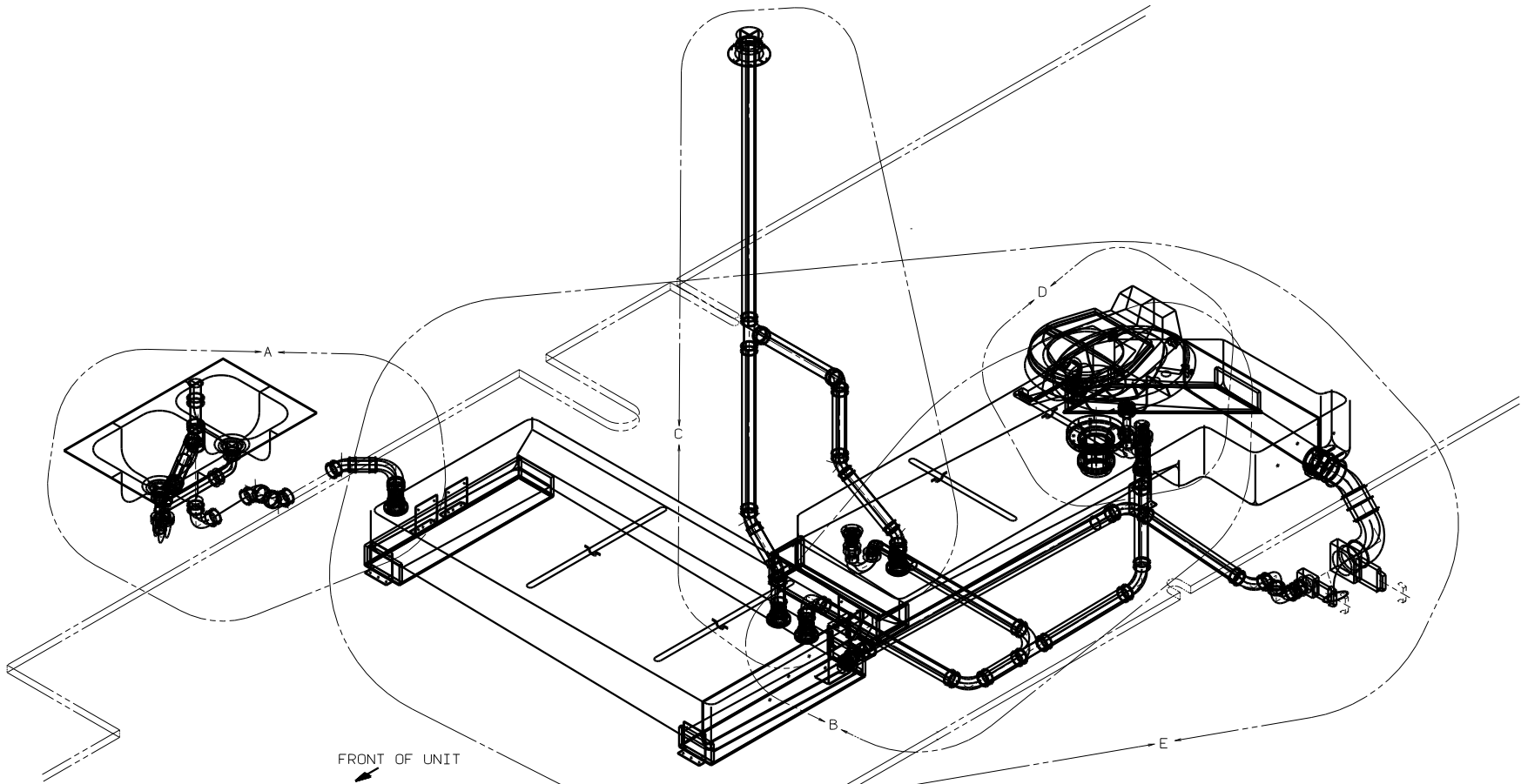


DWG NO	UNIT	---
130312-01	G35C	G
130312-02	F35C	F

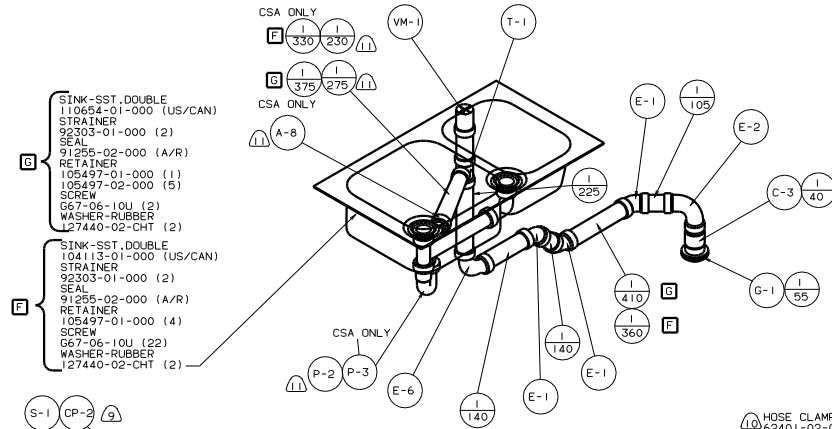


- (2) SECURE PIPES TO CABINET USING WIRE TIE 108046-02-000 AND SCREW G67-10-12U(8).
 (1) NOT USED ON CANADIAN UNITS.
 (10) SECURE VENT TUBES TO FLOOR WITH BRACKET.
 (9) VENT PIPE MUST PROJECT 51 MM MINIMUM AND 63.5 MM MAXIMUM ABOVE ROOF FOR PROPER FIT AND FUNCTION.
8. SEE DRAWING 61607-01-000 FOR INSTALLATION OF GROMMETS.
 7. FOR CANADIAN UNITS EACH HOLDING TANK SHALL HAVE CSA APPROVAL STAMPED NEAR THE IAMPO APPROVAL.
 6. SEAL AROUND SHOWER WITH SILICONE.
 5. EXPOSED PIPE ABOVE ROOF TO BE PAINTED 37163-01-000.
 4. ALL EXTERIOR OPENINGS AROUND PIPE TO BE SEALED WITH 110744-01-000.
 3. ALL PIPE AND FITTINGS TO BE ASSEMBLED WITH SOLVENT 4020-01-000.
 2. SLOPE OF TRAP ARM MUST BE 6 PER 305.
 1. SLOPE OF HORIZONTAL PIPING TO BE 6 PER 305 MINIMUM.

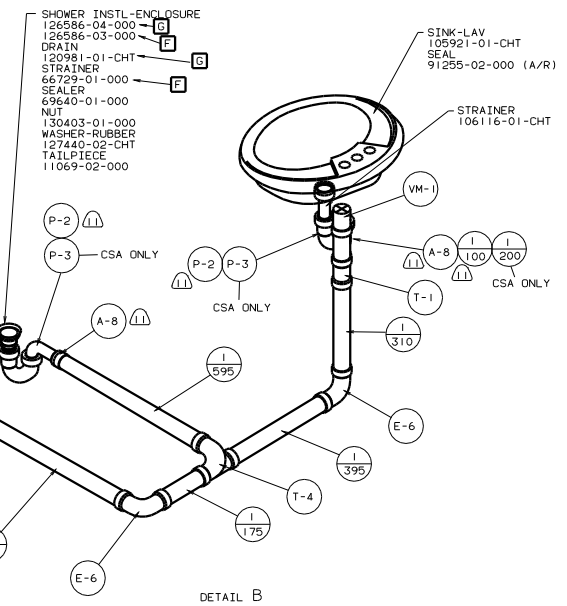
NOTES:

(X-X)
 FOR DRAINAGE CALLOUTS SEE DWG NO. 116229-01-000

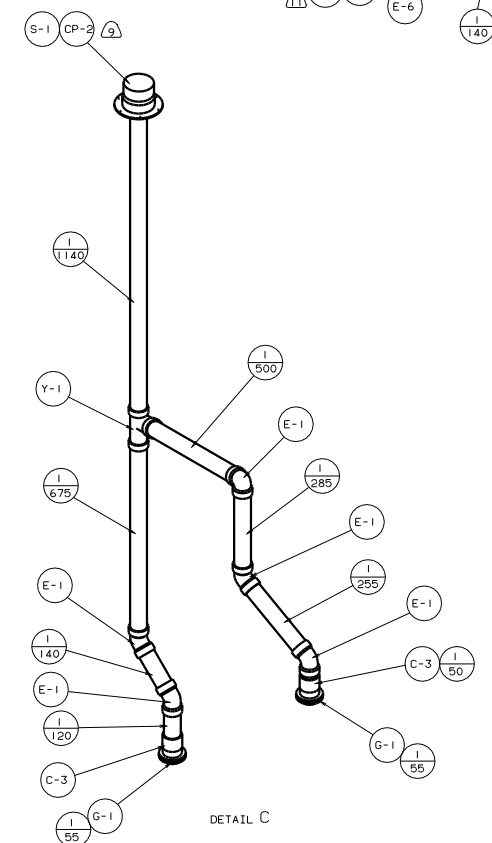
WINNEBAGO			99 F & G35C
QTY	DATE	UNSPECIFIED TOLERANCES ARE	MATERIAL
CHD	DATE	WHOLE DIM (IN)	"F"
PIE	DATE	ONE-PLACE (IN.X1)	"I"
D/E	DATE	TWO-PLACE (IN.XX)	"I"
DATE	DATE	ANGLE	"I"
DATE	DATE	THIRD WHOLE	"I"
DATE	DATE	PROJECTION	"I"
LAYOUT NO. G35C	TITLE: DRAINAGE SYSTEM INSTL		
REV #	SCALE	NOTE	NO NET SCALE CHANGES
ALL DIMENSIONS ARE IN MILLIMETERS	SHEET 1 OF 4	FIG NO	130312



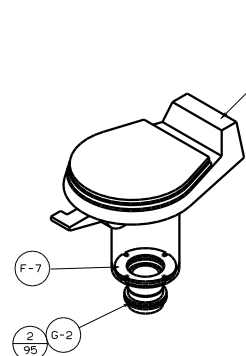
DETAIL A



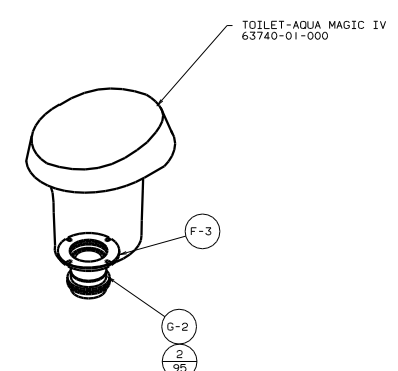
DETAIL B



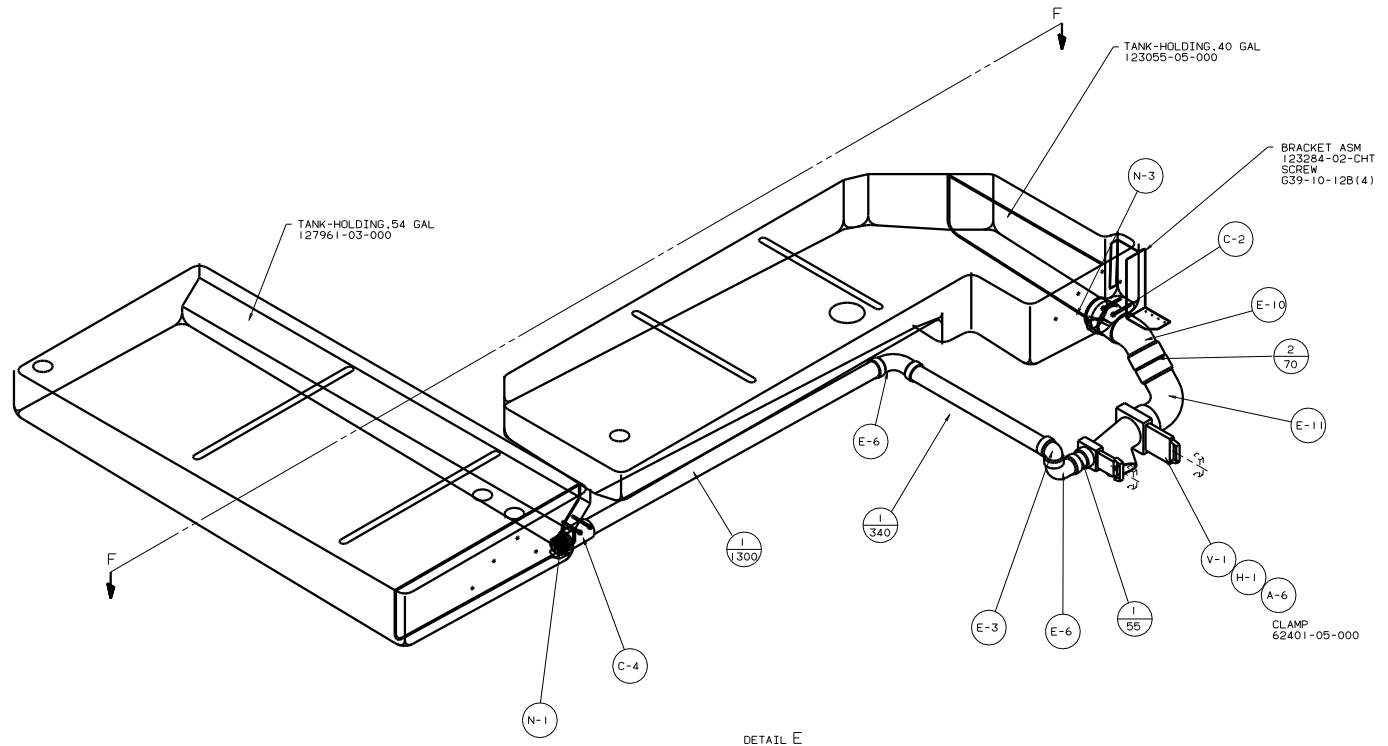
DETAIL C



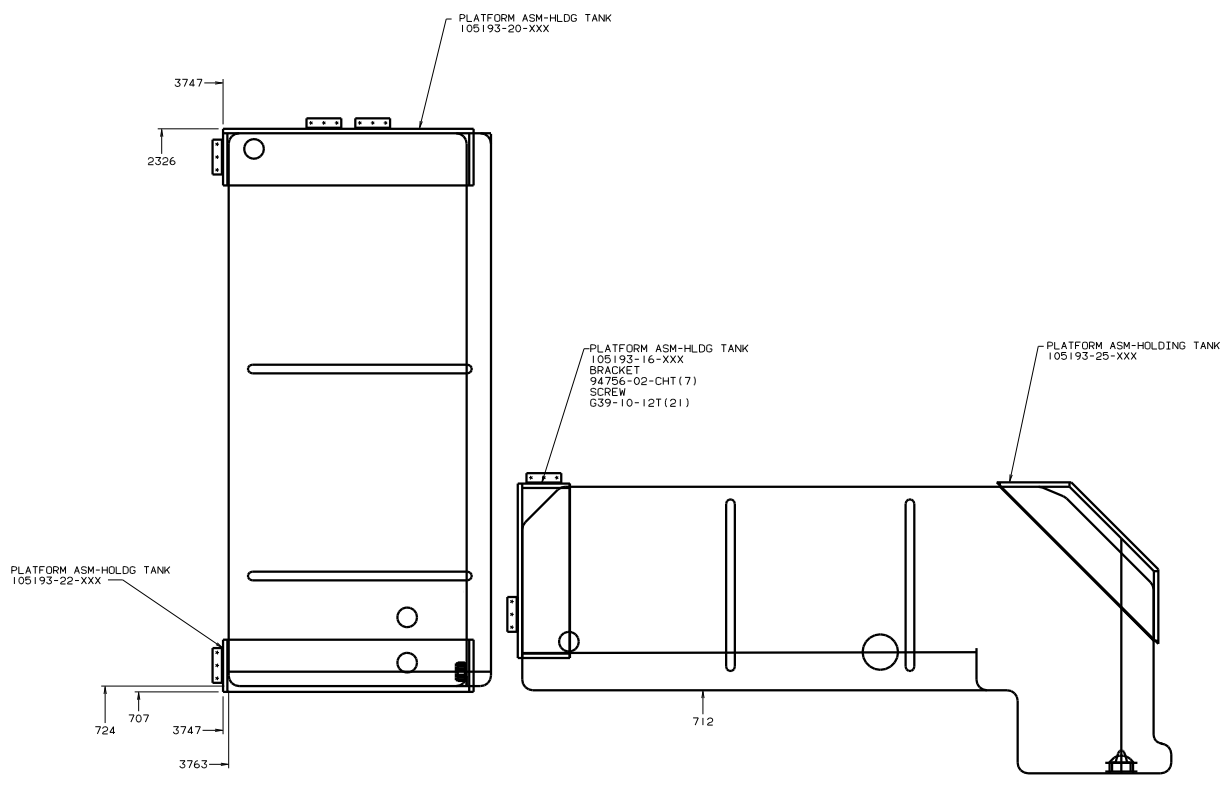
DETAIL D



DETAIL D



DETAIL E



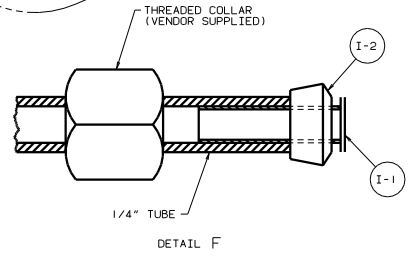
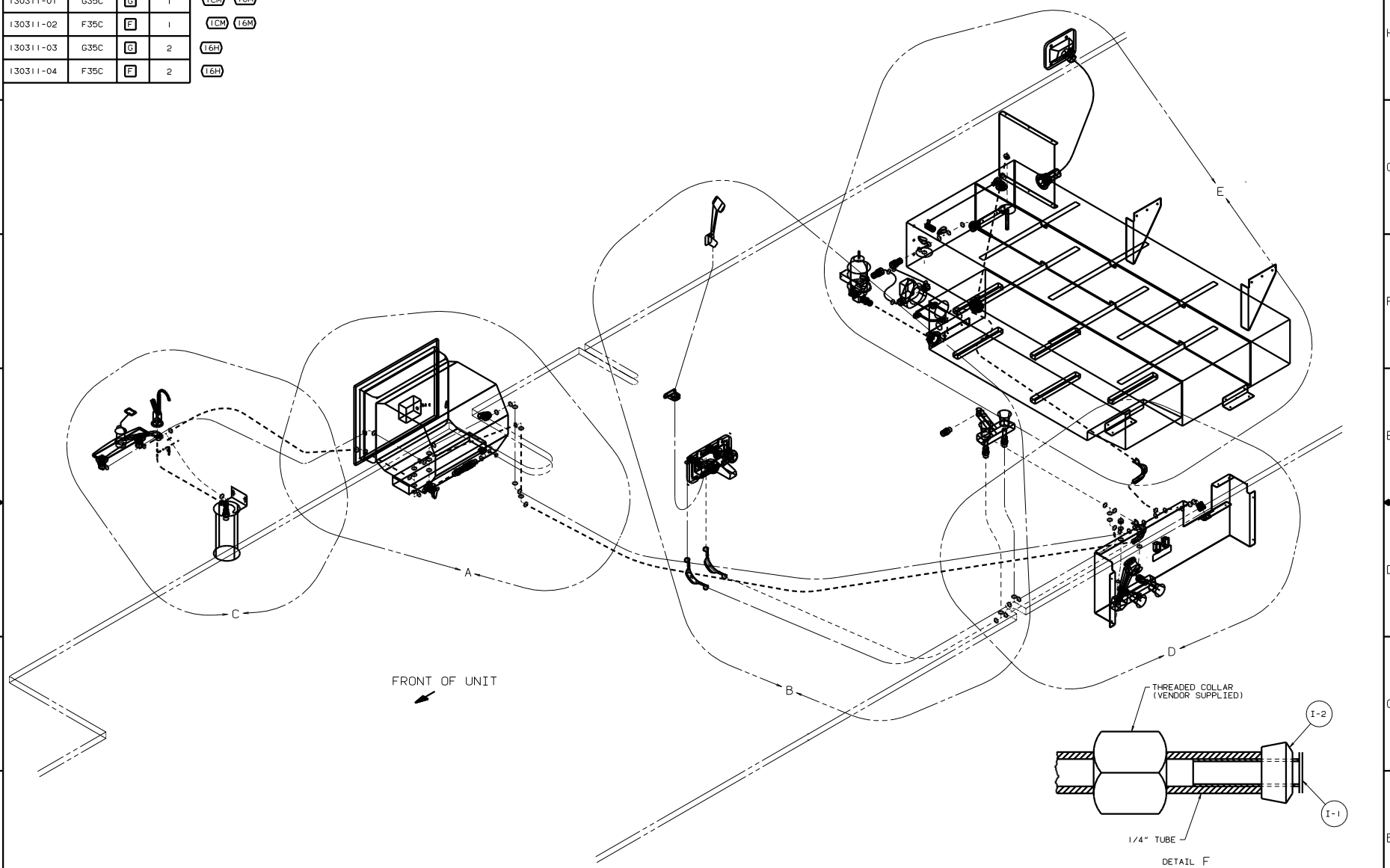
VIEW F-F

99 F & G35C

TITLE: DRAINAGE SYSTEM INSTL	
DATE: 11/11/05	FIG. NO: 130312
SHEET 4 OF 4	

DWG NO	UNIT	----	SHEET
130311-01	G35C	G	1
130311-02	F35C	F	1
130311-03	G35C	G	2
130311-04	F35C	F	2

(TCM) (16M)
 (TCM) (16M)
 (16M)
 (16M)



- NOTES:
1. PLASTIC FITTINGS TO BE SEALED WITH SEALANT 84456-01-000.
 2. TUBING TO BE INSTALLED WITH SUFFICIENT SLOPE TO PROVIDE DRAINAGE TO NEAREST VALVE.
 3. ALL TUBING TO BE SECURED AT 1200 INTERVALS MAXIMUM WITH CLIP 91951-01-000 AND SCREW G13-06-16U.
- CALLOUTS:
1. LOCATE CUTOUT TO SUPPORT WATER HEATER.
 2. CLAMP MUST BE ON BARBS.
 3. USE WITH WATER PURIFIER.
 4. 15U REFRIGERATOR WITH ICEMAKER.
 5. USE DETAIL "F" IN THIS AREA.

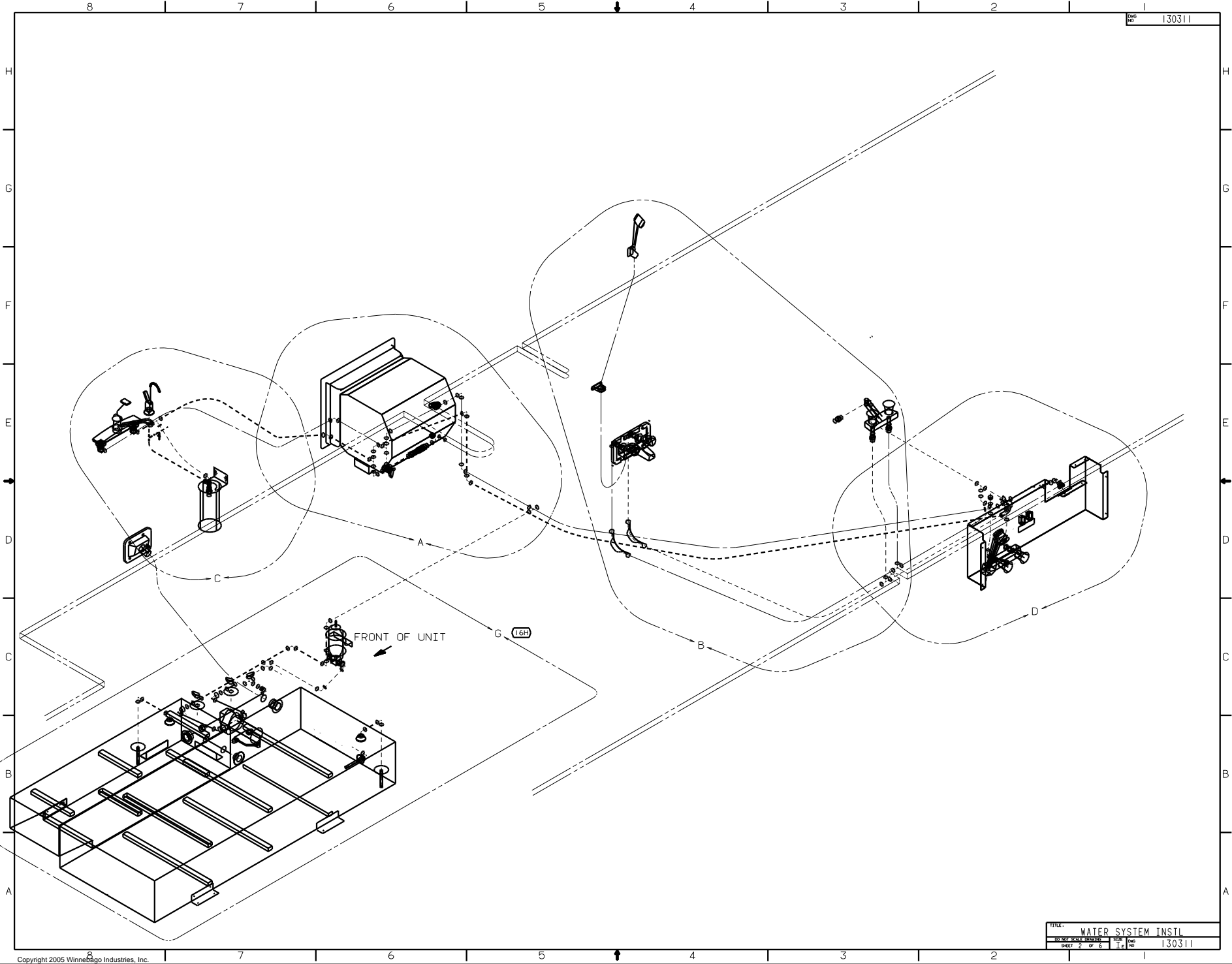
(TCM) FORD CHASSIS 20,500#/V10 ENG
 (16M) FORD CHASSIS 18,000#/V10 ENG
 (TCM) CHEVY CHASSIS 16,500 LB.GVWR

WINNEBAGO 99 G35C

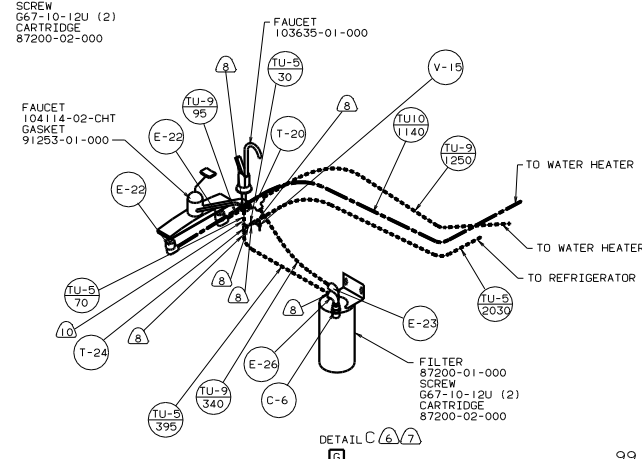
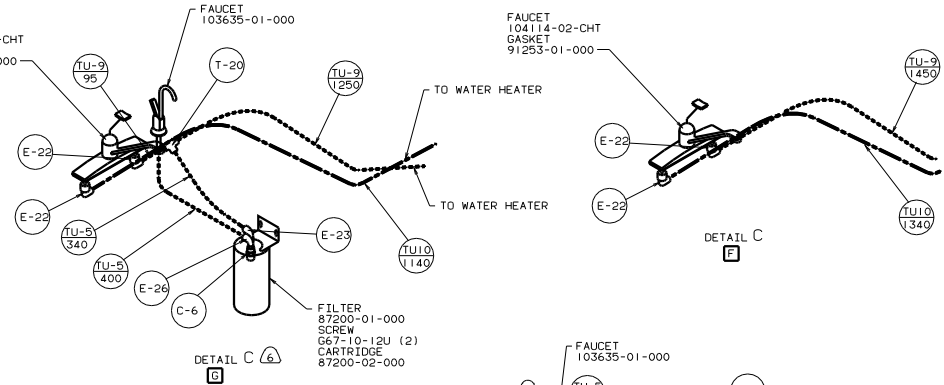
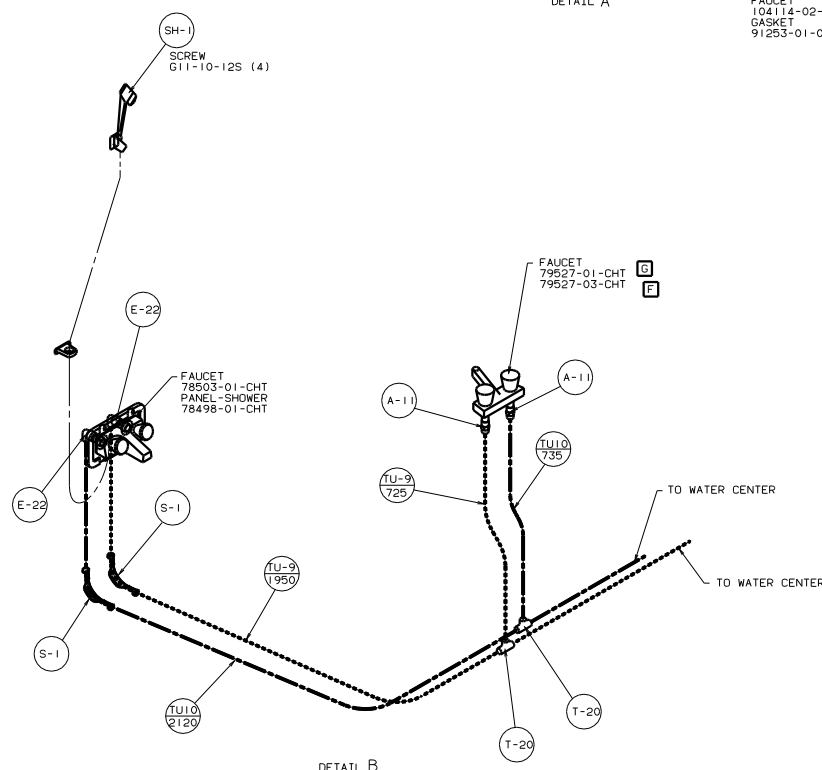
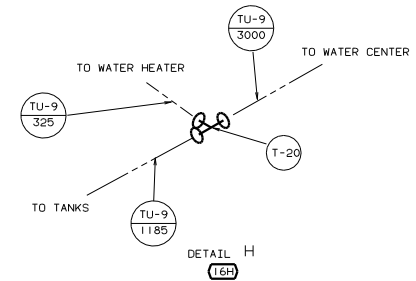
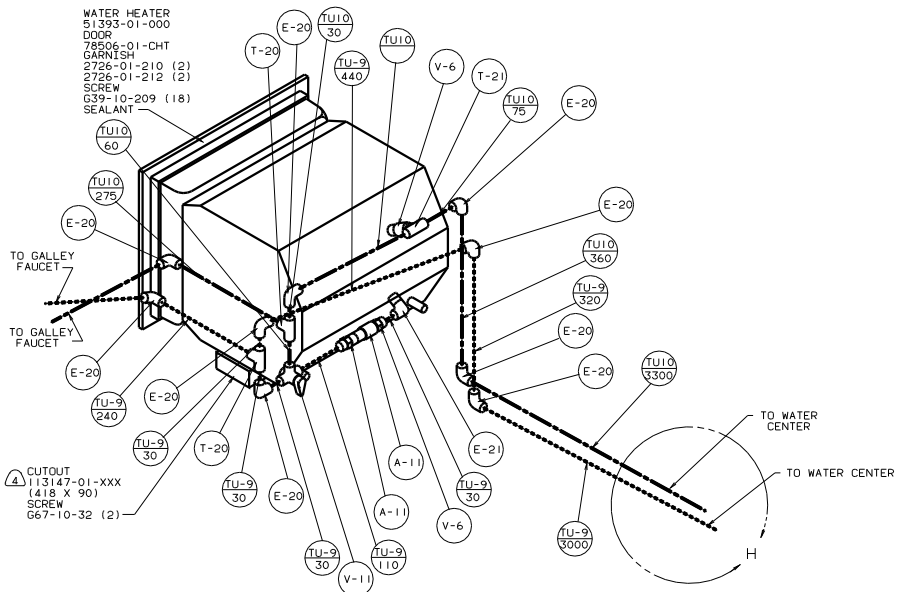
DATE	DESCRIPTION	BY	CHKD

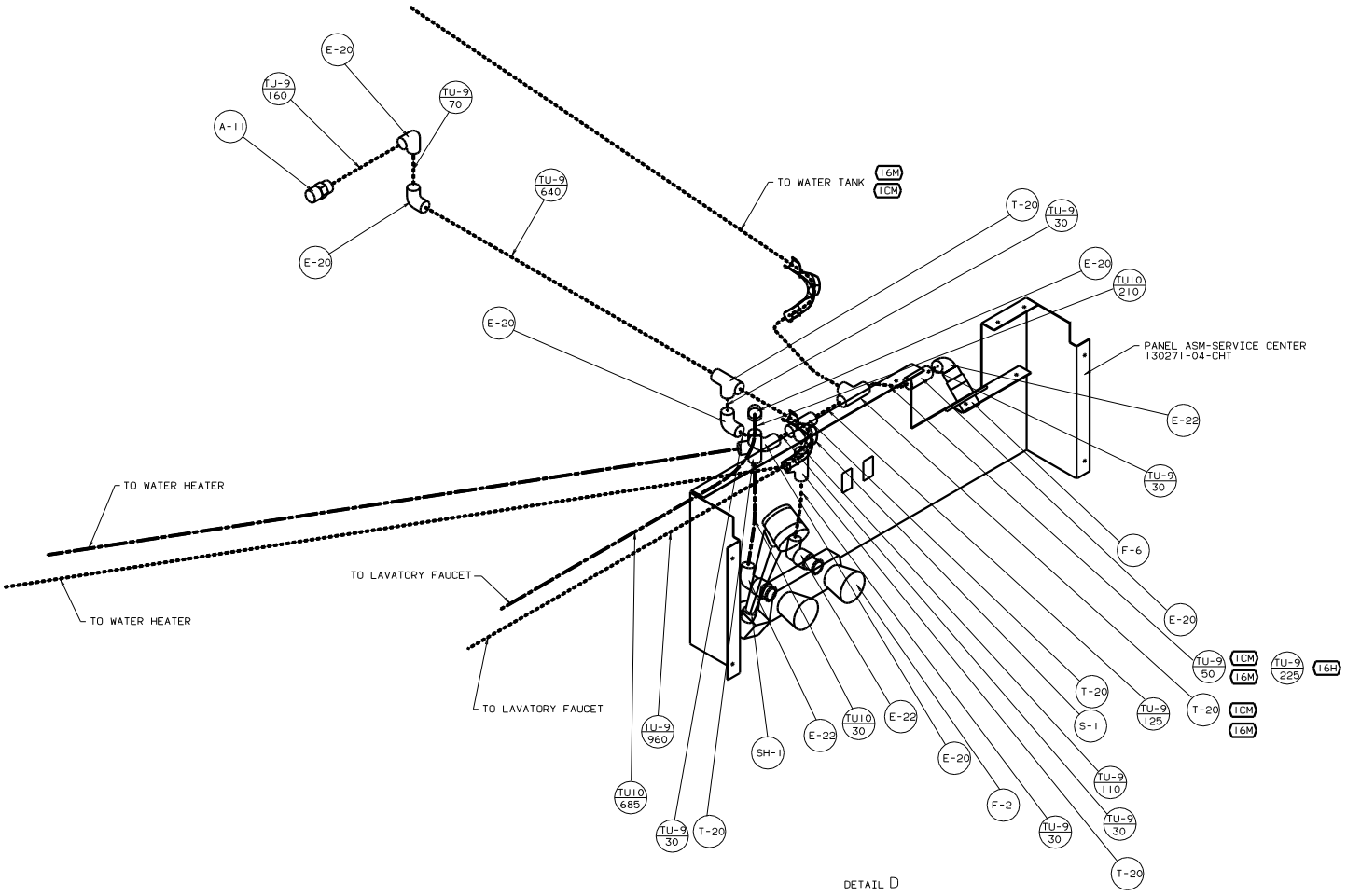
LAYOUT NO: G35C TITLE: WATER SYSTEM INSTL
 DIA # SCALE: NONE 200 NET SCALE: 1:1 SHEET 1 OF 6
 ALL DIMENSIONS ARE IN MILLIMETERS

REF: 126269-L 1

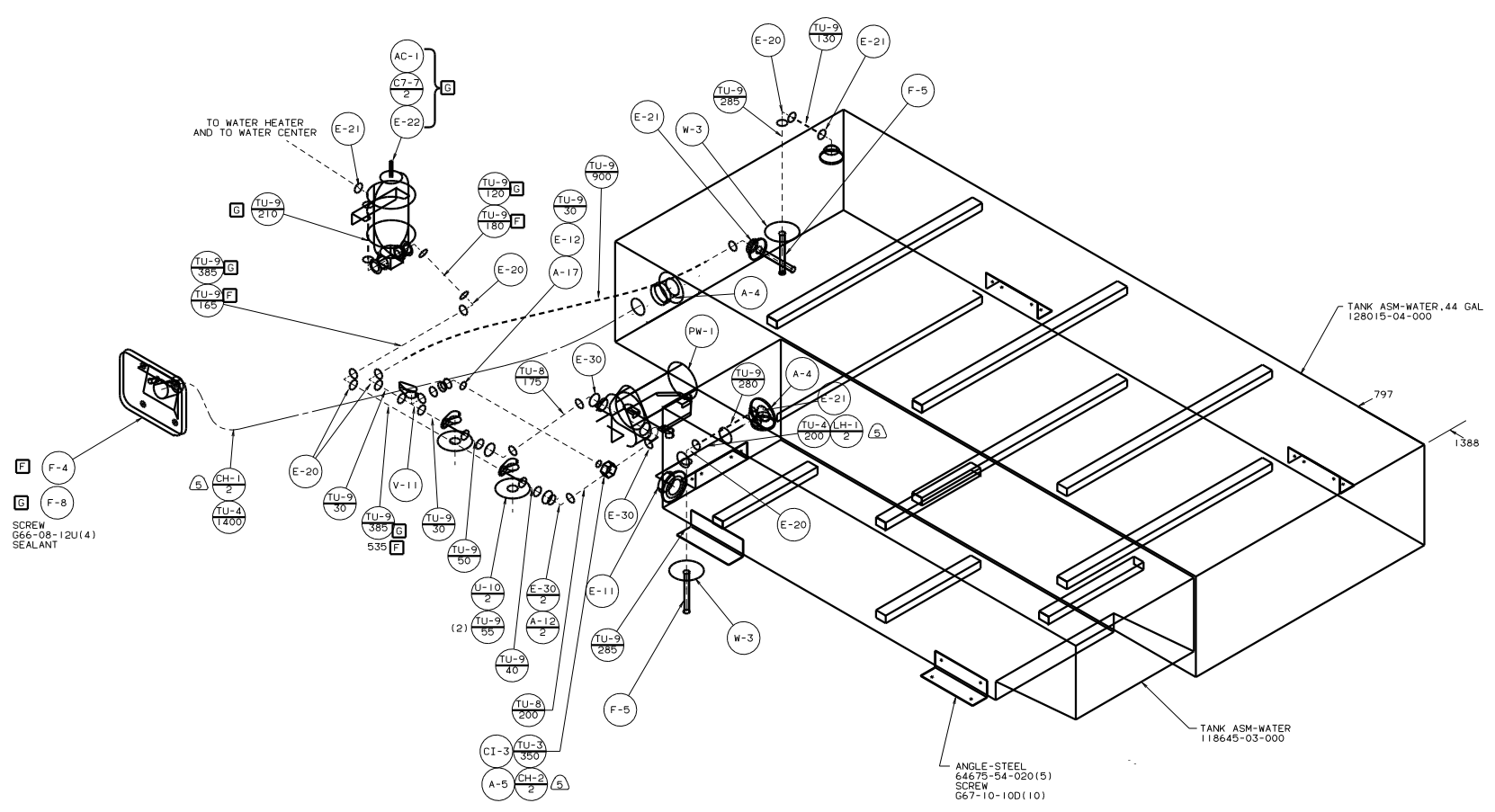


TITLE: WATER SYSTEM INSTL	
DATE: 1/16/05	REV: 1.0
SHEET: 2 of 6	NO: 130311





DETAIL D



99 G35C,F35C

TITLE		WATER SYSTEM INSTL	
30	NO	1	REV
6	OF 6	1	REV
		130311	