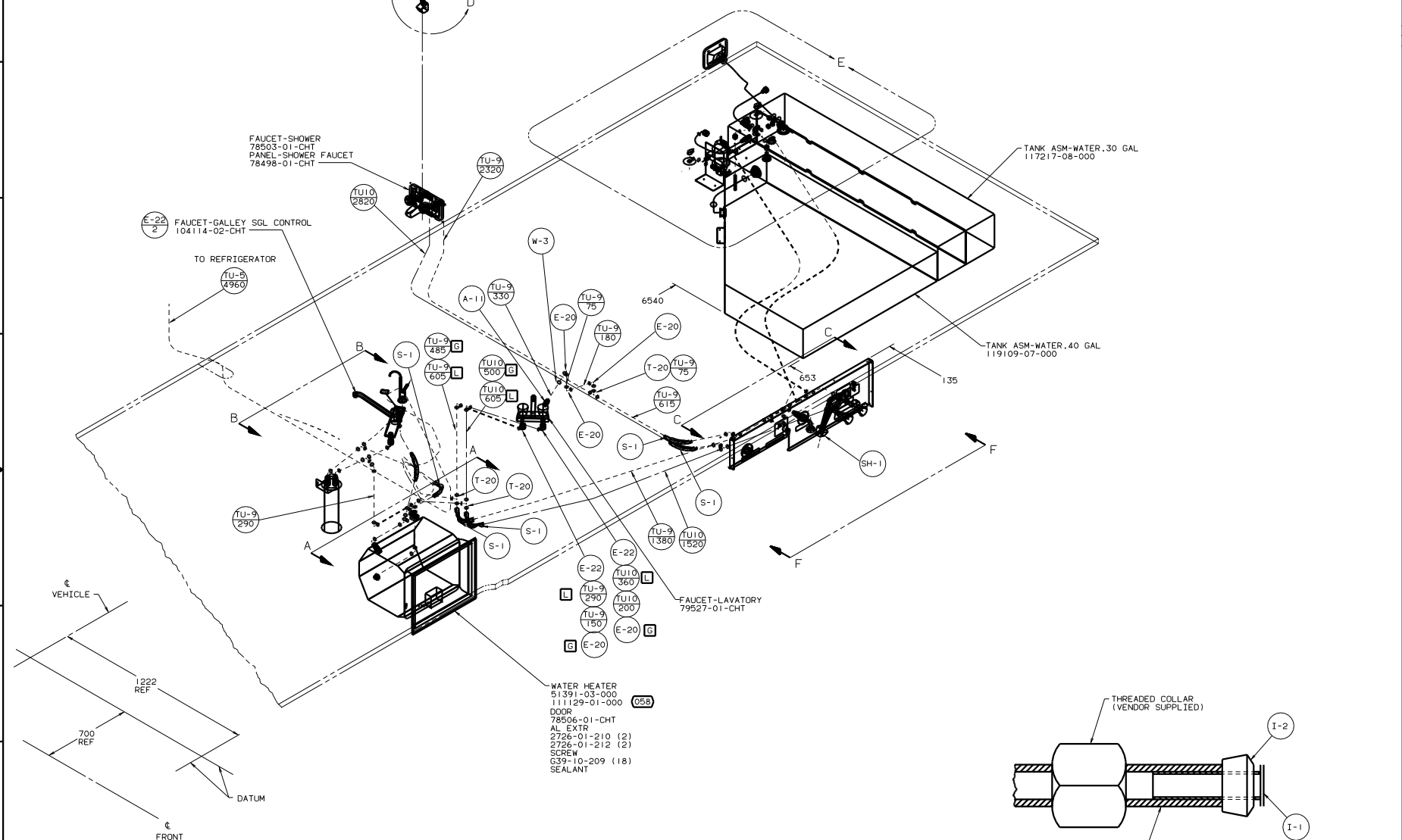


VIEW A-A

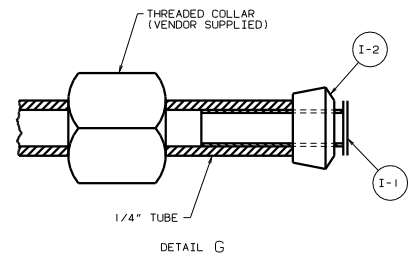
99 G & L33B

TITLE: DRAINAGE SYSTEM INSIL		FIG. NO.	129208
DATE: 2005	DRAWN BY: [blank]	CHECKED BY: [blank]	DATE: [blank]
SHEET 2 OF 2		JOB NO. [blank]	

DWG NO	UNIT	---
129565-01	L33B	L
129565-02	G33B	G



1. PLASTIC FITTINGS TO BE SEALED WITH SEALANT 84456-01-000.
2. TUBING TO BE INSTALLED WITH SUFFICIENT SLOPE TO PROVIDE DRAINAGE TO NEAREST VALVE.
3. ALL TUBING TO BE SECURED AT 1200 INTERVALS MAXIMUM WITH CLAMP 10495-01-000 OR CLIP 91951-01-000 AND SCREW G67-10-12B.
4. 15U- REFRIGERATOR WITH ICEMAKER.
5. USE WITH REFRIGERATOR WITHOUT ICEMAKER.
6. USE DETAIL "G" IN THIS AREA.
7. USE WITH 53J.
8. FLUSHING SYSTEM REQUIRES 125697-06-000 INSTRUCTION SHEET.



FOR WATER CALLOUTS SEE DWG NO. 116230-01-000

LEGEND

HOT

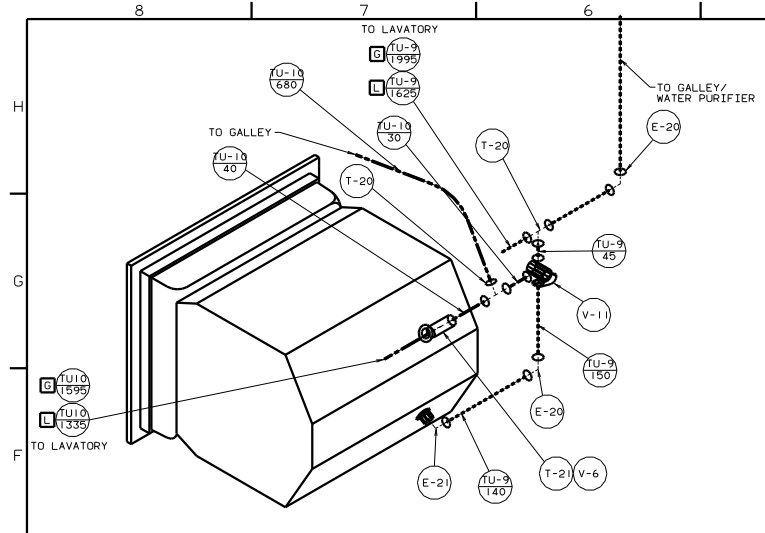
COLD

058 EUROPEAN EXPORT PREP-PARTIAL

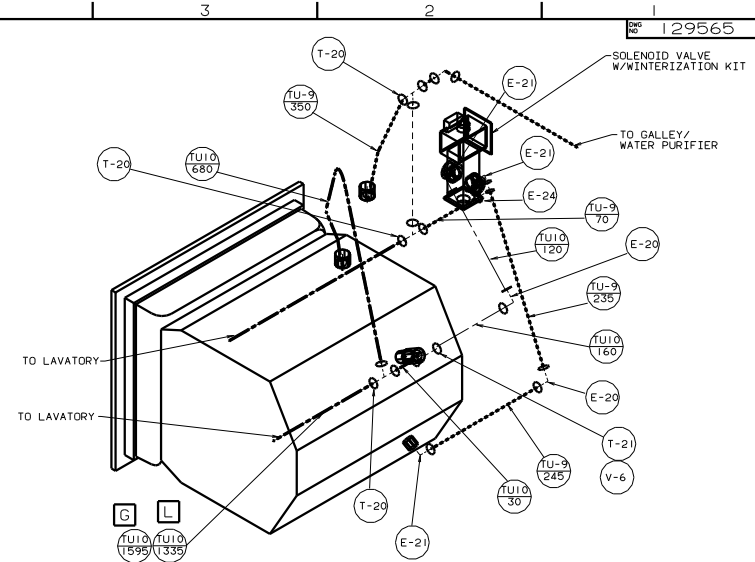
WINNEBAGO 99 L33B

DATE	UNDESIGNED TOLERANCES ARE:	MATERIAL
DATE	HALF DIM (X.X)	
DATE	ONE PLACE (X.XX)	
DATE	TWO PLACE (X.XXX)	
DATE	THREE PLACE (X.XXXX)	
DATE	THREE PLACE (X.XXX)	

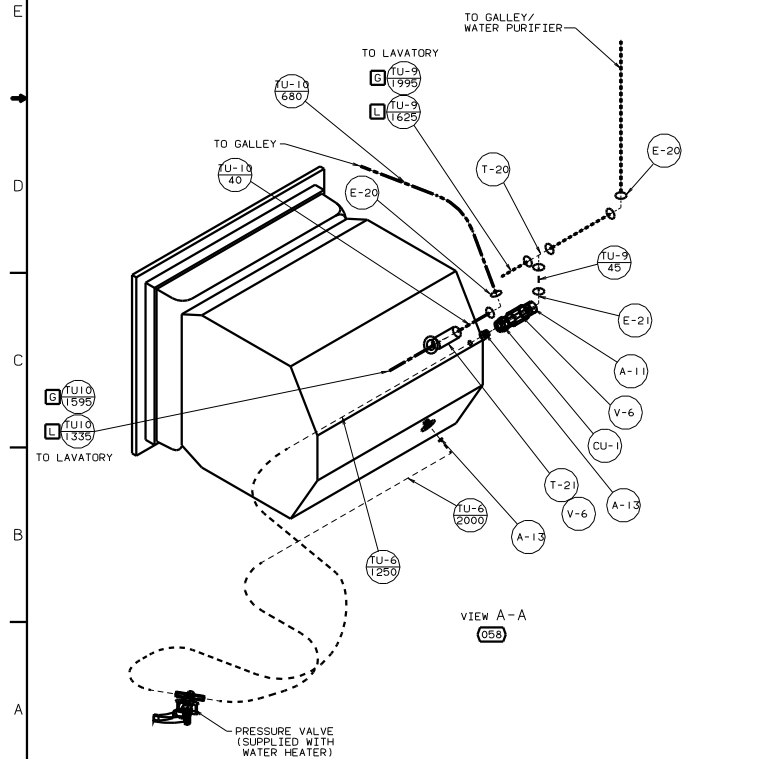
LANE: L33W0 TITLE: WATER SYSTEM INSTL
 DIA # SCALE: NONE TO THE SCALE SHOWN THE DIA #
 ALL DIMENSIONS ARE IN MILLIMETERS SHEET 1 OF 4 129565



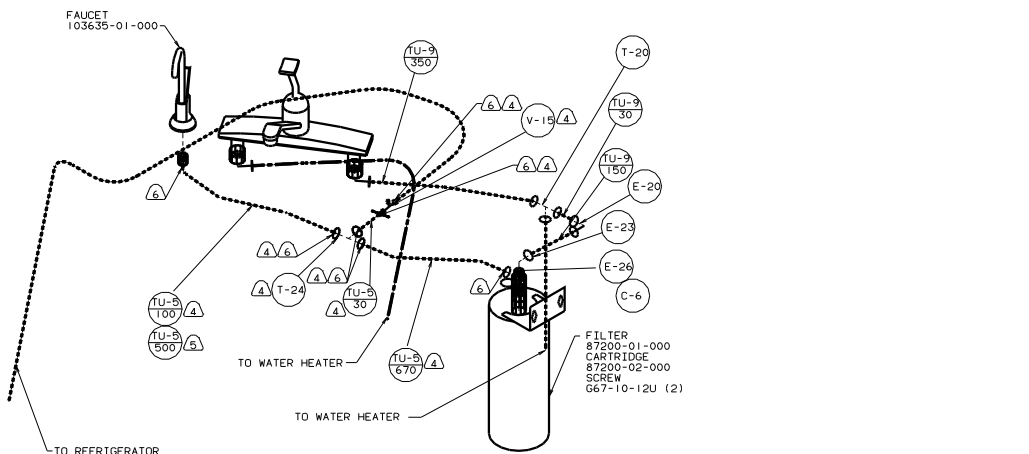
VIEW A-A
53J-WATER HEATER BY-PASS VALVE



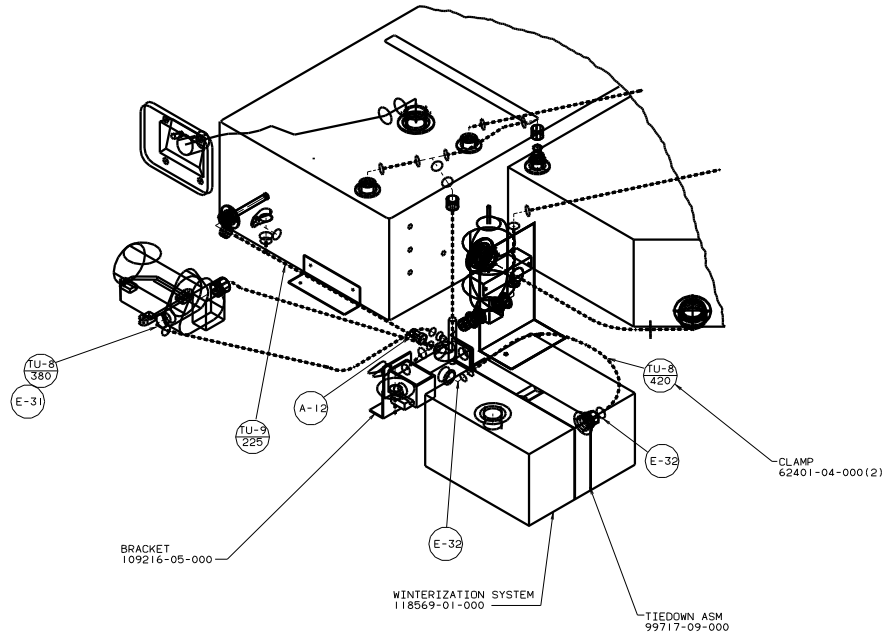
VIEW A-A
530-WATER HEATER WINTER AUTOMATIC



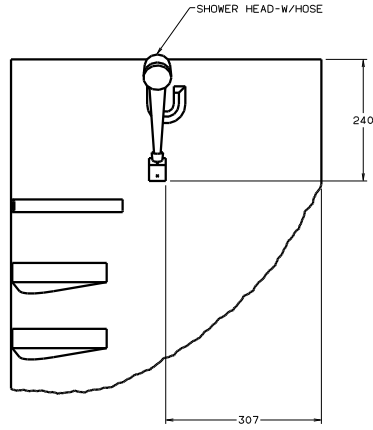
VIEW A-A
05B



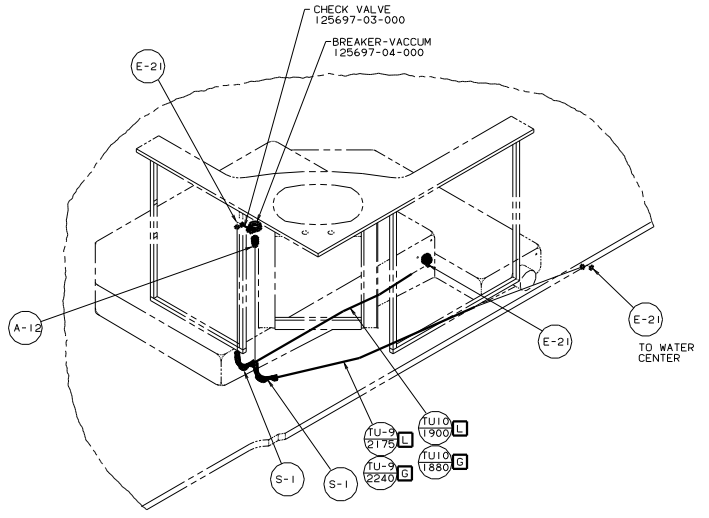
VIEW B-B
29B-WATER PURIFIER



DETAIL E
530- WINTERIZING KIT [L]



DETAIL D



FLUSHING SYSTEM

99 G33B
99 L33B

TITLE:		WATER SYSTEM INSTL	
DO NOT SCALE DIMENSIONS	DATE:	REV:	NO:
SHEET 4 OF 4	1.6		129565