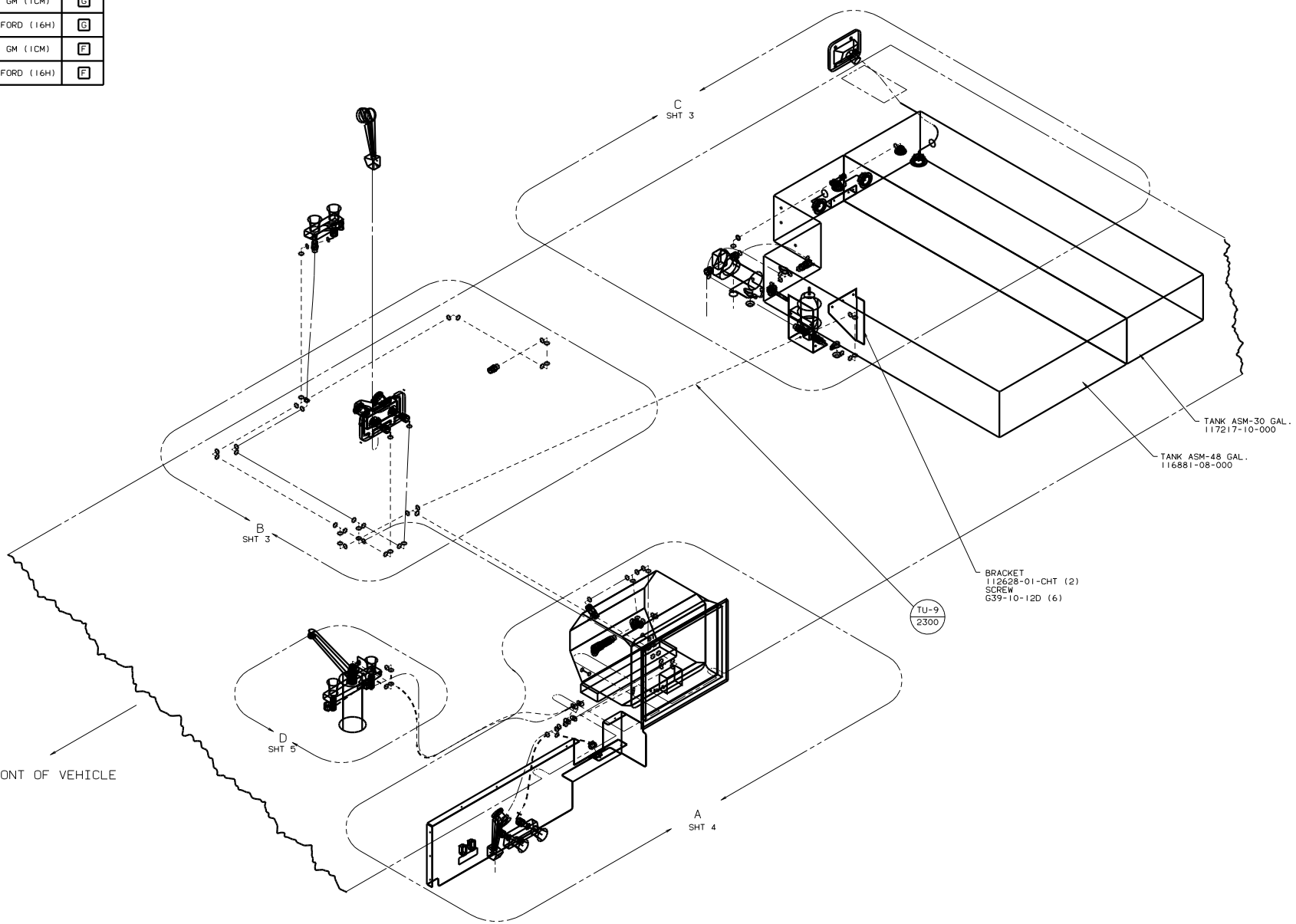




DWG NO	SHT	CHASSIS	----
129091-01	1	GM (1CM)	G
129091-02	2	FORD (16H)	G
129091-03	1	GM (1CM)	F
129091-04	2	FORD (16H)	F



TANK ASM-30 GAL.  
117217-10-000

TANK ASM-48 GAL.  
116881-08-000

BRACKET  
112628-01-CHT (2)  
SCREW  
G39-10-12D (6)

TU-9  
2300

B  
SHT 3

C  
SHT 3

D  
SHT 5

A  
SHT 4

FRONT OF VEHICLE

6. 501 WATER PURIFIER W/O.
5. 298 WATER PURIFIER.RBS.
4. CLAMP MUST BE ON BARBS.
3. ALL TUBING TO BE SECURED AT 1200 INTERVALS MAX WITH CLAMP 10495-01-000 OR CLIP 91951-01-000 AND SCREW G67-10-12B.
2. TUBING TO BE INSTALLED WITH SUFFICIENT SLOPE TO PROVIDE DRAINAGE TO THE NEAREST VALVE.
1. PLASTIC FITTINGS TO BE SEALED WITH SEALANT 84456-01-000.

NOTES:

CHEVY CHASSIS

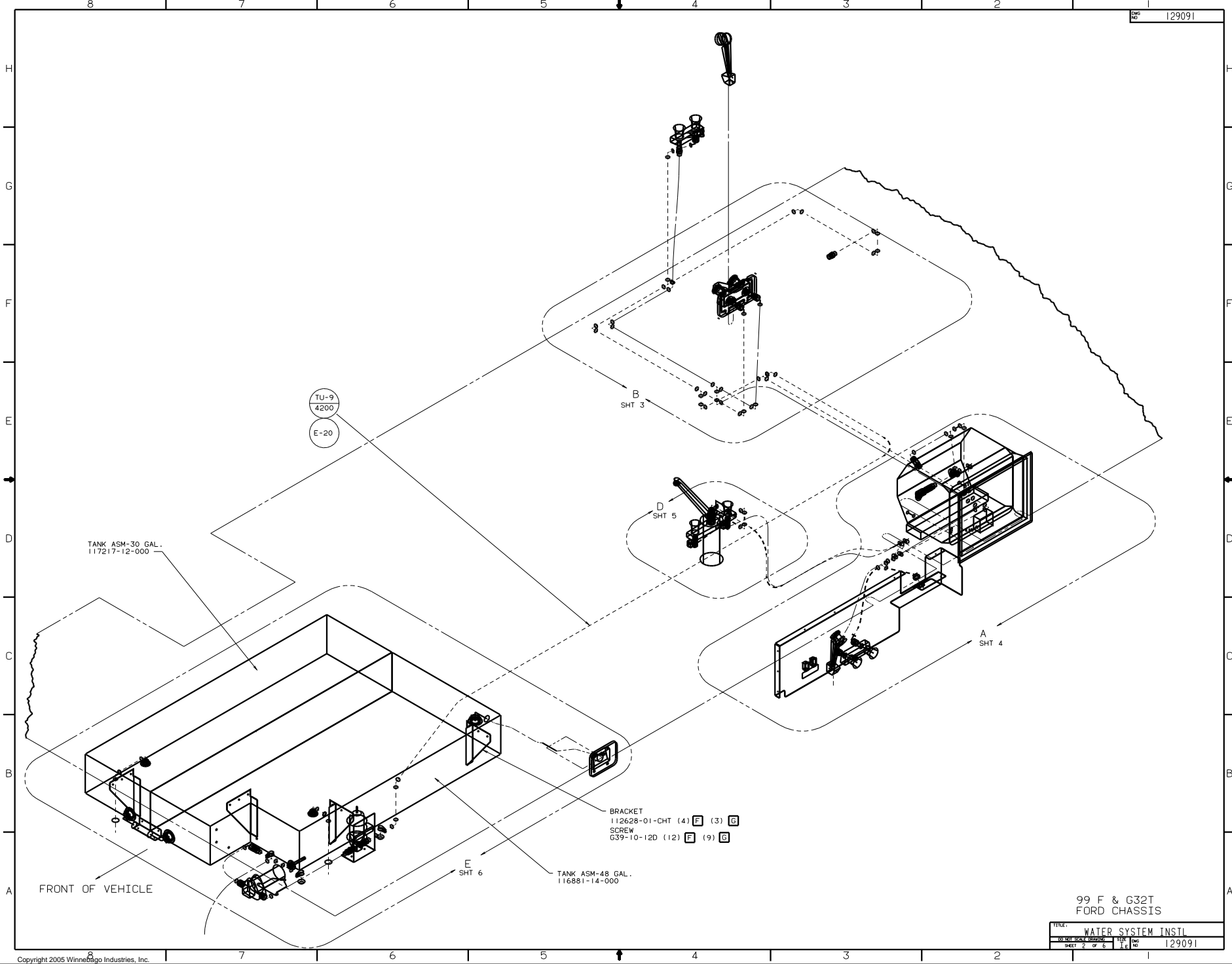
WINNEBAGO 99 F & G32T

LEGEND	
HOT	—————
COLD	••••••••

(X-X) FOR WATER CALLOUTS SEE DWG NO. 116230-01-000

DATE	DATE	UNSPECIFIED TOLERANCES ARE:	MATERIAL
DATE	DATE	WHOLE DIM (IN)	F
DATE	DATE	ONE-PLACE (IN.X1)	.
DATE	DATE	TWO-PLACE (IN.XXX)	.00
DATE	DATE	THREE-PLACE (IN.XXX)	.000
DATE	DATE	THREE-PLACE (IN.XXX)	.000
DATE	DATE	THREE-PLACE (IN.XXX)	.000

LANE# G32T TITLE: WATER SYSTEM INSTL  
 DIA # SCALE: NONE 30-90 SCALE: NONE DIA #  
 ALL DIMENSIONS ARE IN MILLIMETERS SHEET 1 OF 6 1:1 129091



TANK ASM-30 GAL.  
117217-12-000

TU-9  
4200  
E-20

B  
SHT 3

D  
SHT 5

A  
SHT 4

E  
SHT 6

TANK ASM-48 GAL.  
116891-14-000

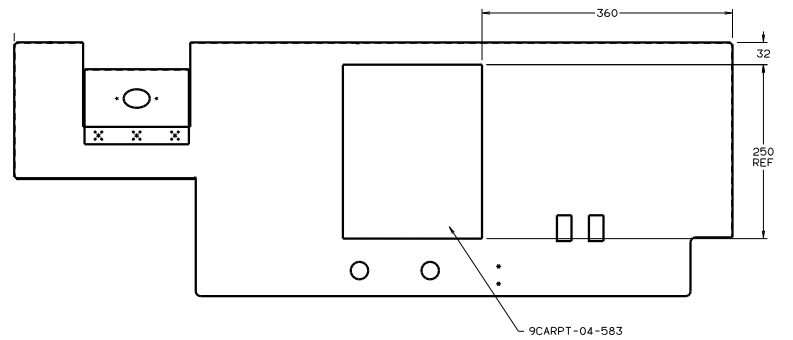
BRACKET  
112628-01-CHT (4) F (3) G  
SCREW  
639-10-12D (12) F (9) G

FRONT OF VEHICLE

99 F & G32T  
FORD CHASSIS

TITLE:		WATER SYSTEM INSTL	
TO SHEET NO.	REV	BY	NO
SHEET 2 OF 6			129091





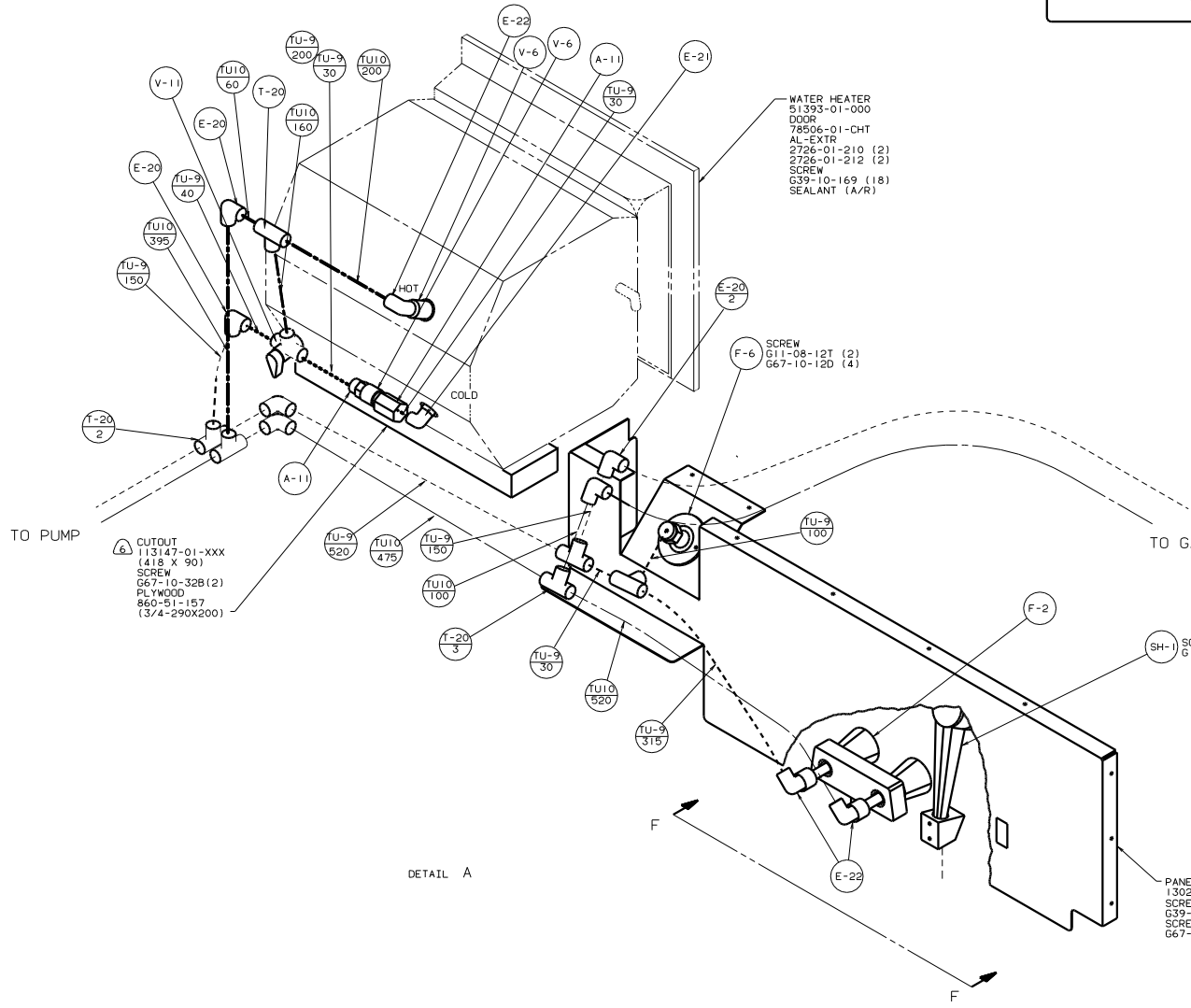
VIEW F-F

- WATER HEATER 51393-01-000
- DOOR 78506-01-CHT
- AL-EXTR 2726-01-210 (2)
- 2726-01-212 (2)
- SCREW G39-10-169 (18)
- SEALANT (A/R)

- SCREW F-6 G11-08-12T (2)
- G67-10-12D (4)

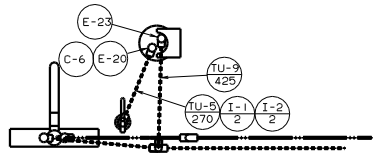
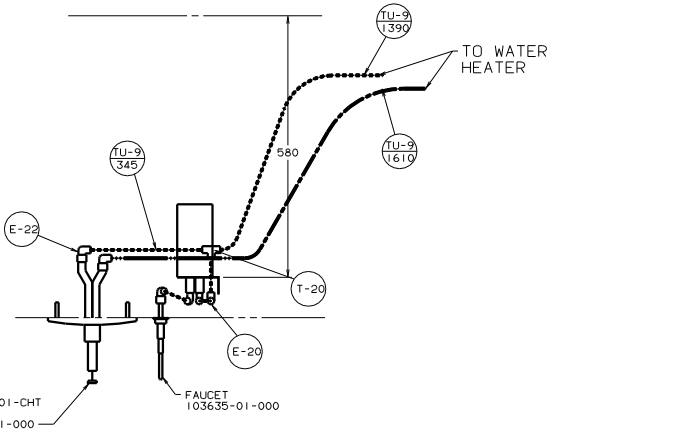
- SCREW SH-1 G11-08-12R (2)

- PANEL ASM-SERVICE CENTER 130271-01-CHT
- SCREW G39-18-12T (6)
- SCREW G67-10-12D (6)

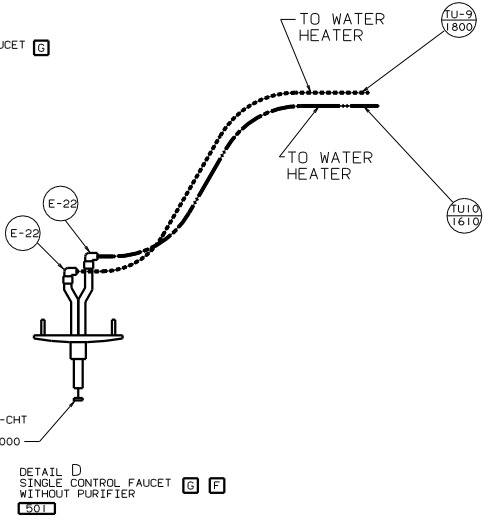


- CUTOUT 113147-01-XXX (418 X 90)
- SCREW G67-10-328 (2)
- PLYWOOD 860-51-157 (3/4-290X200)

DETAIL A



DETAIL D  
SINGLE CONTROL FAUCET WITH PURIFIER  
298



DETAIL D  
SINGLE CONTROL FAUCET WITHOUT PURIFIER  
501

