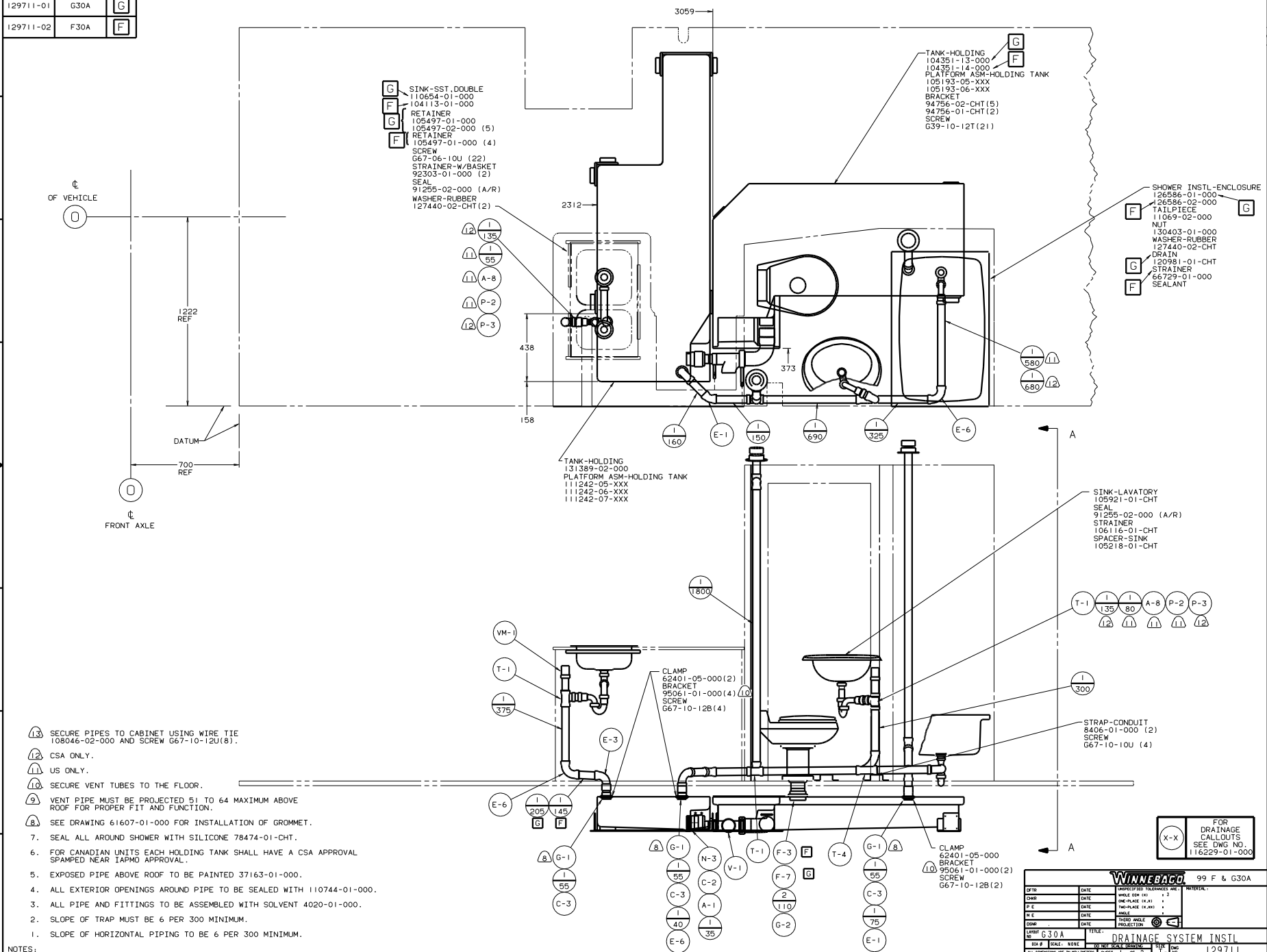


DWG NO	---	---
129711-01	G30A	<b>G</b>
129711-02	F30A	<b>F</b>



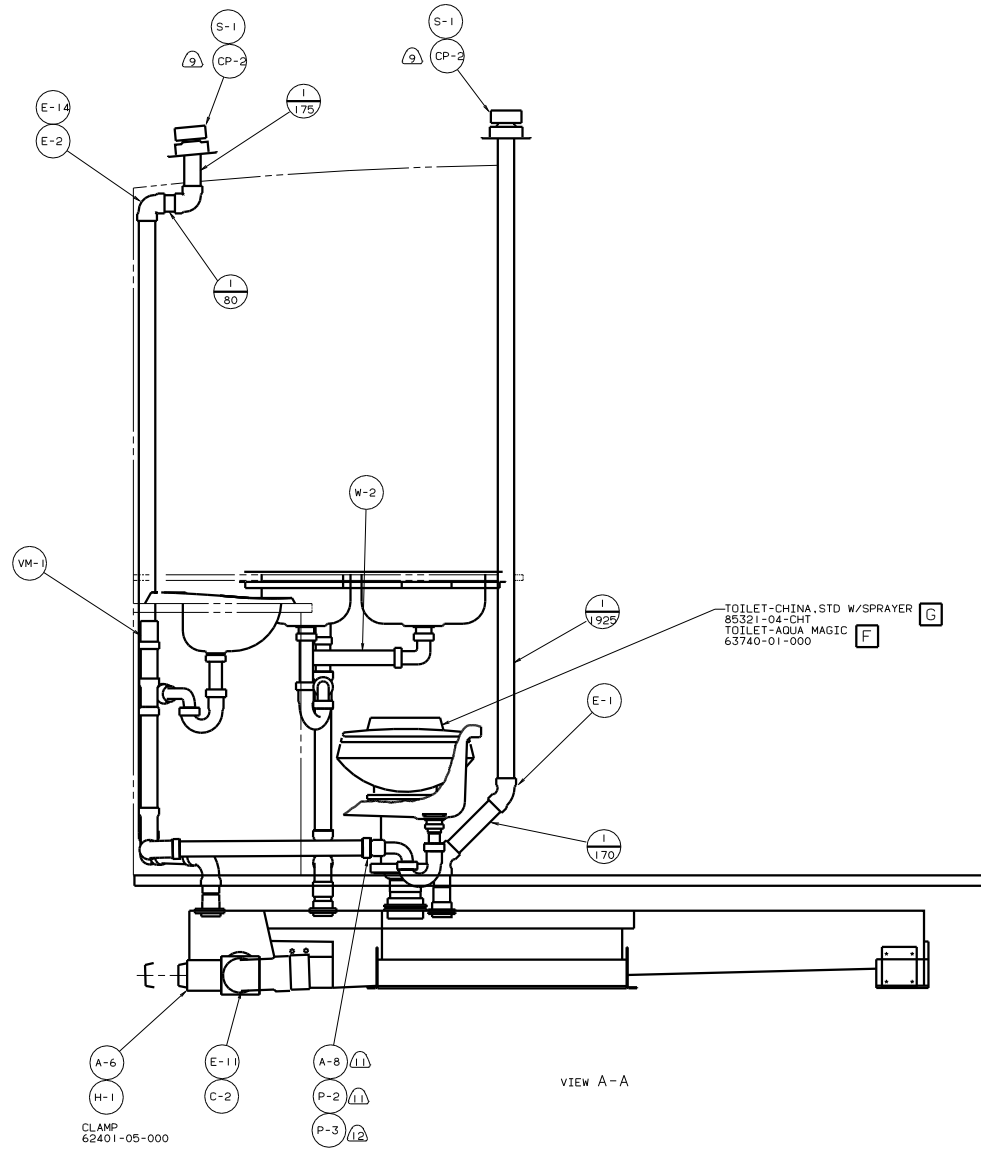
- NOTES:**
- SECURE PIPES TO CABINET USING WIRE TIE 108046-02-000 AND SCREW G67-10-12U(8).
  - CSA ONLY.
  - US ONLY.
  - SECURE VENT TUBES TO THE FLOOR.
  - VENT PIPE MUST BE PROJECTED 51 TO 64 MAXIMUM ABOVE ROOF FOR PROPER FIT AND FUNCTION.
  - SEE DRAWING 61607-01-000 FOR INSTALLATION OF GROMMET.
  - SEAL ALL AROUND SHOWER WITH SILICONE 78474-01-CHT.
  - FOR CANADIAN UNITS EACH HOLDING TANK SHALL HAVE A CSA APPROVAL STAMPED NEAR IAPMO APPROVAL.
  - EXPOSED PIPE ABOVE ROOF TO BE PAINTED 37163-01-000.
  - ALL EXTERIOR OPENINGS AROUND PIPE TO BE SEALED WITH 110744-01-000.
  - ALL PIPE AND FITTINGS TO BE ASSEMBLED WITH SOLVENT 4020-01-000.
  - SLOPE OF TRAP MUST BE 6 PER 300 MINIMUM.
  - SLOPE OF HORIZONTAL PIPING TO BE 6 PER 300 MINIMUM.

FOR DRAINAGE CALLOUTS SEE DWG NO. 116229-01-000

**WINNEBAGO** 99 F & G30A

DATE	UNDESIGNED PROLOGUES ARE:	MATERIAL
DATE	WHOLE OR IN	
DATE	ONE-PLACE (R, A1)	
DATE	TWO-PLACE (R, A2)	
DATE	MISC.	
DATE	INDIC. W/OLE	
DATE	PROTECTOR	

DWG NO. G30A  
 TITLE: DRAINAGE SYSTEM INSTL  
 SHEET 1 OF 2  
 REF: 126422G 129711

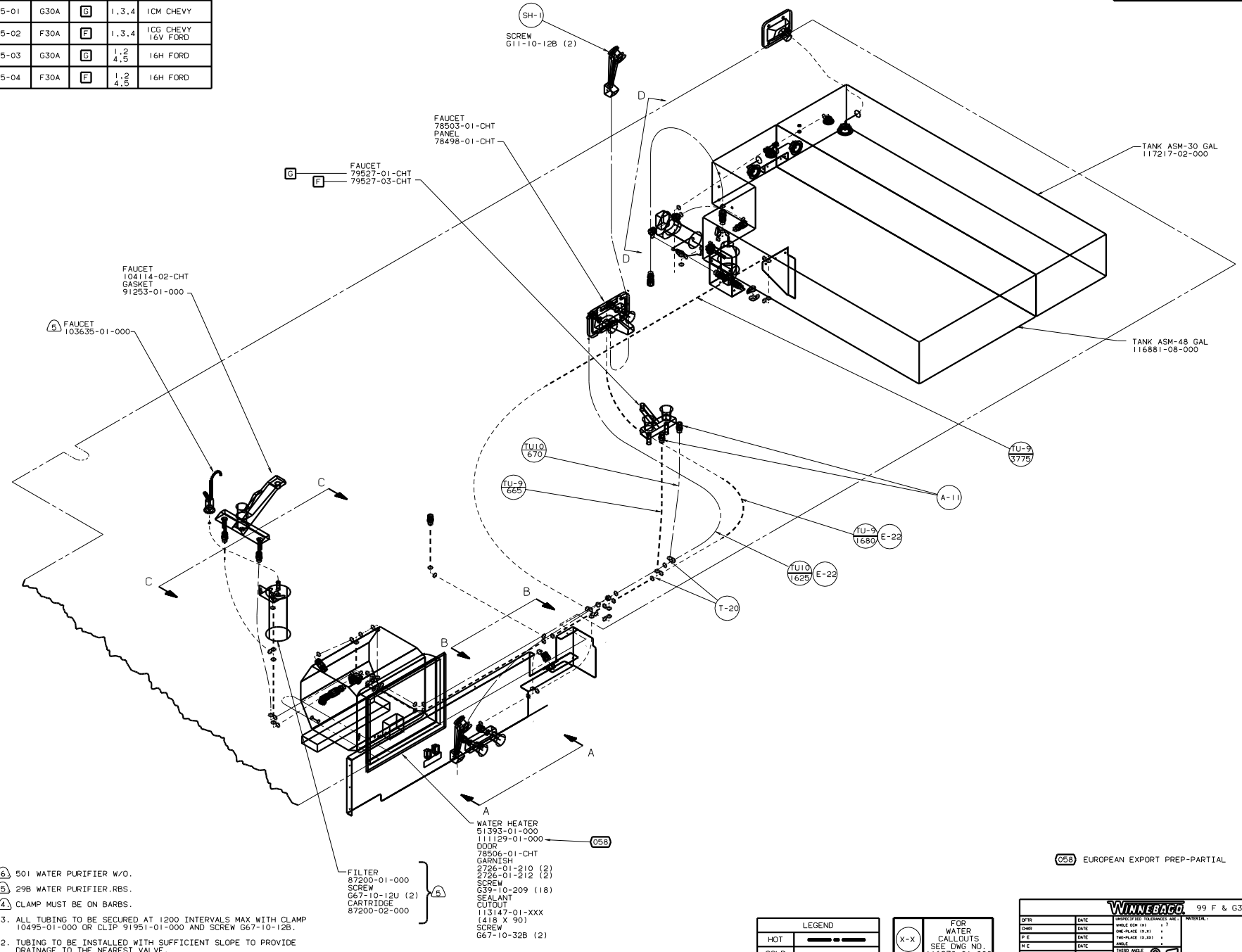


99 F & G30A

TITLE: DRAINAGE SYSTEM INSTL		DWG NO: 129711	
NO. OF SHEETS	SHEET NO.	REV.	DATE
2	2	1	E

DWG NO	----	----	SHEET	
129665-01	G30A	G	1, 3, 4	1CM CHEVY
129665-02	F30A	F	1, 3, 4	1CG CHEVY 16V FORD
129665-03	G30A	G	1, 2 4, 5	16H FORD
129665-04	F30A	F	1, 2 4, 5	16H FORD

RELEASE BY DATE DTG NO 129665  
 REF ZONE REVISION RECORD DATE EPR-9912



- Ⓐ 501 WATER PURIFIER W/O.
- Ⓑ 29B WATER PURIFIER.RBS.
- Ⓒ CLAMP MUST BE ON BARBS.

3. ALL TUBING TO BE SECURED AT 1200 INTERVALS MAX WITH CLAMP 10495-01-000 OR CLIP 91951-01-000 AND SCREW G67-10-12B.
2. TUBING TO BE INSTALLED WITH SUFFICIENT SLOPE TO PROVIDE DRAINAGE TO THE NEAREST VALVE.
1. PLASTIC FITTINGS TO BE SEALED WITH SEALANT 84456-01-000.

- FILTER 87200-01-000
- SCREW G67-10-12U (2)
- CARTRIDGE 87200-02-000
- WATER HEATER 51393-01-000
- DOOR 78506-01-CHT
- GARNISH 2726-01-210 (2)
- 2726-01-212 (2)
- SCREW G39-10-209 (18)
- SEALANT CUTOUT 113147-01-XXX (418 X 90)
- SCREW G67-10-32B (2)

**LEGEND**

HOT

COLD

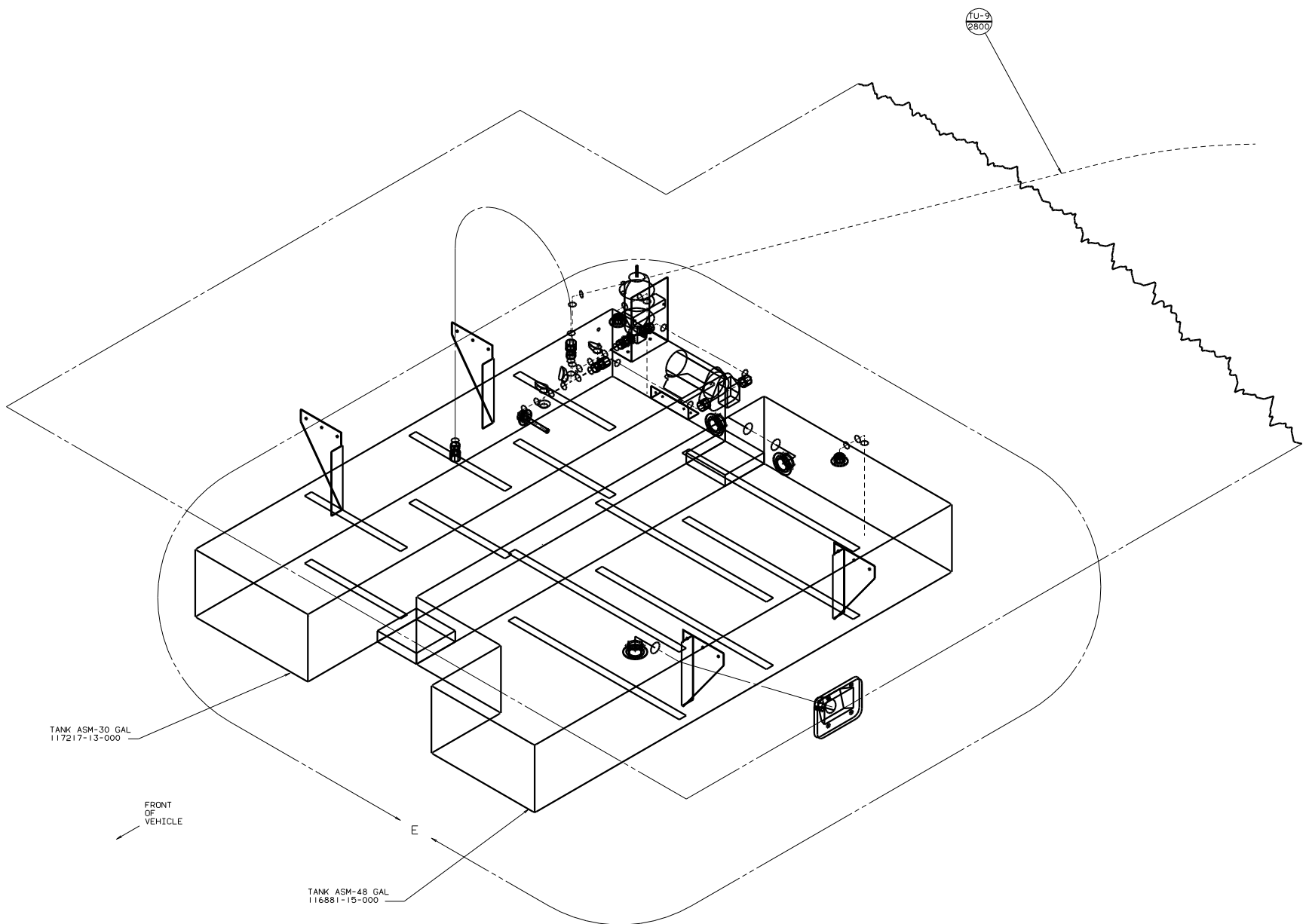
**FOR WATER CALLOUTS SEE DWG NO. 116230-01-000**

05B EUROPEAN EXPORT PREP-PARTIAL

**WINNEBAGO** 99 F & G30A

DATE	UNDESIGNED	DESIGNED	MATERIAL
DATE	DATE	DATE	DATE
DATE	DATE	DATE	DATE
DATE	DATE	DATE	DATE
DATE	DATE	DATE	DATE
DATE	DATE	DATE	DATE

LAYOUT NO. G30A TITLE: WATER SYSTEM INSTL  
 REF: 1262616

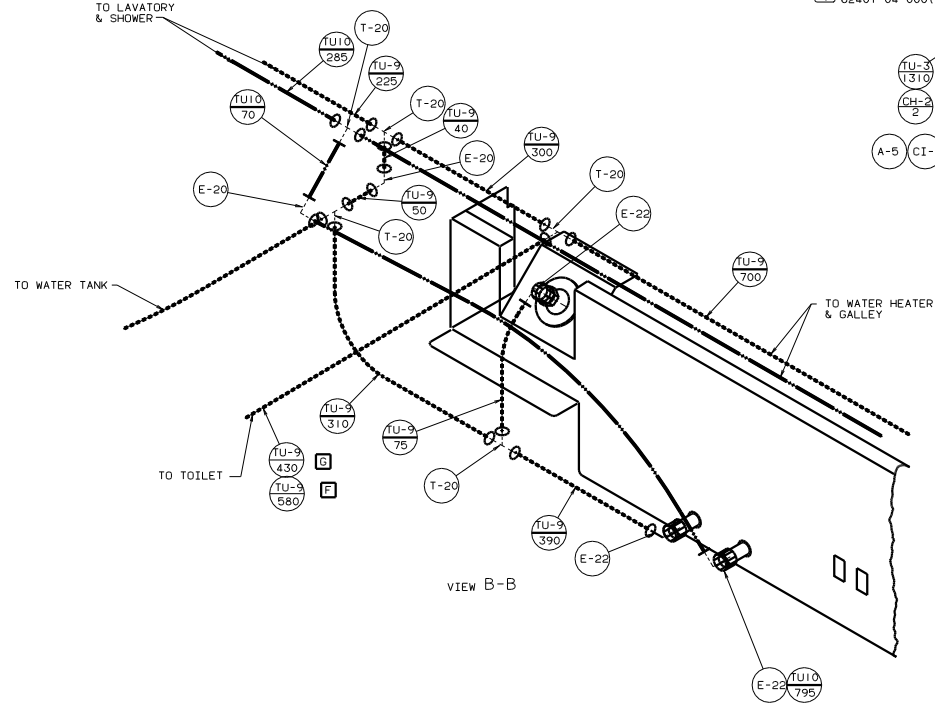
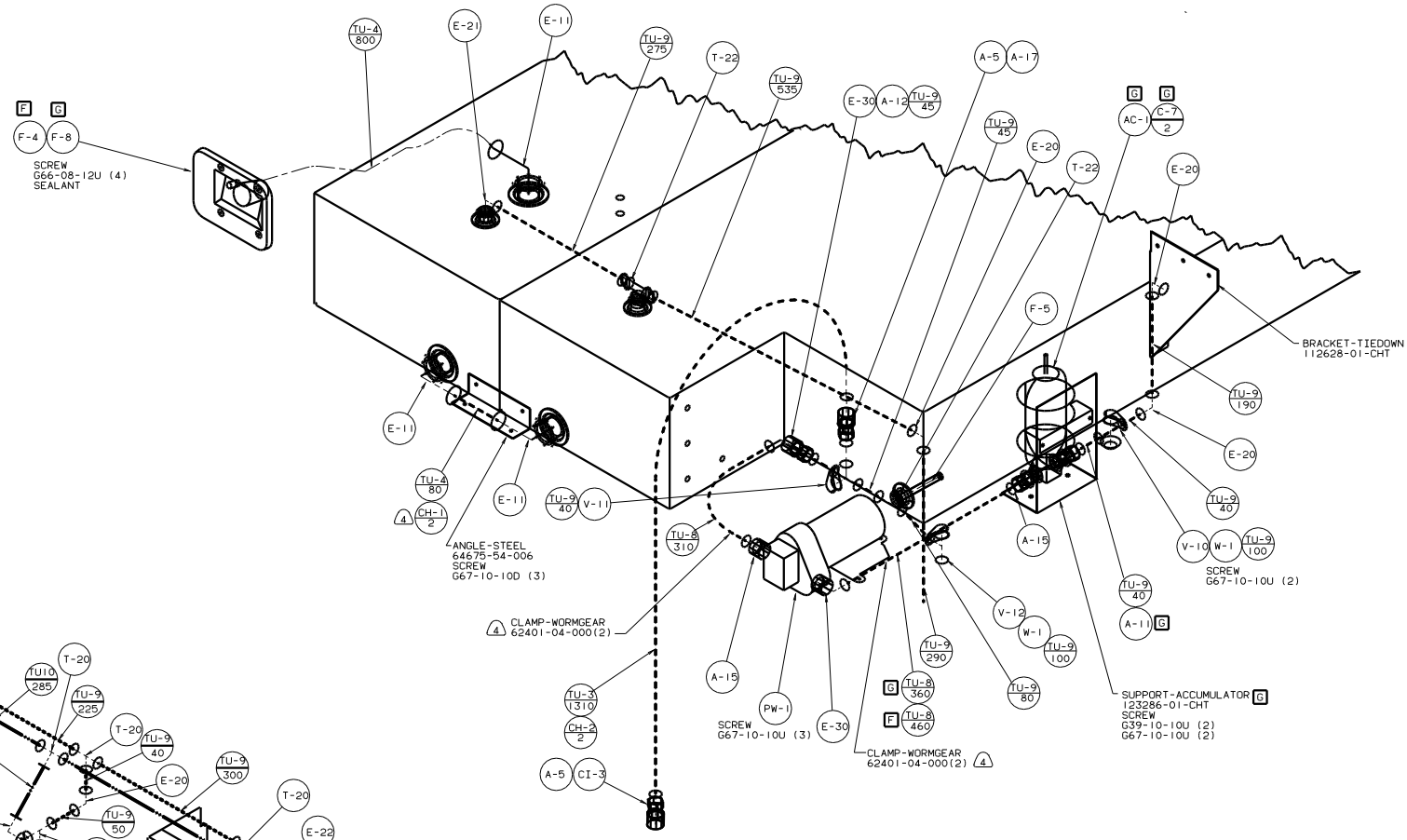


TANK ASM-30 GAL  
117217-13-000

FRONT  
OF  
VEHICLE

TANK ASM-48 GAL  
116881-15-000

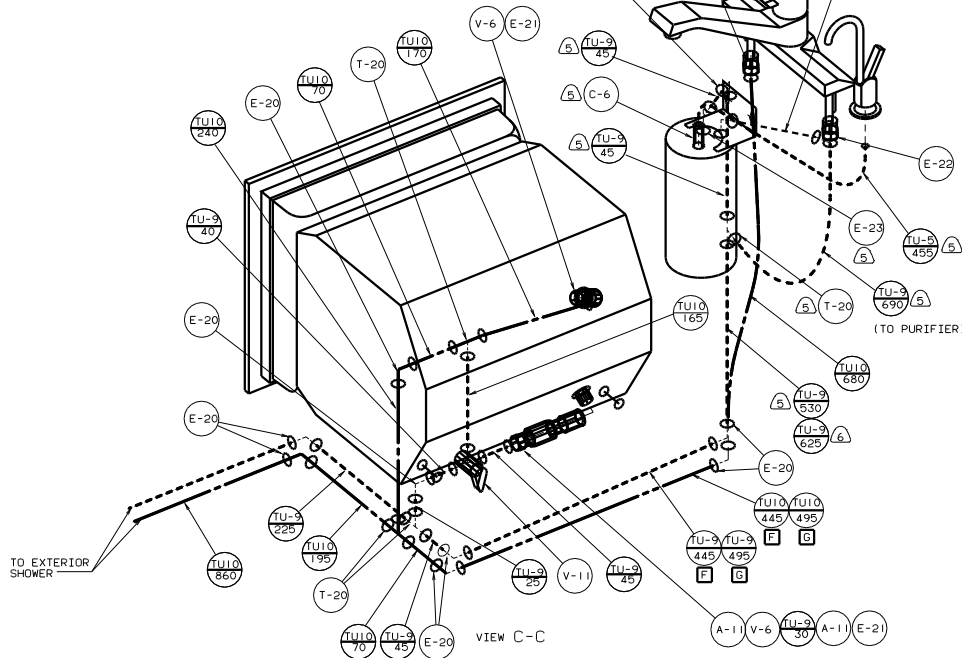
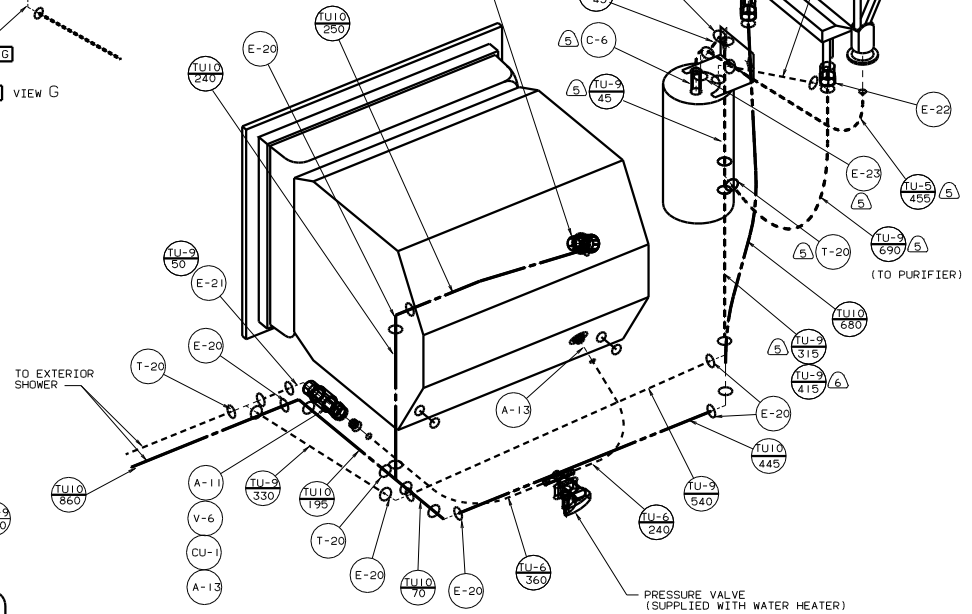
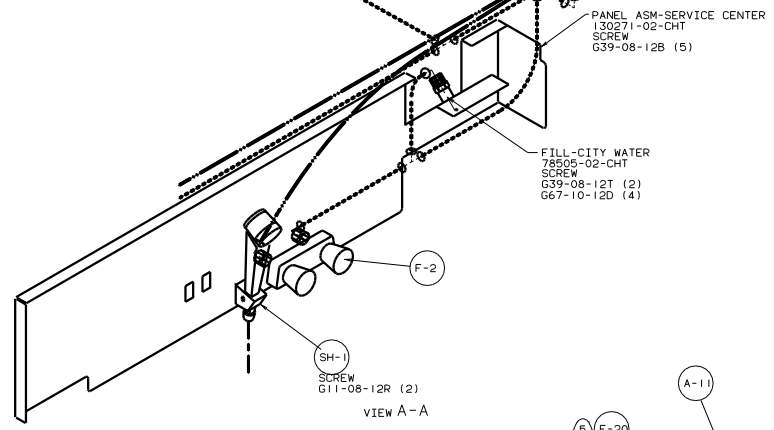
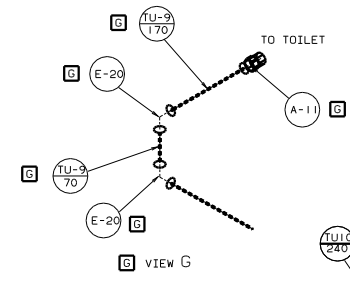
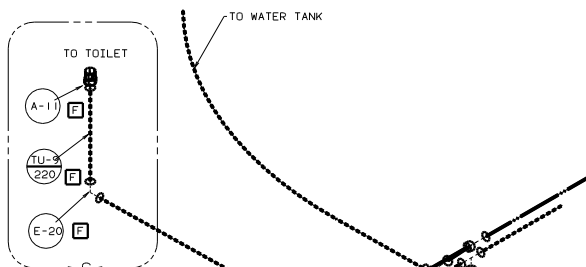
TITLE: WATER SYSTEM INSTL		Part No. 129665	
30 DAY SCALE DRAWING	1/8" = 1'-0"	SHEET 2 OF 5	16



VIEW D-D

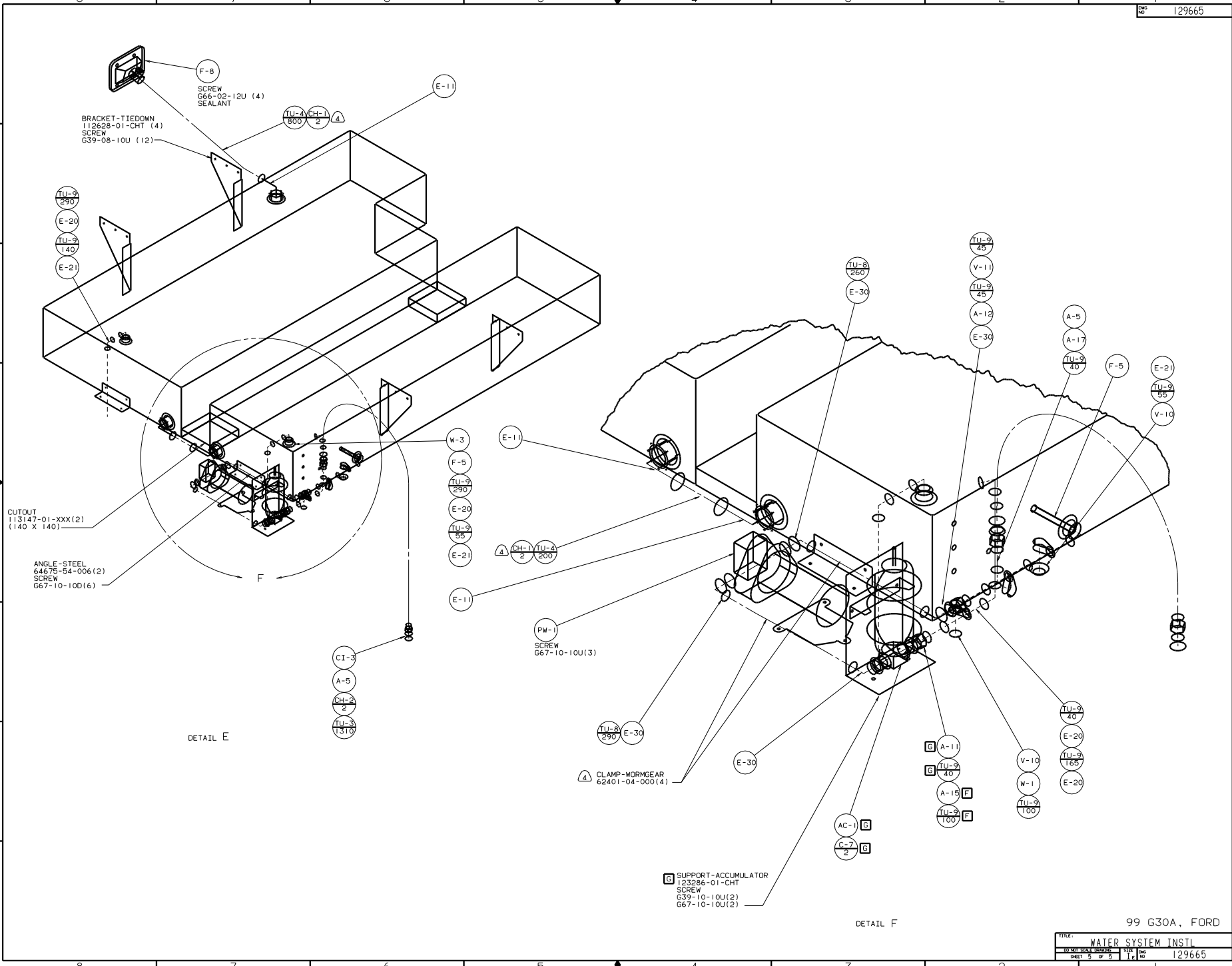
VIEW B-B

99 F & G30A	
TITLE WATER SYSTEM INSTL	
NO. OF SHEETS 5	SHEET 3 OF 5
REV. NO. 1	DATE
129665	



VIEW C-C  
**(05B)** PARTIAL EUROPEAN EXPORT PREP PACKAGE

TITLE		
WATER SYSTEM INSTL		
30 X 100 X 4 25/32 IN	SHEET	1 E
4 OF 5	129665	



TITLE		WATER SYSTEM INSTL	
NO	REV	DATE	BY
5	5		
SHEET		129665	