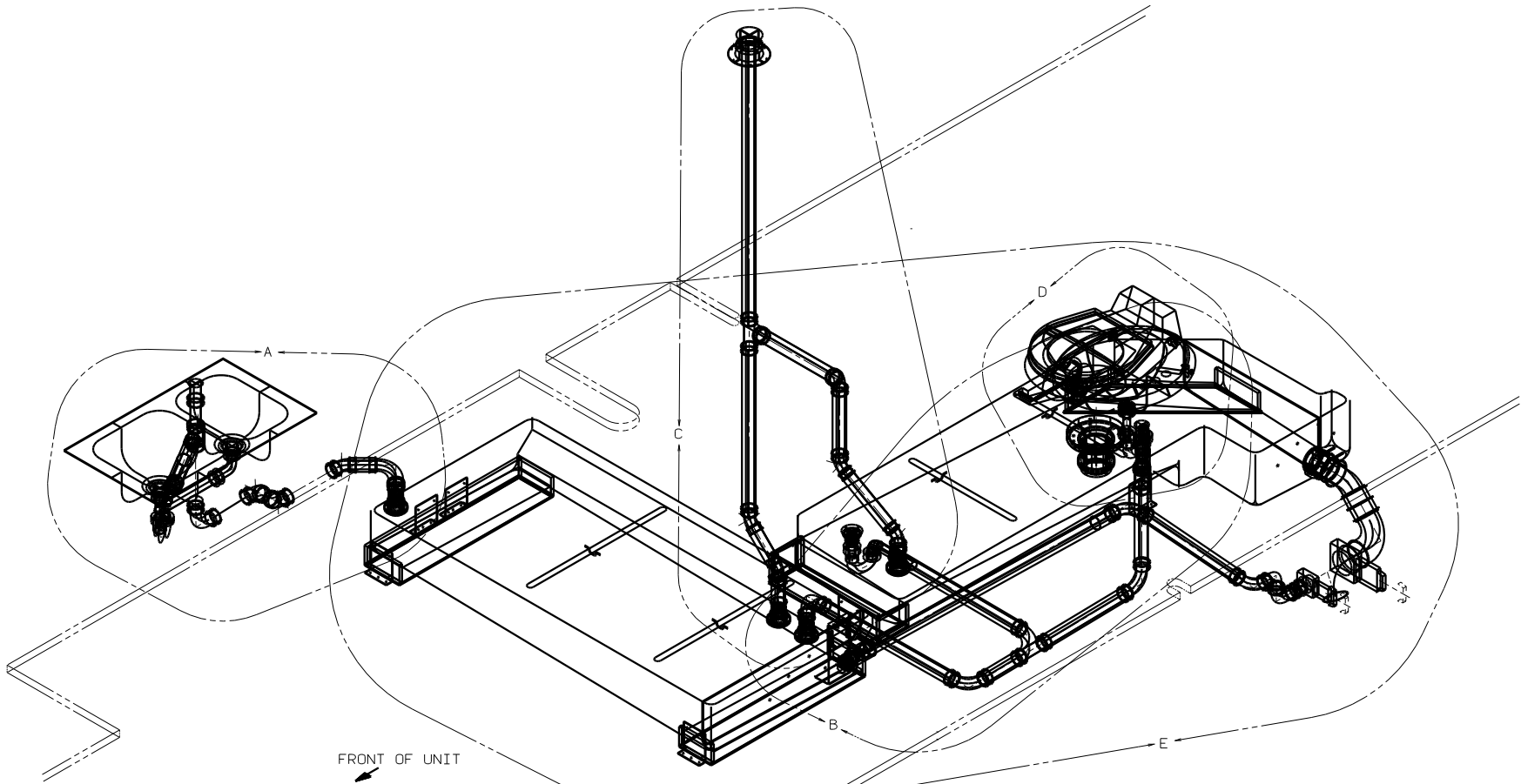


DWG NO	UNIT	---
130312-01	G35C	G
130312-02	F35C	F

RELEASE BY	DATE	BY	DATE	NO	130312
REV	REVISION RECORD	DATE	BY	NO	

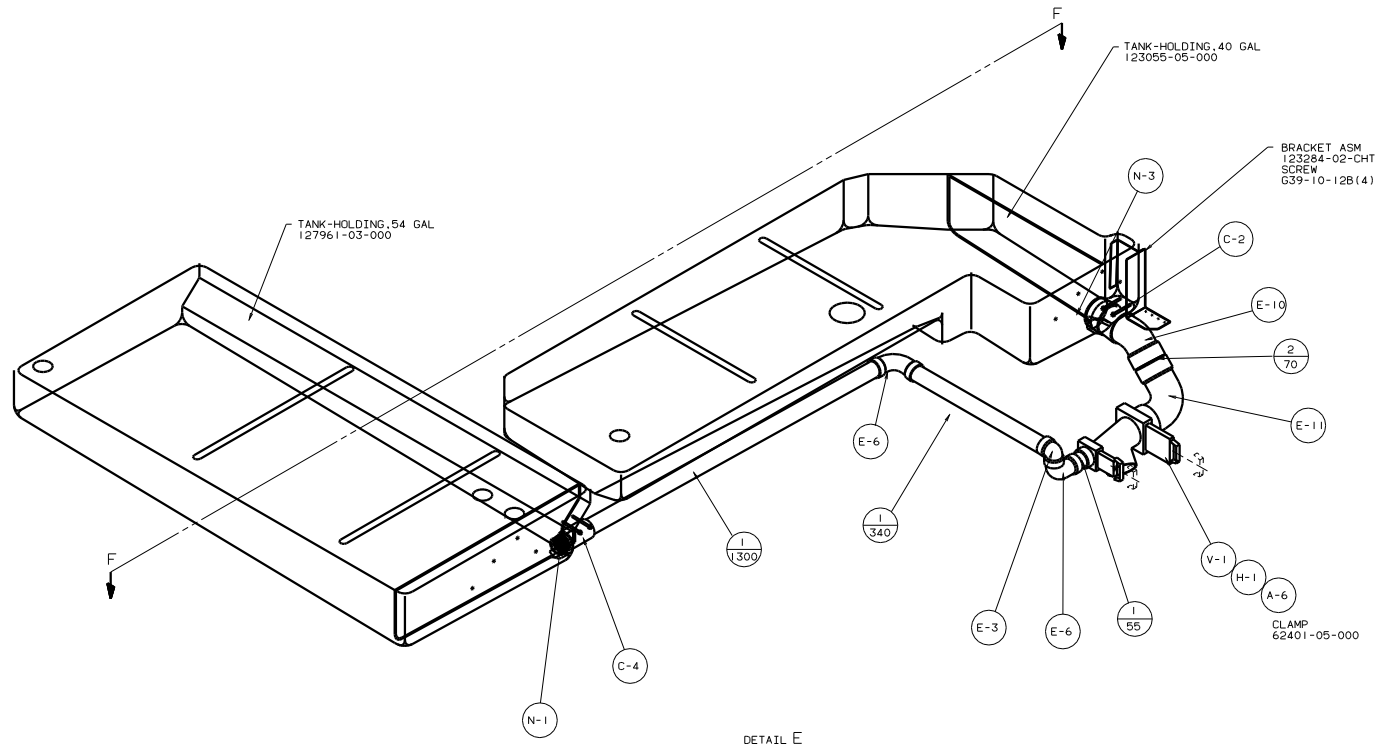


- ⑫ SECURE PIPES TO CABINET USING WIRE TIE 108046-02-000 AND SCREW G67-10-12U(8).
- ⑪ NOT USED ON CANADIAN UNITS.
- ⑩ SECURE VENT TUBES TO FLOOR WITH BRACKET.
- ⑨ VENT PIPE MUST PROJECT 51 MM MINIMUM AND 63.5 MM MAXIMUM ABOVE ROOF FOR PROPER FIT AND FUNCTION.
- 8. SEE DRAWING 61607-01-000 FOR INSTALLATION OF GROMMETS.
- 7. FOR CANADIAN UNITS EACH HOLDING TANK SHALL HAVE CSA APPROVAL STAMPED NEAR THE IAMPO APPROVAL.
- 6. SEAL AROUND SHOWER WITH SILICONE.
- 5. EXPOSED PIPE ABOVE ROOF TO BE PAINTED 37163-01-000.
- 4. ALL EXTERIOR OPENINGS AROUND PIPE TO BE SEALED WITH 110744-01-000.
- 3. ALL PIPE AND FITTINGS TO BE ASSEMBLED WITH SOLVENT 4020-01-000.
- 2. SLOPE OF TRAP ARM MUST BE 6 PER 305.
- 1. SLOPE OF HORIZONTAL PIPING TO BE 6 PER 305 MINIMUM.

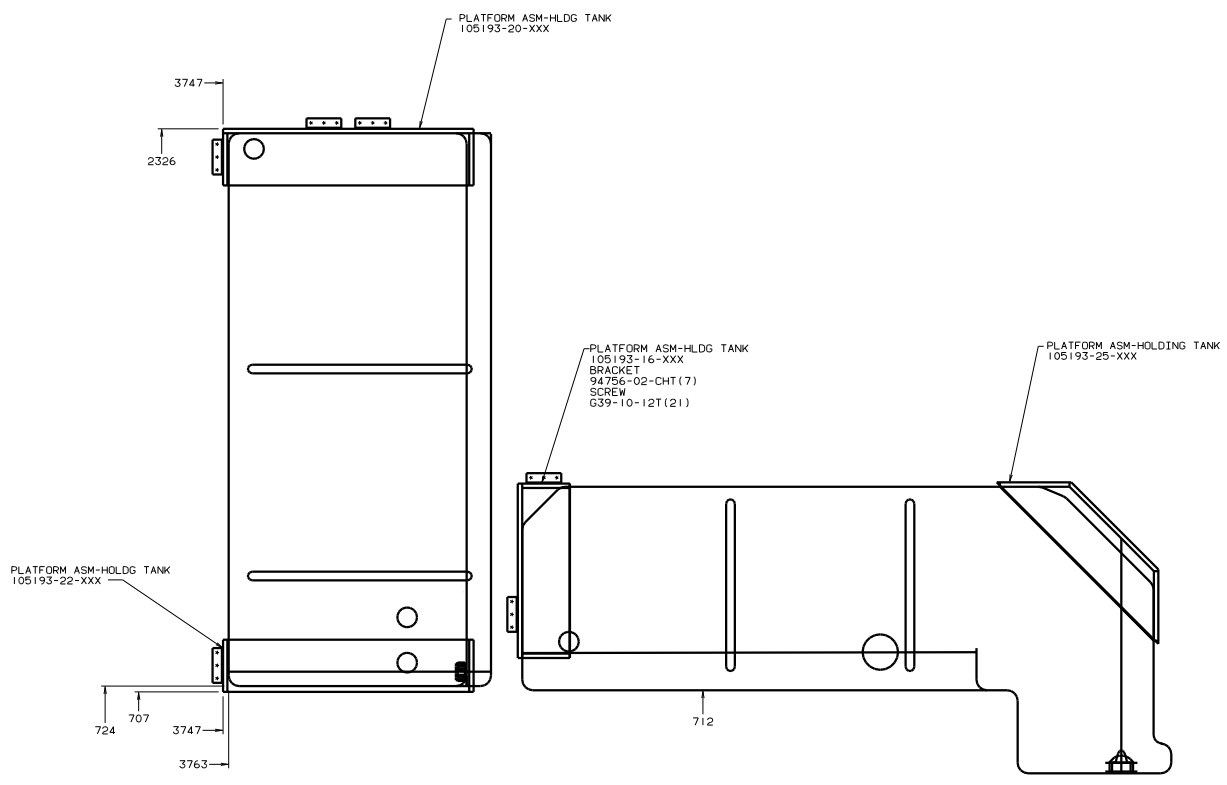
NOTES:

(X-X)
FOR DRAINAGE CALLOUTS SEE DWG NO. 116229-01-000

<table border="1"> <tr> <td>DATE</td> <td>UNDESIGNED TOLERANCES ARE:</td> <td>INVERTAL</td> </tr> <tr> <td>DATE</td> <td>WHOLE DIM (1:1)</td> <td>1/8</td> </tr> <tr> <td>DATE</td> <td>ONE-PLACE (1:1)</td> <td>1/16</td> </tr> <tr> <td>DATE</td> <td>TWO-PLACE (1:1)</td> <td>1/32</td> </tr> <tr> <td>DATE</td> <td>THREE-PLACE (1:1)</td> <td>1/64</td> </tr> <tr> <td>DATE</td> <td>THREE-PLACE (1:1)</td> <td>1/128</td> </tr> </table>		DATE	UNDESIGNED TOLERANCES ARE:	INVERTAL	DATE	WHOLE DIM (1:1)	1/8	DATE	ONE-PLACE (1:1)	1/16	DATE	TWO-PLACE (1:1)	1/32	DATE	THREE-PLACE (1:1)	1/64	DATE	THREE-PLACE (1:1)	1/128	WINNEBAGO 99 F & G35C	
		DATE	UNDESIGNED TOLERANCES ARE:	INVERTAL																	
DATE	WHOLE DIM (1:1)	1/8																			
DATE	ONE-PLACE (1:1)	1/16																			
DATE	TWO-PLACE (1:1)	1/32																			
DATE	THREE-PLACE (1:1)	1/64																			
DATE	THREE-PLACE (1:1)	1/128																			
LAYOUT NO. G35C REV # SCALE: NONE ALL DIMENSIONS ARE IN MILLIMETERS		TITLE: DRAINAGE SYSTEM INSTL SHEET 1 OF 4 DWG NO. 130312																			



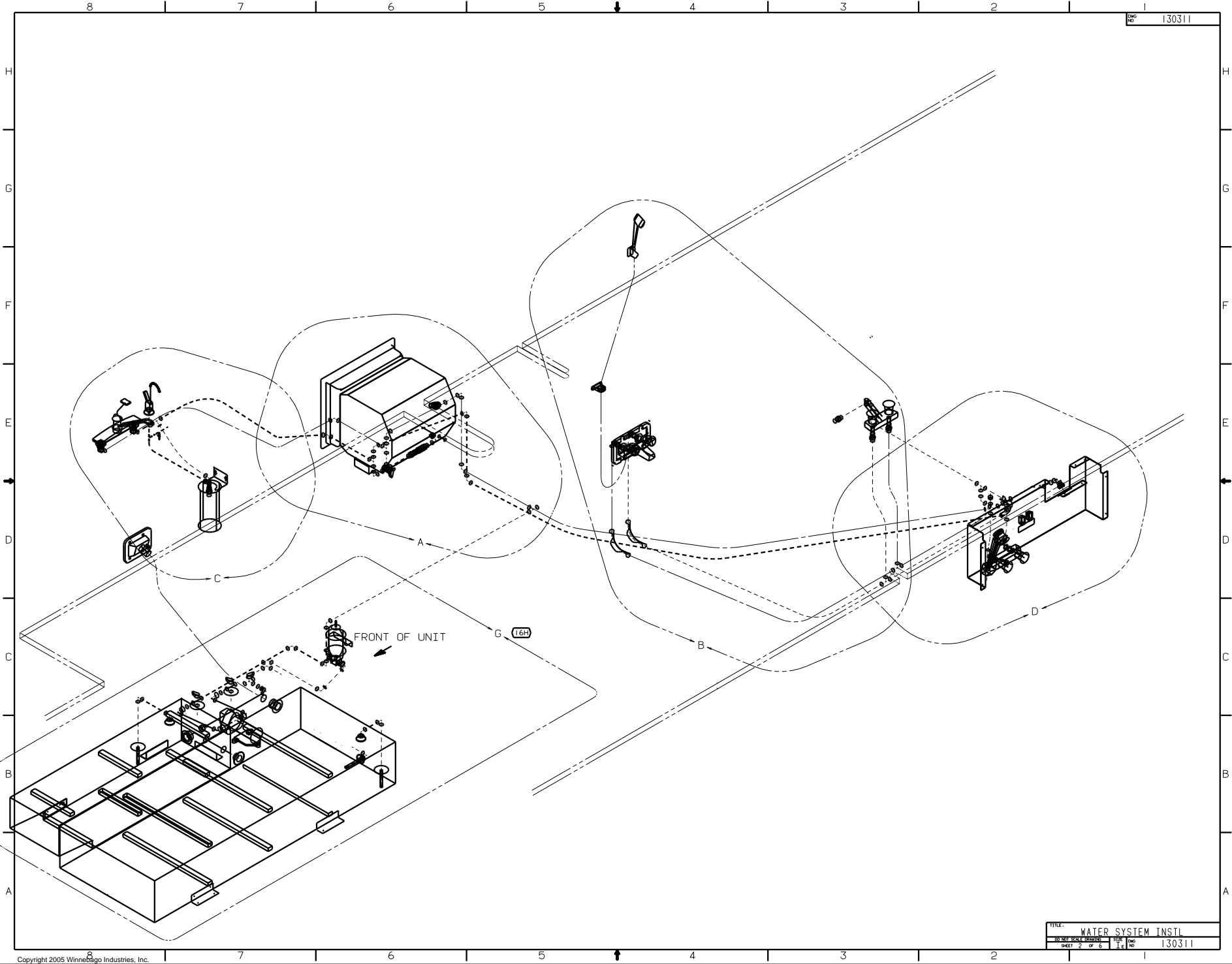
DETAIL E



VIEW F-F

99 F & G35C

TITLE: DRAINAGE SYSTEM INSTL		DWG NO: 130312	
DATE: 11/11/05	BY: J.E.	CHK: J.E.	APP: J.E.
SHEET 4 OF 4			



TITLE: WATER SYSTEM INSTL	
DATE: 11/16/05	REV: 1.0
SHEET: 2 of 6	NO: 130311

