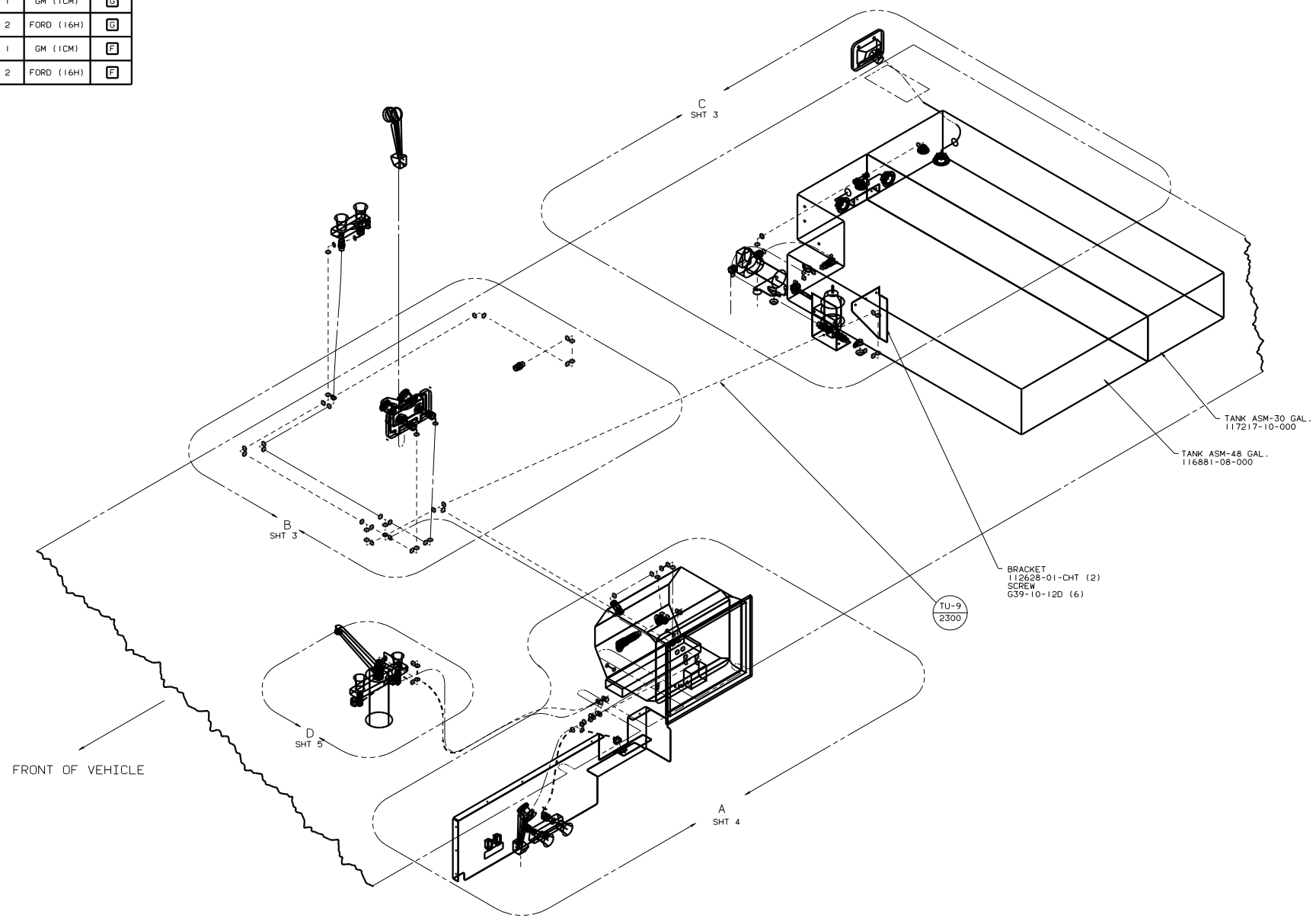


DWG NO	SHT	CHASSIS	----
129091-01	1	GM (1CM)	G
129091-02	2	FORD (16H)	G
129091-03	1	GM (1CM)	F
129091-04	2	FORD (16H)	F



- ⑥ 501 WATER PURIFIER W/O.
 - ⑤ 298 WATER PURIFIER.RBS.
 - ④ CLAMP MUST BE ON BARBS.
3. ALL TUBING TO BE SECURED AT 1200 INTERVALS MAX WITH CLAMP 10495-01-000 OR CLIP 91951-01-000 AND SCREW G67-10-12B.
 2. TUBING TO BE INSTALLED WITH SUFFICIENT SLOPE TO PROVIDE DRAINAGE TO THE NEAREST VALVE.
 1. PLASTIC FITTINGS TO BE SEALED WITH SEALANT 84456-01-000.

NOTES:

LEGEND	
HOT	—————
COLD	••••••••

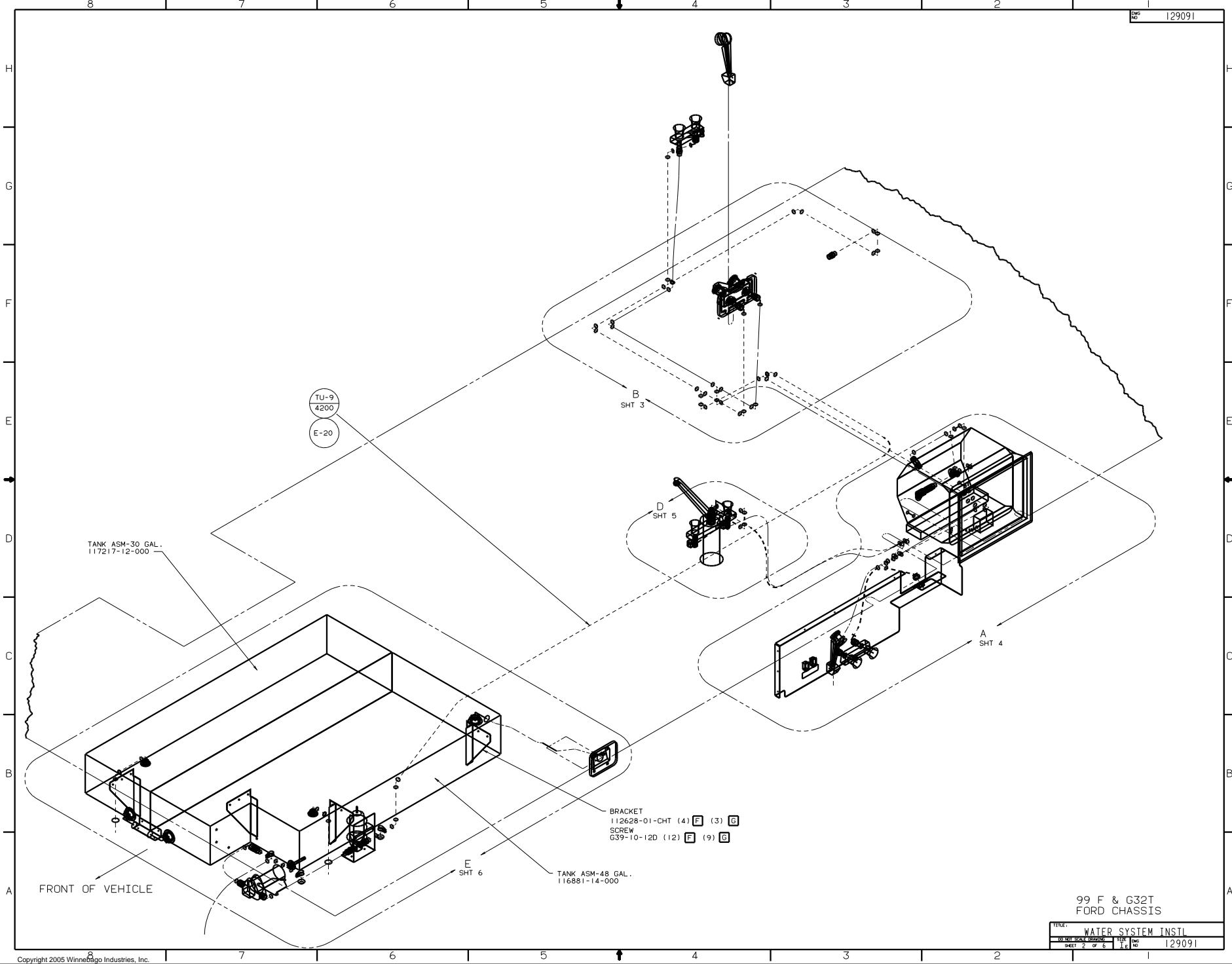
(X-X) FOR WATER CALLOUTS SEE DWG NO. 116230-01-000

CHEVY CHASSIS



QTY	DATE	UNSPECIFIED TOLERANCES ARE:	MATERIAL
CHP	DATE	WHOLE DIM (IN)	F
DYE	DATE	ONE-PLACE (IN.XI)	.
DYE	DATE	TWO-PLACE (IN.XX)	.
DYE	DATE	THREE-PLACE (IN.XXX)	.
CDR	DATE	INDIC. W/ALL PROJECTION	☉

LANE# G32T TITLE: WATER SYSTEM INSTL
 DIA # SCALE: NONE 30-90 SCALE: 3/16"=1" SHEET 1 OF 6
 ALL DIMENSIONS ARE IN MILLIMETERS



TU-9
4200
E-20

TANK ASM-30 GAL.
117217-12-000

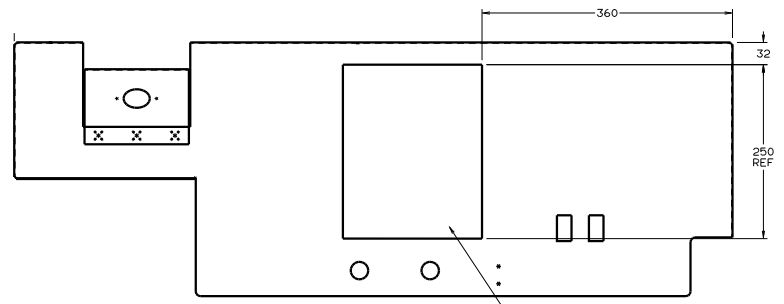
BRACKET
112628-01-CHT (4) F (3) G
SCREW
639-10-12D (12) F (9) G

TANK ASM-48 GAL.
116891-14-000

FRONT OF VEHICLE

99 F & G32T
FORD CHASSIS

TITLE: WATER SYSTEM INSTL	
TO SHEET NO. 2 OF 6	REV. NO. 129091



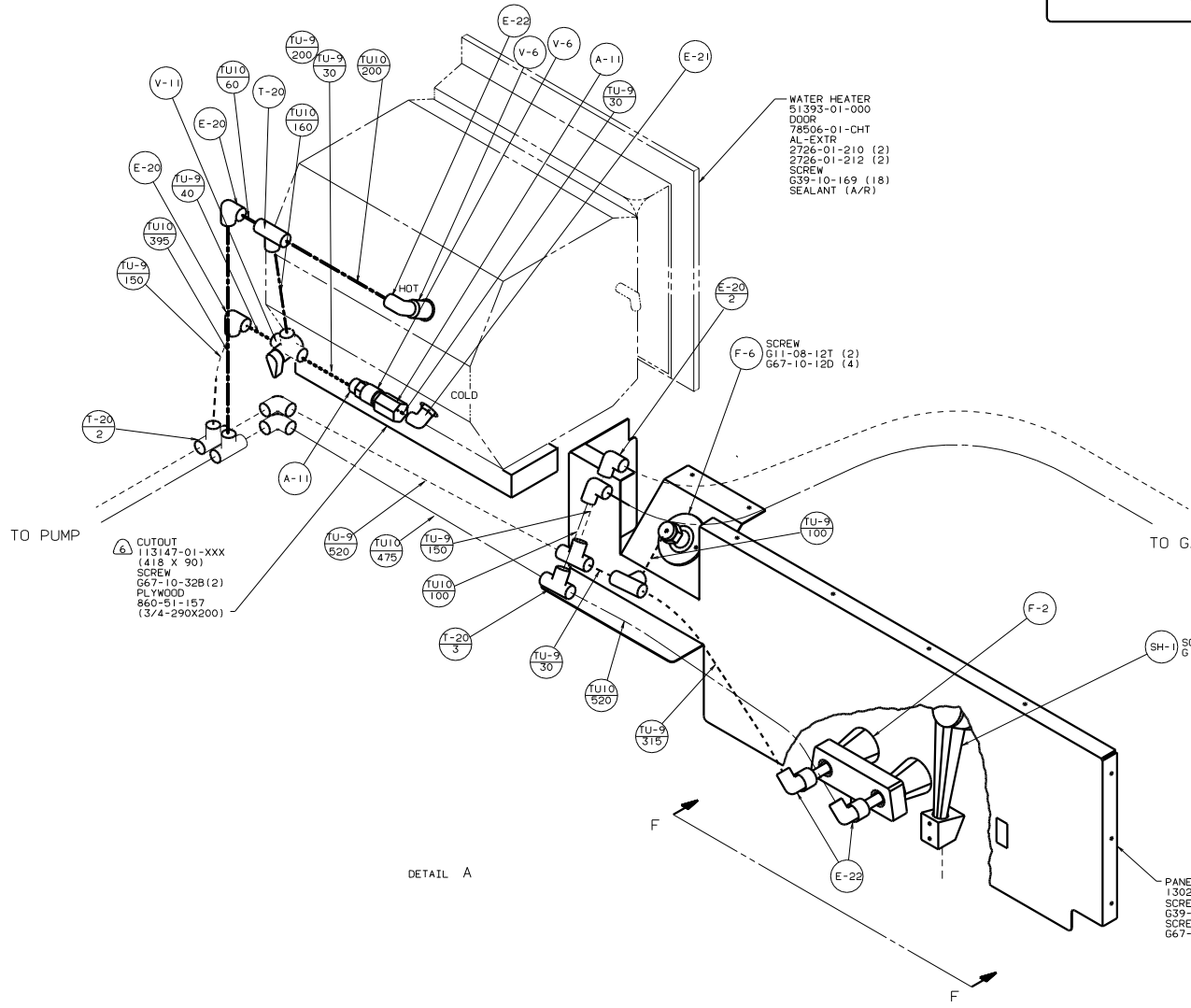
VIEW F-F

- WATER HEATER 51393-01-000
- DOOR 78506-01-CHT
- AL-EXTR 2726-01-210 (2)
- 2726-01-212 (2)
- SCREW G39-10-169 (18)
- SEALANT (A/R)

- SCREW F-6 G11-08-12T (2)
- G67-10-12D (4)

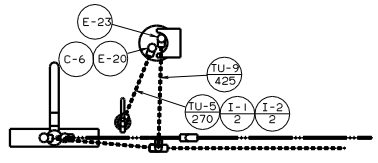
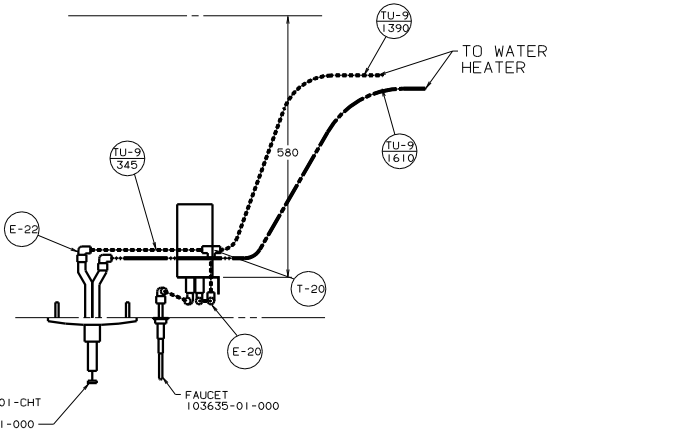
- SCREW SH-1 G11-08-12R (2)

- PANEL ASM-SERVICE CENTER 130271-01-CHT
- SCREW G39-18-12T (6)
- SCREW G67-10-12D (6)

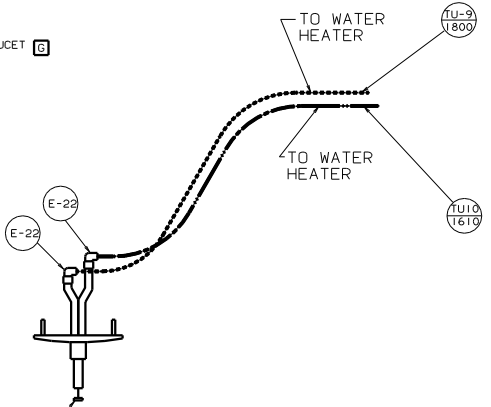


- CUTOUT 113147-01-XXX (418 X 90)
- SCREW G67-10-328 (2)
- PLYWOOD 860-51-157 (3/4-290X200)

DETAIL A



DETAIL D
SINGLE CONTROL FAUCET WITH PURIFIER
[298]



DETAIL D
SINGLE CONTROL FAUCET WITHOUT PURIFIER
[501]

