

SHOWER INSTL-ENCLOSURE
 121582-01-000
 STRAINER
 006440-01-000
 SEALANT
 NUT
 130403-01-000
 WASHER-RUBBER
 127440-02-CHT
 TAILPIECE
 11069-02-000

VENT
 83558-03-000 (A)
 SCREW
 G57-10-12B(6)
 SEALANT

SINK
 96927-01-CHT
 TAILPIECE
 11069-02-000
 SEAL
 91255-02-000 (A/R)

TOILET-AQUA MAGIC 14.LOW
 84738-01-CHT

TANK
 122006-02-000
 PLATFORM ASM
 122992-05-000
 122992-06-000

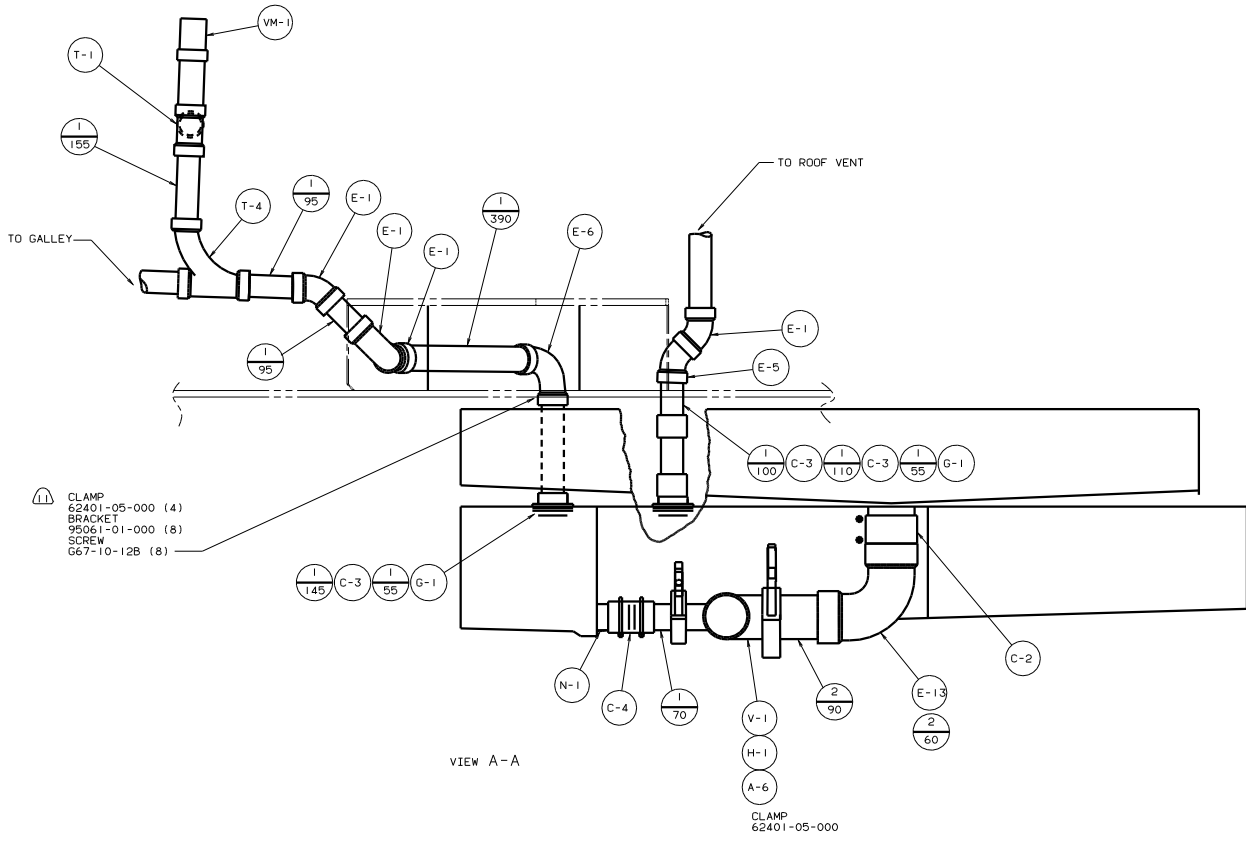
TANK
 122027-02-000
 PLATFORM ASM
 122992-07-000

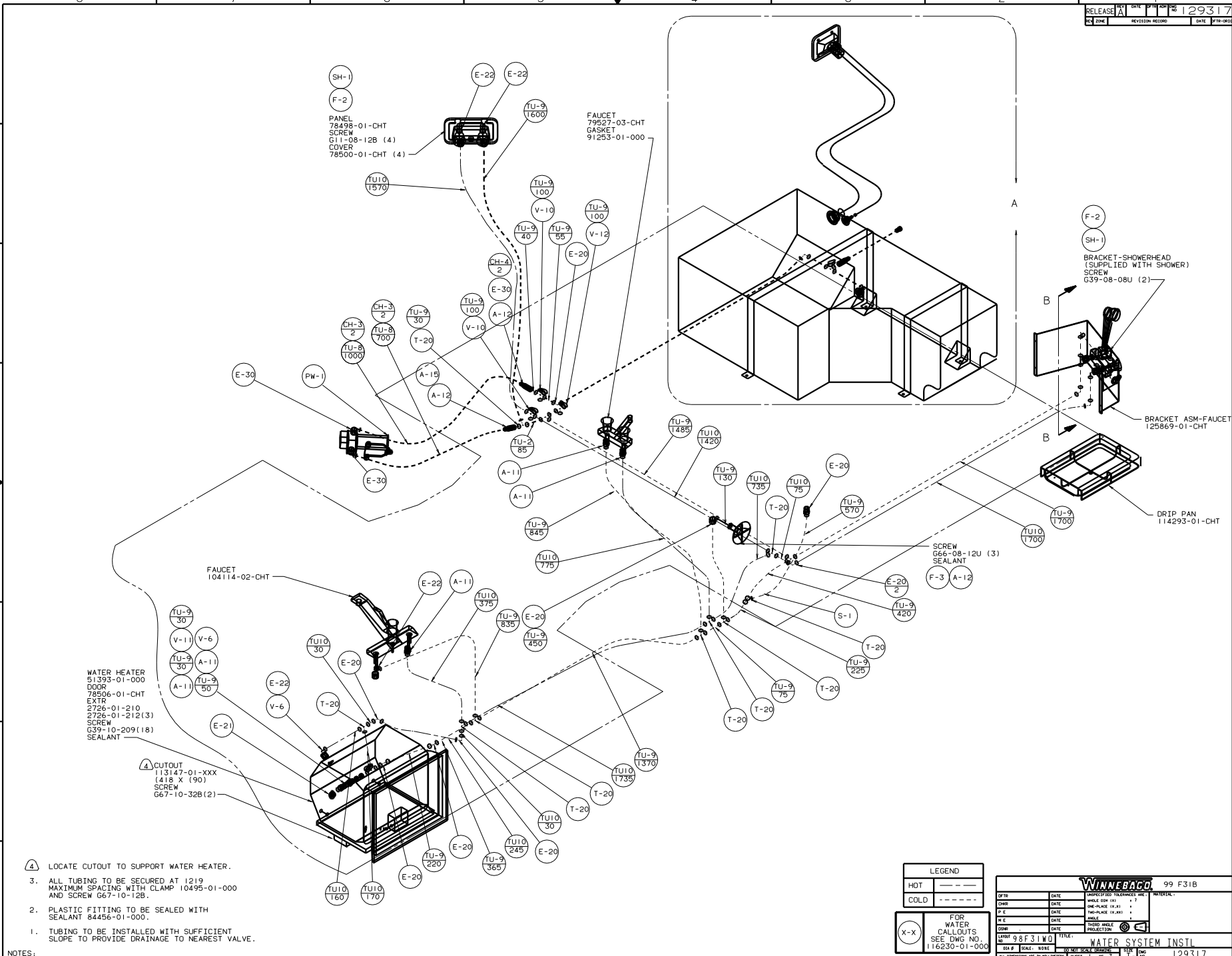
SINK-DOUBLE
 104113-01-000
 SEAL
 91255-02-000 (A/R)
 RETAINER
 105497-01-000 (4)
 SCREW
 G67-06-10U (18)
 STRAINER
 92303-01-000 (2)

- ① SECURE PIPES TO CABINET USING WIRE TIE 108046-02-000 AND SCREW G67-10-12U(8).
 - ② SECURE DRAIN TUBES TO FLOOR.
 - ③ NOT USED ON CANADIAN UNITS.
 - ④ VENT PIPE MUST PROJECT 51 MIN TO 64 MAX ABOVE ROOF FOR PROPER FIT AND FUNCTION.
 - ⑤ SEE DWG 61607-01-000 FOR INSTL OF GROMMET.
 - ⑥ SEAL ALL AROUND SHOWER PAN WITH SILICONE 78474-01-CHT.
5. FOR CANADIAN UNITS EACH HOLDING TANK SHALL HAVE A CSA APPROVAL STAMPED NEAR THE IAPMO APPROVAL.
4. ALL EXTERIOR OPENINGS AROUND PIPE TO BE SEALED WITH 69637-01-000.
3. ALL PIPE AND FITTINGS TO BE ASSEMBLED WITH SOLVENT 4020-01-000.
2. SLOPE OF TRAP MUST BE 6 PER 300 MINIMUM.
1. SLOPE OF HORIZONTAL PIPING TO BE 6 PER 300 MINIMUM.

(X-X) FOR DRAINAGE CALLOUTS SEE DWG NO. 116229-01-000

WINNEBAGO 99 F31B	
DATE	UNSPECIFIED TOLERANCES ARE:
DATE	WHOLE DIM (IN)
DATE	ONE-PLACE (IN.X1)
DATE	TWO-PLACE (IN.XX)
DATE	MILS
DATE	THIRD ANGLE PREDOMINATION
DATE	
LAYOUT NO. F31W0	TITLE: DRAINAGE SYSTEM INSTL
DWG NO. 125860 E 1	SHEET 1 OF 2
REF: 125860 E 1	129316





SH-1
 F-2
 PANEL
 78498-01-CHT
 SCREW
 611-08-12B (4)
 COVER
 78500-01-CHT (4)

FAUCET
 79527-03-CHT
 GASKET
 91253-01-000

F-2
 SH-1
 BRACKET-SHOWERHEAD
 (SUPPLIED WITH SHOWER)
 SCREW
 639-08-08U (2)

BRACKET ASM-FAUCET
 125869-01-CHT

DRIP PAN
 114293-01-CHT

SCREW
 G66-08-12U (3)
 SEALANT

WATER HEATER
 51393-01-000
 DOOR
 78506-01-CHT
 EXTR
 2726-01-210
 2726-01-212(3)
 SCREW
 639-10-209(18)
 SEALANT

FAUCET
 104114-02-CHT

4 CUTOUT
 113147-01-XXX
 (418 X 190)
 SCREW
 667-10-328(2)

LEGEND

HOT ---
 COLD ---

FOR WATER CALLOUTS SEE DWG NO. 116230-01-000

(X-X)

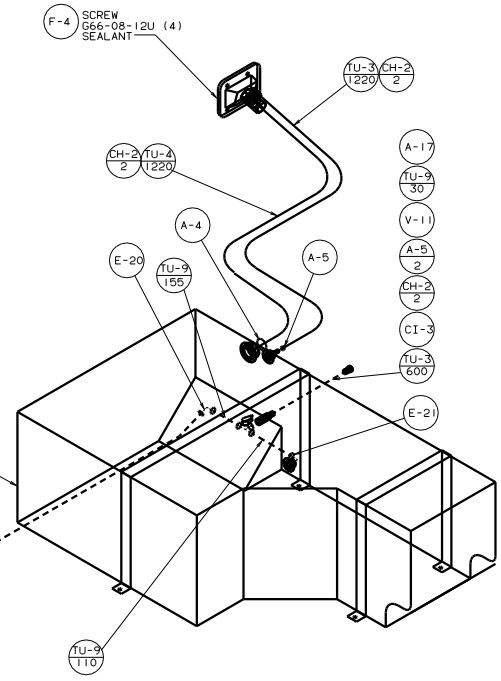
WINNEBAGO 99 F31B

DATE	DESCRIPTION	BY	CHKD

LAYOUT: 98F31W0 TITLE: WATER SYSTEM INSTL
 SHEET 1 OF 3 REF: 125861 L 1

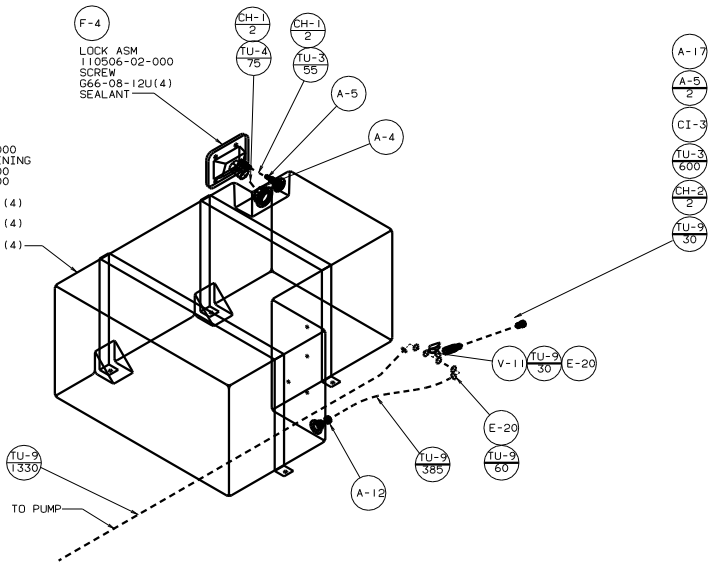
- NOTES:
- LOCATE CUTOUT TO SUPPORT WATER HEATER.
 - ALL TUBING TO BE SECURED AT 1219 MAXIMUM SPACING WITH CLAMP 10495-01-000 AND SCREW 667-10-12B.
 - PLASTIC FITTING TO BE SEALED WITH SEALANT 84456-01-000.
 - TUBING TO BE INSTALLED WITH SUFFICIENT SLOPE TO PROVIDE DRAINAGE TO NEAREST VALVE.

TANK-WATER
 125359-03-000
 STRAP-RETAINING
 54168-31-000
 54168-32-000
 BOLT
 C18-05-40A (4)
 WASHER
 E13-16-00B (4)
 NUT
 D34-06-00B (4)



DETAIL A
 49X BED-QUEEN

TANK-WATER
 121959-02-000
 STRAP-RETAINING
 54168-27-000
 54168-28-000
 BOLT
 C18-05-04A (4)
 WASHER
 E13-16-00B (4)
 NUT
 D34-06-00B (4)



DETAIL A
 45G BED-TWINS

