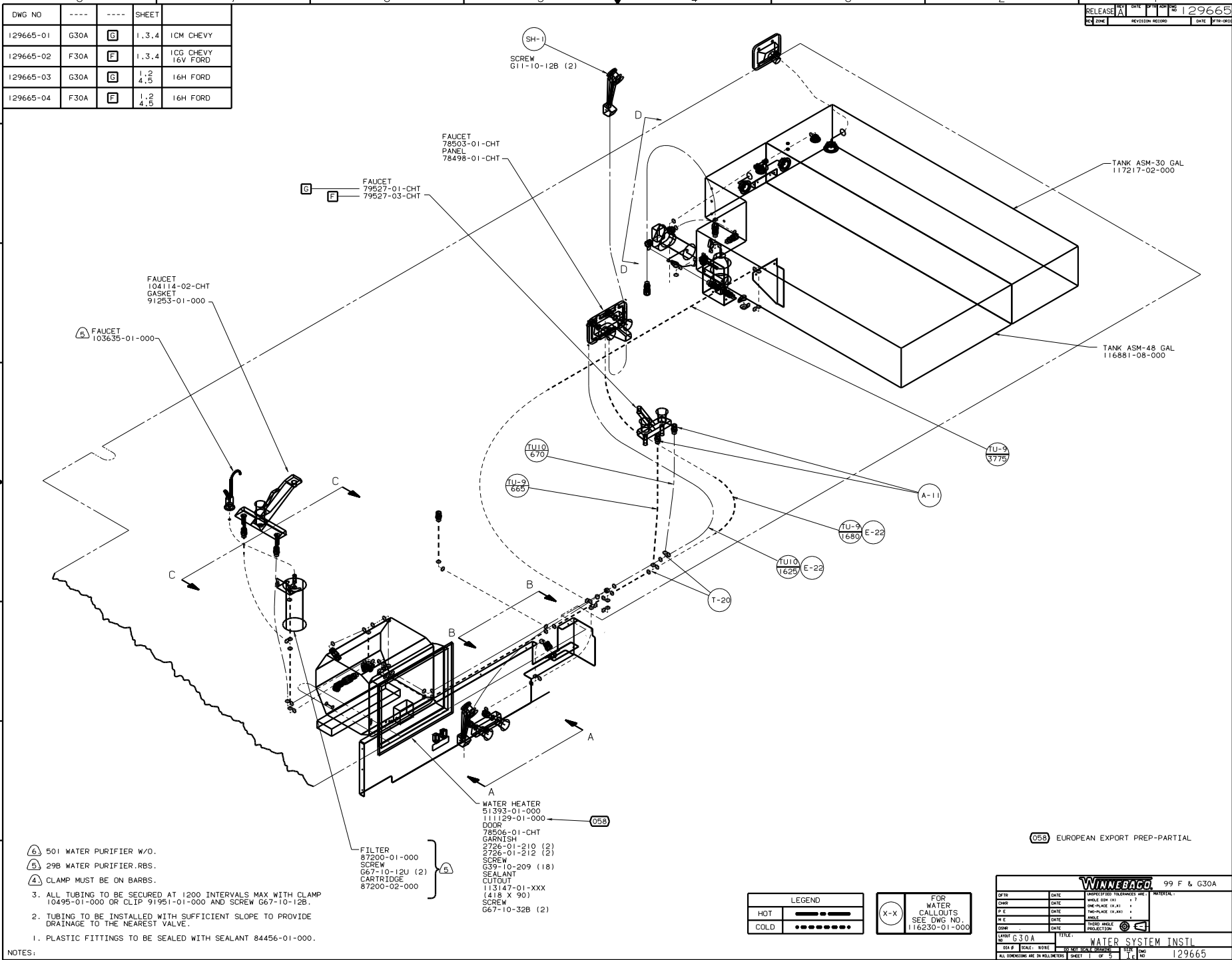


99 F & G30A

TITLE: DRAINAGE SYSTEM INSTL		DWG NO: 129711	
NO. OF SHEETS	SHEET NO.	REV.	DATE
2	2	1	

DWG NO	----	----	SHEET	
129665-01	G30A	G	1, 3, 4	1CM CHEVY
129665-02	F30A	F	1, 3, 4	1CG CHEVY 16V FORD
129665-03	G30A	G	1, 2 4, 5	16H FORD
129665-04	F30A	F	1, 2 4, 5	16H FORD



- NOTES:
1. PLASTIC FITTINGS TO BE SEALED WITH SEALANT 84456-01-000.
 2. TUBING TO BE INSTALLED WITH SUFFICIENT SLOPE TO PROVIDE DRAINAGE TO THE NEAREST VALVE.
 3. ALL TUBING TO BE SECURED AT 1200 INTERVALS MAX WITH CLAMP 10495-01-000 OR CLIP 91951-01-000 AND SCREW G67-10-12B.

- 501 WATER PURIFIER W/O.
- 29B WATER PURIFIER.RBS.
- CLAMP MUST BE ON BARBS.
- FILTER 87200-01-000
- CARTRIDGE 87200-02-000
- WATER HEATER 51393-01-000
- DOOR 111129-01-000
- DOOR 78506-01-CHT
- GARNISH 2726-01-210 (2)
- 2726-01-212 (2)
- SCREW G67-10-12U (2)
- CLIP 91951-01-000 (18)
- SEALANT CUTOUT 113147-01-XXX (418 X 90)
- SCREW G67-10-32B (2)

LEGEND

HOT ————

COLD - - - - -

(X-X) FOR WATER CALLOUTS SEE DWG NO. 116230-01-000

WINNEBAGO 99 F & G30A

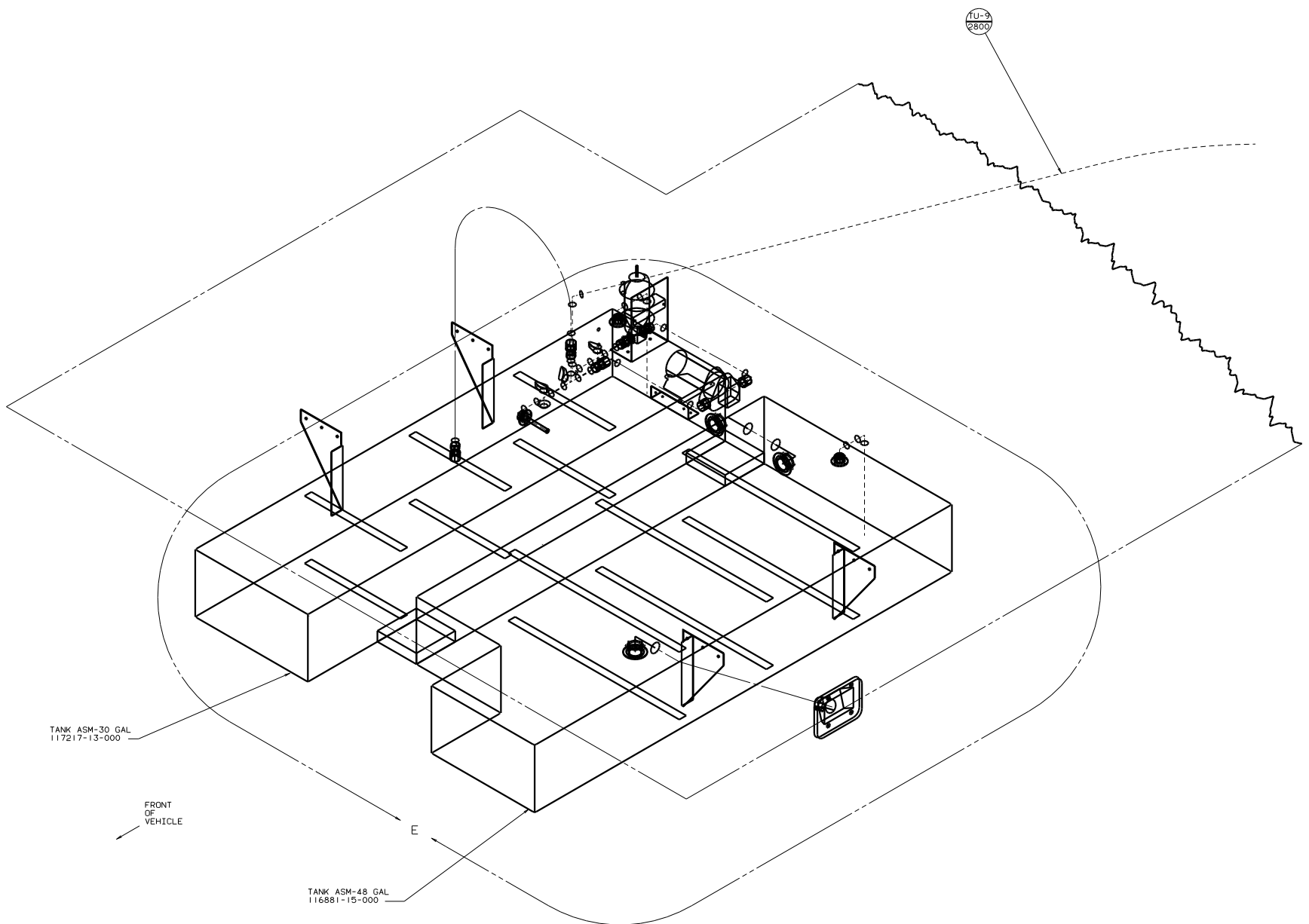
DATE	UNDESIGNED	DESIGNED	MATERIAL
DATE	WHOLE OR PART	ONE-PLACE OR TWO	
DATE	ONE-PLACE OR TWO	ONE-PLACE OR TWO	
DATE	ONE-PLACE OR TWO	ONE-PLACE OR TWO	
DATE	ONE-PLACE OR TWO	ONE-PLACE OR TWO	
DATE	ONE-PLACE OR TWO	ONE-PLACE OR TWO	

LANE# G30A TITLE WATER SYSTEM INSTL

REV # SCALE NOTE 20-100 SCALE 1:1

ALL DIMENSIONS ARE IN MILLIMETERS SHEET 1 OF 5

REF: 1262616



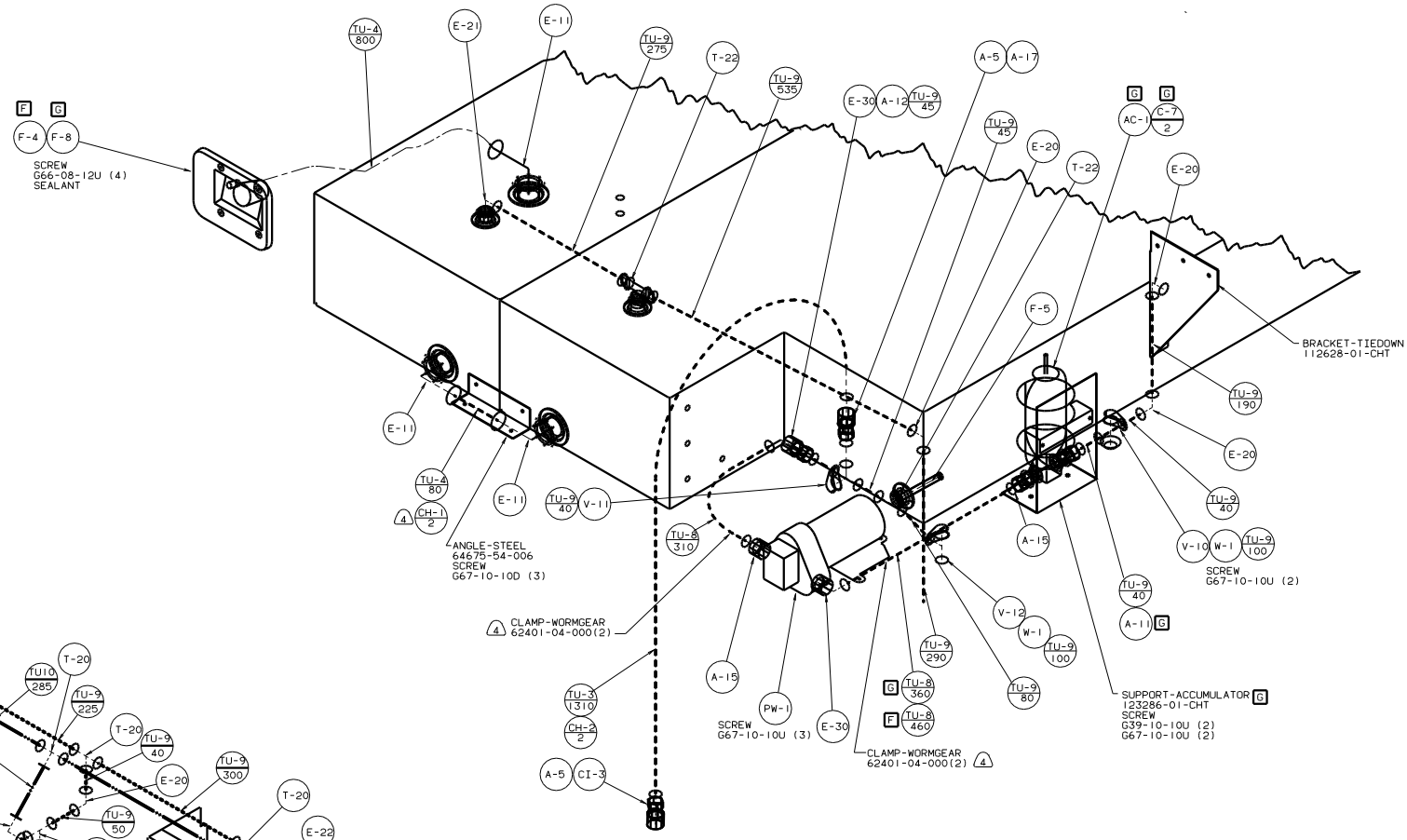
TANK ASM-30 GAL
117217-13-000

FRONT
OF
VEHICLE

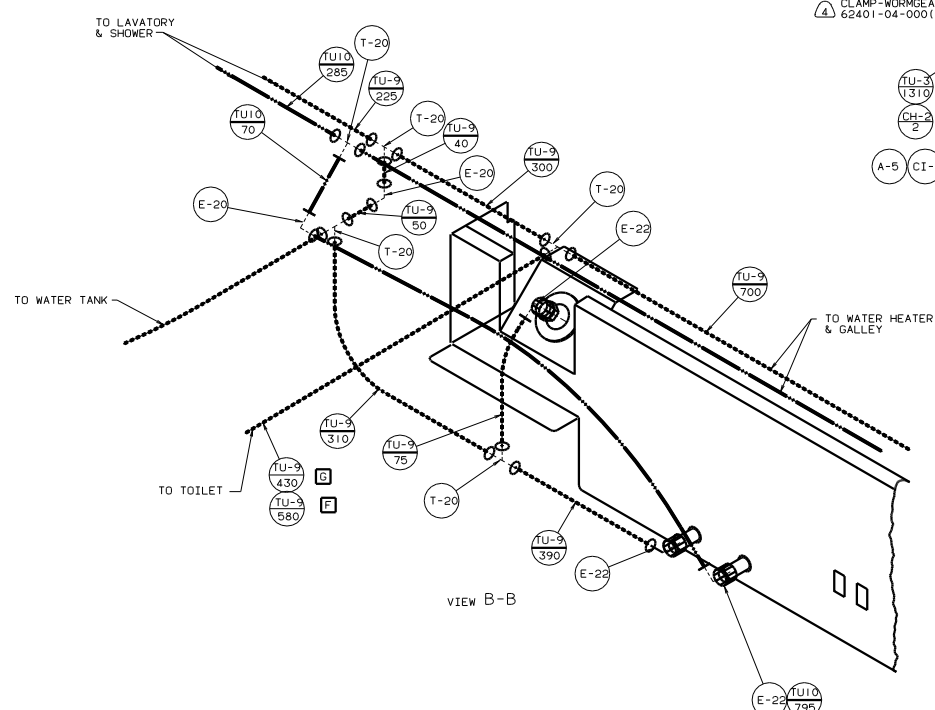
TANK ASM-48 GAL
116881-15-000

99 G30A, FORD

TITLE: WATER SYSTEM INSTL	
30 1/2" SCALE DRAWING	1/16" DIA
SHEET 2 OF 5	129665

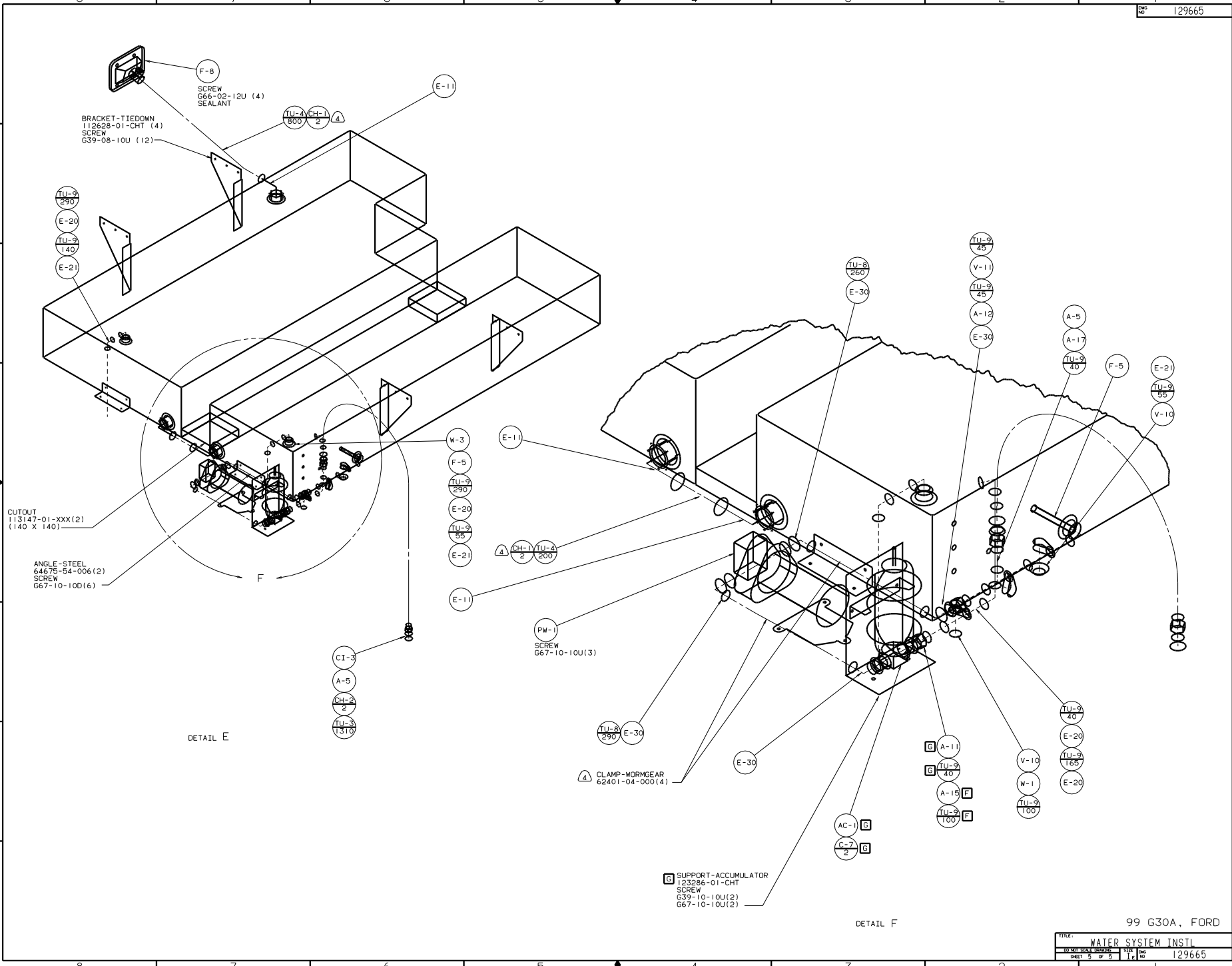


VIEW D-D



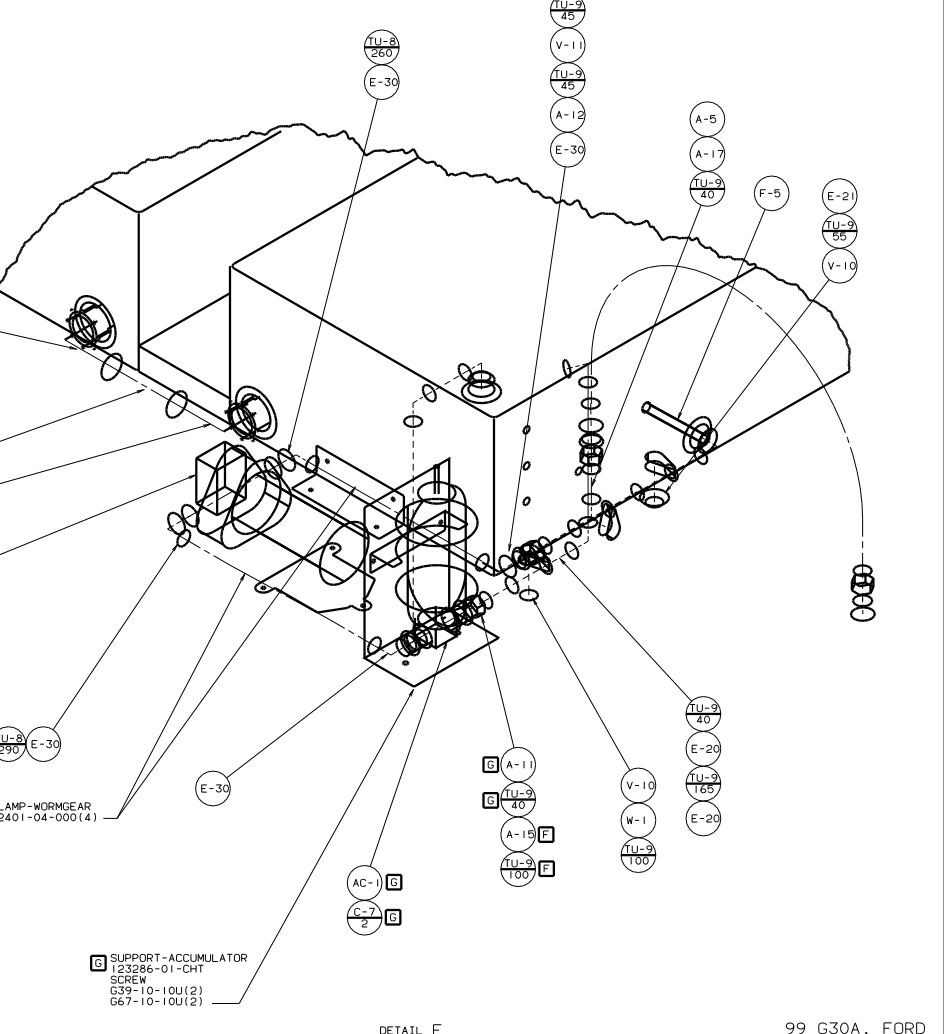
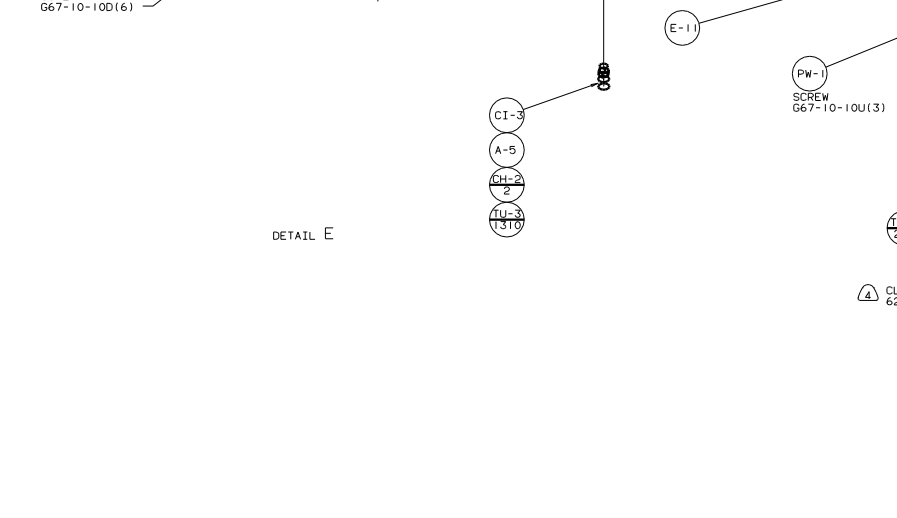
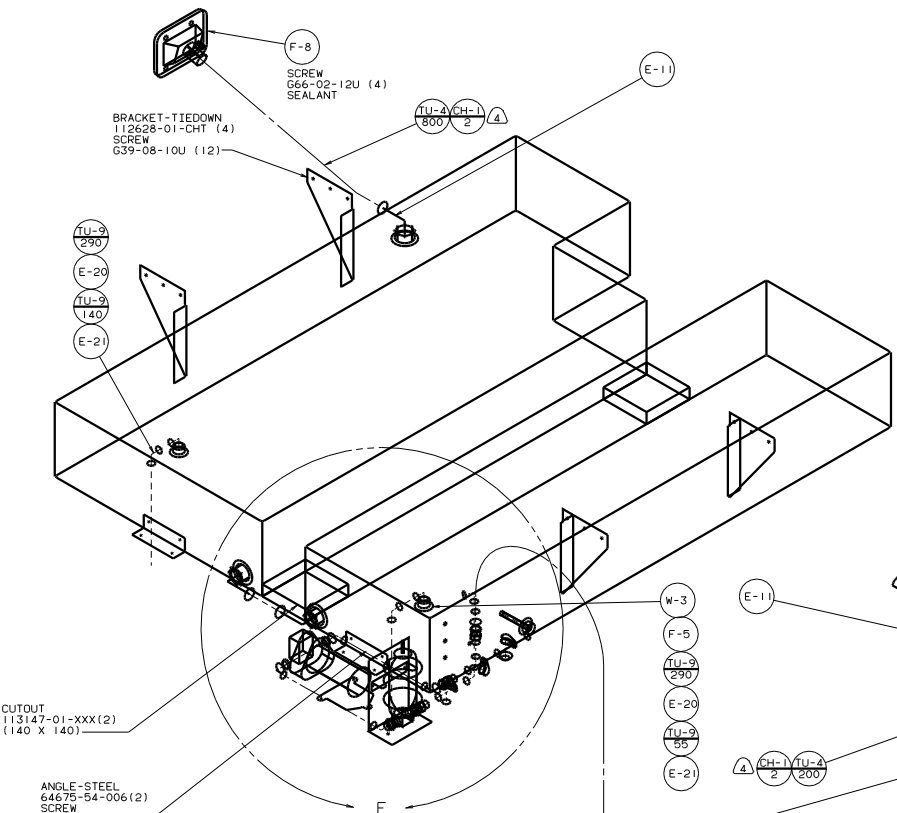
VIEW B-B

99 F & G30A	
TITLE: WATER SYSTEM INSTL	
NO. OF SHEETS	TOTAL SHEETS
3 OF 5	5
129665	



DETAIL E

DETAIL F



TITLE		99 G30A, FORD	
WATER SYSTEM INSTL			
NO	REV	DATE	BY
5	5		
129665			