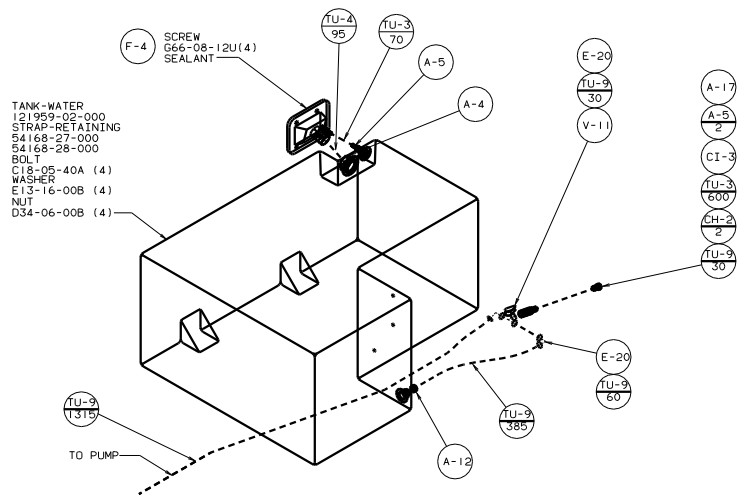


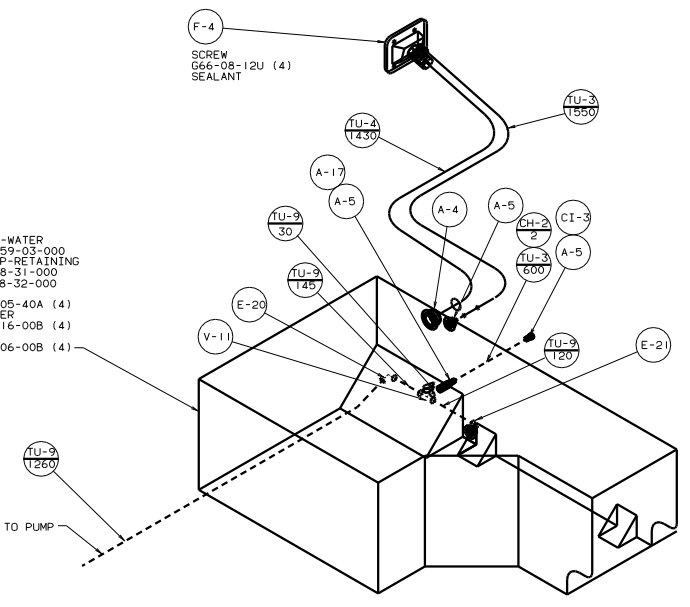
99 F29A

TITLE		WATER SYSTEM INSTL	
NO. OF SHEETS	DATE	REV.	BY
SHEET 2 OF 3		1.6	
			129329



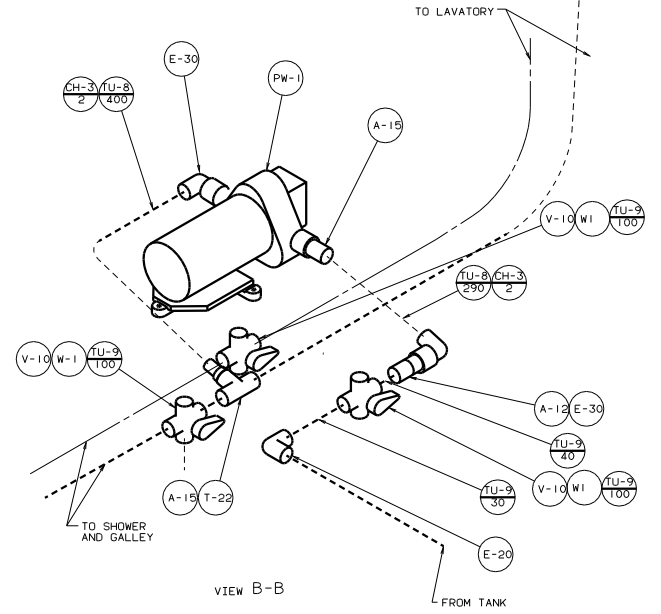
- TANK-WATER  
121959-02-000  
STRAP-RETAINING  
54168-27-000  
54168-28-000  
BOLT  
C18-05-40A (4)  
WASHER  
E13-16-00B (4)  
NUT  
D34-06-00B (4)

DETAIL C  
(TWIN BEDS)  
45G BED-TWINS

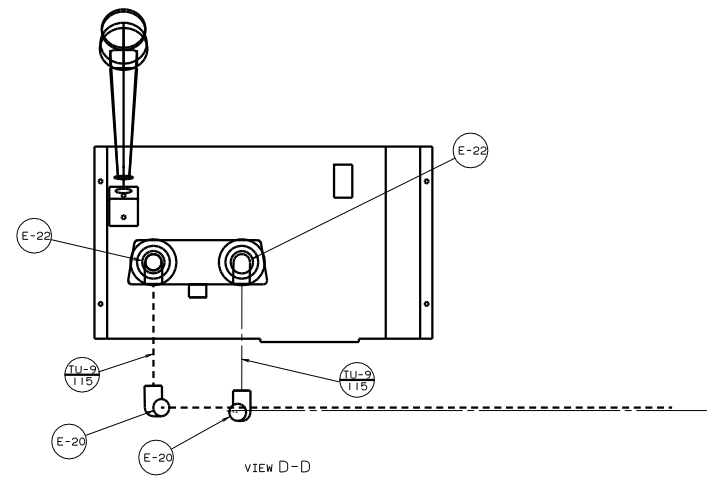


- TANK-WATER  
125359-03-000  
STRAP-RETAINING  
54168-31-000  
54168-32-000  
BOLT  
C18-05-40A (4)  
WASHER  
E13-16-00B (4)  
NUT  
D34-06-00B (4)

DETAIL C  
(QUEEN BED)  
49X BED-QUEEN, CENTERED



VIEW B-B



VIEW D-D