

SINK-SST DOUBLE
 104113-01-000(US/CAN)
 RETAINER
 105497-01-000(4)
 SCREW
 G67-06-10U(8)
 STRAINER W/BASKET
 92303-01-000(2)
 SEAL
 91255-02-000(A/R)

SHOWER SURROUND
 104464-03-CHT
 SHOWER ENCLOSURE INSTL
 104466-01-000
 TAILPIECE
 11069-02-000
 WASHER
 127440-02-CHT
 NUT
 130403-01-000
 STRAINER-TUB, SHOWER DRAIN
 66723-01-000
 SEALANT

SINK-LAVATORY
 105921-01-CHT
 SPACER-SINK
 105218-01-CHT
 STRAINER ASM
 106116-01-CHT
 SEAL
 91255-02-000(A/R)

CLAMP
 62401-05-000(3)
 BRACKET
 95061-01-000(6)
 SCREW
 G67-10-12B(6)

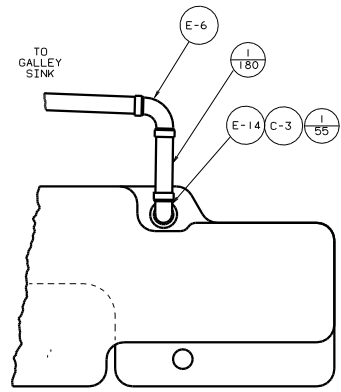
FRONT AXLE

- (1) SECURE PIPES TO CABINET USING WIRE TIE 108046-02-000 AND SCREW G67-10-12U(8).
 - (2) NOT USED ON CANADIAN UNITS.
 - (3) TRIM P-TRAP EXTENSION TO FIT.
- 10 SECURE VENT TUBES TO FLOOR.
- (9) VENT PIPE MUST PROJECT 51 MM MIN AND 63.5 MM MAX ABOVE ROOF FOR PROPER FIT AND FUNCTION.
8. SEE DWG 61607-01-000 FOR INSTL OF GROMMETS.
 7. SEAL ALL AROUND SHOWER WITH SILICONE.
 6. FOR CAN UNITS EACH HOLDING TANK SHALL HAVE A CSA APPROVAL STAMPED NEAR THE JAMPO APPROVAL.
 5. EXPOSED PIPE ABOVE ROOF TO BE PAINTED 37163-01-000.
 4. ALL EXTERIOR OPENINGS AROUND PIPE TO BE SEALED WITH 110744-01-000.
 3. ALL PIPE AND FITTINGS TO BE ASSEMBLED WITH SOLVENT 4020-01-000.
 2. SLOPE OF TRAP ARM MUST BE 6 PER 305.
 1. SLOPE OF HORIZONTAL PIPING TO BE 6 PER 305 MIN.

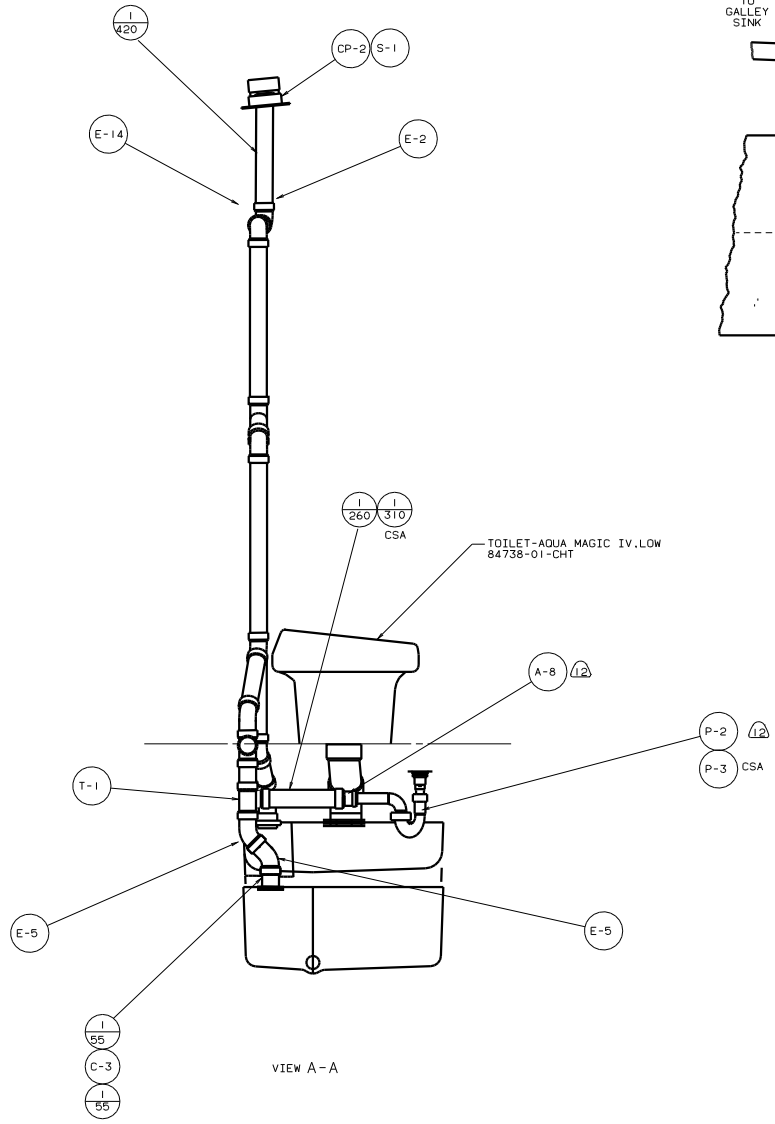
NOTES:

(X-X) FOR DRAINAGE CALLOUTS SEE DWG NO. 116229-01-000

PART NO. DATE UNDESIGNED TOLERANCES ARE: MATERIAL: CHGD DATE ONE-PLACE PL, RL, I DTE DATE TWO-PLACE PL, RL, I W E DATE JANGLE DMD DATE THIRD WELD PROTECTION		WINNEBAGO 98 F26WU	
		LAMPT F26WU TITLE: DRAINAGE SYSTEM INSTL 014 # SCALE NONE TO SHEET (SEE DWG) PER NO ALL DIMENSIONS ARE IN MILLIMETERS SHEET 1 OF 2 127759	

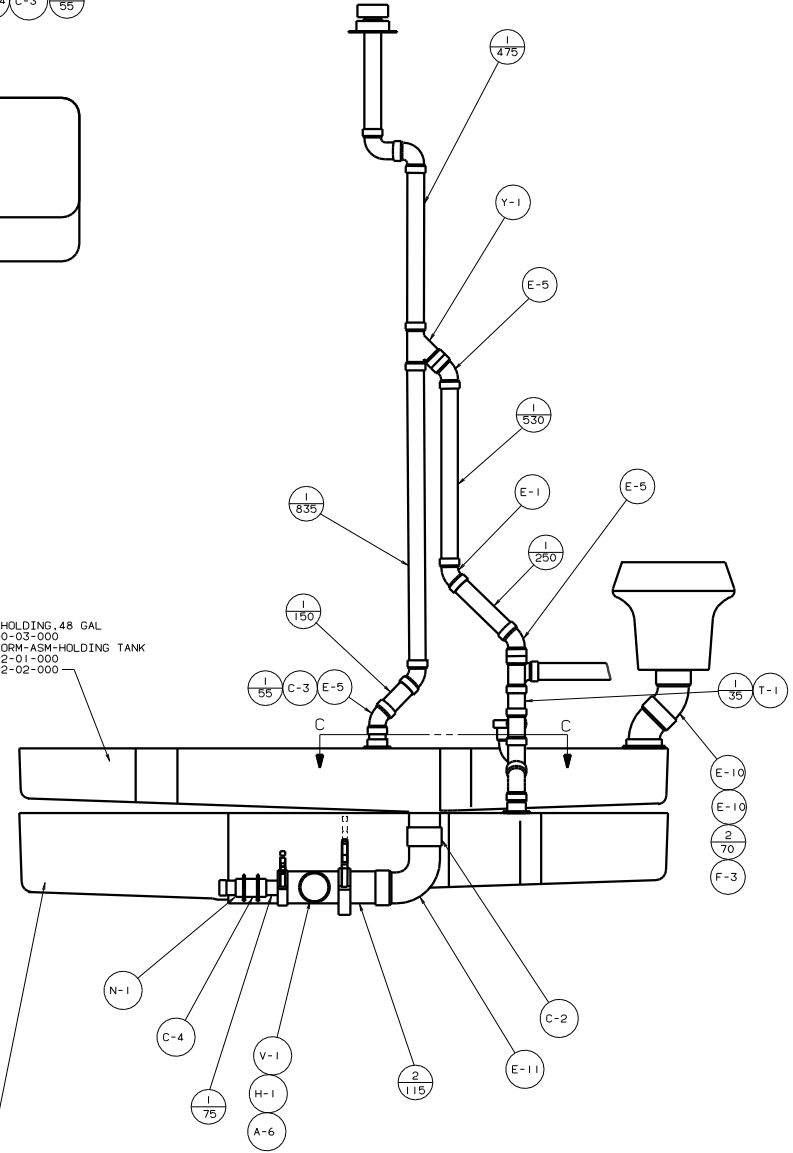


VIEW C-C



VIEW A-A

TANK-HOLDING, 48 GAL
 121500-03-000
 PLATFORM-ASM-HOLDING TANK
 122992-01-000
 122992-02-000

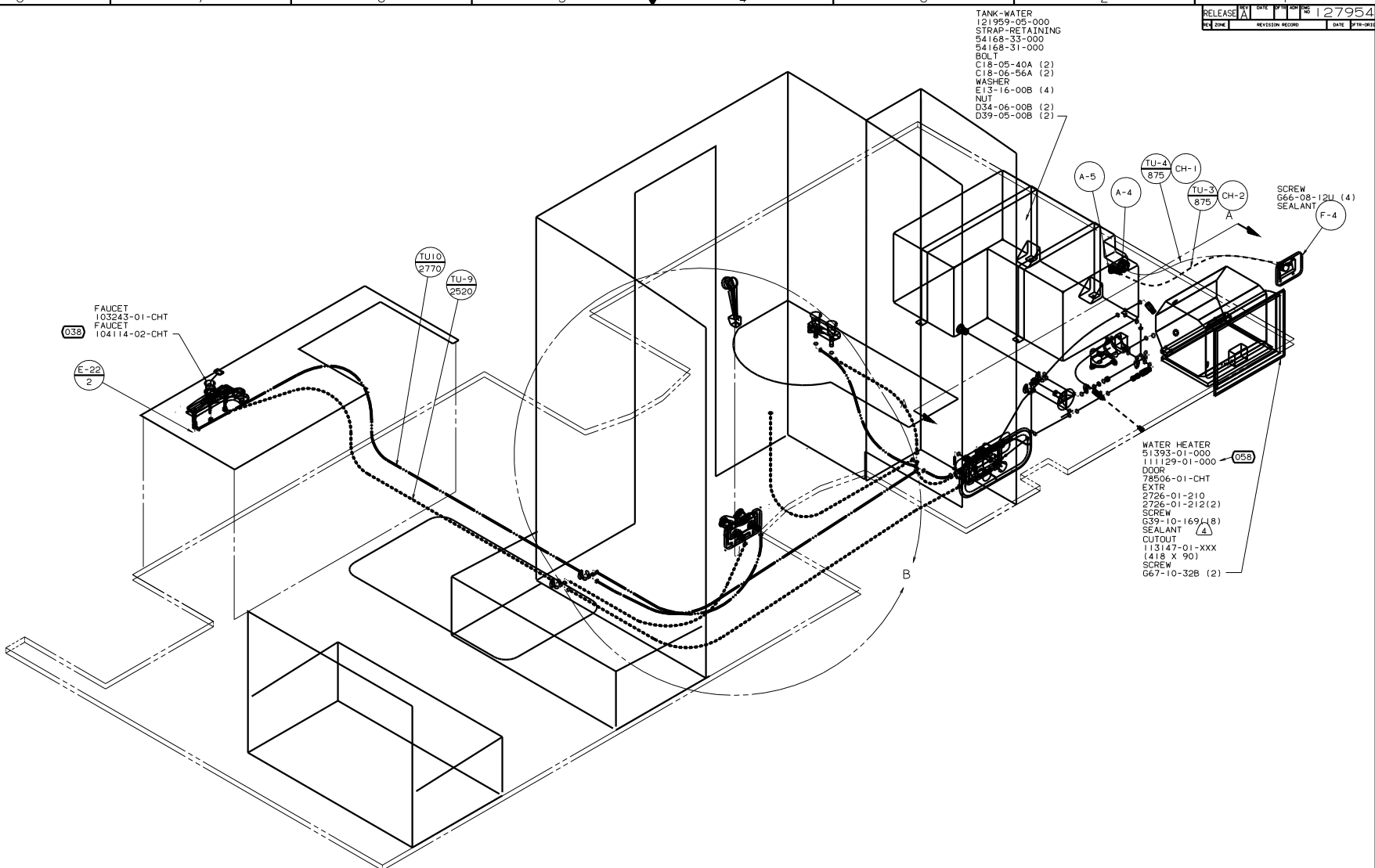


VIEW B-B

TANK-HOLDING, 48 GAL
 121505-03-000
 PLATFORM ASM-HOLDING TANK
 122992-03-000
 122992-04-000

CLAMP
 62401-05-000

TITLE		98 F26WU	
DRAINAGE SYSTEM INSTL			
NO. OF SHEETS	SHEET	DATE	REV.
2	2		



TANK-WATER
 121959-05-000
 STRAP-RETAINING
 54168-33-000
 54168-31-000
 BOLT
 C18-05-40A (2)
 C18-06-56A (2)
 WASHER
 E13-16-00B (4)
 NUT
 D34-06-00B (2)
 D39-05-00B (2)

RELEASE DATE BY 127954
 REVISION RECORD DATE BY

FAUCET
 103243-01-CHT
 FAUCET
 104114-02-CHT

E-22
 2

TU-10
 2770

TU-9
 2520

WATER HEATER
 51393-01-000
 111129-01-000
 DOOR
 78506-01-CHT
 EXTR
 2726-01-210
 2726-01-212(2)
 SCREW
 G39-10-169(8)
 SEALANT
 CUTOUT
 113147-01-XXX
 (4) 1/8" X 90"
 SCREW
 G67-10-32B (2)

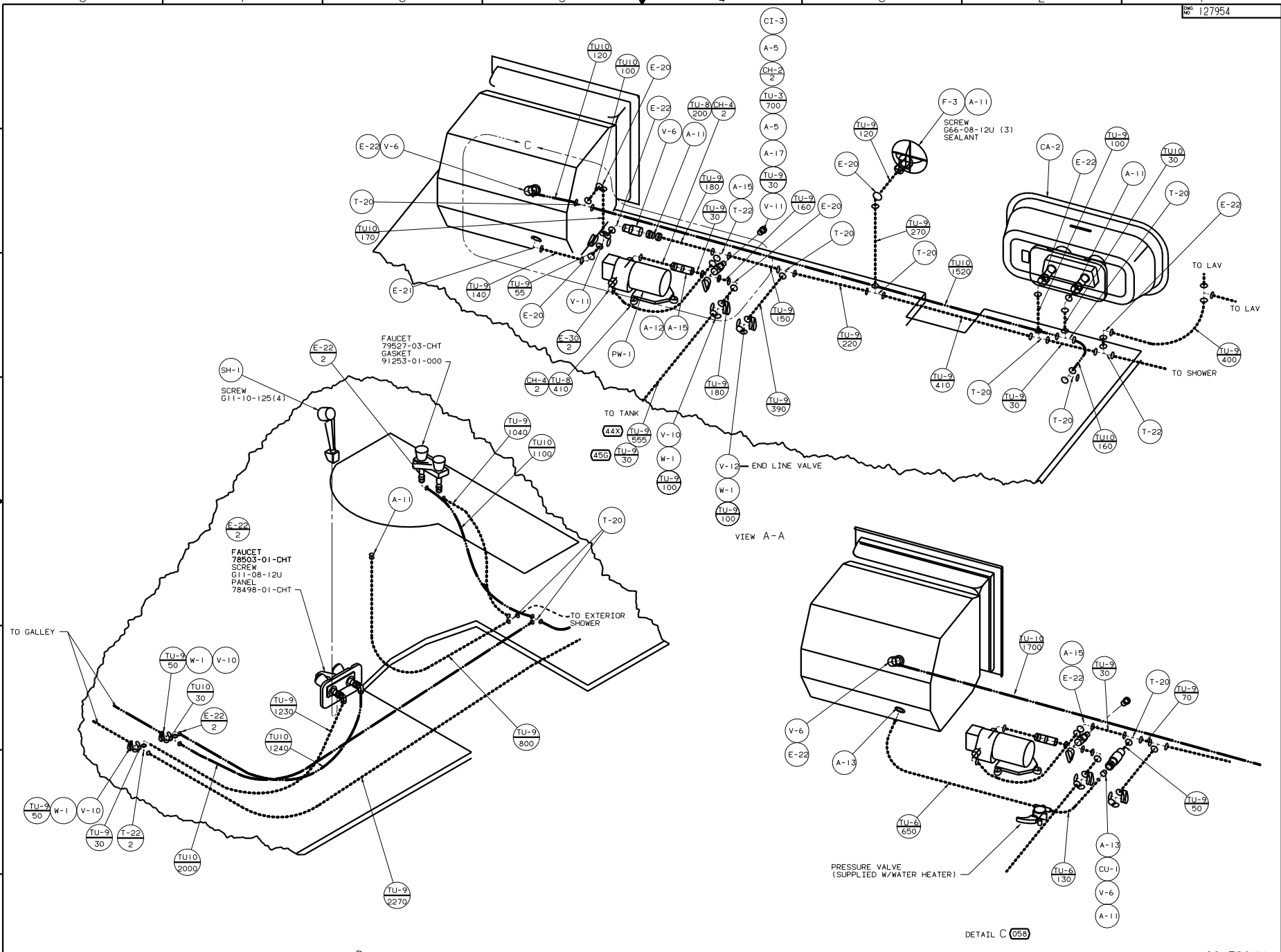
- 45B** BED-TWINS
- 44X** BED-QUEEN-SIDEWALL
- 05B** EUROPEAN EXPORT PREP-PARTIAL
- 03B** CABINET DOOR/FAUCET EXCHANGE

X-X FOR WATER CALLOUTS SEE DWG NO. 116230-01-000

- NOTES:
- LOCATE CUTOUT TO SUPPORT WATER HEATER.
 - ALL TUBING TO BE SECURED AT 1200 INTERVALS MAXIMUM WITH CLAMP 10495-01-000 OR CLIP 91951-01-000 AND SCREW G67-10-12B.
 - TUBING TO BE SECURED WITH SUFFICIENT SLOPE TO PROVIDE DRAINAGE TO NEAREST VALVE.
 - PLASTIC FITTINGS TO BE SEALED WITH SEALANT 84456-01-000.

LEGEND	
HOT	*****
COLD	*****

WINNEBAGO		98 F26WU
DATE	UNDESIGNED TOLERANCES ARE:	MATERIAL
DATE	WHOLE DIM (IN)	F
DATE	ONE-PLACE (IN.X1)	F
DATE	TWO-PLACE (IN.XX)	F
DATE	MIXED	F
DATE	INDUS. WASTE	F
DATE	PRODUCTION	F
LAYOUT NO. F26WU8		TITLE: WATER SYSTEM INSTL
REV #	SCALE	NO. SHEETS
1	1:1	3
ALL DIMENSIONS ARE IN MILLIMETERS		SHEET 1 OF 3



DETAIL B

VIEW A-A

DETAIL C 058

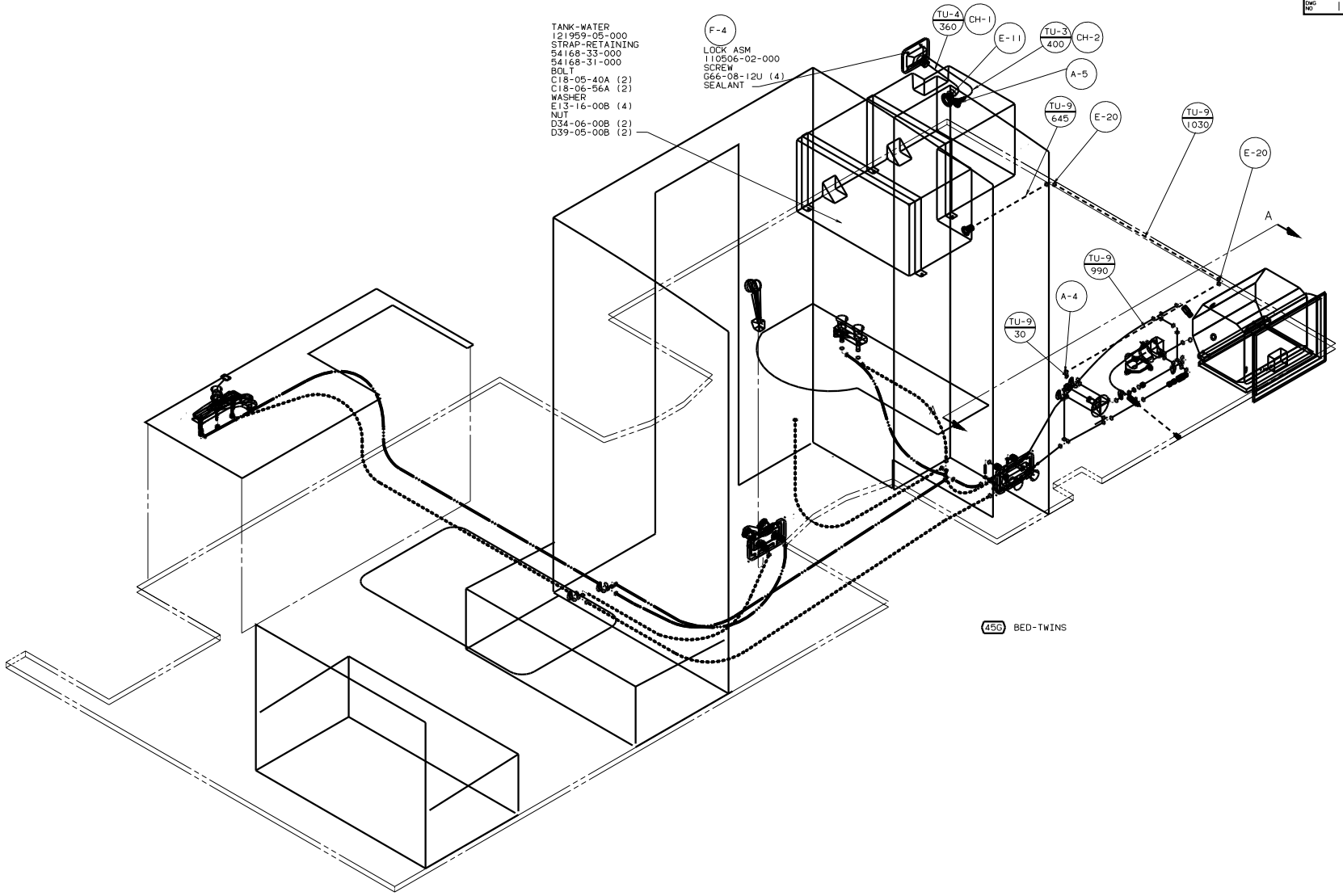
TITLE		WATER SYSTEM INSTL	
NO. OF SHEETS	OF TOTAL SHEETS	REV.	DATE
2	3	1	127954

- TANK-WATER
121959-05-000
- STRAP-RETAINING
54168-33-000
- 54168-31-000
- BOLT
C18-05-40A (2)
- C18-05-56A (2)
- WASHER
E13-16-00B (4)
- NUT
D34-06-00B (2)
- D39-05-00B (2)

- F-4
LOCK ASM
110506-02-000
- SCREW
G66-08-12U (4)
- SEALANT

- TU-2
360
- CH-1
- E-11
- TU-3
400
- CH-2
- A-5
- TU-9
645
- E-20
- TU-9
1030
- E-20

- TU-9
990
- A-4
- TU-9
30



(456) BED-TWINS

LEGEND	
HOT	—————
COLD	- - - - -