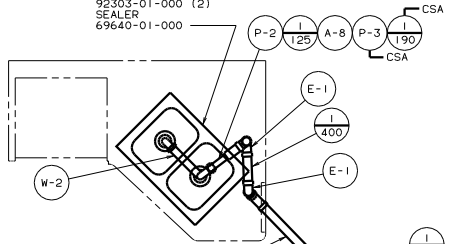
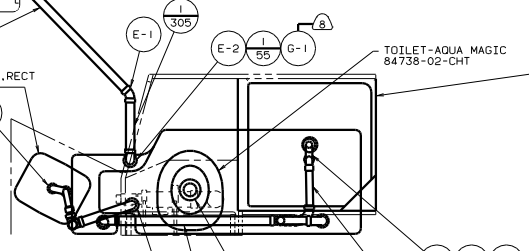


SINK-SST.DOUBLE  
 110654-01-000  
 RETAINER  
 105497-01-000  
 105497-02-000 (5)  
 SCREW  
 G67-06-10U (22)  
 STRAINER-SINK  
 92303-01-000 (2)  
 SEALER  
 69640-01-000

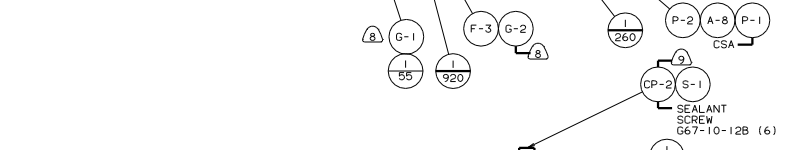


SINK-LAVATORY, RECT  
 96927-01-CHT  
 CSA  
 225 190 P-1 A-8 50 P-2  
 CSA

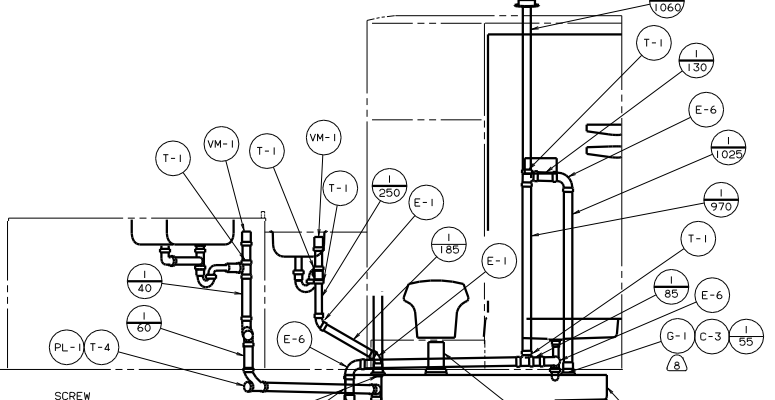


TOILET-AQUA MAGIC  
 84738-02-CHT

SHOWER INSTL-ENCLOSURE (7)  
 102834-01-000  
 STRAINER  
 66729-01-000  
 SEALANT  
 (10) NUT  
 WASHER-RUBBER  
 127440-02-CHT  
 TAILPIECE  
 11069-03-000 (US)  
 11069-02-000 (CAN)



SEALANT  
 SCREW  
 G67-10-12B (6)



SCREW  
 G67-10-12B (8)  
 BRACKET  
 35061-01-000 (8)  
 CLAMP  
 62401-05-000 (4)

TANK-HOLDING, 30 GAL  
 117925-02-000  
 PLATFORM ASM  
 122992-02-000  
 122992-06-000

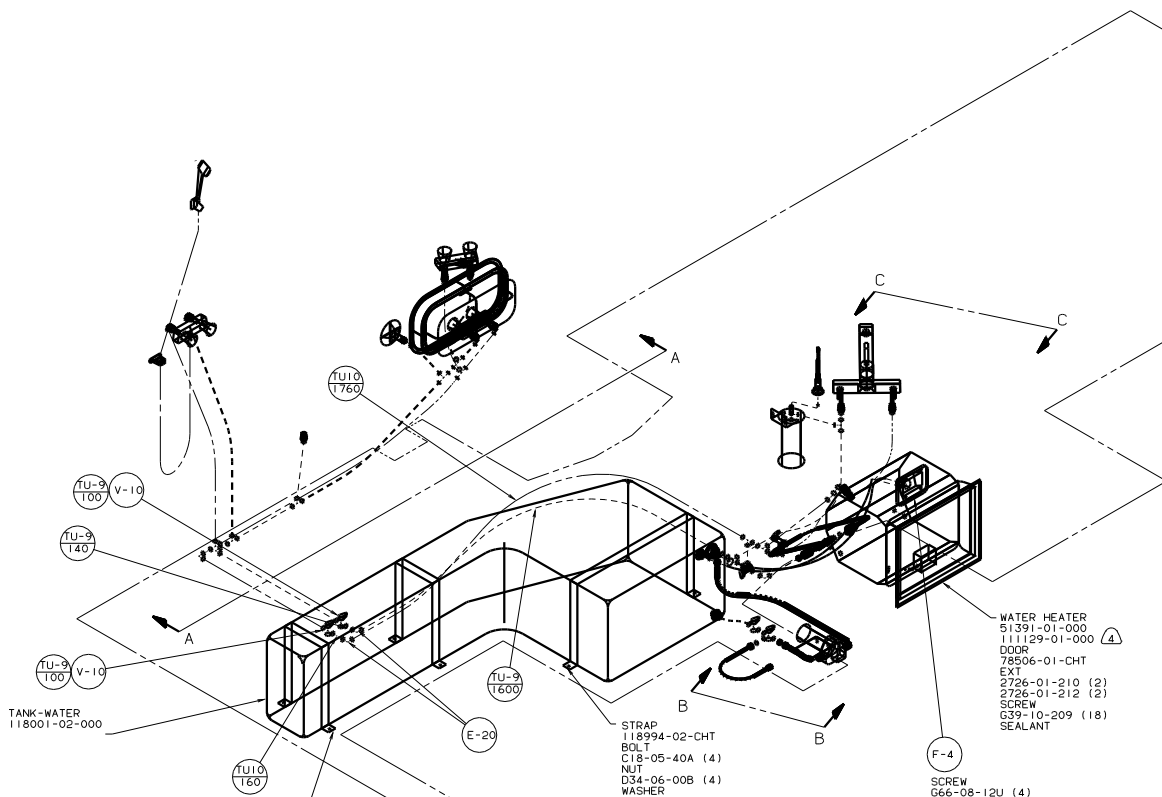
TANK-HOLDING, 35 GAL  
 117924-02-000

- (2) SECURE PIPES TO CABINET USING WIRE TIE 108046-02-000 AND SCREW G67-10-12U(8).
- (1) SECURE VENT TUBES TO FLOOR.
- (10) INCLUDED WITH GALLEY STRAINER.
- (9) VENT PIPE MUST PROJECT 51 MM MIN AND 63.5 MM MAX ABOVE ROOF FOR PROPER FIT AND FUNCTION.
- (8) SEE DWG 61607-01-000 FOR INSTL OF GROMMET.
- (7) SEAL ALL AROUND SHOWER WITH SILICONE 78474-01-CHT.
6. FOR CAN UNITS EACH HOLDING TANK SHALL HAVE A CSA APPROVAL STAMPED NEAR THE IAPMO APPROVAL.
5. EXPOSED PIPE ABOVE ROOF TO BE PAINTED 37163-01-000.
4. ALL EXTERIOR OPENINGS AROUND PIPE TO BE SEALED WITH 69637-01-000.
3. ALL PIPE AND FITTINGS TO BE ASSEMBLED WITH SOLVENT 4020-01-000.
2. SLOPE OF TRAP ARM MUST BE 6 PER 305.
1. SLOPE OF HORIZONTAL PIPING TO BE 6 PER 305 MINIMUM.

NOTES:

FOR DRAINAGE CALLOUTS SEE DWG NO. 116229-01-000

WINNEGAGO		96 F25RC
QTY	UNSPECIFIED TOLERANCES ARE:	MATERIAL
CHD	HALF DIM (H)	
DR	ONE-PLACE (H, A1)	
TR	TWO-PLACE (H, A1)	
W	W	
CON	INDIC. WHOLE PROJECTION	
LAYOUT F25RC	TITLE	DRAINAGE SYSTEM INSTL
DWG NO. 116229-01-000	SHEET 1 OF 1	DWG NO. 118017



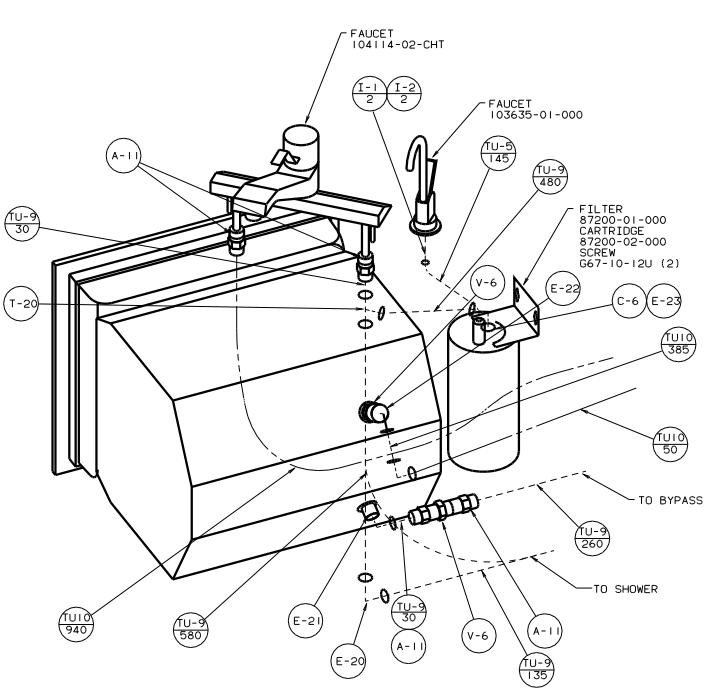
- ⑦ NOT USED WITH WIE EXPORT PACKAGE.
- ⑥ USE WITH W.I.E. EXPORT PACKAGE.
- ⑤ PRESSURE VALVE MUST BE BETWEEN THE WATER HEATER AND CHECK VALVE OR BYPASS KIT.
- ④ USE WITH W.I.E. EXPORT PREP PACKAGE.
- 3. ALL TUBING TO BE SECURED AT 1219 SPACING MAXIMUM WITH CLAMP 10495-01-000 AND SCREW G67-10-12B.
- 2. PLASTIC FITTINGS TO BE SEALED WITH SEALANT 84456-01-000.
- 1. TUBING TO BE INSTALLED WITH SUFFICIENT SLOPE TO PROVIDE DRAINAGE TO NEAREST VALVE.

LEGEND	
HOT	-----
COLD	—————

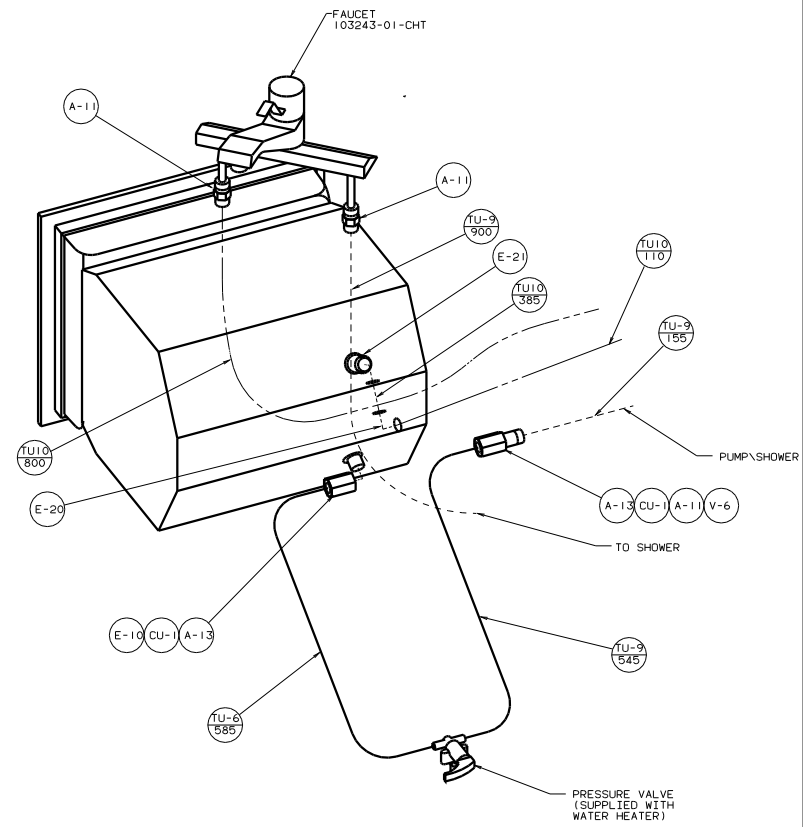
(X-X)  
 FOR WATER CALLOUTS SEE DWG NO. 116230-01-000

		97 F25RC	
		DATE	UNSPECIFIED TOLERANCES ARE:
DATE	WHOLE DIMS (1)	1/8"	MATERIAL
DATE	ONE-PLACE (1/32)		
DATE	TWO-PLACE (1/64)		
DATE	THREE-PLACE (1/128)		
DATE	FOUR-PLACE (1/256)		
DATE	FIVE-PLACE (1/512)		
DATE	SIX-PLACE (1/1024)		
DATE	SEVEN-PLACE (1/2048)		
DATE	EIGHT-PLACE (1/4096)		
DATE	TEN-PLACE (1/10240)		
DATE	TWELVE-PLACE (1/20480)		
DATE	FIFTEEN-PLACE (1/32768)		
DATE	TWENTY-PLACE (1/65536)		
DATE	THIRTY-PLACE (1/98304)		
DATE	FOURTY-PLACE (1/131072)		
DATE	FIFTY-PLACE (1/163840)		
DATE	SIXTY-PLACE (1/196608)		
DATE	SEVENTY-PLACE (1/229376)		
DATE	EIGHTY-PLACE (1/262144)		
DATE	NINETY-PLACE (1/294912)		
DATE	HUNDRED-PLACE (1/327680)		
DATE	HUNDRED AND ONE-PLACE (1/327680)		
DATE	HUNDRED AND TWO-PLACE (1/327680)		
DATE	HUNDRED AND THREE-PLACE (1/327680)		
DATE	HUNDRED AND FOUR-PLACE (1/327680)		
DATE	HUNDRED AND FIVE-PLACE (1/327680)		
DATE	HUNDRED AND SIX-PLACE (1/327680)		
DATE	HUNDRED AND SEVEN-PLACE (1/327680)		
DATE	HUNDRED AND EIGHT-PLACE (1/327680)		
DATE	HUNDRED AND NINE-PLACE (1/327680)		
DATE	HUNDRED AND TEN-PLACE (1/327680)		
DATE	HUNDRED AND ELEVEN-PLACE (1/327680)		
DATE	HUNDRED AND TWELVE-PLACE (1/327680)		
DATE	HUNDRED AND THIRTEEN-PLACE (1/327680)		
DATE	HUNDRED AND FOURTEEN-PLACE (1/327680)		
DATE	HUNDRED AND FIFTEEN-PLACE (1/327680)		
DATE	HUNDRED AND SIXTEEN-PLACE (1/327680)		
DATE	HUNDRED AND SEVENTEEN-PLACE (1/327680)		
DATE	HUNDRED AND EIGHTEEN-PLACE (1/327680)		
DATE	HUNDRED AND NINETEEN-PLACE (1/327680)		
DATE	HUNDRED AND TWENTY-PLACE (1/327680)		
DATE	HUNDRED AND TWENTY-ONE-PLACE (1/327680)		
DATE	HUNDRED AND TWENTY-TWO-PLACE (1/327680)		
DATE	HUNDRED AND TWENTY-THREE-PLACE (1/327680)		
DATE	HUNDRED AND TWENTY-FOUR-PLACE (1/327680)		
DATE	HUNDRED AND TWENTY-FIVE-PLACE (1/327680)		
DATE	HUNDRED AND TWENTY-SIX-PLACE (1/327680)		
DATE	HUNDRED AND TWENTY-SEVEN-PLACE (1/327680)		
DATE	HUNDRED AND TWENTY-EIGHT-PLACE (1/327680)		
DATE	HUNDRED AND TWENTY-NINE-PLACE (1/327680)		
DATE	HUNDRED AND THIRTY-PLACE (1/327680)		
DATE	HUNDRED AND THIRTY-ONE-PLACE (1/327680)		
DATE	HUNDRED AND THIRTY-TWO-PLACE (1/327680)		
DATE	HUNDRED AND THIRTY-THREE-PLACE (1/327680)		
DATE	HUNDRED AND THIRTY-FOUR-PLACE (1/327680)		
DATE	HUNDRED AND THIRTY-FIVE-PLACE (1/327680)		
DATE	HUNDRED AND THIRTY-SIX-PLACE (1/327680)		
DATE	HUNDRED AND THIRTY-SEVEN-PLACE (1/327680)		
DATE	HUNDRED AND THIRTY-EIGHT-PLACE (1/327680)		
DATE	HUNDRED AND THIRTY-NINE-PLACE (1/327680)		
DATE	HUNDRED AND FORTY-PLACE (1/327680)		
DATE	HUNDRED AND FORTY-ONE-PLACE (1/327680)		
DATE	HUNDRED AND FORTY-TWO-PLACE (1/327680)		
DATE	HUNDRED AND FORTY-THREE-PLACE (1/327680)		
DATE	HUNDRED AND FORTY-FOUR-PLACE (1/327680)		
DATE	HUNDRED AND FORTY-FIVE-PLACE (1/327680)		
DATE	HUNDRED AND FORTY-SIX-PLACE (1/327680)		
DATE	HUNDRED AND FORTY-SEVEN-PLACE (1/327680)		
DATE	HUNDRED AND FORTY-EIGHT-PLACE (1/327680)		
DATE	HUNDRED AND FORTY-NINE-PLACE (1/327680)		
DATE	HUNDRED AND FIFTY-PLACE (1/327680)		
DATE	HUNDRED AND FIFTY-ONE-PLACE (1/327680)		
DATE	HUNDRED AND FIFTY-TWO-PLACE (1/327680)		
DATE	HUNDRED AND FIFTY-THREE-PLACE (1/327680)		
DATE	HUNDRED AND FIFTY-FOUR-PLACE (1/327680)		
DATE	HUNDRED AND FIFTY-FIVE-PLACE (1/327680)		
DATE	HUNDRED AND FIFTY-SIX-PLACE (1/327680)		
DATE	HUNDRED AND FIFTY-SEVEN-PLACE (1/327680)		
DATE	HUNDRED AND FIFTY-EIGHT-PLACE (1/327680)		
DATE	HUNDRED AND FIFTY-NINE-PLACE (1/327680)		
DATE	HUNDRED AND SIXTY-PLACE (1/327680)		
DATE	HUNDRED AND SIXTY-ONE-PLACE (1/327680)		
DATE	HUNDRED AND SIXTY-TWO-PLACE (1/327680)		
DATE	HUNDRED AND SIXTY-THREE-PLACE (1/327680)		
DATE	HUNDRED AND SIXTY-FOUR-PLACE (1/327680)		
DATE	HUNDRED AND SIXTY-FIVE-PLACE (1/327680)		
DATE	HUNDRED AND SIXTY-SIX-PLACE (1/327680)		
DATE	HUNDRED AND SIXTY-SEVEN-PLACE (1/327680)		
DATE	HUNDRED AND SIXTY-EIGHT-PLACE (1/327680)		
DATE	HUNDRED AND SIXTY-NINE-PLACE (1/327680)		
DATE	HUNDRED AND SEVENTY-PLACE (1/327680)		
DATE	HUNDRED AND SEVENTY-ONE-PLACE (1/327680)		
DATE	HUNDRED AND SEVENTY-TWO-PLACE (1/327680)		
DATE	HUNDRED AND SEVENTY-THREE-PLACE (1/327680)		
DATE	HUNDRED AND SEVENTY-FOUR-PLACE (1/327680)		
DATE	HUNDRED AND SEVENTY-FIVE-PLACE (1/327680)		
DATE	HUNDRED AND SEVENTY-SIX-PLACE (1/327680)		
DATE	HUNDRED AND SEVENTY-SEVEN-PLACE (1/327680)		
DATE	HUNDRED AND SEVENTY-EIGHT-PLACE (1/327680)		
DATE	HUNDRED AND SEVENTY-NINE-PLACE (1/327680)		
DATE	HUNDRED AND EIGHTY-PLACE (1/327680)		
DATE	HUNDRED AND EIGHTY-ONE-PLACE (1/327680)		
DATE	HUNDRED AND EIGHTY-TWO-PLACE (1/327680)		
DATE	HUNDRED AND EIGHTY-THREE-PLACE (1/327680)		
DATE	HUNDRED AND EIGHTY-FOUR-PLACE (1/327680)		
DATE	HUNDRED AND EIGHTY-FIVE-PLACE (1/327680)		
DATE	HUNDRED AND EIGHTY-SIX-PLACE (1/327680)		
DATE	HUNDRED AND EIGHTY-SEVEN-PLACE (1/327680)		
DATE	HUNDRED AND EIGHTY-EIGHT-PLACE (1/327680)		
DATE	HUNDRED AND EIGHTY-NINE-PLACE (1/327680)		
DATE	HUNDRED AND NINETY-PLACE (1/327680)		
DATE	HUNDRED AND NINETY-ONE-PLACE (1/327680)		
DATE	HUNDRED AND NINETY-TWO-PLACE (1/327680)		
DATE	HUNDRED AND NINETY-THREE-PLACE (1/327680)		
DATE	HUNDRED AND NINETY-FOUR-PLACE (1/327680)		
DATE	HUNDRED AND NINETY-FIVE-PLACE (1/327680)		
DATE	HUNDRED AND NINETY-SIX-PLACE (1/327680)		
DATE	HUNDRED AND NINETY-SEVEN-PLACE (1/327680)		
DATE	HUNDRED AND NINETY-EIGHT-PLACE (1/327680)		
DATE	HUNDRED AND NINETY-NINE-PLACE (1/327680)		
DATE	HUNDRED AND ONE HUNDRED-PLACE (1/327680)		





VIEW C-C  
(WITH WATER FILTER)



VIEW C-C 6