

14 SECURE PIPES TO CABINET USING WIRE TIE
108046-02-000 AND SCREW C67-10-12B(8).

13 CLAMP TO CABINET (2 PLACES)..

12 NOT USED ON CANADIAN UNITS.

11 TRIM P-TRAP EXTENSION TO FIT.

10 SECURE VENT TUBES TO FLOOR WITH BRACKET 95061-01-000(2), CLAMP 62401-02-000,
SCREW G67-10-12B(2).

9 VENT PIPE MUST PROJECT 51 MM MIN AND 63.5 MM MAX
ABOVE ROOF FOR PROPER FIT AND FUNCTION.

8. SEE DWG 61607-01-000 FOR INSTL OF GROMMETS.

7. SEAL ALL AROUND SHOWER WITH SILICONE.

6. FOR CAN UNITS EACH HOLDING TANK SHALL HAVE A CSA APPROVAL STAMPED NEAR THE IAMPO APPROVAL..

5. EXPOSED PIPE ABOVE ROOF TO BE PAINTED 37163-01-000.

4. ALL EXTERIOR OPENINGS AROUND PIPE TO BE SEALED WITH 110744-01-000.

3. ALL PIPE AND FITTINGS TO BE ASSEMBLED WITH SOLVENT 4020-01-000.

2. SLOPE OF TRAP ARM MUST BE 6 PER 305.

1. SLOPE OF HORIZONTAL PIPING TO BE 6 PER 305 MIN.

NOTES:

TANK ASM-HOLDING
129966-02-000
PLATFORM ASM-HLDG TANK
118286-07-XXX
PLATFORM ASM-HLDG TANK
118286-08-XXX
PANEL ASM-DUCT/TANK SUPPORT
132941-01-CHT

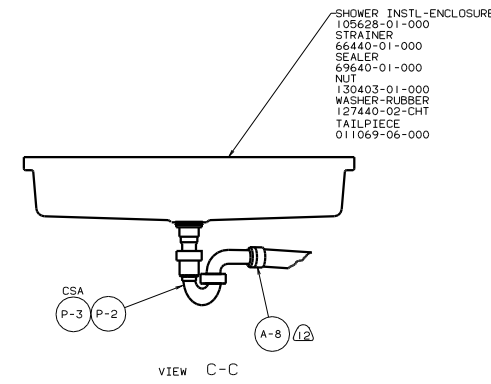
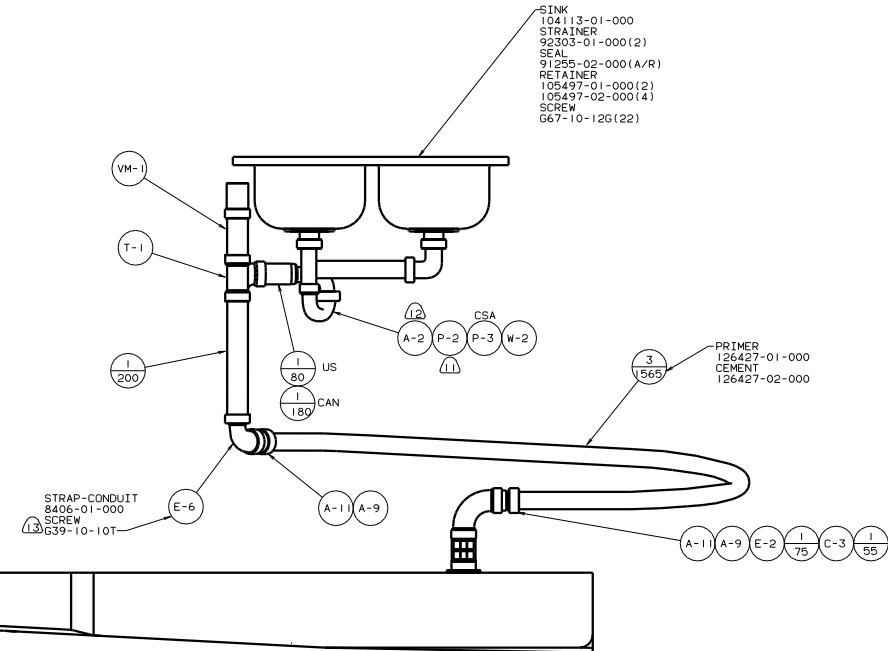
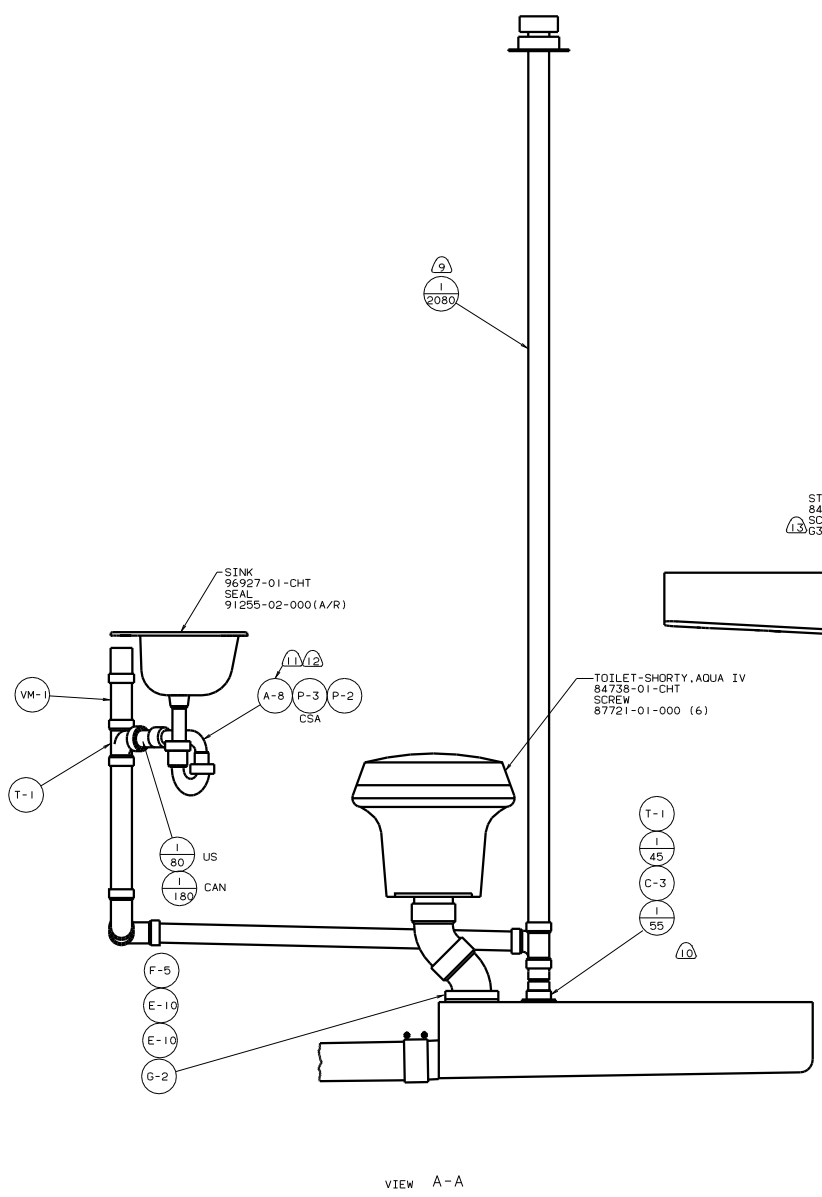
TANK ASM-HOLDING
129964-02-000
PLATFORM ASM-HLDG TANK
118286-07-XXX
PLATFORM ASM-HLDG TANK
118286-08-XXX

BRACKET-TIEDOWN
112628-05-CHT

BRACKET-TANK
130734-01-CHT

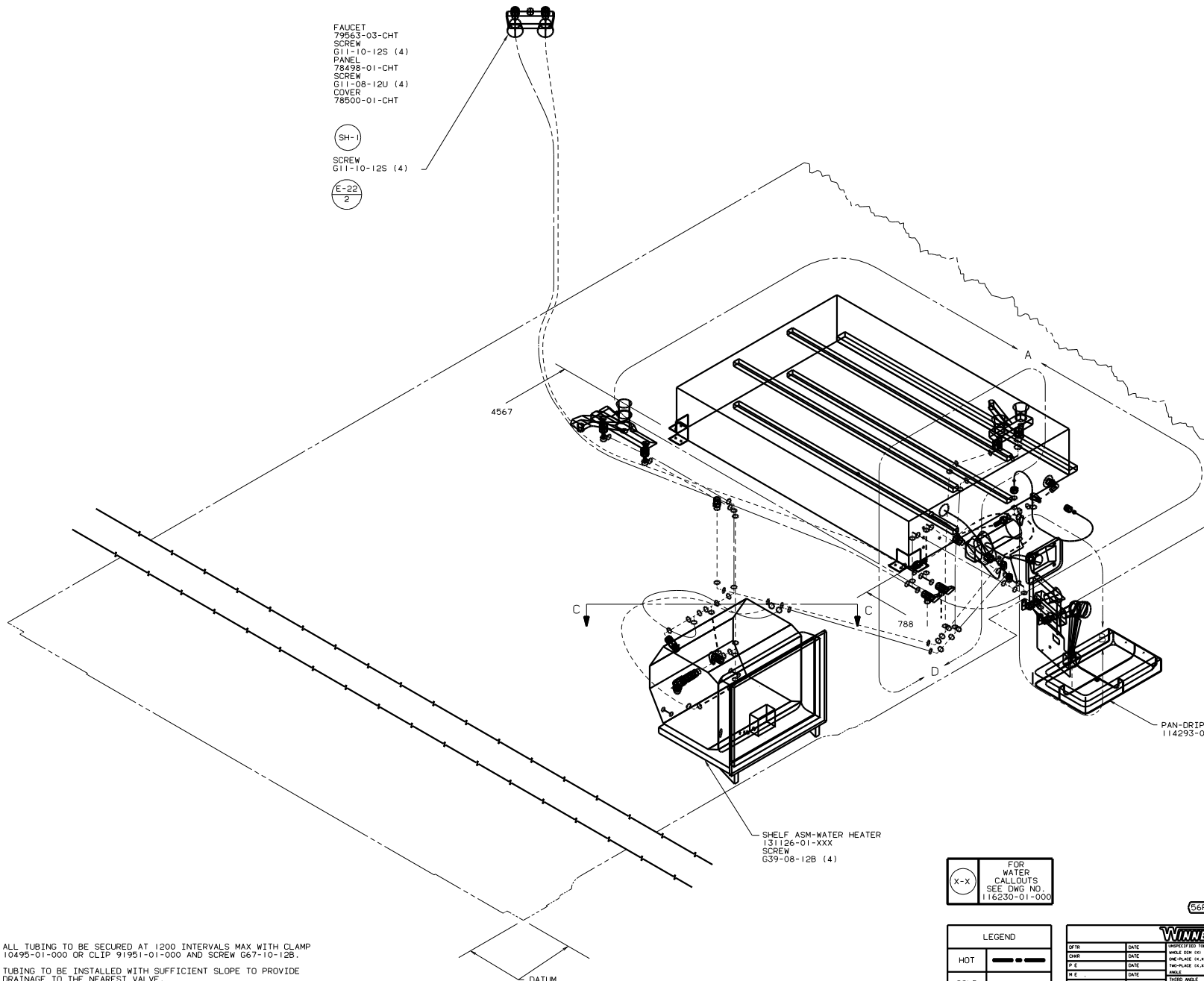
(X-X) FOR DRAINAGE CALLOUTS SEE DWG NO. 116229-01-000

WINNEBAGO 99 430V	
DATE	UNDESIGNED TOLERANCES ARE:
DATE	WHOLE DIMS (IN) ± .5
DATE	ONE-PLACE (IN) ± .1
DATE	TWO-PLACE (IN) ± .05
DATE	MILLS
DATE	THRU: WHOLE PROJECTION
DATE	DATE
LAYOUT NO. 430V9	TITLE: DRAINAGE SYSTEM INSTL
DWG NO. 130193	
SCALE: NONE	REF: 128610 H 1



FAUCET
 79563-03-CHT
 SCREW
 G11-10-12S (4)
 PANEL
 78498-01-CHT
 SCREW
 G11-08-12U (4)
 COVER
 78500-01-CHT

(SH-1)
 SCREW
 G11-10-12S (4)
 (E-22)
 2



- NOTES:
1. PLASTIC FITTINGS TO BE SEALED WITH SEALANT 84456-01-000.
 2. TUBING TO BE INSTALLED WITH SUFFICIENT SLOPE TO PROVIDE DRAINAGE TO THE NEAREST VALVE.
 3. ALL TUBING TO BE SECURED AT 1200 INTERVALS MAX WITH CLAMP 10495-01-000 OR CLIP 91951-01-000 AND SCREW G67-10-12B.

SHELF ASM-WATER HEATER
 131126-01-XXX
 SCREW
 G39-08-12B (4)

PAN-DRIP EXTERIOR
 114293-01-CHT

(X-X) FOR WATER CALLOUTS SEE DWG NO. 116230-01-000

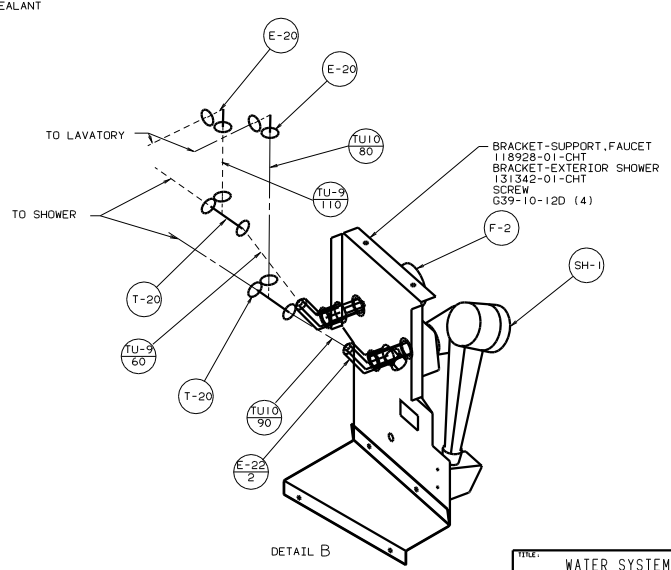
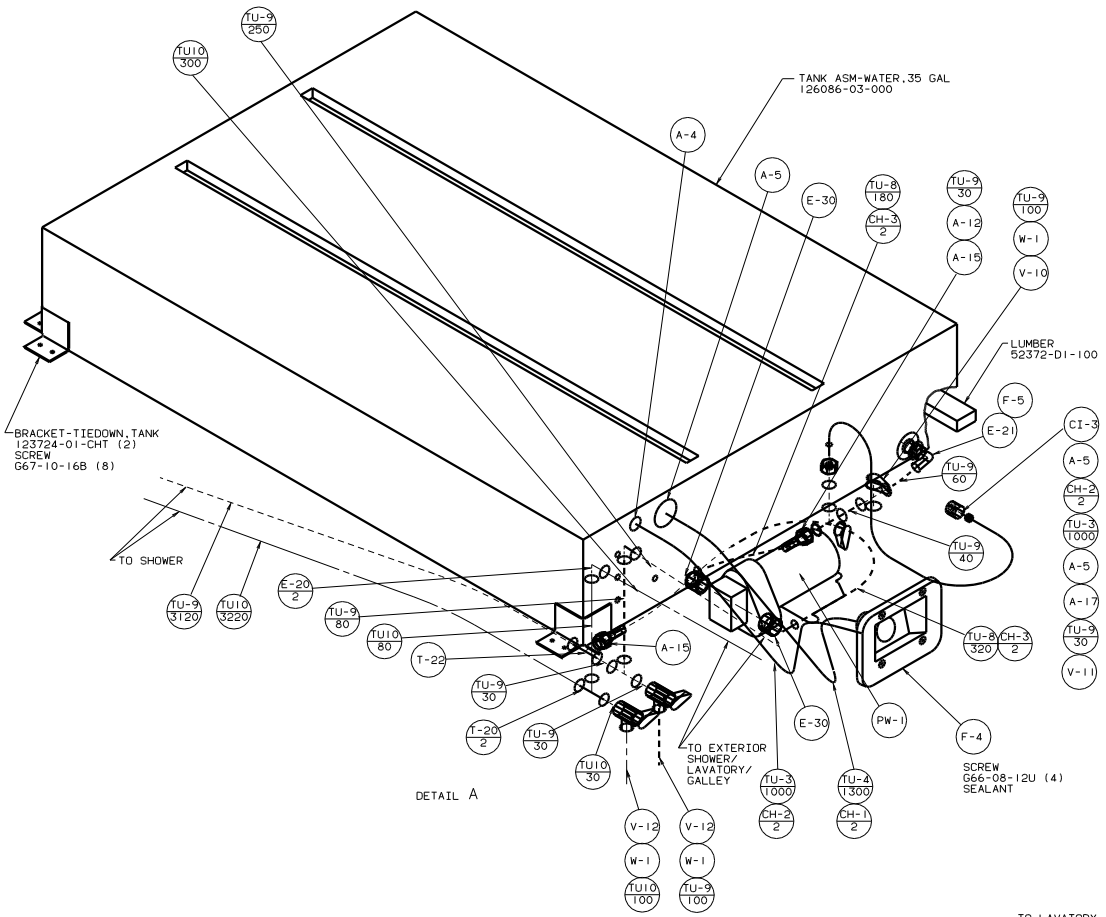
LEGEND

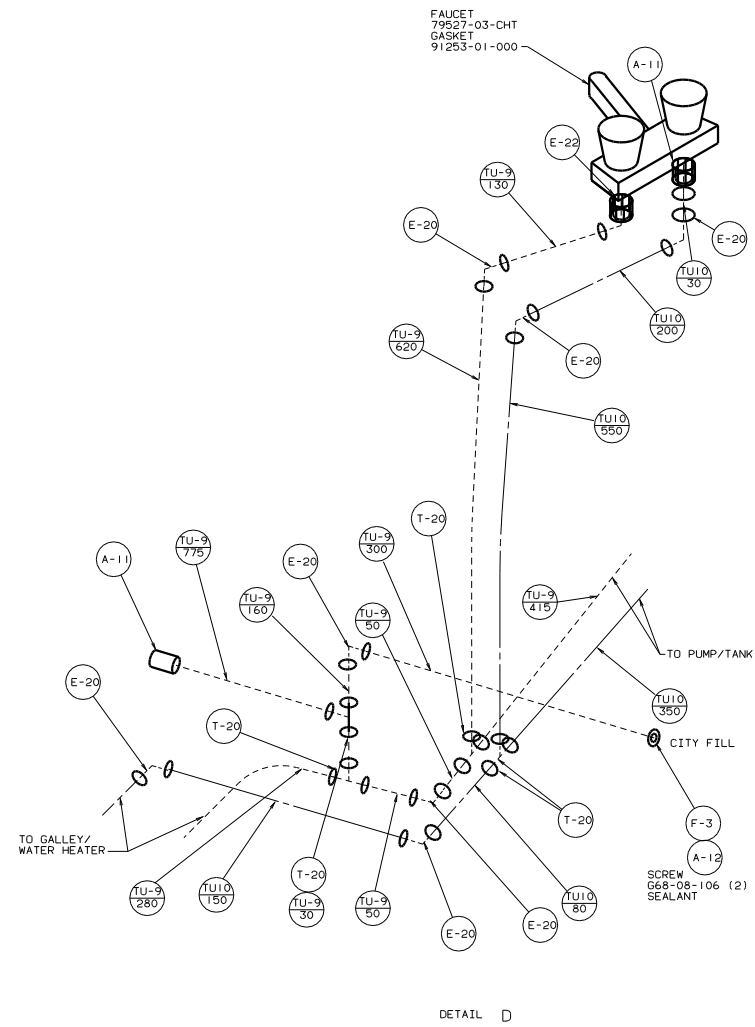
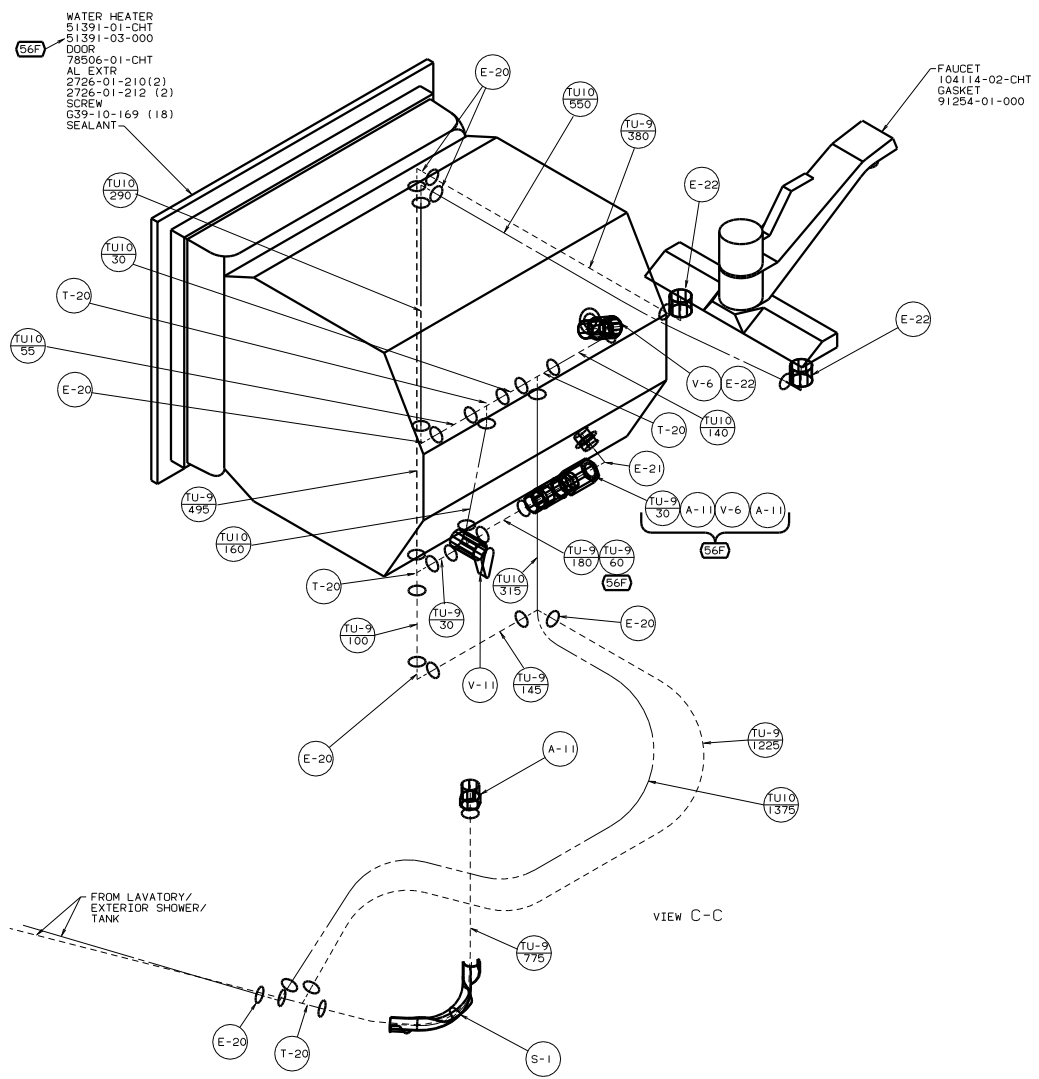
HOT	●●●●●
COLD	●●●●●

(56F) REAR AUTO HEATER

WINNEBAGO		99 430V
OF IN	DATE	UNSPECIFIED TOLERANCES ARE
CHP	DATE	ONE-PLACE (R.A1)
TYPE	DATE	TWO-PLACE (R.A2)
D/E	DATE	THREE-PLACE (R.A3)
CONP	DATE	INDICATE WELD PRODUCTION
LAUNCH NO.	430V9	TITLE: WATER SYSTEM INSTL
REV #	SCALE: NONE	DO NOT SCALE DIMENSIONS
ALL DIMENSIONS ARE IN MILLIMETERS	SHEET 1 OF 3	130461

H
G
F
E
D
C
B
A





REAR AUTO HEATER

99 430V

TITLE		WATER SYSTEM INSTL	
PROJECT NO.	REV	DATE	BY
130461	1		
DRAWN BY		130461	