

- (17) CADDY-SHOWER 105707-01-CHT
- (17) PANEL-REINF 102028-03-000
- (17) TAPE 76322-01-000
- (17) SCREW G11-08-12B (16)
- (17) COVER 78500-01-CHT (16)

- (17) SHOWER PAN 127586-01-CHT
- (17) SCREW G11-08-12B (16)
- (17) COVER 78500-01-CHT (16)
- (16) SHOWER INSTL-ENCLOSURE 130153-01-000
- (16) STRAINER 66440-01-000
- (16) SEALER 69640-01-000
- (16) NUT 130403-01-000
- (16) WASHER-RUBBER 127440-02-CHT
- (16) TAILPIECE 11069-02-000

- TANK-HOLDING 34 GAL 127519-02-000
- CRADLE ASM 103227-09-000
- BOLT C18-05-40A (4)
- NUT D39-05-00B (4)
- WASHER E13-16-00B (4)

- HOLDER-RING 56134-02-000 (3)
- BOLT C12-05-16B (3)
- NUT D12-05-00B (3)
- NUT D32-05-00B (4)
- BOLT C18-05-40A (4)

- HANGER-STRAP 56133-13-000 (3)
- BOLT C18-05-40A (3)
- NUT D39-05-00B (3)

- SINK 104113-01-000
- STRAINER 66437-02-000(2)
- SEAL 91255-02-000(A/R)
- RETAINER 105497-01-000 (2)
- SCREW 105497-02-000(2)
- SCREW G67-10-12G (20)

- SINK 90990-01-CHT
- SEAL 91255-02-000(A/R)
- STRAINER ASM 106116-01-CHT

- TANK-HOLDING 34 GAL 127489-02-000
- CRADLE ASM 56076-37-000
- BOLT C18-05-96A (4)
- NUT D39-05-00B (4)
- WASHER E13-16-00B (4)

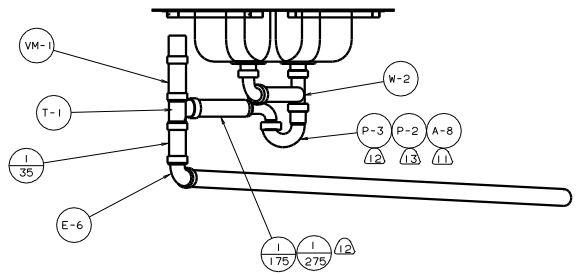
- (14) 331WT ONLY.
 - (13) TRIM TO FIT.
 - (12) CSA ONLY.
 - (11) US ONLY.
 - (10) SECURE VENT TUBES TO FLOOR WITH BRACKET.
 - (9) VENT PIPE MUST PROJECT 51 MM MIN AND 64 MM MAX ABOVE ROOF FOR PROPER FIT AND FUNCTION.
 - 8. SEE DWG 61607-01-000 FOR INSTL OF GROMMETS.
 - 7. SEAL ALL AROUND SHOWER WITH SILICONE.
 - 6. FOR CANADIAN UNITS EACH HOLDING TANK SHALL HAVE A CSA APPROVAL STAMPED NEAR THE IAMPO APPROVAL.
 - 5. EXPOSED PIPE ABOVE ROOF TO BE PAINTED WITH 37163-01-000.
 - 4. ALL EXTERIOR OPENINGS AROUND PIPE TO BE SEALED WITH 11074-01-000.
 - 3. ALL PIPE AND FITTINGS TO BE ASSEMBLED WITH SOLVENT 4020-01-000.
 - 2. SLOPE OF TRAP ARM MUST BE 6 PER 305.
 - 1. SLOPE OF HORIZONTAL PIPING TO BE 6 PER 305 MIN.
- NOTES:

- (18) SECURE PIPES TO CABINET USING WIRE TIE 108046-02-000 AND SCREW G67-10-12U(8).
- (17) NOT USED WITH 43G INTERIOR UPGRADE PACKAGE.
- (16) 43G INTERIOR UPGRADE PACKAGE.

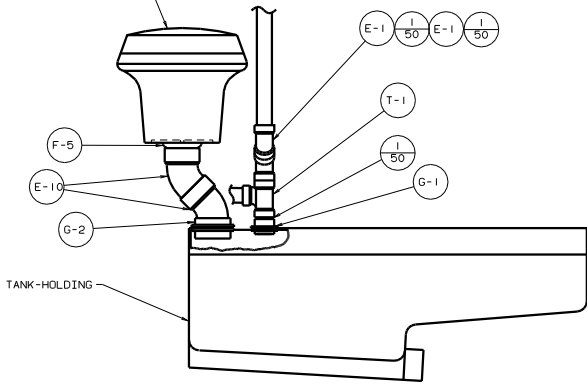
FOR DRAINAGE CALLOUTS SEE DWG NO. 116229-01-000

		98 331WM/WT
QTY	DATE	UNSPECIFIED TOLERANCES ARE:
DRWD	DATE	FRAMES 0.125
BY	DATE	PIPE 0.005
CHK	DATE	WELDS 0.005
DATE	DATE	THIRD ANGLE PROJECTION
DRWD	DATE	
SCALE	SCALE	
331WM 104 # SCALE NONE TO SHI SCALE 0.005 IN		DRAINAGE SYSTEM INSTL ALL DIMENSIONS ARE IN MILLIMETERS
SHEET 1 OF 2		127520

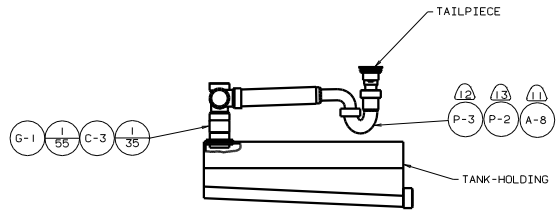
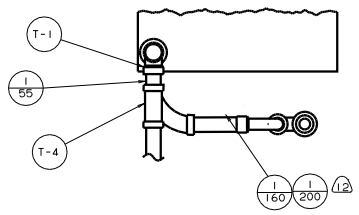
TOILET-SHORTY, AQUA IV
84738-01-CHT
SCREW
87721-01-000 (6)



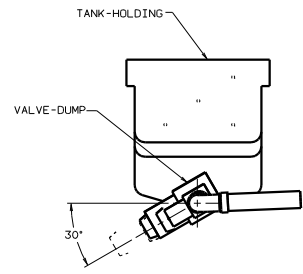
VIEW A-A



VIEW B-B



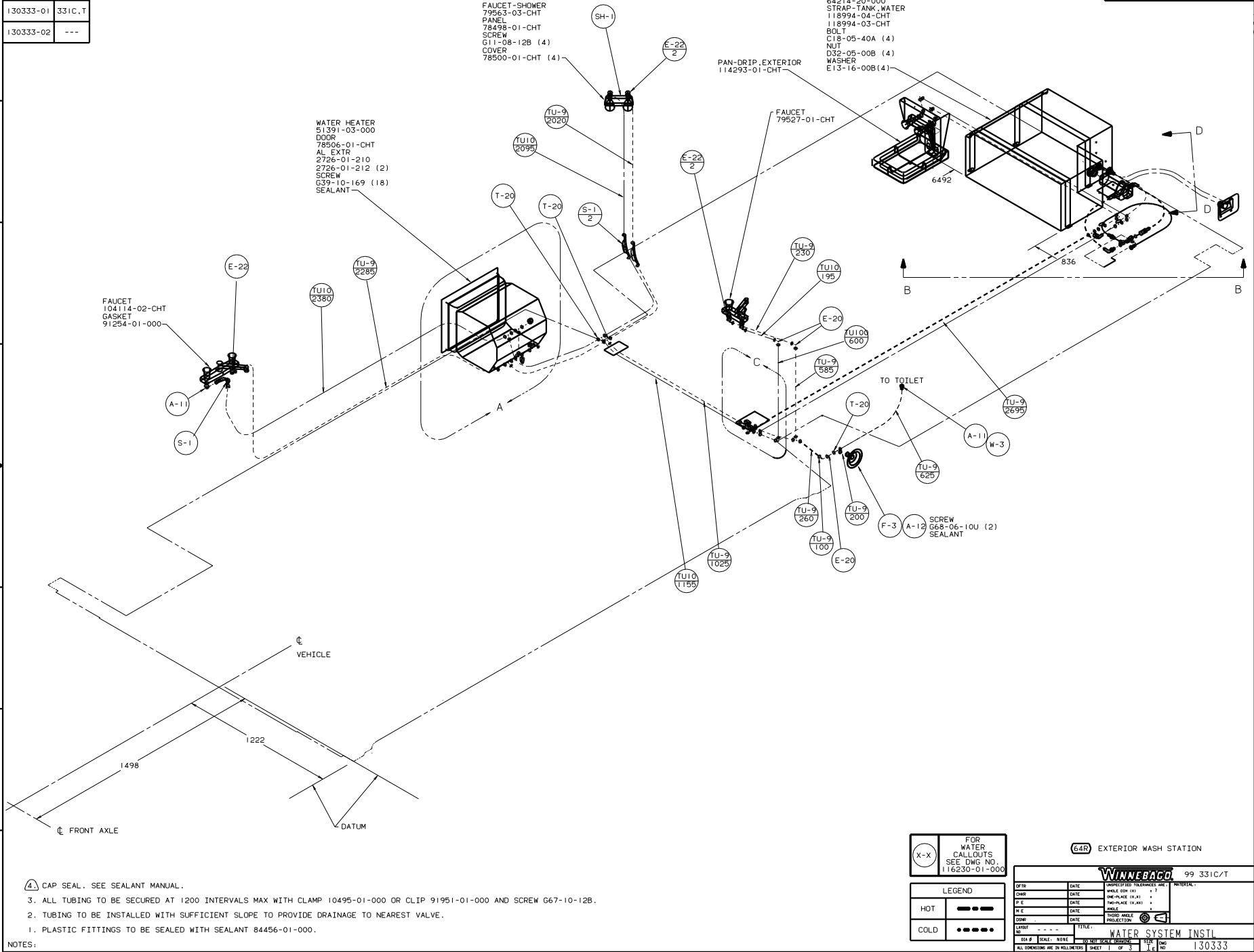
VIEW C-C



VIEW D-D

DWG NO	---
130333-01	33 I.C. T
130333-02	---

RELEASE BY	DATE	BY	NO	130333
REVISION RECORD	DATE	BY	NO	



FAUCET-SHOWER
79563-03-CHT
PANEL
78498-01-CHT
SCREW
G11-08-12B (4)
COVER
78500-01-CHT (4)

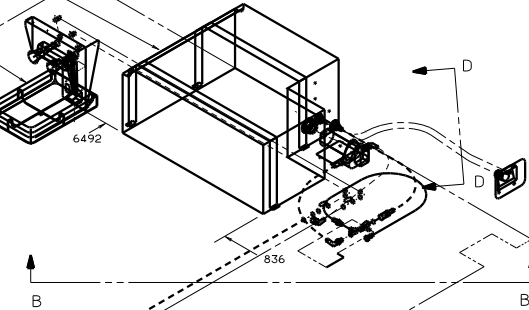
TANK ASM-WATER, 31 GAL
64214-20-000
STRAP-TANK, WATER
118994-04-CHT
118994-03-CHT
BOLT
C18-05-40A (4)
NUT
D32-05-00B (4)
WASHER
E13-16-00B(4)

WATER HEATER
51391-03-000
DOOR
78506-01-CHT
AL. EXTR
2726-01-210
2726-01-212 (2)
SCREW
G39-10-169 (18)
SEALANT

FAUCET
104114-02-CHT
GASKET
91254-01-000

PAN-DRIP, EXTERIOR
114293-01-CHT

FAUCET
79527-01-CHT



- NOTES:
1. PLASTIC FITTINGS TO BE SEALED WITH SEALANT 84456-01-000.
 2. TUBING TO BE INSTALLED WITH SUFFICIENT SLOPE TO PROVIDE DRAINAGE TO NEAREST VALVE.
 3. ALL TUBING TO BE SECURED AT 1200 INTERVALS MAX WITH CLAMP 10495-01-000 OR CLIP 91951-01-000 AND SCREW G67-10-12B.
 4. CAP SEAL. SEE SEALANT MANUAL.

(X-X) FOR WATER CALLOUTS SEE DWG NO 116230-01-000

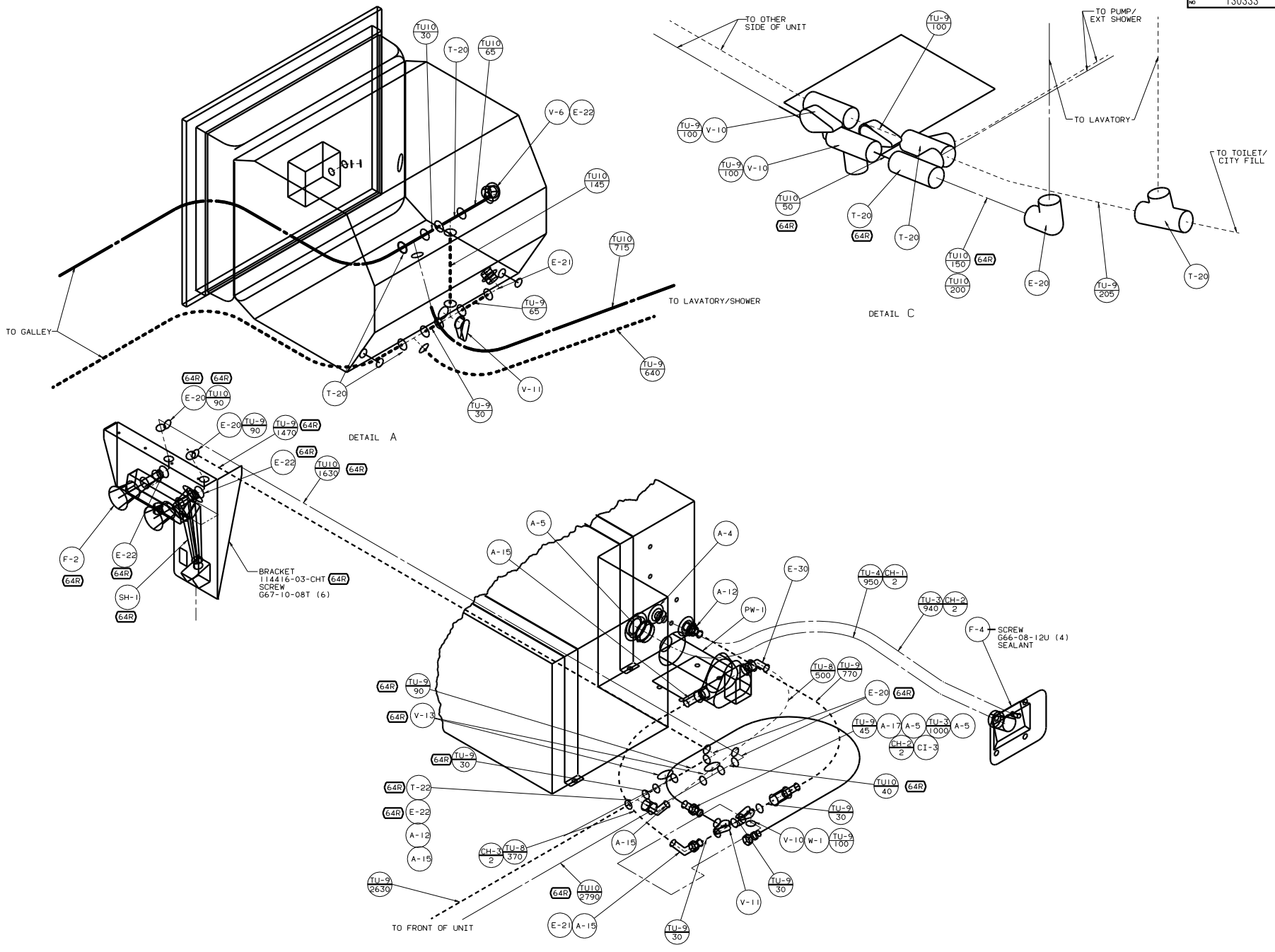
LEGEND	
HOT	— — — —
COLD	• • • • •

(64R) EXTERIOR WASH STATION

WINNEBAGO 99 331C/T

QTY	DATE	UNSPECIFIED TOLERANCES ARE:	MATERIAL
CHP	DATE	WHOLE OR 1/16"	
D/E	DATE	ONE-PLACE (1X.01)	
D/E	DATE	TWO-PLACE (1X.001)	
D/E	DATE	THREE-PLACE (1X.0001)	
CDR	DATE	INDIC. W/ANGLE	
PROJ	DATE	INDIC. W/ANGLE	

LAUNCH NO. --- DATE --- TITLE: WATER SYSTEM INSTL
 REF: 127727 J 1
 SHEET 1 OF 3
 130333



TO GALLEY

TO LAVATORY/SHOWER

TO LAVATORY

TO TOILET/
CITY FILL

TO PUMP/
EXT SHOWER

DETAIL A

DETAIL C

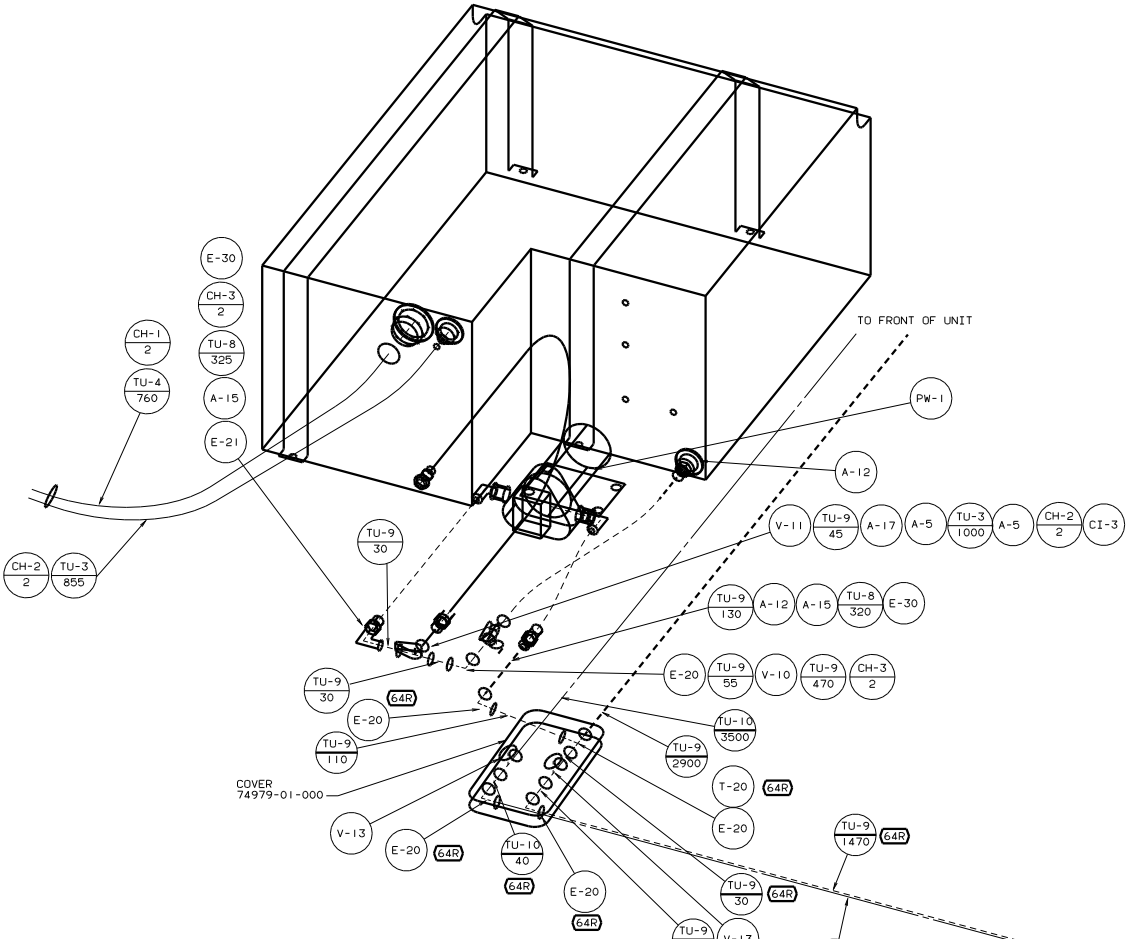
VIEW B-B

49X BED-QUEEN, BACKWALL

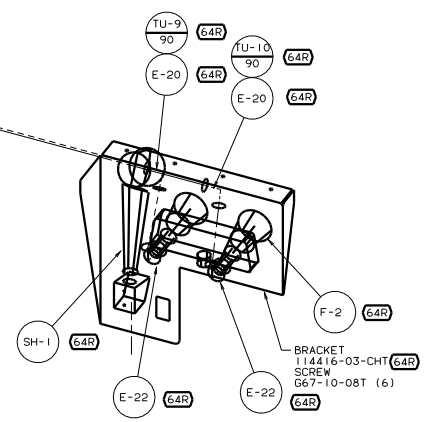
BRACKET
114416-03-CHT
SCREW
G67-10-08T (6)

F-4 SCREW
G66-08-12U (4)
SEALANT

TITLE		99 331C/T	
WATER SYSTEM INSTL			
NO. OF SHEETS	TOTAL SHEETS	DATE	BY
2 OF 3	3		
SHEET 2 OF 3		130333	



VIEW D-D
44X BED-QUEEN, SIDEWALL
45G BED-TWINS



99 331C/T