

- (17) CADDY-SHOWER 105707-01-CHT
- (17) PANEL-REINF 102028-03-000
- (17) TAPE 76322-01-000
- (17) SCREW G11-08-12B (16)
- (17) COVER 78500-01-CHT (16)
- (17) SHOWER PAN 127586-01-CHT
- (17) SCREW G11-08-12B (16)
- (17) COVER 78500-01-CHT (16)
- (16) SHOWER INSTL-ENCLOSURE 130153-01-000
- (16) STRAINER 66440-01-000
- (16) SEALER 69640-01-000
- (16) NUT 130403-01-000
- (16) WASHER-RUBBER 127440-02-CHT
- (16) TAILPIECE 11069-02-000

- TANK-HOLDING 34 GAL 127519-02-000
- CRADLE ASM 103227-09-000
- BOLT C18-05-40A (4)
- NUT D39-05-00B (4)
- WASHER E13-16-00B (4)

- HOLDER-RING 56134-02-000 (3)
- BOLT C12-05-16B (3)
- NUT D12-05-00B (3)
- NUT D32-05-00B (4)
- BOLT C18-05-40A (4)
- HANGER-STRAP 56133-13-000 (3)
- BOLT C18-05-40A (3)
- NUT D39-05-00B (3)

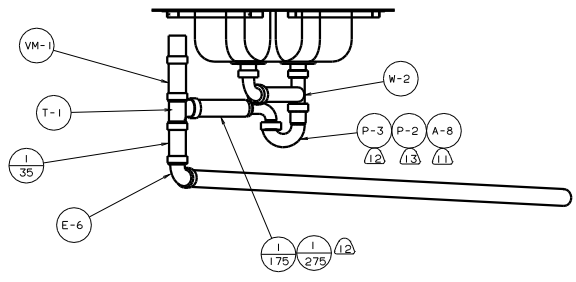
- (14) 331WT ONLY.
- (13) TRIM TO FIT.
- (12) CSA ONLY.
- (11) US ONLY.
- (10) SECURE VENT TUBES TO FLOOR WITH BRACKET.
- (9) VENT PIPE MUST PROJECT 51 MM MIN AND 64 MM MAX ABOVE ROOF FOR PROPER FIT AND FUNCTION.
- 8. SEE DWG 61607-01-000 FOR INSTL OF GROMMETS.
- 7. SEAL ALL AROUND SHOWER WITH SILICONE.
- 6. FOR CANADIAN UNITS EACH HOLDING TANK SHALL HAVE A CSA APPROVAL STAMPED NEAR THE IAMPO APPROVAL.
- 5. EXPOSED PIPE ABOVE ROOF TO BE PAINTED WITH 37163-01-000.
- 4. ALL EXTERIOR OPENINGS AROUND PIPE TO BE SEALED WITH 11074-01-000.
- 3. ALL PIPE AND FITTINGS TO BE ASSEMBLED WITH SOLVENT 4020-01-000.
- 2. SLOPE OF TRAP ARM MUST BE 6 PER 305.
- 1. SLOPE OF HORIZONTAL PIPING TO BE 6 PER 305 MIN.

- (18) SECURE PIPES TO CABINET USING WIRE TIE 108046-02-000 AND SCREW G67-10-12U(8).
- (17) NOT USED WITH 43G INTERIOR UPGRADE PACKAGE.
- (16) 43G INTERIOR UPGRADE PACKAGE.

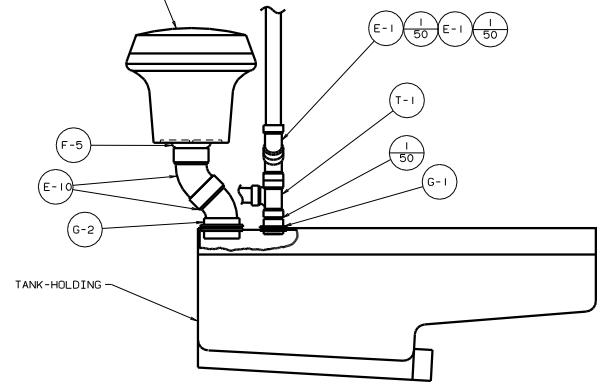
(X-X) FOR DRAINAGE CALLOUTS SEE DWG NO. 116229-01-000

<p><b>WINNEBAGO</b> 98 331WM/WT</p>			
QTY	DATE	UNSPECIFIED TOLERANCES ARE:	MATERIAL:
QTY	DATE	WHOLE DIM IN	AS SHOWN
QTY	DATE	ONE-PLACE IN	SEE DWG
QTY	DATE	TWO-PLACE IN	SEE DWG
QTY	DATE	THIRD PLACE IN	SEE DWG
QTY	DATE	FOURTH PLACE IN	SEE DWG
QTY	DATE	FIFTH PLACE IN	SEE DWG
QTY	DATE	SIXTH PLACE IN	SEE DWG
QTY	DATE	SEVENTH PLACE IN	SEE DWG
QTY	DATE	EIGHTH PLACE IN	SEE DWG
QTY	DATE	NINTH PLACE IN	SEE DWG
QTY	DATE	TENTH PLACE IN	SEE DWG
QTY	DATE	ALL DIMENSIONS ARE IN MILLIMETERS	SEE DWG
QTY	DATE	SCALE: NONE	DRAINAGE SYSTEM INSTL
QTY	DATE	SHEET 1 OF 2	127520

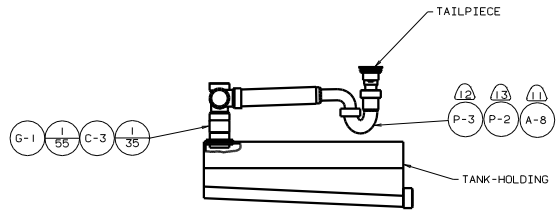
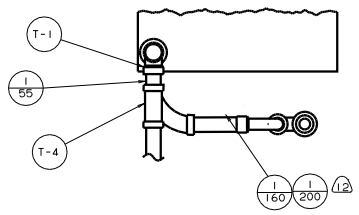
TOILET-SHORTY, AQUA IV  
84738-01-CHT  
SCREW  
87721-01-000 (6)



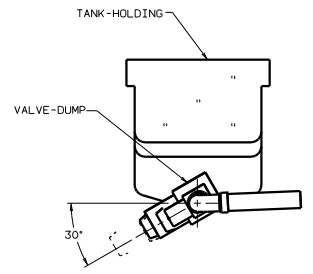
VIEW A-A



VIEW B-B

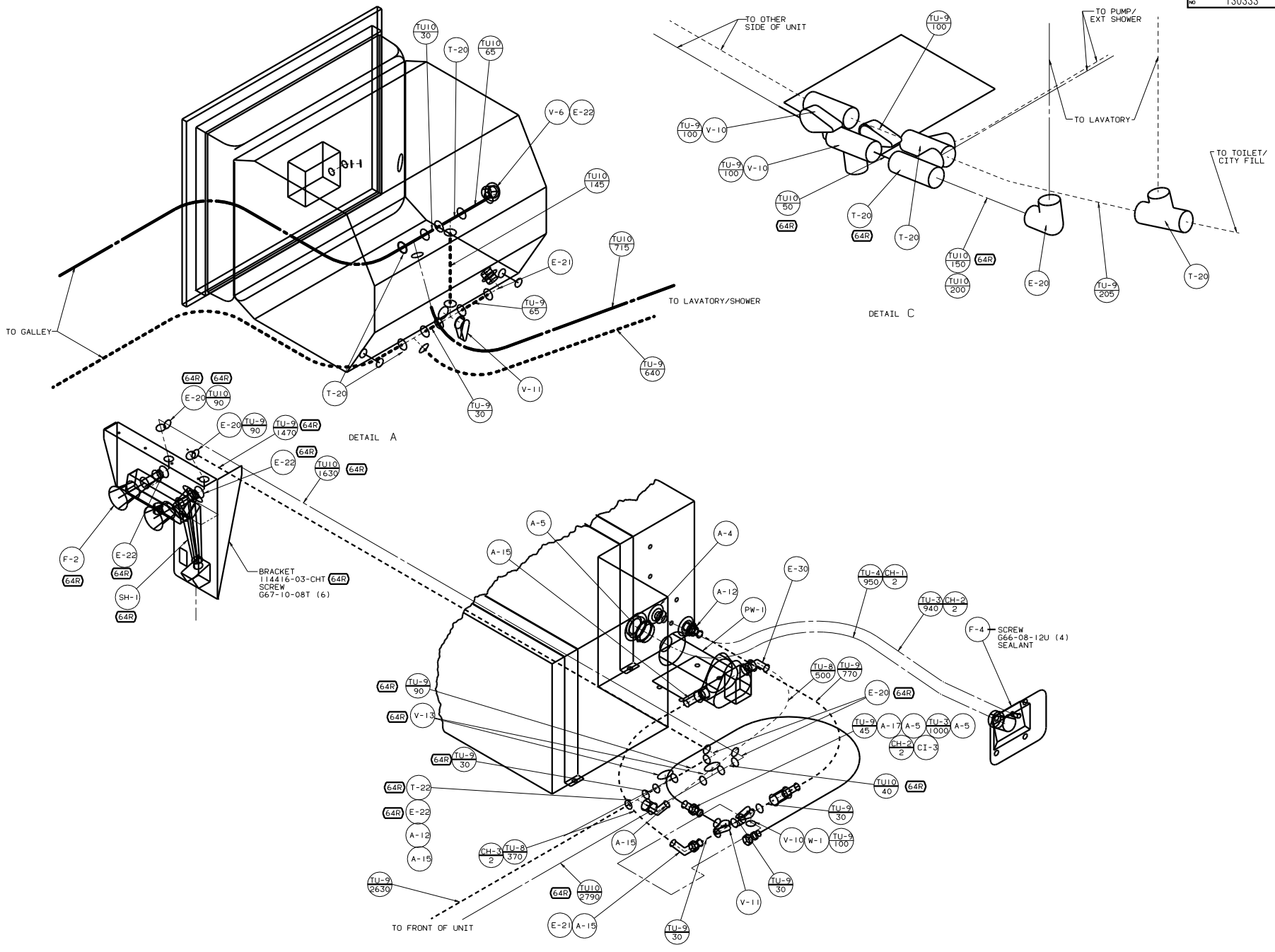


VIEW C-C



VIEW D-D

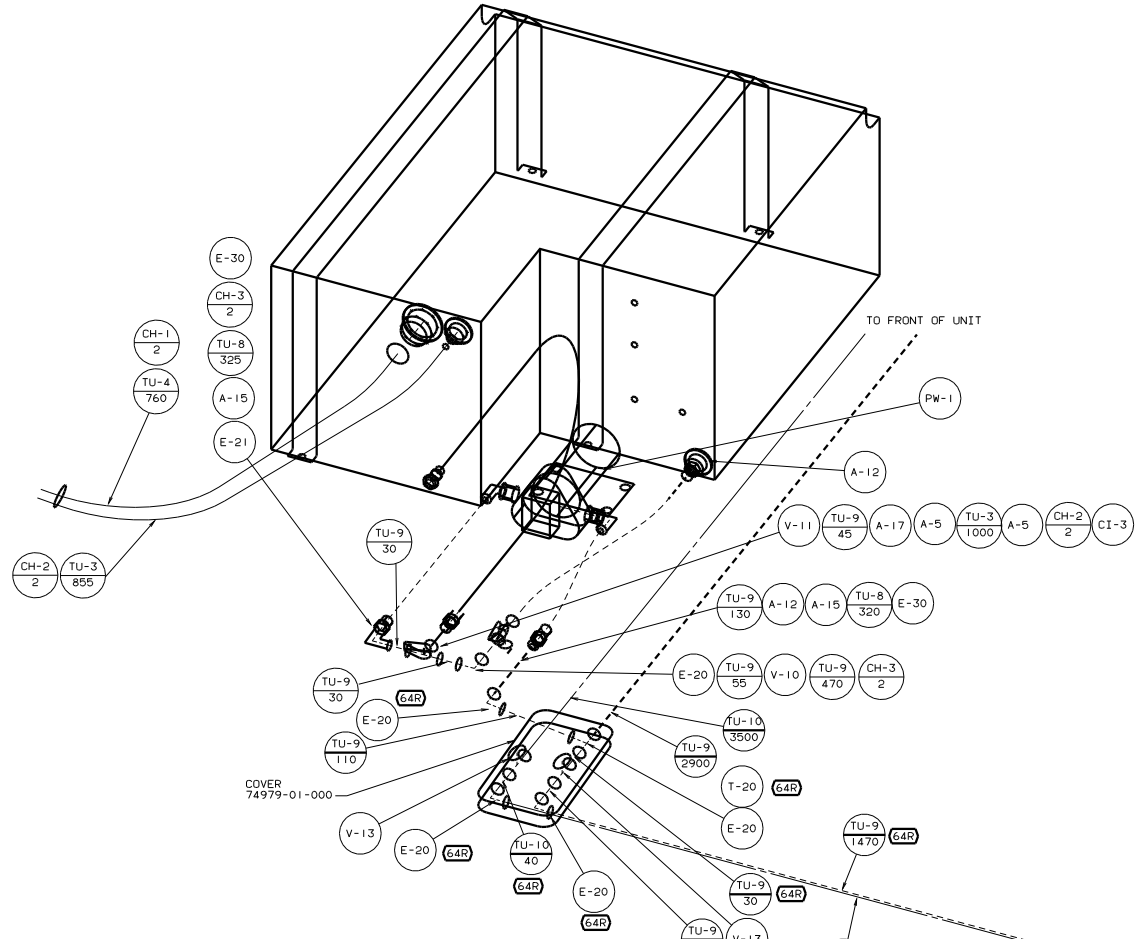




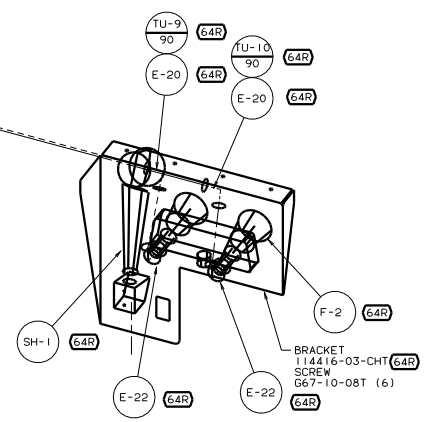
VIEW B-B  
49X BED-QUEEN, BACKWALL

99 331C/T

TITLE		WATER SYSTEM INSTL	
NO. OF SHEETS	3	NO. OF SHEETS	3
SHEET	2 OF 3	SHEET	2 OF 3
REV	1	REV	1
DATE		DATE	
130333		130333	



VIEW D-D  
44X BED-QUEEN, SIDEWALL  
45G BED-TWINS



99 331C/T

TITLE		WATER SYSTEM INSTL	
30	NO SCALE	1/2	1/2
SHEET 3 OF 3		REV	130333