

SINK
104113-01-000
STRAINER
92303-01-000(12)
SEAL
91255-02-000 (A/R)
RETAINER
105497-01-000 (2)
105497-02-000 (2)
SCREW
G67-10-12G (22)

- 1. SLOPE OF HORIZONTAL PIPING TO BE 6 PER 305 MIN.
- 2. SLOPE OF TRAP ARM MUST BE 6 PER 305.
- 3. ALL PIPE AND FITTINGS TO BE ASSEMBLED WITH SOLVENT 4020-01-000.
- 4. ALL EXTERIOR OPENINGS AROUND PIPE TO BE SEALED.
- 5. EXPOSED PIPE ABOVE ROOF TO BE PAINTED 37163-01-000.
- 6. FOR CAN UNITS EACH HOLDING TANK SHALL HAVE A CSA APPROVAL STAMPED NEAR THE IAMPO APPROVAL.
- 7. SEAL ALL AROUND SHOWER WITH SILICONE 78474-01-CHT.
- 8. SEE DWG 61607-01-000 FOR INSTL OF GROMMET.
- 9. VENT PIPE MUST PROJECT 51 MIN AND 64 MAX ABOVE ROOF FOR PROPER FIT AND FUNCTION.
- 10. SECURE VENT TUBES TO FLOOR.
- 11. CLEAN AND APPLY ADHESIVE PROMOTER 87211-01-000 TO BOTH SURFACES AND BOND WITH TAPE.
- 12. TRIM P-TRAP EXTENSION TO FIT.
- 13. SECURE PIPES TO CABINET USING WIRE TIE 108046-02-000 AND SCREW G67-10-12U (8).

TANK-HOLDING, 27 GALLON
108593-02-000
CRADLE ASM
103227-04-000
BOLT
C18-05-40A(4)
NUT
D39-05-00B(4)

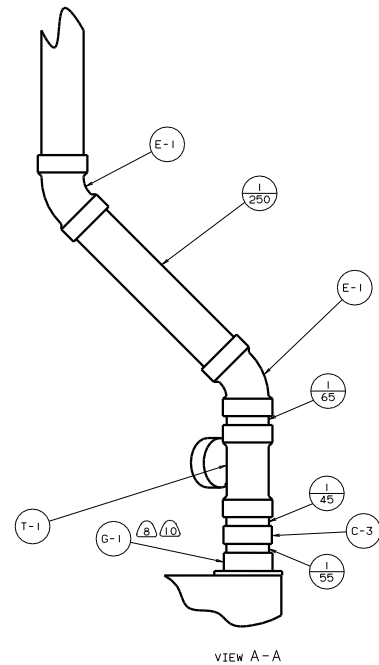
TANK-HOLDING, 40 GALLON
102762-04-000
CRADLE ASM
103227-02-000
BOLT
C18-05-40A(4)
NUT
D39-05-00B(4)

SHOWER INSTL-ENCLOSURE
105628-01-000

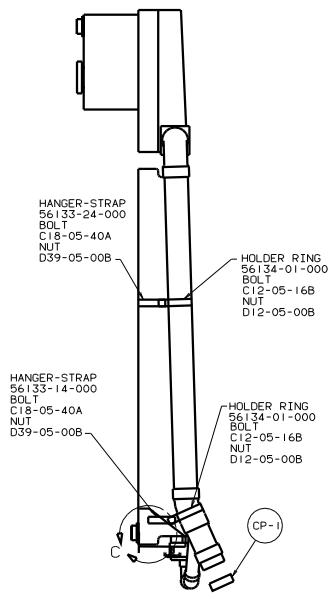
TOILET (AQUA IV)
84738-01-CHT
SCREW
87721-01-000(6)

FOR
DRAINAGE
CALLOUTS
SEE DWG NO.
116229-01-000

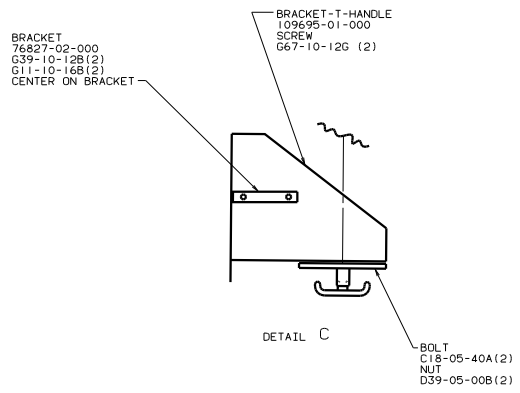
DATE		UNDESIGNED TOLERANCES ARE:		99 329N
OF IN	DATE	WHOLE DIM (IN)	1:15	
CHOP	DATE	ONE-PLACE (IN)	1:15	
PIE	DATE	TWO-PLACE (IN)	1:15	
DE	DATE	MIXED	1:15	
CODE	DATE	THRU WHOLE	1:15	
PRODUCTION	DATE	100% W/HOLE	1:15	
DRAINAGE SYSTEM INSTL		REF: 123644 D 1		
130696				



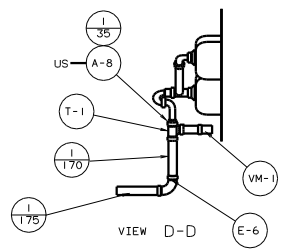
VIEW A-A



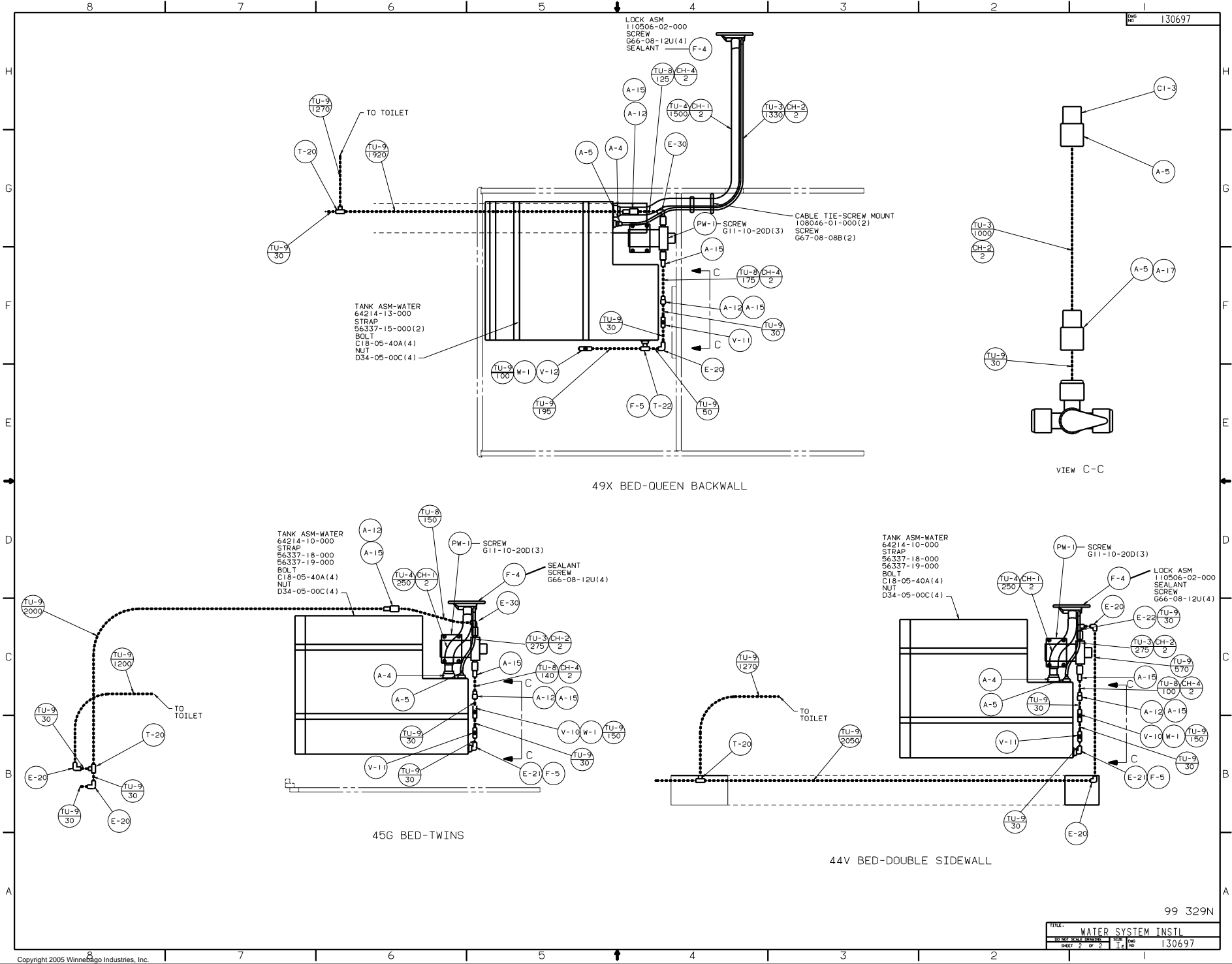
VIEW B-B



DETAIL C



VIEW D-D



LOCK ASM
110506-02-000
SCREW
G66-08-12U(4)
SEALANT

TANK ASM-WATER
64214-13-000
STRAP
56337-15-000(2)
BOLT
C18-05-40A(4)
NUT
D34-05-00C(4)

CABLE TIE-SCREW MOUNT
108046-01-000(2)
SCREW
G67-08-08B(2)

49X BED-QUEEN BACKWALL

VIEW C-C

TANK ASM-WATER
64214-10-000
STRAP
56337-18-000
56337-19-000
BOLT
C18-05-40A(4)
NUT
D34-05-00C(4)

TANK ASM-WATER
64214-10-000
STRAP
56337-18-000
56337-19-000
BOLT
C18-05-40A(4)
NUT
D34-05-00C(4)

LOCK ASM
110506-02-000
SEALANT
SCREW
G66-08-12U(4)

45G BED-TWINS

44V BED-DOUBLE SIDEWALL