

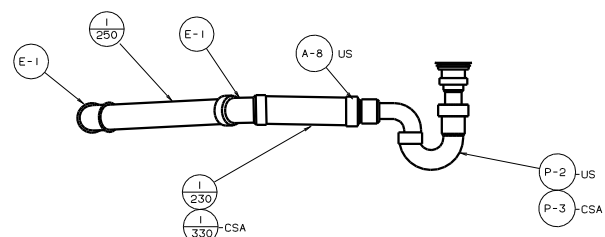
SINK
90990-01-CHT
SEAL
91255-02-000 (A/R)
STRAINER
106116-01-CHT

TOILET-AQUA MAGIC
63740-01-000

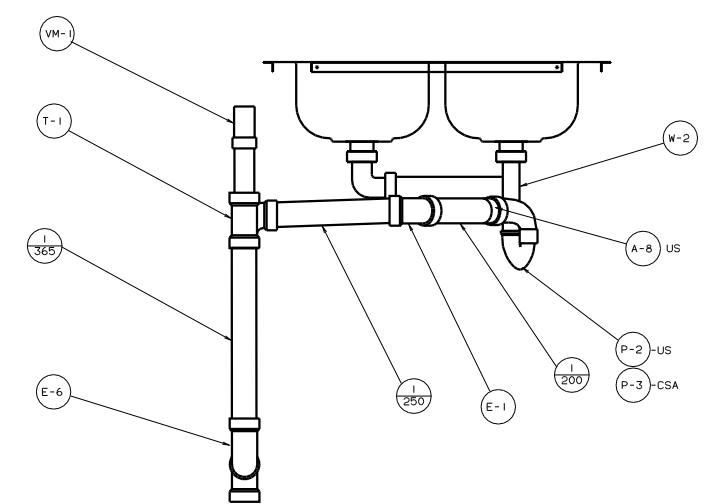
TANK-HOLDING, 30 GAL
128535-02-000
CRADLE ASM
128659-01-CHT

TANK-HOLDING, 36 GAL
128597-02-000
CRADLE ASM
128660-01-CHT

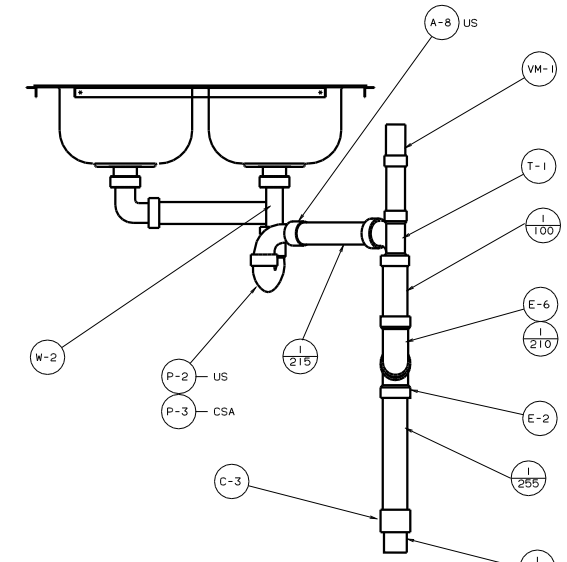
VIEW A-A



VIEW C-C



VIEW B-B
327U



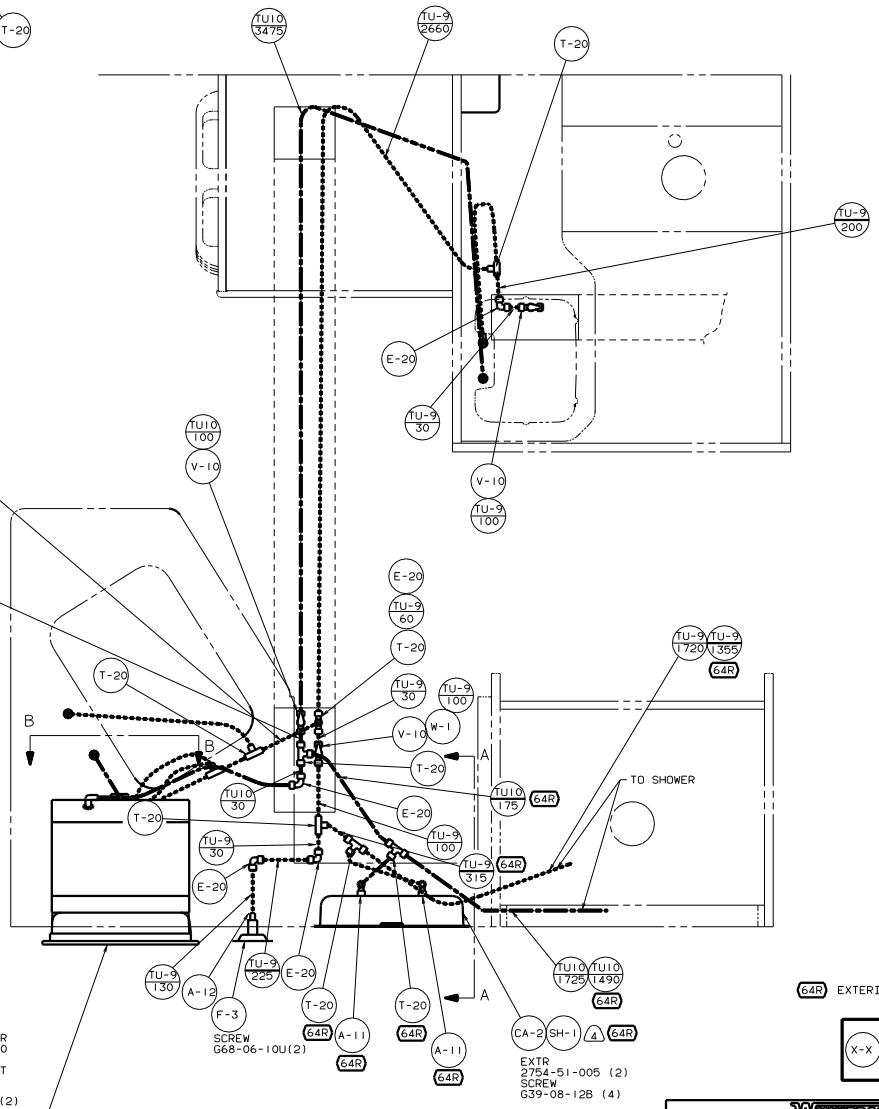
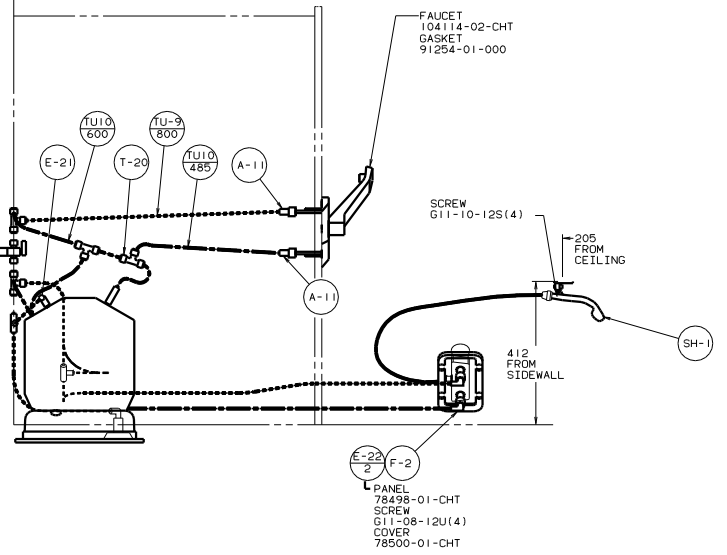
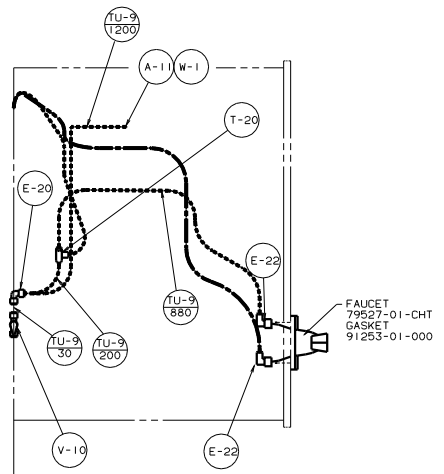
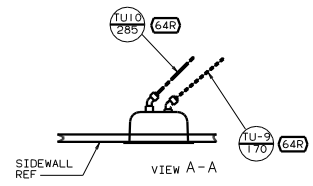
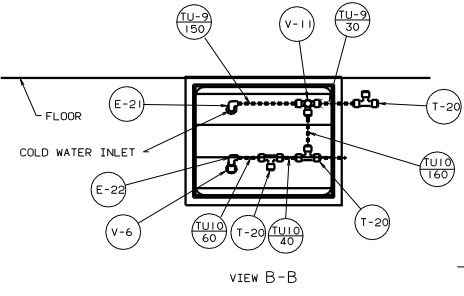
VIEW E-E
327P

99 327U/P

TITLE: DRAINAGE SYSTEM INSTL	
30 DAY P&L DESIGN	DATE: 11/01/05
SHEET 2 OF 2	FIG NO: 130428

DWG NO ---
 130697-01 W.I
 130697-02 ----

RELEASE BY DATE TIME 130697
 REVISION RECORD DATE BY



1. PLASTIC FITTINGS TO BE SEALED WITH SEALANT 84456-01-000.
2. TUBING TO BE INSTALLED WITH SUFFICIENT SLOPE TO PROVIDE DRAINAGE TO NEAREST VALVE.
3. ALL TUBING TO BE SECURED AT 1200 INTERVALS MAX WITH CLAMP 10495-01-000 OR CLIP 91951-01-000 AND SCREW G67-10-12B.

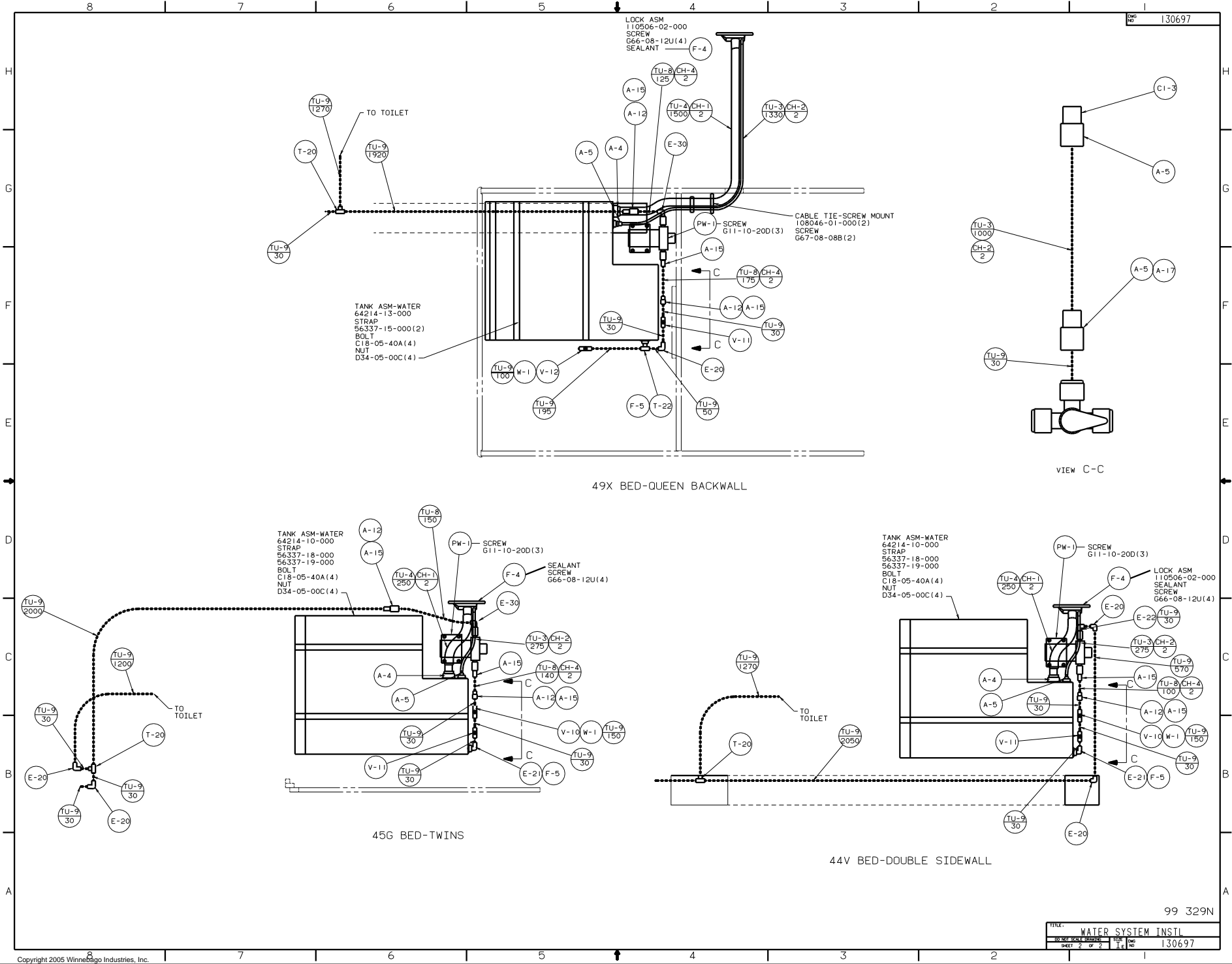
WATER HEATER
 51391-03-000
 DOOR 78506-01-CHT
 AL EXTR 2726-01-210
 2726-01-212(2)
 SCREW G39-10-169(18)
 SEALANT

LEGEND	
HOT	-----
COLD	-----

64R EXTERIOR WASH STATION

X-X FOR WATER CALLOUTS SEE DWG NO. 116230-01-000

WINNEBAGO 99 329N			
OPTR	DATE	UNDESIGNED TOLERANCES ARE:	MATERIAL
CHRP	DATE	WHOLE DIM (IN)	F.F.
DFE	DATE	ONE-PLACE (IN.X1)	
D/E	DATE	TWO-PLACE (IN.XXX)	
CDR	DATE	THREE-PLACE (IN.XXX)	
DRG	DATE	THREE-PLACE (IN.XXX)	
DRG	DATE	THREE-PLACE (IN.XXX)	
DRG	DATE	THREE-PLACE (IN.XXX)	
DRG	DATE	THREE-PLACE (IN.XXX)	
TITLE: WATER SYSTEM INSTL		SHEET 1 OF 2	
SCALE: NONE	NO. OF SHEETS: 2	DWG NO: 130697	REV: 1.6



LOCK ASM
110506-02-000
SCREW
G66-08-12U(4)
SEALANT

TO TOILET

TANK ASM-WATER
64214-13-000
STRAP
56337-15-000(2)
BOLT
C18-05-40A(4)
NUT
D34-05-00C(4)

CABLE TIE-SCREW MOUNT
108046-01-000(2)
SCREW
G67-08-08B(2)

49X BED-QUEEN BACKWALL

VIEW C-C

TANK ASM-WATER
64214-10-000
STRAP
56337-18-000
56337-19-000
BOLT
C18-05-40A(4)
NUT
D34-05-00C(4)

TO TOILET

45G BED-TWINS

TANK ASM-WATER
64214-10-000
STRAP
56337-18-000
56337-19-000
BOLT
C18-05-40A(4)
NUT
D34-05-00C(4)

LOCK ASM
110506-02-000
SEALANT
SCREW
G66-08-12U(4)

44V BED-DOUBLE SIDEWALL