

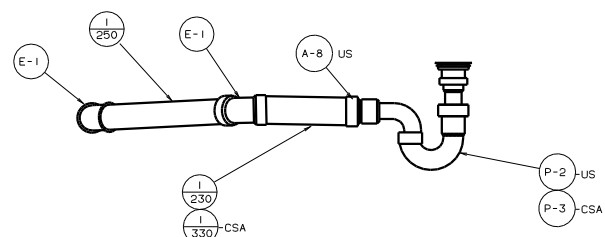
SINK
90990-01-CHT
SEAL
91255-02-000 (A/R)
STRAINER
106116-01-CHT

TOILET-AQUA MAGIC
63740-01-000

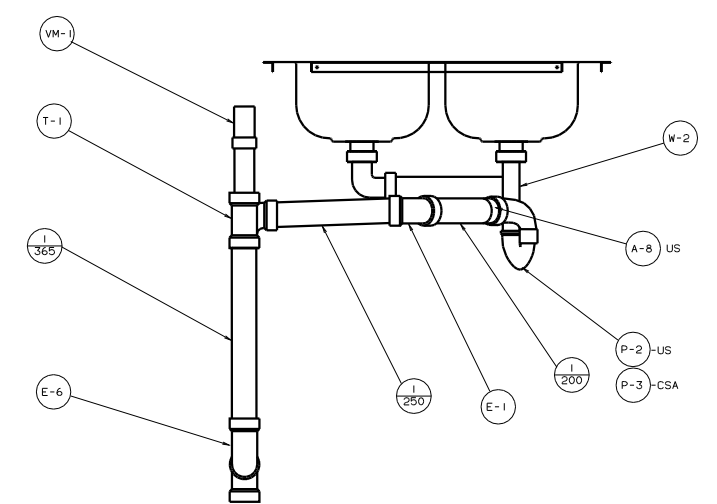
TANK-HOLDING, 30 GAL
128535-02-000
CRADLE ASM
128659-01-CHT

TANK-HOLDING, 36 GAL
128597-02-000
CRADLE ASM
128660-01-CHT

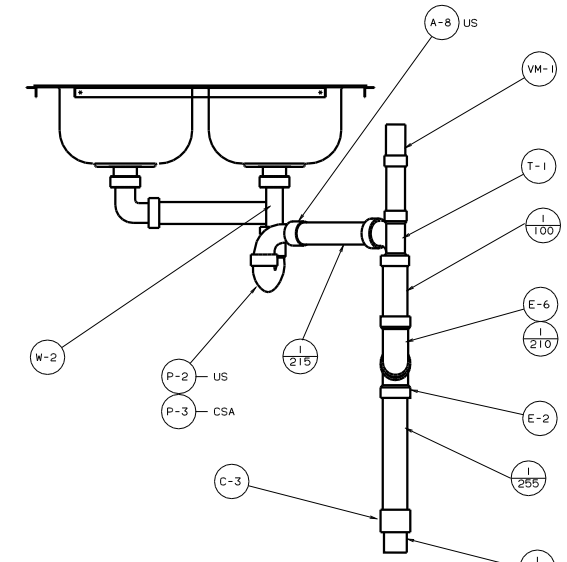
VIEW A-A



VIEW C-C



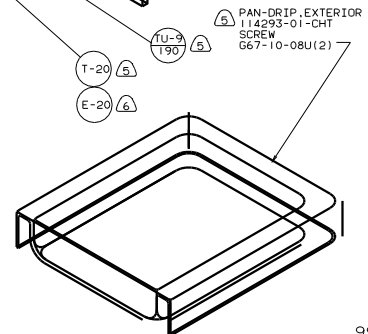
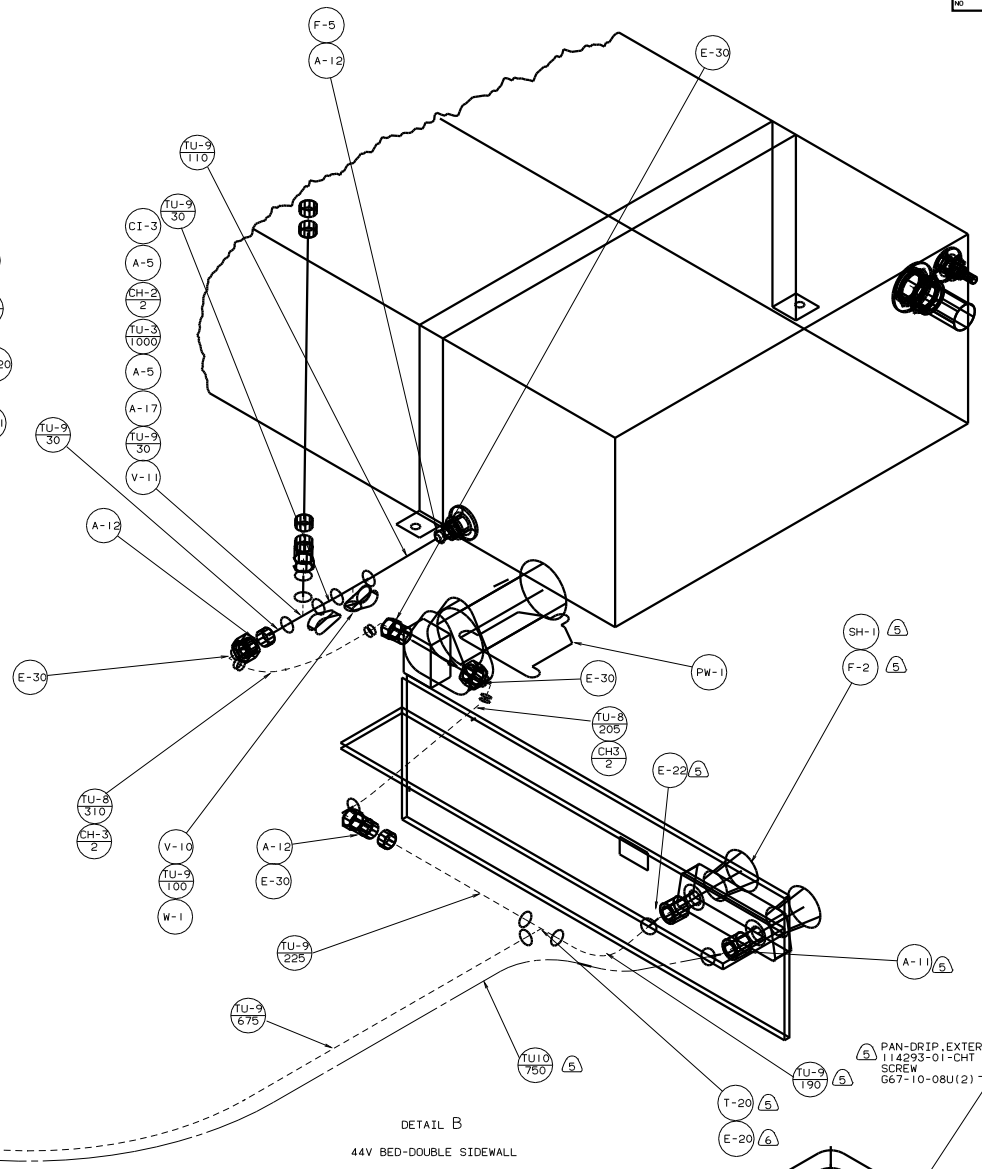
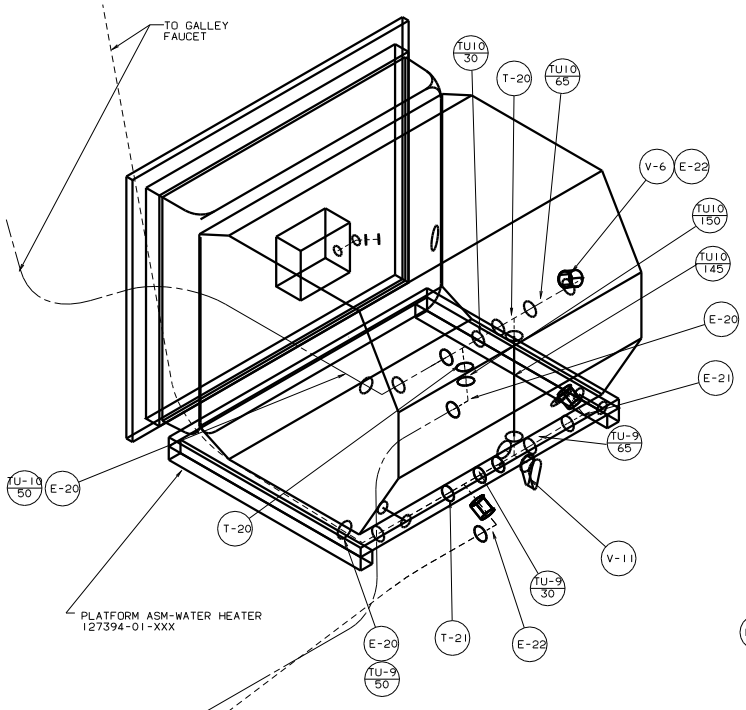
VIEW B-B
327U



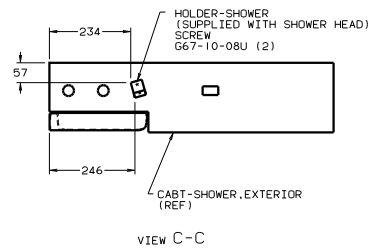
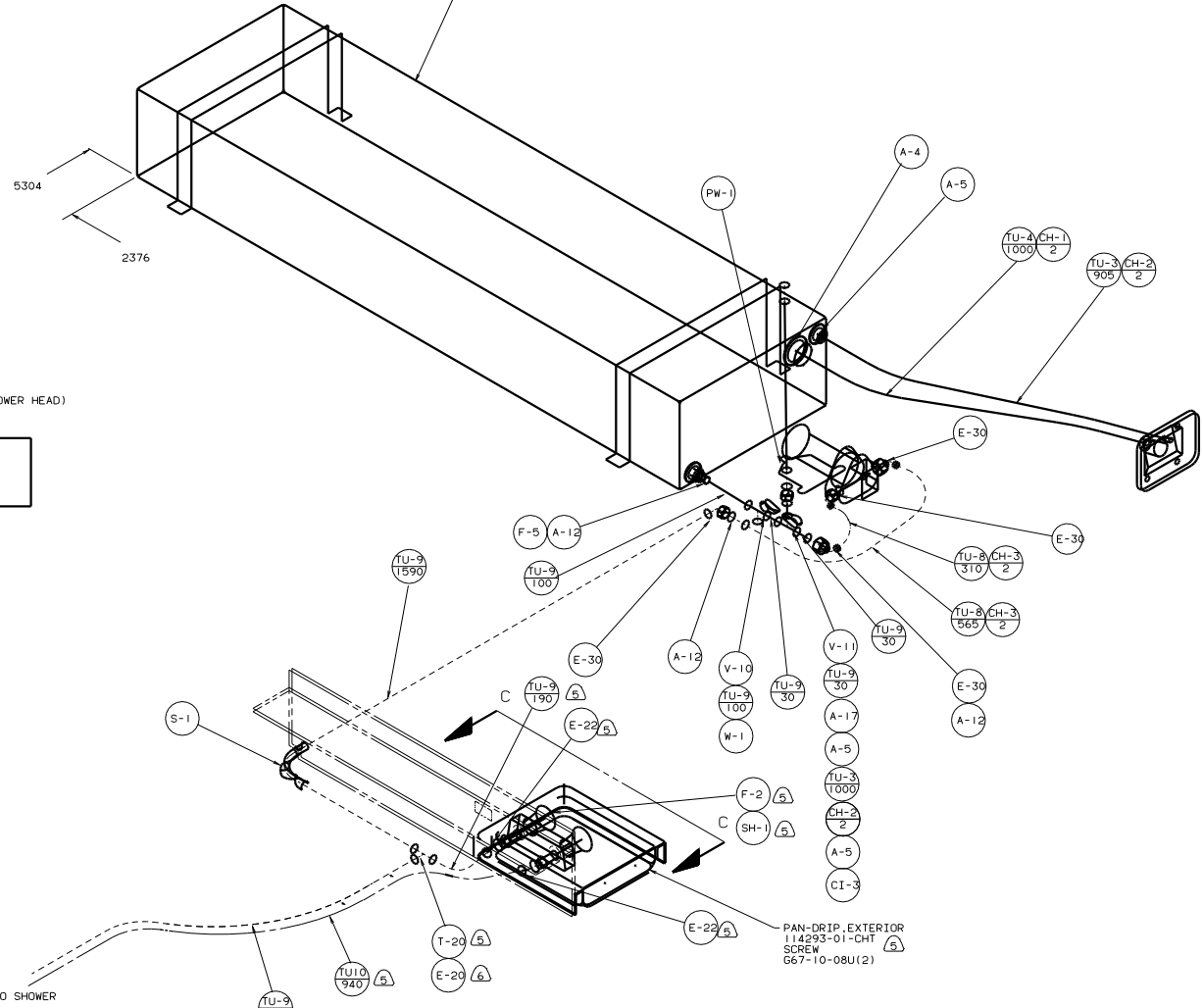
VIEW E-E
327P

99 327U/P

TITLE: DRAINAGE SYSTEM INSTL	
30 MIN SCALE DRAWING	FIG. NO. 130428
SHEET 2 OF 2	1/E



TANK-WATER, 30 GAL
 117217-11-000
 STRAP-RETAINER
 66337-21-000(2)
 BOLT
 CI 8-05-40A (4)
 NUT
 D39-05-00B (4)
 WASHER
 ET3-16-008 (2)



DETAIL B
 45G BED-TWINS

99 327P

TITLE: WATER SYSTEM INSTL	
NO. OF SHEETS	TITLE
SHEET 3 OF 3	130429