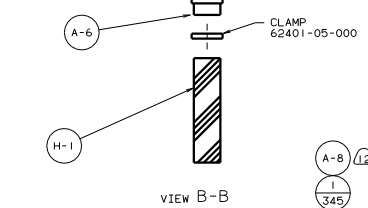
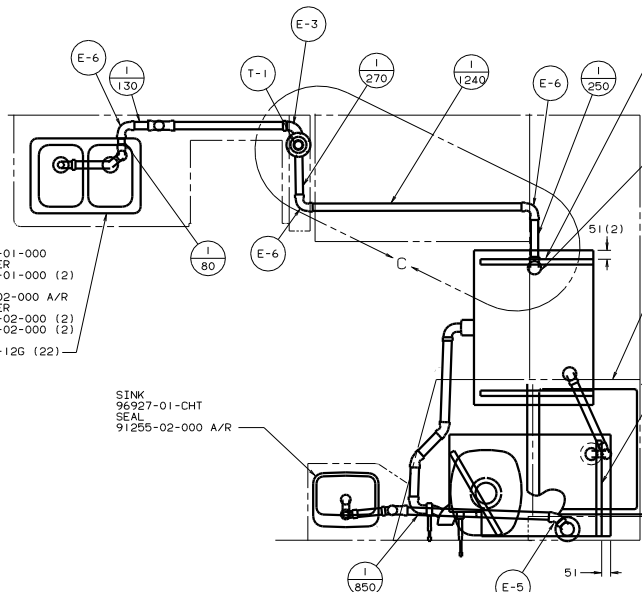


FRONT AXLE
0

SINK
104113-01-000
 STRAINER
092303-01-000 (2)
 SEAL
91255-02-000 A/R
 RETAINER
105497-02-000 (2)
 105497-02-000 (2)
 SCREW
G67-10-12G (22)

SINK
96927-01-CHT
 SEAL
91255-02-000 A/R

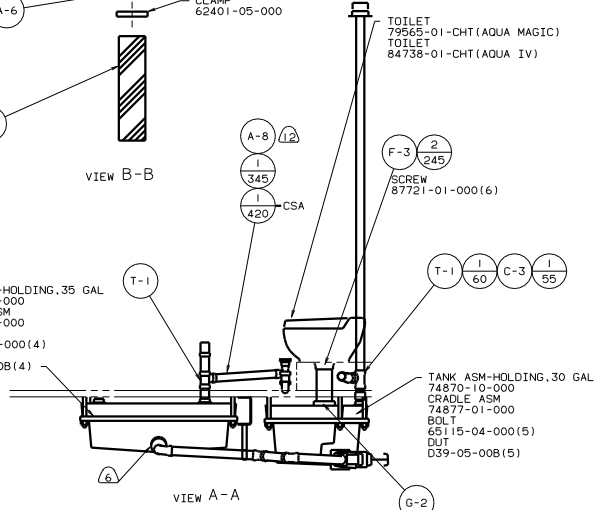


TOILET
79565-01-CHT (AQUA MAGIC)
 TOILET
84738-01-CHT (AQUA IV)

TANK ASM-HOLDING, 35 GAL
74861-13-000
 CRADLE ASM
56076-22-000
 BOLT
65115-04-000(4)
 NUT
D39-05-00B(4)

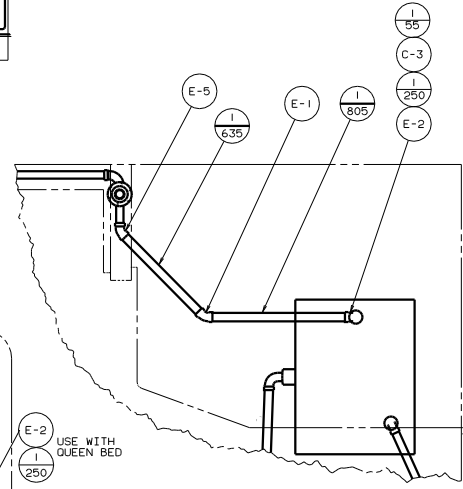
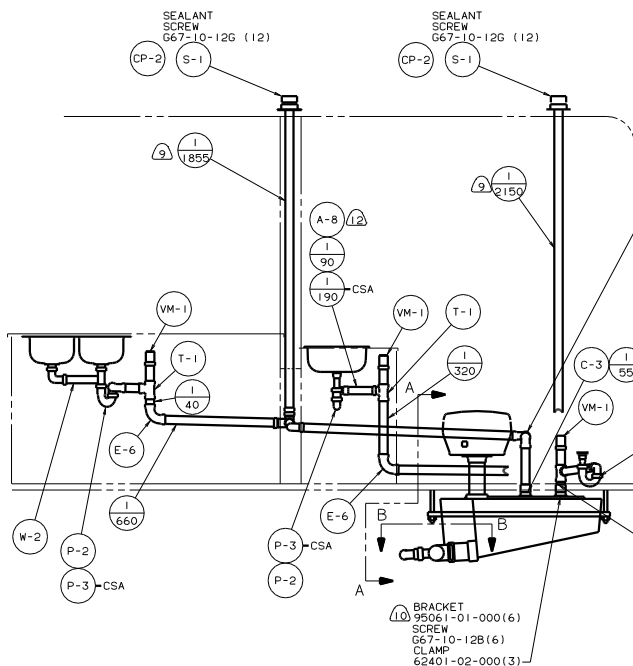
A-8 (12)
 345
 420
 CSA

F-3 2
 245
 SCREW
87721-01-000(6)



SEALANT SCREW
G67-10-12G (12)
 CP-2 S-1

SEALANT SCREW
G67-10-12G (12)
 CP-2 S-1



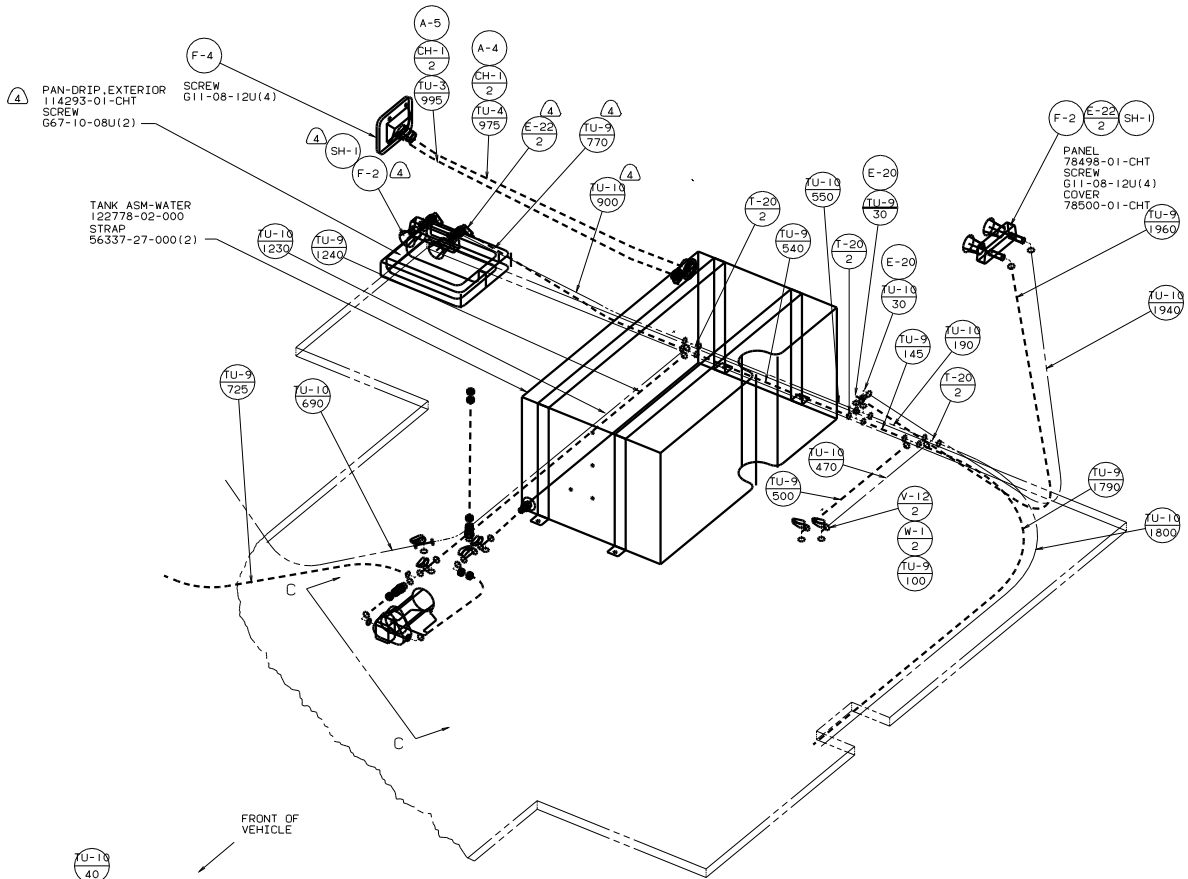
DETAIL C
49X BED-QUEEN, CENTERED

FOR DRAINAGE CALLOUTS SEE DWG NO. 116229-01-000

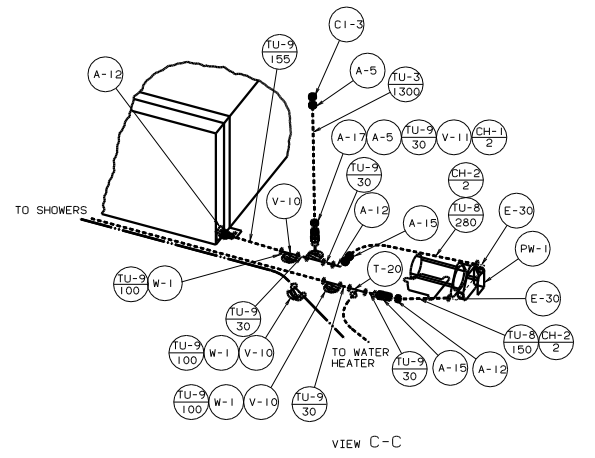
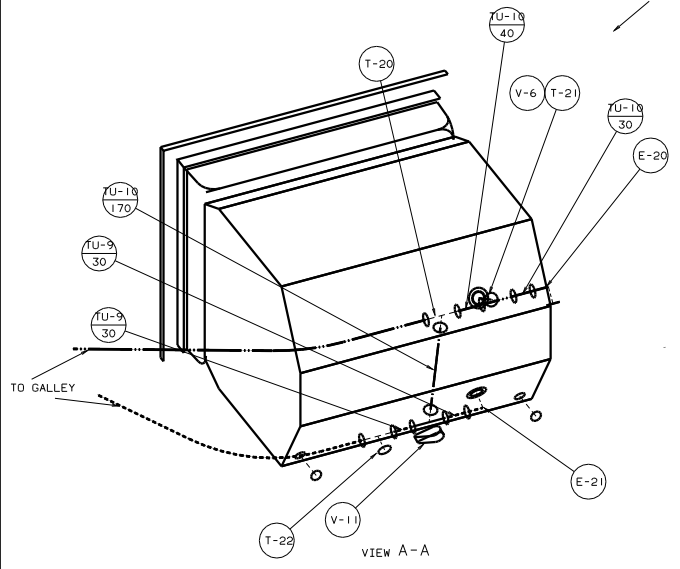
- (15) FORD.
 (14) CHEVY.
 (13) 43G INTERIOR UPGRADE PACKAGE.
 (12) NOT USED ON CANADIAN UNITS.
 (11) USE WITH EXPORT UPGRADE PACKAGE.
 (10) SECURE VENT TUBES TO FLOOR WITH BRACKET 95061-01-000(2), CLAMP 62401-02-000, AND SCREW G67-10-12B(2).
 (9) VENT PIPE MUST PROJECT 51 MM MIN AND 63.5 MM MAX ABOVE ROOF FOR PROPER FIT AND FUNCTION.
 8. SEE DWG 61607-01-000 FOR INSTL OF GROMMETS.
 7. SEAL ALL AROUND SHOWER WITH SILICONE.
 6. CUT OFF NIPPLE ON TANK TO 35 MM.
 5. EXPOSED PIPE ABOVE ROOF TO BE PAINTED 37163-01-000.
 4. ALL EXTERIOR OPENINGS AROUND PIPE TO BE SEALED WITH 110744-01-000.
 3. ALL PIPE AND FITTINGS TO BE ASSEMBLED WITH SOLVENT 4020-01-000.
 2. SLOPE OF TRAP ARM MUST BE 6 PER 305.
 1. SLOPE OF HORIZONTAL PIPING TO BE 6 PER 305 MIN.

(16) SECURE PIPES TO CANINET USING WIRE TIE 108046-02-000 AND SCREW G67-10-12U (8).

		98 324WD
PART NO. 324WD8 REV. 1 SCALE: NONE ALL DIMENSIONS ARE IN MILLIMETERS	TITLE: DRAINAGE SYSTEM INSTL SHEET 1 OF 1	DATE: UNDESIGNATED TOLERANCES ARE: DIMENSIONS: UNLESS OTHERWISE SPECIFIED HOLE DIA: H11 ONE-PLACE: H8, K11 TWO-PLACE: H8, K11 HOLE DIA: H11 ONE-PLACE: H8, K11 TWO-PLACE: H8, K11 HOLE DIA: H11 ONE-PLACE: H8, K11 TWO-PLACE: H8, K11
REF: 122500 L I	127233	



49X BED-QUEEN, CENTERED



98 324WD

TITLE		WATER SYSTEM INSTL	
NO OF SHEETS	TOTAL SHEETS	DATE	NO
2	2		127280