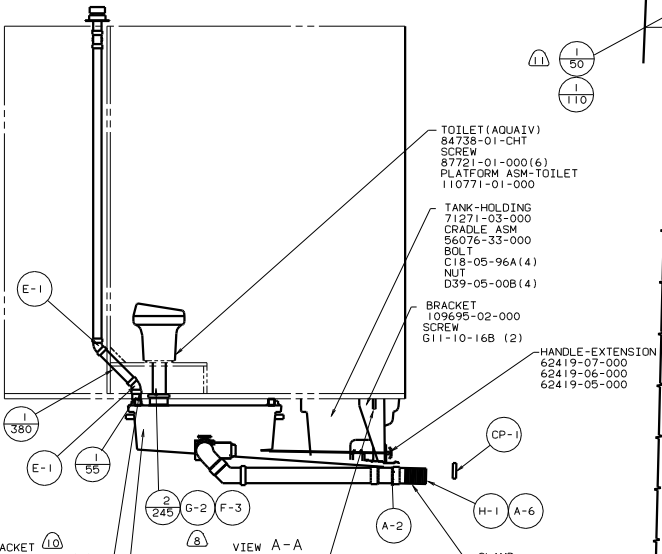


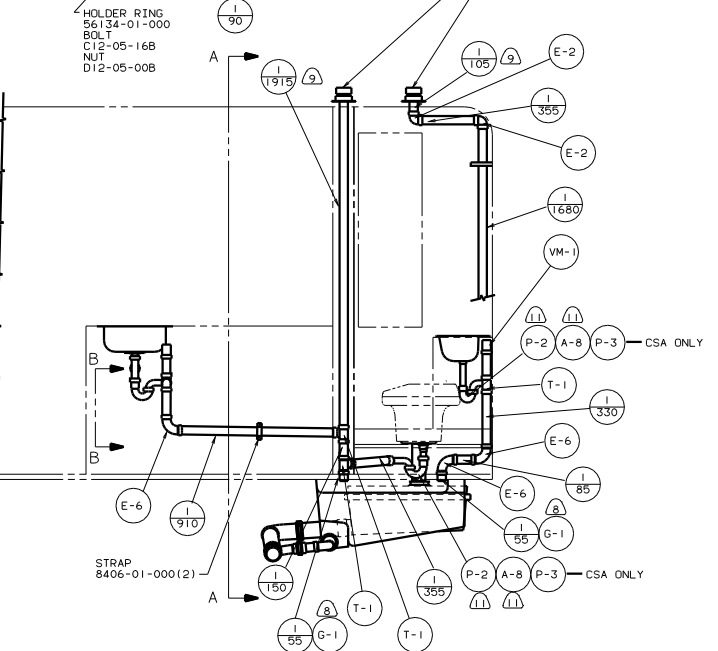
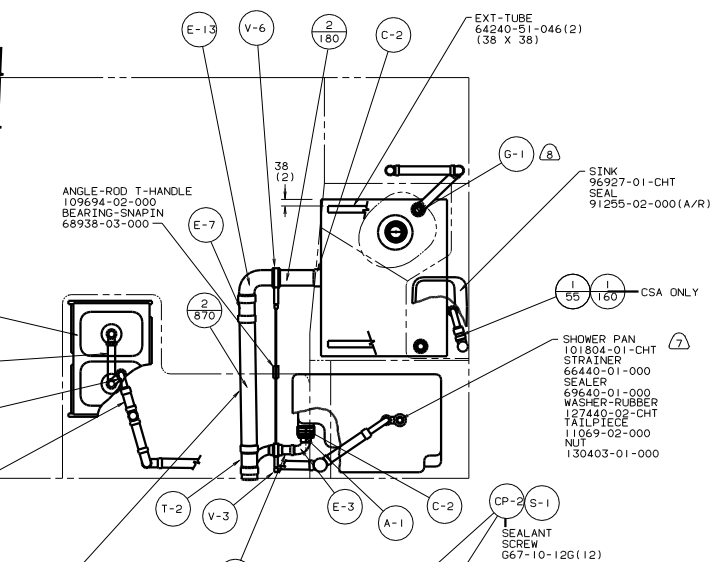
VIEW B-B



VIEW A-A

- BRACKET 10
 95061-01-000(6)
 SCREW
 667-10-12B(6)
 CLAMP
 62401-02-000(3)
- TANK-HOLDING
 74861-11-000
 CRADLE ASM
 56076-22-000
 BOLT
 C18-05-96A(4)
 NUT
 D39-05-00B(4)
- BRACKET 10
 95061-01-000(6)
 SCREW
 667-10-12B(6)
 CLAMP
 62401-02-000(3)
- TANK-HOLDING
 74861-11-000
 CRADLE ASM
 56076-22-000
 BOLT
 C18-05-96A(4)
 NUT
 D39-05-00B(4)
- BRACKET 10
 95061-01-000(6)
 SCREW
 667-10-12B(6)
 CLAMP
 62401-02-000(3)
- BRACKET 10
 95061-01-000(6)
 SCREW
 667-10-12B(6)
 CLAMP
 62401-02-000(3)
- BRACKET 10
 95061-01-000(6)
 SCREW
 667-10-12B(6)
 CLAMP
 62401-02-000(3)
- BRACKET 10
 95061-01-000(6)
 SCREW
 667-10-12B(6)
 CLAMP
 62401-02-000(3)

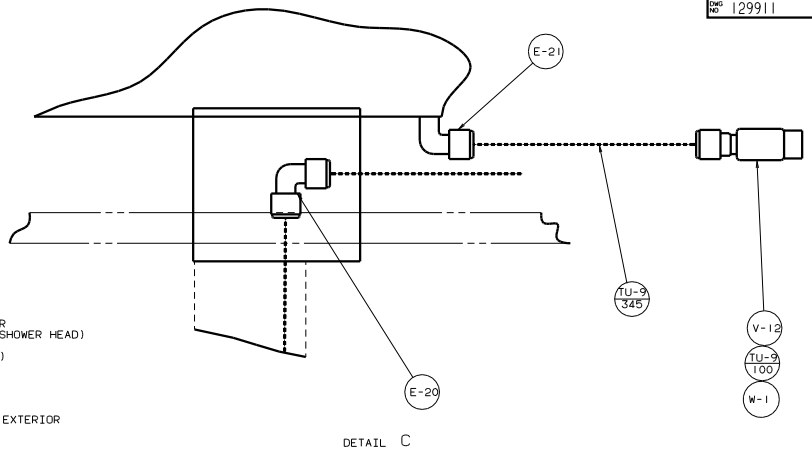
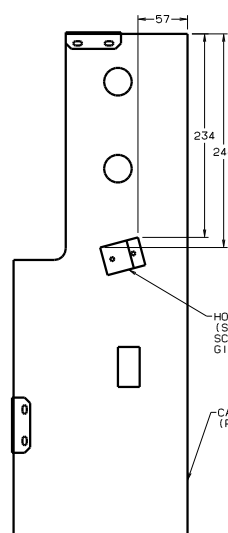
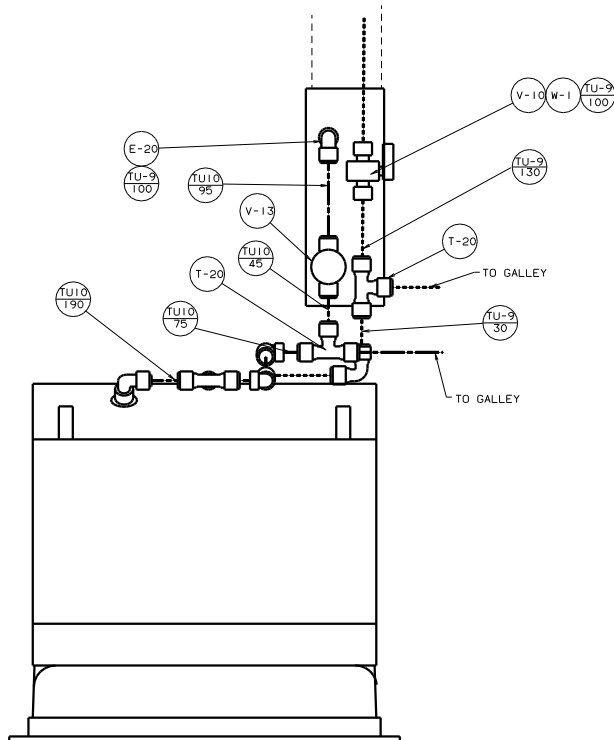
- ⑩ SECURE DRAIN TUBES TO FLOOR.
 ⑨ VENT PIPE MUST PROJECT 51 MM MIN AND 63.5 MM MAX ABOVE ROOF FOR PROPER FIT AND FUNCTION.
 ⑧ SEE DWG 61607-01-000 FOR INSTL OF GROMMET.
 ⑦ SEAL ALL AROUND SHOWER WITH SILICONE 78474-01-CHT.
 6. FOR CAN UNITS EACH HOLDING TANK SHALL HAVE A CSA APPROVAL STAMPED NEAR THE IAMPO APPROVAL.
 5. EXPOSED PIPE ABOVE ROOF TO BE PAINTED 37163-01-000.
 4. ALL EXTERIOR OPENINGS AROUND PIPE TO BE SEALED WITH 110744-01-000.
 3. ALL PIPE AND FITTINGS TO BE ASSEMBLED WITH SOLVENT 4020-01-000.
 2. SLOPE OF TRAP ARM MUST BE 6 PER 305.
 1. SLOPE OF HORIZONTAL PIPING TO BE 6 PER 305 MIN.



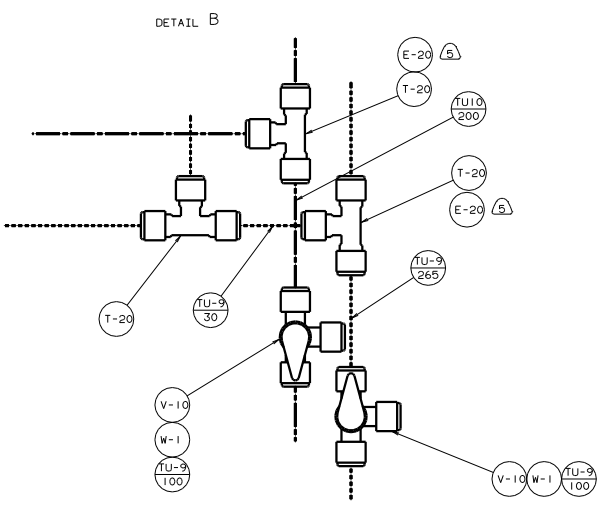
- ⑫ SECURE PIPES TO CABINET USING WIRE TIE 108046-02-000 AND SCREW 667-10-12U (8).
 ⑪ NOT USED ON CANADIANS.

X-X FOR DRAINAGE CALLOUTS SEE DWG NO. 116229-01-000

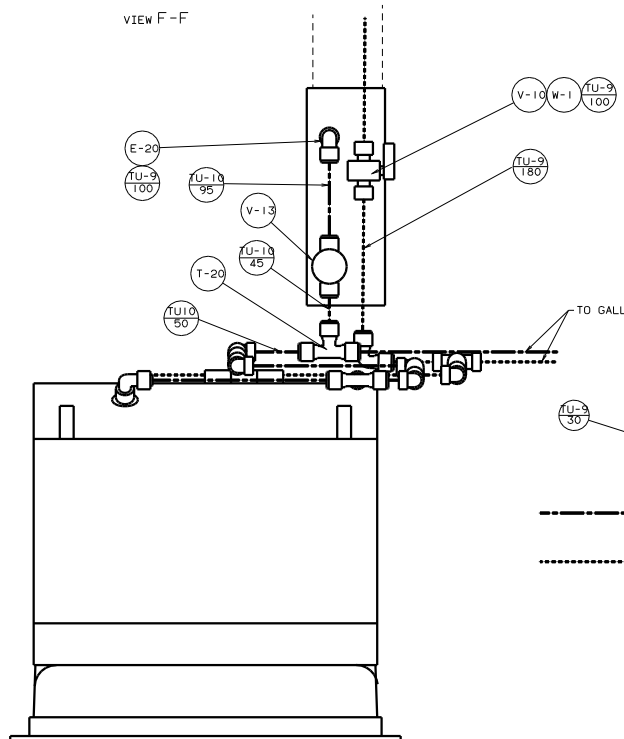
WINNEGAGO		97 321RB
OF IN	DATE	UNSPECIFIED TOLERANCES ARE:
CHP	DATE	WHOLE DIM (IN) ± 0.15
FPE	DATE	ONE-PLACE (IN, IN) ±
D/E	DATE	TWO-PLACE (IN, IN) ±
DATE	DATE	MILS
DATE	DATE	THIRD WHOLE INCHES
DATE	DATE	PROJECTION
LAYOUT NO.	SCALE: 0-1	TO THE SCALE SHOWN
DATE	SHEET 1 OF 1	DATE: 121982
REF: 110931 K I		



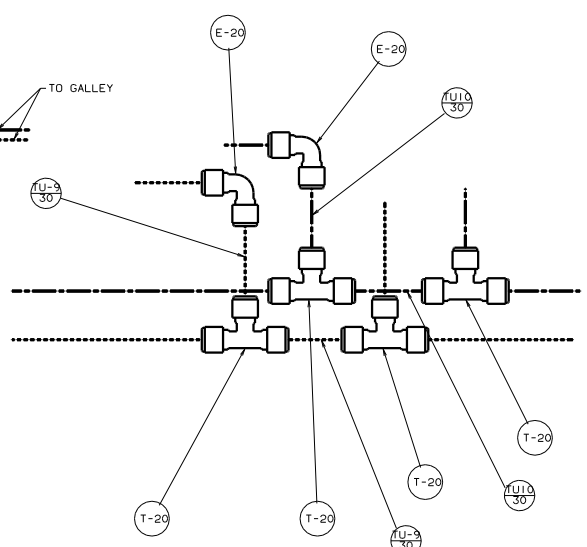
VIEW F-F



DETAIL B



DETAIL B (B)



VIEW D-D

99 322R	
TITLE: WATER SYSTEM INSTL	
NO. OF SHEETS	TOTAL SHEETS
2 OF 2	2
129911	