

222RC/RT US/CANADIAN
 181 CODE STANDARDS-USA
 265 CODE STANDARDS-CSA

FOR DRAINAGE CALLOUTS SEE DWG NO. 116229-01-000

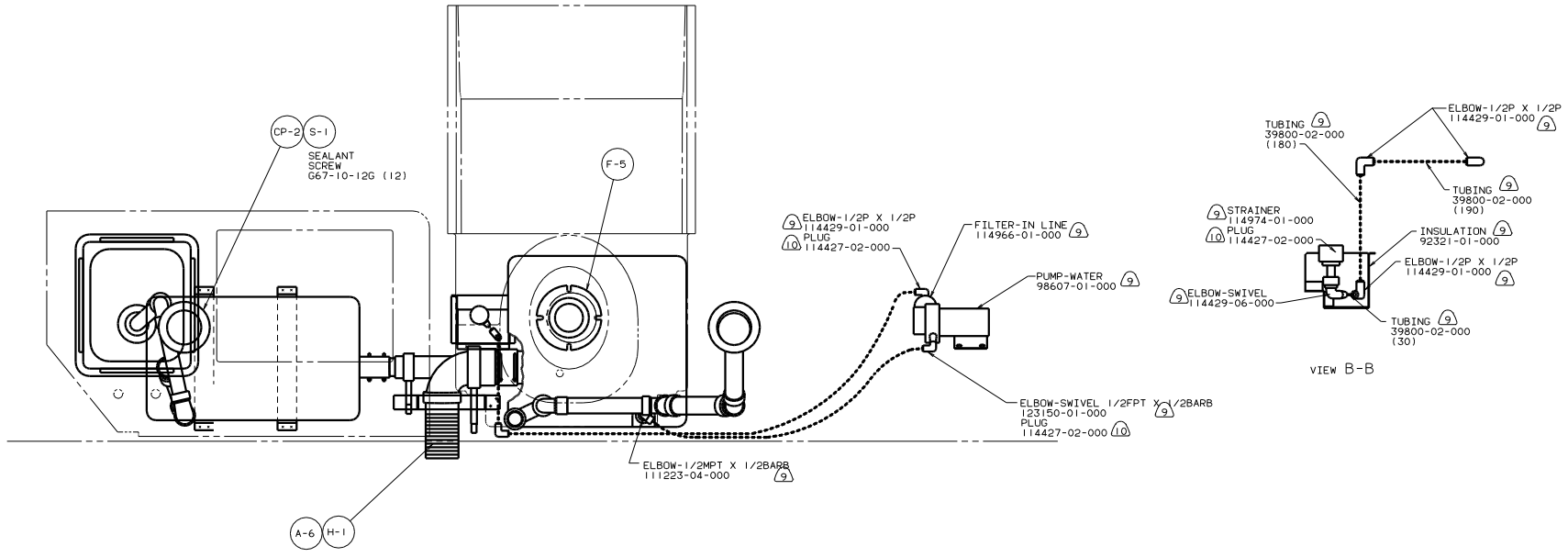
5. EXPOSED PIPE ABOVE ROOF TO BE PAINTED 37163-01-000.
4. ALL EXTERIOR OPENINGS AROUND PIPE TO BE SEALED WITH 69637-01-000.
3. ALL PIPE AND FITTINGS TO BE ASSEMBLED WITH SOLVENT 4020-01-000.
2. SLOPE OF TRAP ARM MUST BE 6 PER 305.
1. SLOPE OF HORIZONTAL PIPING TO BE 6 PER 305 MIN.
- NOTES:
- ⑩ 1A7 SHOWER PACKAGE WITHOUT.
- ⑨ 1A0 SHOWER PACKAGE.
- ⑧ VENT PIPE MUST PROJECT 51 MM MIN AND 63.5 MM MAX ABOVE ROOF FOR PROPER FIT AND FUNCTION.
- ⑦ SEE DWG 61607-01-000 FOR INSTALLATION OF GROMMET.
6. FOR CANADIAN UNITS EACH HOLDING TANK SHALL HAVE A CSA APPROVAL STAMPED NEAR THE TAMPO APPROVAL.

13. SECURE PIPES TO CABINET USING WIRE TIE 108046-02-000 AND SCREW G67-10-12U (8).
- ⑬ NOT USED ON CANADIAN UNIT.
- ①① USE SCRAP CLOSED CELL NEOPRENE FROM 77075-01-02 OR -03 ON BRACKETS FOR VIBRATION DAMPENING.

OP/IT	DATE	UNAPPROVED TOLERANCES ARE:	MATERIAL
CHP	DATE	WHOLE DIM (1)	+
PIE	DATE	ONE-PLACE (1)	.X1
P/E	DATE	TWO-PLACE (1)	.XX1
DATE	DATE	THREE-PLACE (1)	.XXX1
DATE	DATE	FOUR-PLACE (1)	.XXXX1

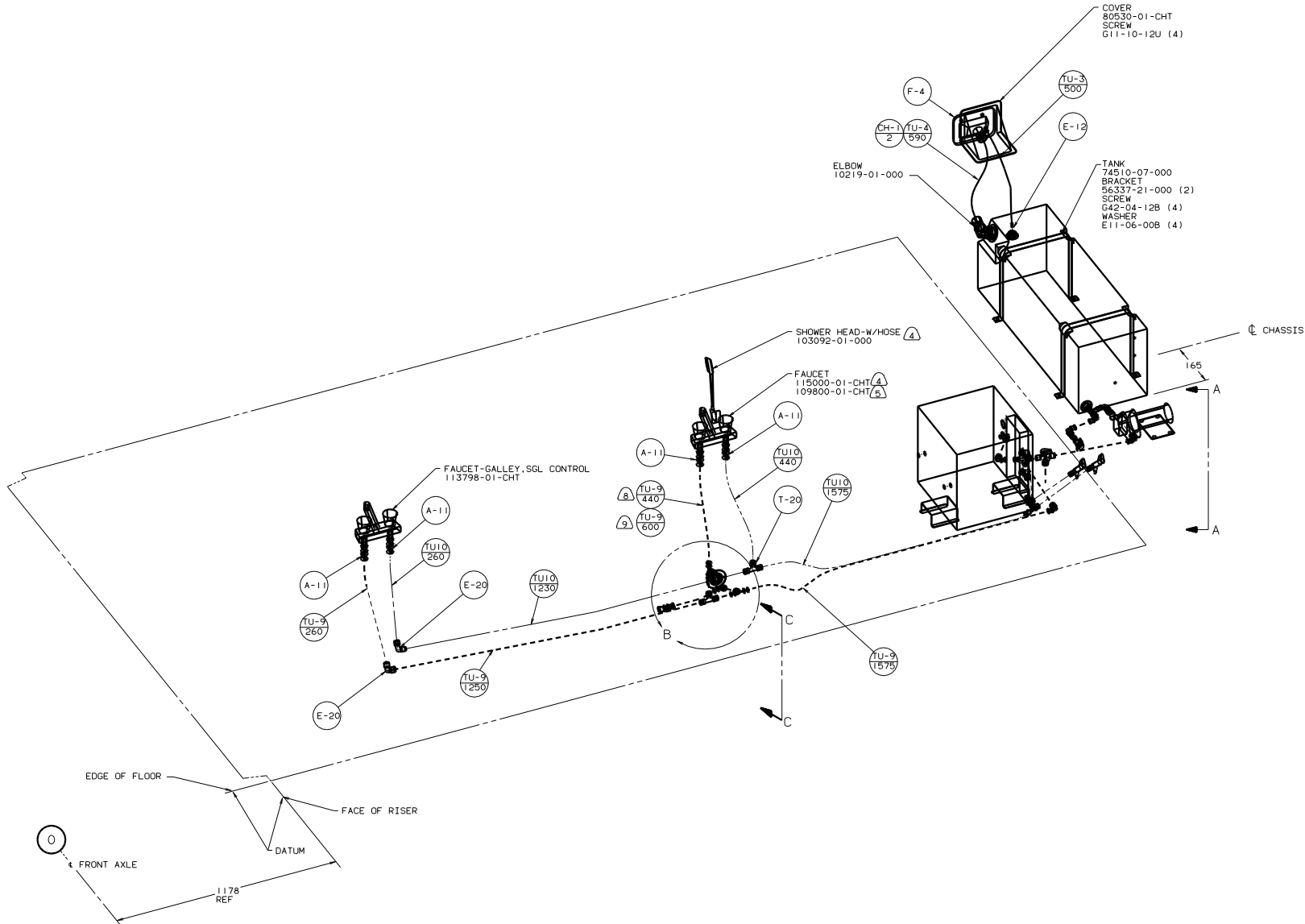
222IR16 TITLE: DRAINAGE SYSTEM INSTL

SHEET 1 OF 2 REF: 119111



VIEW A-A

VIEW B-B

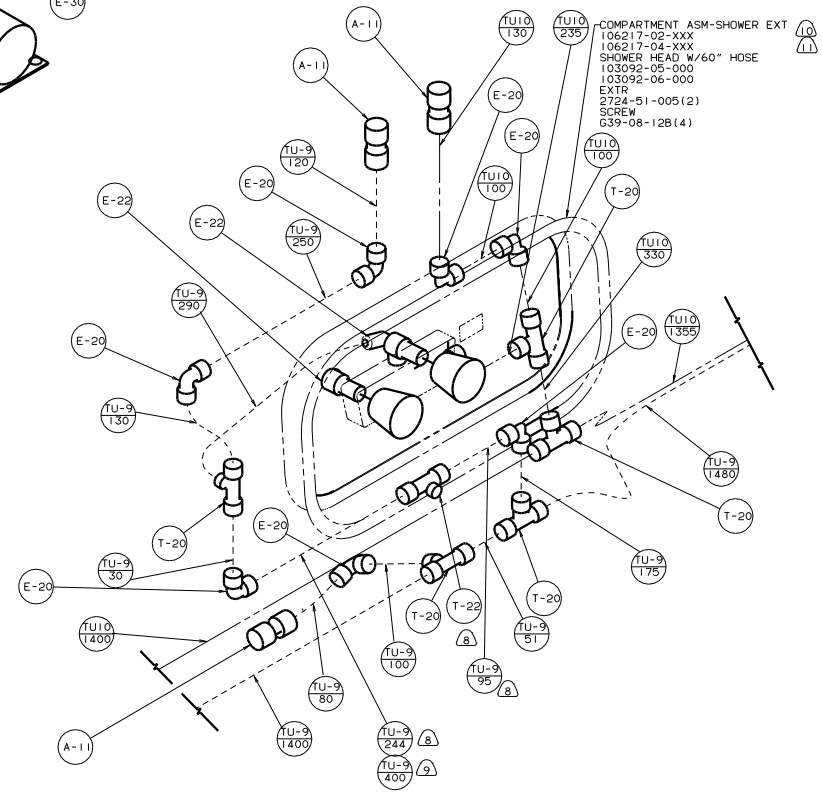
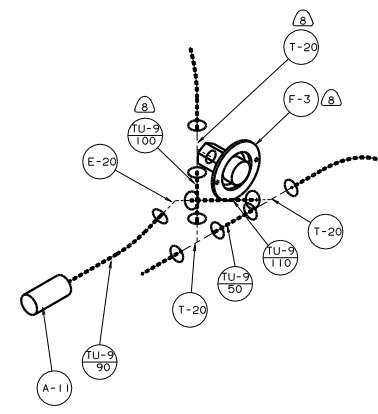
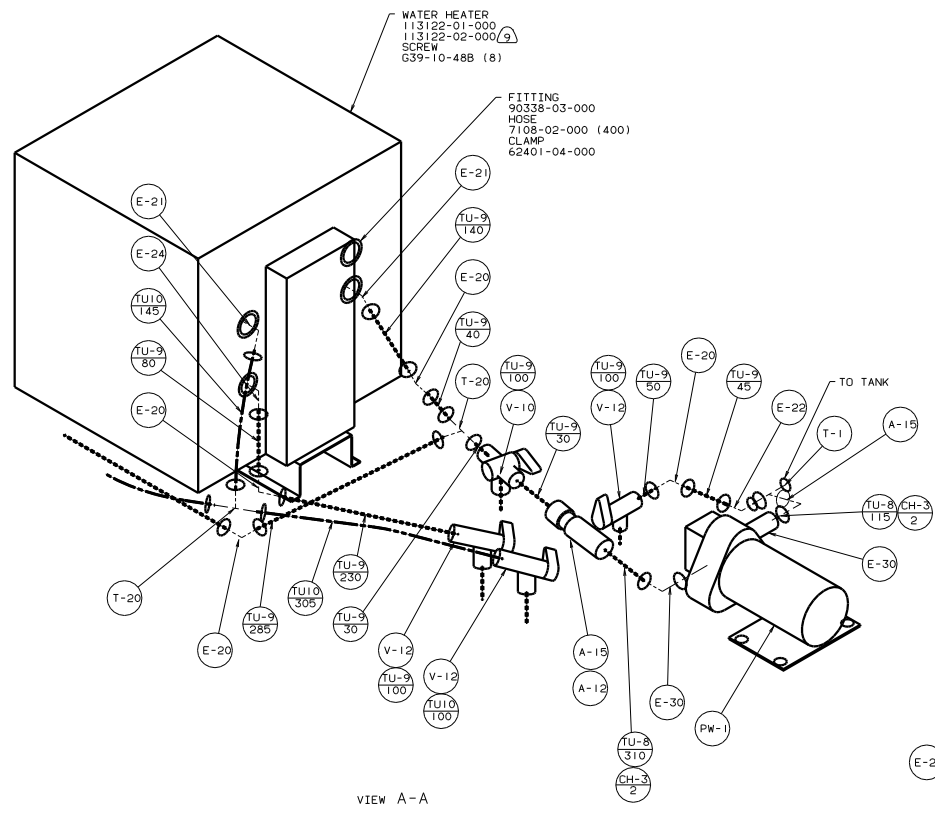


- (7) USE WITHOUT EXTERIOR SHOWER.
 - (A) USE WITH EXTERIOR SHOWER ONLY.
 - (S) USE WITHOUT SHOWER SUMP SYSTEM.
 - (A) USE WITH SHOWER SUMP SYSTEM.
 - (1) USE ON 98 MODELS.
 - (10) USE ON 97 MODELS.
 - (9) USE WITH WIE EXPORT PREP PACKAGE.
 - (A) USE WITHOUT W.I.E. EXPORT PREP PACKAGE.
3. ALL TUBING TO BE SECURED AT 1200 INTERVALS MAXIMUM WITH CLAMP 10495-01-000 OR CLIP 91951-01-000 AND SCREW G67-10-12B.
2. TUBING TO BE INSTALLED WITH SUFFICIENT SLOPE TO PROVIDE DRAINAGE TO NEAREST VALVE.
1. PLASTIC FITTINGS TO BE SEALED WITH SEALANT 84456-01-000

FOR WATER CALLOUTS SEE DWG NO. 116230-01-000

LEGEND	
HOT	—————
COLD	*****

		96 221RC
DATE	UNDESIGNED TOLERANCES ARE:	MATERIAL
DATE	WHOLE DIM (IN)	F
DATE	ONE-PLACE (IN.X1)	.
DATE	TWO-PLACE (IN.XX)	.
DATE	THREE-PLACE (IN.XXX)	.
DATE	FOUR-PLACE (IN.XXXX)	.
DATE	FIVE-PLACE (IN.XXXXX)	.
DATE	SIX-PLACE (IN.XXXXXX)	.
DATE	SEVEN-PLACE (IN.XXXXXXX)	.
DATE	EIGHT-PLACE (IN.XXXXXXXX)	.
DATE	NINE-PLACE (IN.XXXXXXXXX)	.
DATE	TEN-PLACE (IN.XXXXXXXXXX)	.
DATE	ELEVEN-PLACE (IN.XXXXXXXXXXX)	.
DATE	TWELVE-PLACE (IN.XXXXXXXXXXX)	.
DATE	THIRTEEN-PLACE (IN.XXXXXXXXXXX)	.
DATE	FOURTEEN-PLACE (IN.XXXXXXXXXXX)	.
DATE	FIFTEEN-PLACE (IN.XXXXXXXXXXX)	.
DATE	SIXTEEN-PLACE (IN.XXXXXXXXXXX)	.
DATE	SEVENTEEN-PLACE (IN.XXXXXXXXXXX)	.
DATE	EIGHTEEN-PLACE (IN.XXXXXXXXXXX)	.
DATE	NINETEEN-PLACE (IN.XXXXXXXXXXX)	.
DATE	TWENTY-PLACE (IN.XXXXXXXXXXX)	.
DATE	TWENTY-ONE-PLACE (IN.XXXXXXXXXXX)	.
DATE	TWENTY-TWO-PLACE (IN.XXXXXXXXXXX)	.
DATE	TWENTY-THREE-PLACE (IN.XXXXXXXXXXX)	.
DATE	TWENTY-FOUR-PLACE (IN.XXXXXXXXXXX)	.
DATE	TWENTY-FIVE-PLACE (IN.XXXXXXXXXXX)	.
DATE	TWENTY-SIX-PLACE (IN.XXXXXXXXXXX)	.
DATE	TWENTY-SEVEN-PLACE (IN.XXXXXXXXXXX)	.
DATE	TWENTY-EIGHT-PLACE (IN.XXXXXXXXXXX)	.
DATE	TWENTY-NINE-PLACE (IN.XXXXXXXXXXX)	.
DATE	THIRTY-PLACE (IN.XXXXXXXXXXX)	.
DATE	THIRTY-ONE-PLACE (IN.XXXXXXXXXXX)	.
DATE	THIRTY-TWO-PLACE (IN.XXXXXXXXXXX)	.
DATE	THIRTY-THREE-PLACE (IN.XXXXXXXXXXX)	.
DATE	THIRTY-FOUR-PLACE (IN.XXXXXXXXXXX)	.
DATE	THIRTY-FIVE-PLACE (IN.XXXXXXXXXXX)	.
DATE	THIRTY-SIX-PLACE (IN.XXXXXXXXXXX)	.
DATE	THIRTY-SEVEN-PLACE (IN.XXXXXXXXXXX)	.
DATE	THIRTY-EIGHT-PLACE (IN.XXXXXXXXXXX)	.
DATE	THIRTY-NINE-PLACE (IN.XXXXXXXXXXX)	.
DATE	FOURTY-PLACE (IN.XXXXXXXXXXX)	.
DATE	FOURTY-ONE-PLACE (IN.XXXXXXXXXXX)	.
DATE	FOURTY-TWO-PLACE (IN.XXXXXXXXXXX)	.
DATE	FOURTY-THREE-PLACE (IN.XXXXXXXXXXX)	.
DATE	FOURTY-FOUR-PLACE (IN.XXXXXXXXXXX)	.
DATE	FOURTY-FIVE-PLACE (IN.XXXXXXXXXXX)	.
DATE	FOURTY-SIX-PLACE (IN.XXXXXXXXXXX)	.
DATE	FOURTY-SEVEN-PLACE (IN.XXXXXXXXXXX)	.
DATE	FOURTY-EIGHT-PLACE (IN.XXXXXXXXXXX)	.
DATE	FOURTY-NINE-PLACE (IN.XXXXXXXXXXX)	.
DATE	FIFTY-PLACE (IN.XXXXXXXXXXX)	.
DATE	FIFTY-ONE-PLACE (IN.XXXXXXXXXXX)	.
DATE	FIFTY-TWO-PLACE (IN.XXXXXXXXXXX)	.
DATE	FIFTY-THREE-PLACE (IN.XXXXXXXXXXX)	.
DATE	FIFTY-FOUR-PLACE (IN.XXXXXXXXXXX)	.
DATE	FIFTY-FIVE-PLACE (IN.XXXXXXXXXXX)	.
DATE	FIFTY-SIX-PLACE (IN.XXXXXXXXXXX)	.
DATE	FIFTY-SEVEN-PLACE (IN.XXXXXXXXXXX)	.
DATE	FIFTY-EIGHT-PLACE (IN.XXXXXXXXXXX)	.
DATE	FIFTY-NINE-PLACE (IN.XXXXXXXXXXX)	.
DATE	SIXTY-PLACE (IN.XXXXXXXXXXX)	.
DATE	SIXTY-ONE-PLACE (IN.XXXXXXXXXXX)	.
DATE	SIXTY-TWO-PLACE (IN.XXXXXXXXXXX)	.
DATE	SIXTY-THREE-PLACE (IN.XXXXXXXXXXX)	.
DATE	SIXTY-FOUR-PLACE (IN.XXXXXXXXXXX)	.
DATE	SIXTY-FIVE-PLACE (IN.XXXXXXXXXXX)	.
DATE	SIXTY-SIX-PLACE (IN.XXXXXXXXXXX)	.
DATE	SIXTY-SEVEN-PLACE (IN.XXXXXXXXXXX)	.
DATE	SIXTY-EIGHT-PLACE (IN.XXXXXXXXXXX)	.
DATE	SIXTY-NINE-PLACE (IN.XXXXXXXXXXX)	.
DATE	SEVENTY-PLACE (IN.XXXXXXXXXXX)	.
DATE	SEVENTY-ONE-PLACE (IN.XXXXXXXXXXX)	.
DATE	SEVENTY-TWO-PLACE (IN.XXXXXXXXXXX)	.
DATE	SEVENTY-THREE-PLACE (IN.XXXXXXXXXXX)	.
DATE	SEVENTY-FOUR-PLACE (IN.XXXXXXXXXXX)	.
DATE	SEVENTY-FIVE-PLACE (IN.XXXXXXXXXXX)	.
DATE	SEVENTY-SIX-PLACE (IN.XXXXXXXXXXX)	.
DATE	SEVENTY-SEVEN-PLACE (IN.XXXXXXXXXXX)	.
DATE	SEVENTY-EIGHT-PLACE (IN.XXXXXXXXXXX)	.
DATE	SEVENTY-NINE-PLACE (IN.XXXXXXXXXXX)	.
DATE	EIGHTY-PLACE (IN.XXXXXXXXXXX)	.
DATE	EIGHTY-ONE-PLACE (IN.XXXXXXXXXXX)	.
DATE	EIGHTY-TWO-PLACE (IN.XXXXXXXXXXX)	.
DATE	EIGHTY-THREE-PLACE (IN.XXXXXXXXXXX)	.
DATE	EIGHTY-FOUR-PLACE (IN.XXXXXXXXXXX)	.
DATE	EIGHTY-FIVE-PLACE (IN.XXXXXXXXXXX)	.
DATE	EIGHTY-SIX-PLACE (IN.XXXXXXXXXXX)	.
DATE	EIGHTY-SEVEN-PLACE (IN.XXXXXXXXXXX)	.
DATE	EIGHTY-EIGHT-PLACE (IN.XXXXXXXXXXX)	.
DATE	EIGHTY-NINE-PLACE (IN.XXXXXXXXXXX)	.
DATE	NINETY-PLACE (IN.XXXXXXXXXXX)	.
DATE	NINETY-ONE-PLACE (IN.XXXXXXXXXXX)	.
DATE	NINETY-TWO-PLACE (IN.XXXXXXXXXXX)	.
DATE	NINETY-THREE-PLACE (IN.XXXXXXXXXXX)	.
DATE	NINETY-FOUR-PLACE (IN.XXXXXXXXXXX)	.
DATE	NINETY-FIVE-PLACE (IN.XXXXXXXXXXX)	.
DATE	NINETY-SIX-PLACE (IN.XXXXXXXXXXX)	.
DATE	NINETY-SEVEN-PLACE (IN.XXXXXXXXXXX)	.
DATE	NINETY-EIGHT-PLACE (IN.XXXXXXXXXXX)	.
DATE	HUNDRED-PLACE (IN.XXXXXXXXXXX)	.



WITH EXTERIOR SHOWER