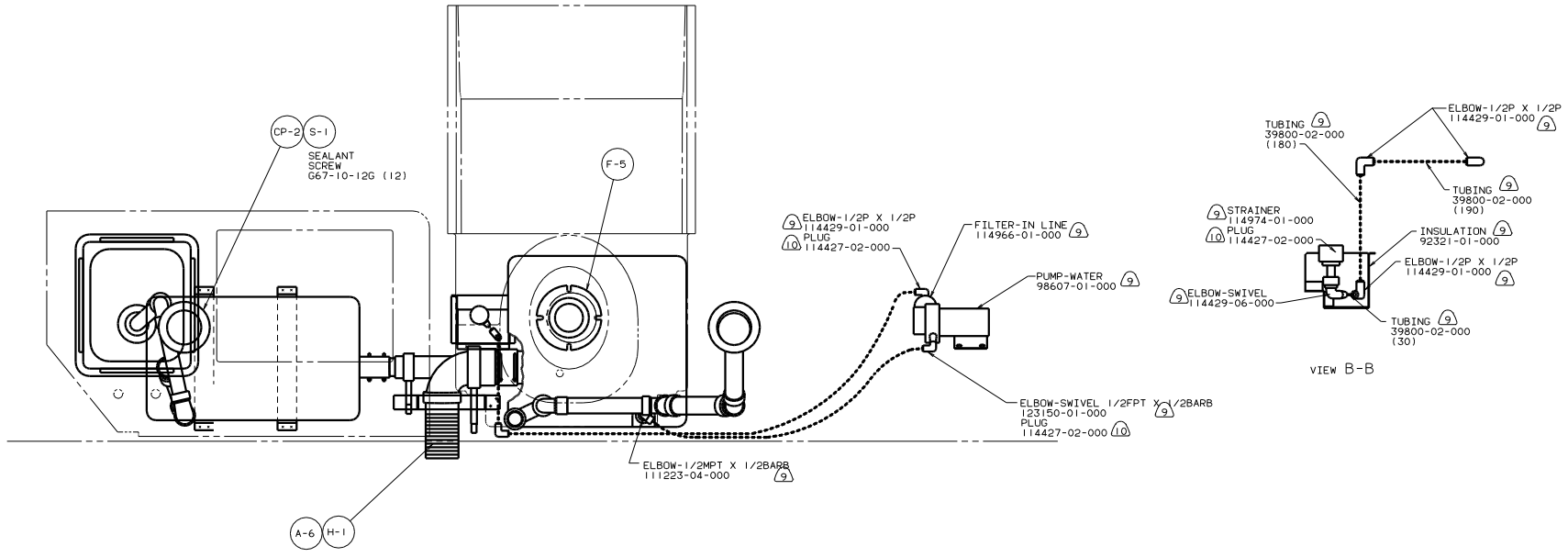


5. EXPOSED PIPE ABOVE ROOF TO BE PAINTED 37163-01-000.
4. ALL EXTERIOR OPENINGS AROUND PIPE TO BE SEALED WITH 69637-01-000.
3. ALL PIPE AND FITTINGS TO BE ASSEMBLED WITH SOLVENT 4020-01-000.
2. SLOPE OF TRAP ARM MUST BE 6 PER 305.
1. SLOPE OF HORIZONTAL PIPING TO BE 6 PER 305 MIN.
- NOTES:
- (10) 1A7 SHOWER PACKAGE WITHOUT.
- (9) 1A0 SHOWER PACKAGE.
- (8) VENT PIPE MUST PROJECT 51 MM MIN AND 63.5 MM MAX ABOVE ROOF FOR PROPER FIT AND FUNCTION.
- (7) SEE DWG 61607-01-000 FOR INSTALLATION OF GROMMET.
6. FOR CANADIAN UNITS EACH HOLDING TANK SHALL HAVE A CSA APPROVAL STAMPED NEAR THE TAMPO APPROVAL.

13. SECURE PIPES TO CABINET USING WIRE TIE 108046-02-000 AND SCREW G67-10-12U (8).
- (12) NOT USED ON CANADIAN UNIT.
- (11) USE SCRAP CLOSED CELL NEOPRENE FROM 77075-01-02 OR -03 ON BRACKETS FOR VIBRATION DAMPENING.

(X-X) FOR DRAINAGE CALCULATIONS SEE DWG NO. 116229-01-000

222IR16		TITLE: DRAINAGE SYSTEM INSTL	
DATE	UNDESIGNED TOLERANCES ARE:	97 222 RC/RT	
DATE	WHOLE DIM (1)	MATERIAL:	
DATE	ONE-PLACE (1X.1)		
DATE	TWO-PLACE (1X.01)		
DATE	THREE-PLACE (1X.001)		
DATE	FOUR-PLACE (1X.0001)		
DATE	FIVE-PLACE (1X.00001)		
DATE	SIX-PLACE (1X.000001)		
DATE	SEVEN-PLACE (1X.0000001)		
DATE	EIGHT-PLACE (1X.00000001)		
DATE	NINE-PLACE (1X.000000001)		
DATE	TEN-PLACE (1X.0000000001)		
DATE	UNCHECKED DIMENSIONS ARE:		
DATE	WHOLE DIM (1)		
DATE	ONE-PLACE (1X.1)		
DATE	TWO-PLACE (1X.01)		
DATE	THREE-PLACE (1X.001)		
DATE	FOUR-PLACE (1X.0001)		
DATE	FIVE-PLACE (1X.00001)		
DATE	SIX-PLACE (1X.000001)		
DATE	SEVEN-PLACE (1X.0000001)		
DATE	EIGHT-PLACE (1X.00000001)		
DATE	NINE-PLACE (1X.000000001)		
DATE	TEN-PLACE (1X.0000000001)		
DATE	UNCHECKED DIMENSIONS ARE:		
DATE	WHOLE DIM (1)		
DATE	ONE-PLACE (1X.1)		
DATE	TWO-PLACE (1X.01)		
DATE	THREE-PLACE (1X.001)		
DATE	FOUR-PLACE (1X.0001)		
DATE	FIVE-PLACE (1X.00001)		
DATE	SIX-PLACE (1X.000001)		
DATE	SEVEN-PLACE (1X.0000001)		
DATE	EIGHT-PLACE (1X.00000001)		
DATE	NINE-PLACE (1X.000000001)		
DATE	TEN-PLACE (1X.0000000001)		



VIEW A-A

VIEW B-B

