



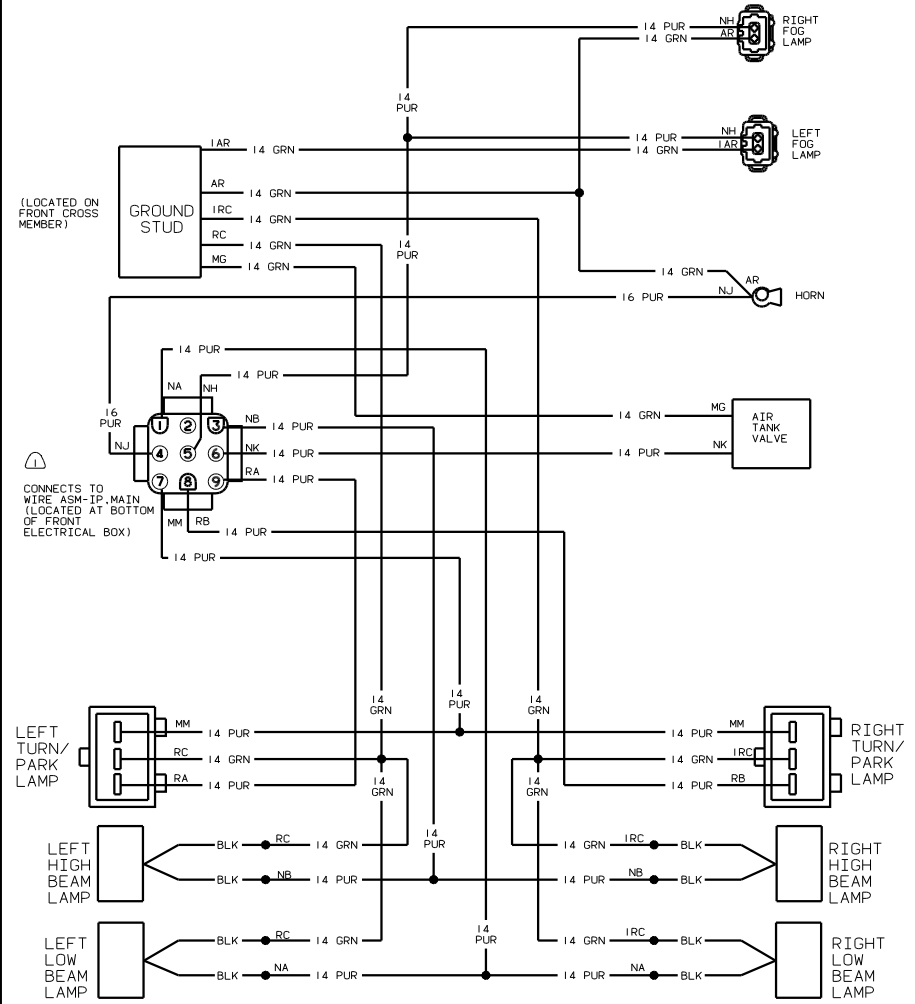
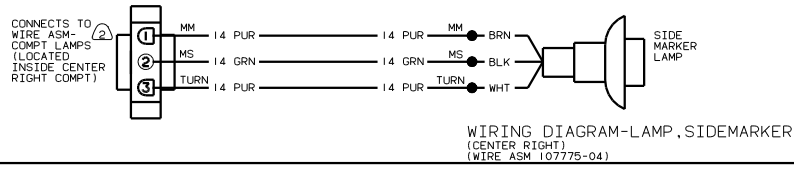
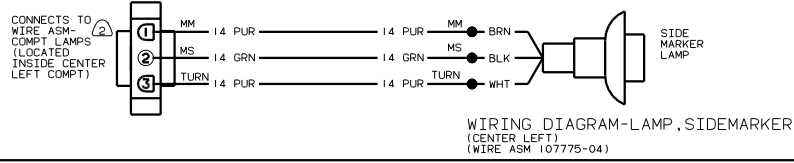
DANGER

Danger of electrical shock, burns or death. Always remove all power sources before attempting any repair, service or diagnostic work. Power can be present from shore power, generator, inverter or battery. All power sources must be disabled and secured before performing any service.



CAUTION

If you lack the skills, tools or equipment to perform diagnostic or repair work leave such work to an authorized Winnebago Industries dealer or other qualified shop.



(2) SEE WIRING DIAGRAM-BODY FOR ADDITIONAL INFORMATION.
 (1) SEE WIRING DIAGRAM AUTO FOR ADDITIONAL INFORMATION.

OF IN	DATE	UNSPECIFIED TOLERANCES ARE:	MATERIAL
CHP	DATE	WHOLE OR 1/16"	
PIE	DATE	ONE-PLACE (1/32)"	
D/E	DATE	TWO-PLACE (1/64)"	
COMB	DATE	THREE-PLACE (1/128)"	

WINNEBAGO 99 0-SERIES

WIRING DIAGRAM-AUTO LAMPS

SCALE: NONE TO THE SCALE SHOWN

ALL DIMENSIONS ARE IN MILLIMETERS

SHEET 1 OF 2

131521

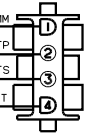
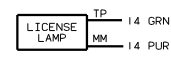
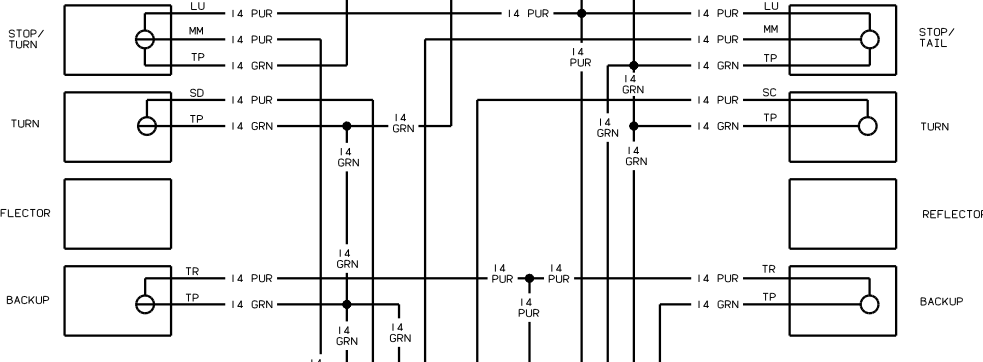
CENTER BRAKE LAMP



BLK RED
TP LU
14 GRN PUR

LEFT TAILLAMPS

RIGHT TAILLAMPS



CONNECTS TO WIRE ASM-CLEARANCE LAMPS RR

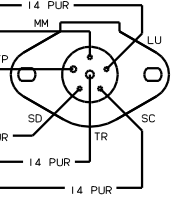
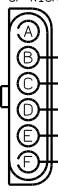


CONNECTS TO WIRE ASM-CHASSIS



(LOCATED NEAR REAR OF LEFT FRAME RAIL)

CONNECTS TO CHASSIS TAIL LAMP WIRING (LOCATED AT REAR OF RIGHT FRAME RAIL)



WIRING DIAGRAM-AUTO LAMPS (WIRE ASM 129731)

99 Q-SERIES

NOTES: 1. SEE MANUFACTURER'S DIAGRAM FOR ADDITIONAL INFORMATION.

TITLE		WIRING DIAGRAM-AUTO LAMPS	
DATE	SCALE	REV	REV
		2	1
SHEET 2 of 2		131521	