



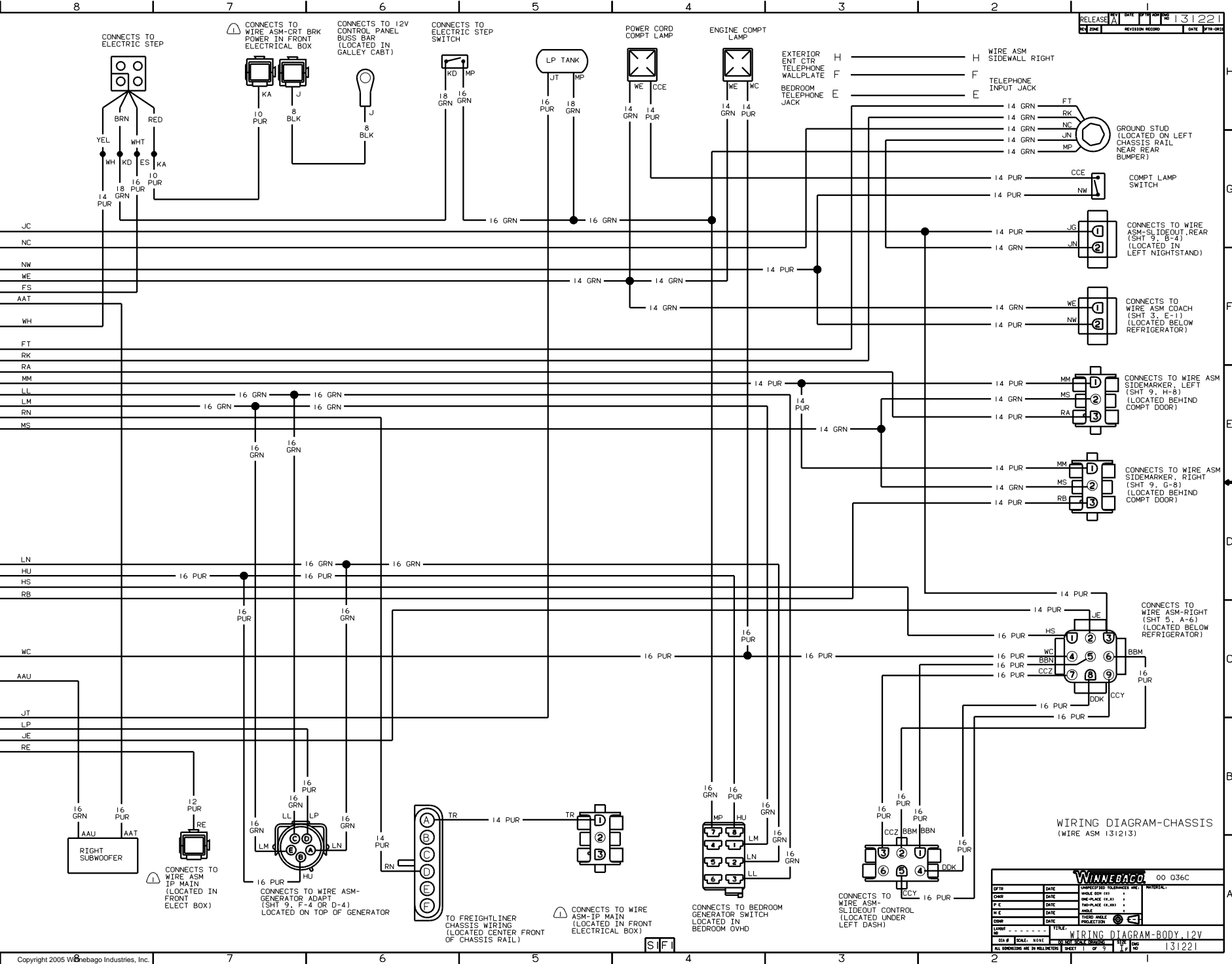
DANGER

Danger of electrical shock, burns or death. Always remove all power sources before attempting any repair, service or diagnostic work. Power can be present from shore power, generator, inverter or battery. All power sources must be disabled and secured before performing any service.



CAUTION

If you lack the skills, tools or equipment to perform diagnostic or repair work leave such work to an authorized Winnebago Industries dealer or other qualified shop.



WIRING DIAGRAM-CHASSIS (WIRE ASM 131213)

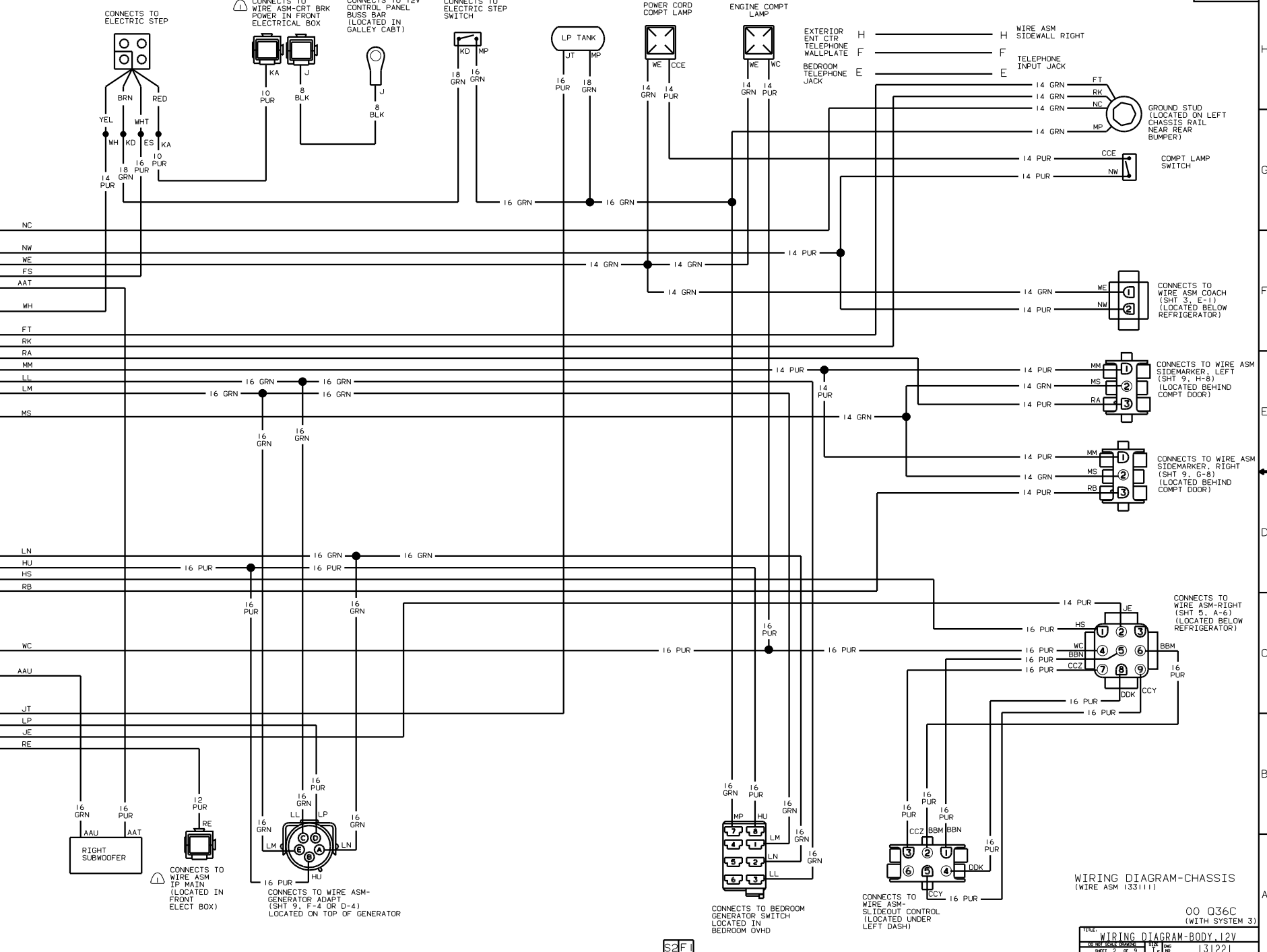
DATE		UNAPPROVED CHANGES ARE MATERIAL	
DESIGNED BY	DATE	MADE FOR (BY)	
DESIGNED BY	DATE	DESIGNED BY (BY)	
DESIGNED BY	DATE	PRO-PLACE (BY)	
DESIGNED BY	DATE	MADE	
DESIGNED BY	DATE	TESTED (BY)	
DESIGNED BY	DATE	INSPECTION	

WINNEBAGO 00 036C

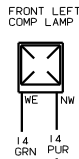
WIRING DIAGRAM-BODY 12V

SHEET 1 OF 9

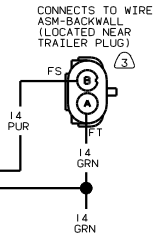
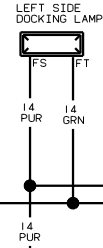
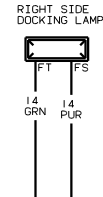
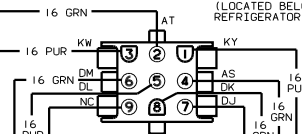
131221



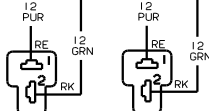
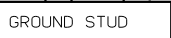
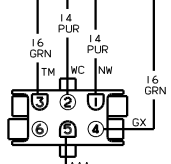
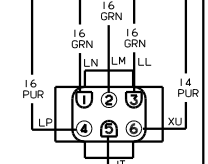
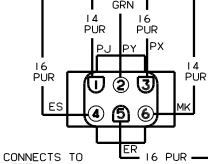
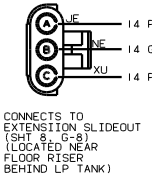
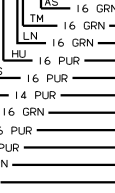
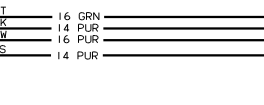
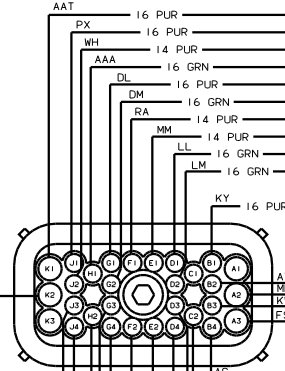
H
G
F
E
D
C
B
A



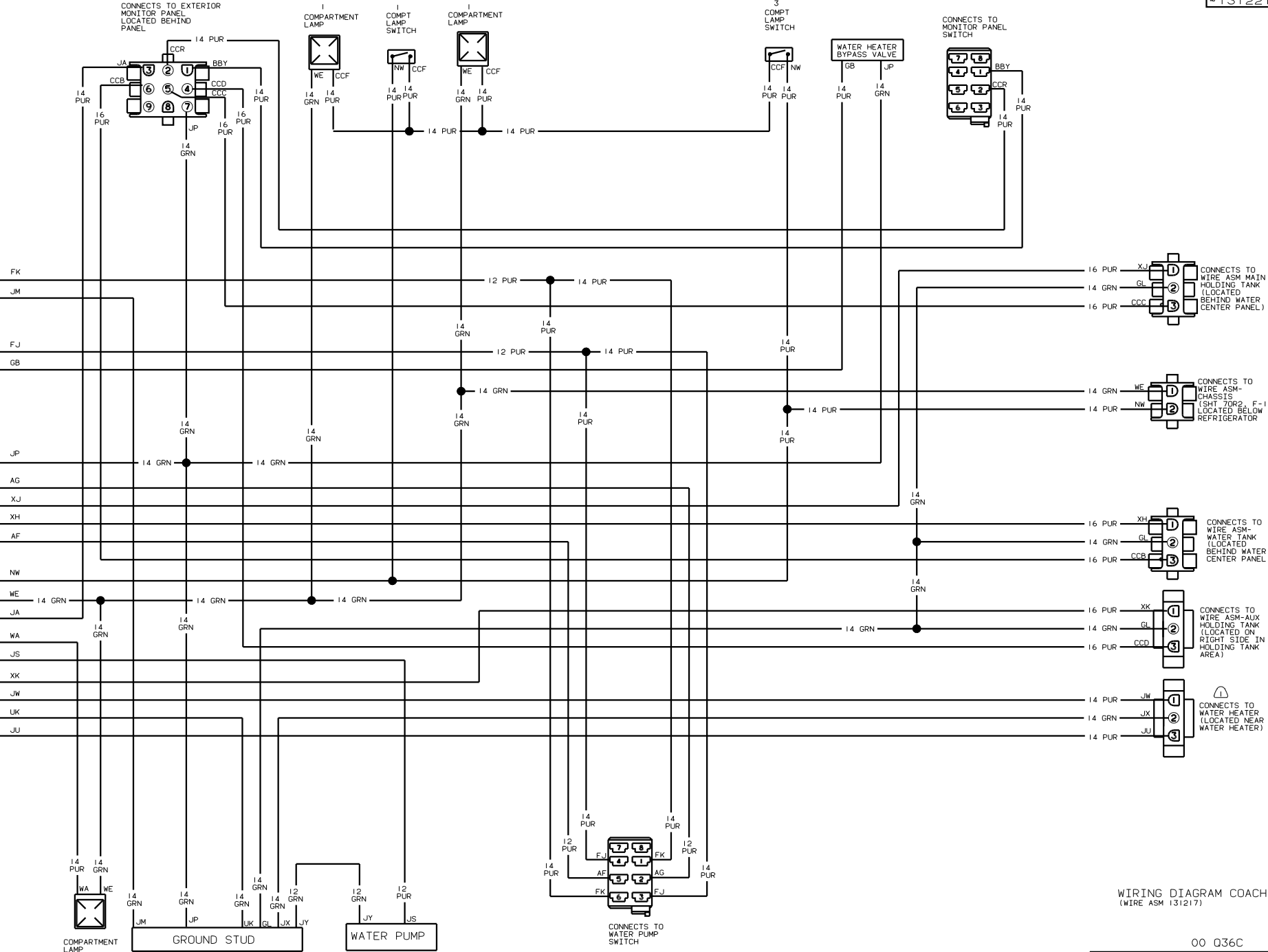
CONNECTS TO
WIRE ASM-ROOF
(SHT 6, F-8)
(LOCATED BELOW
REFRIGERATOR)



CONNECTS TO
WIRE ASM-
IP MAIN
LOCATED THRU
CAB FLOOR
ON LEFT SIDE



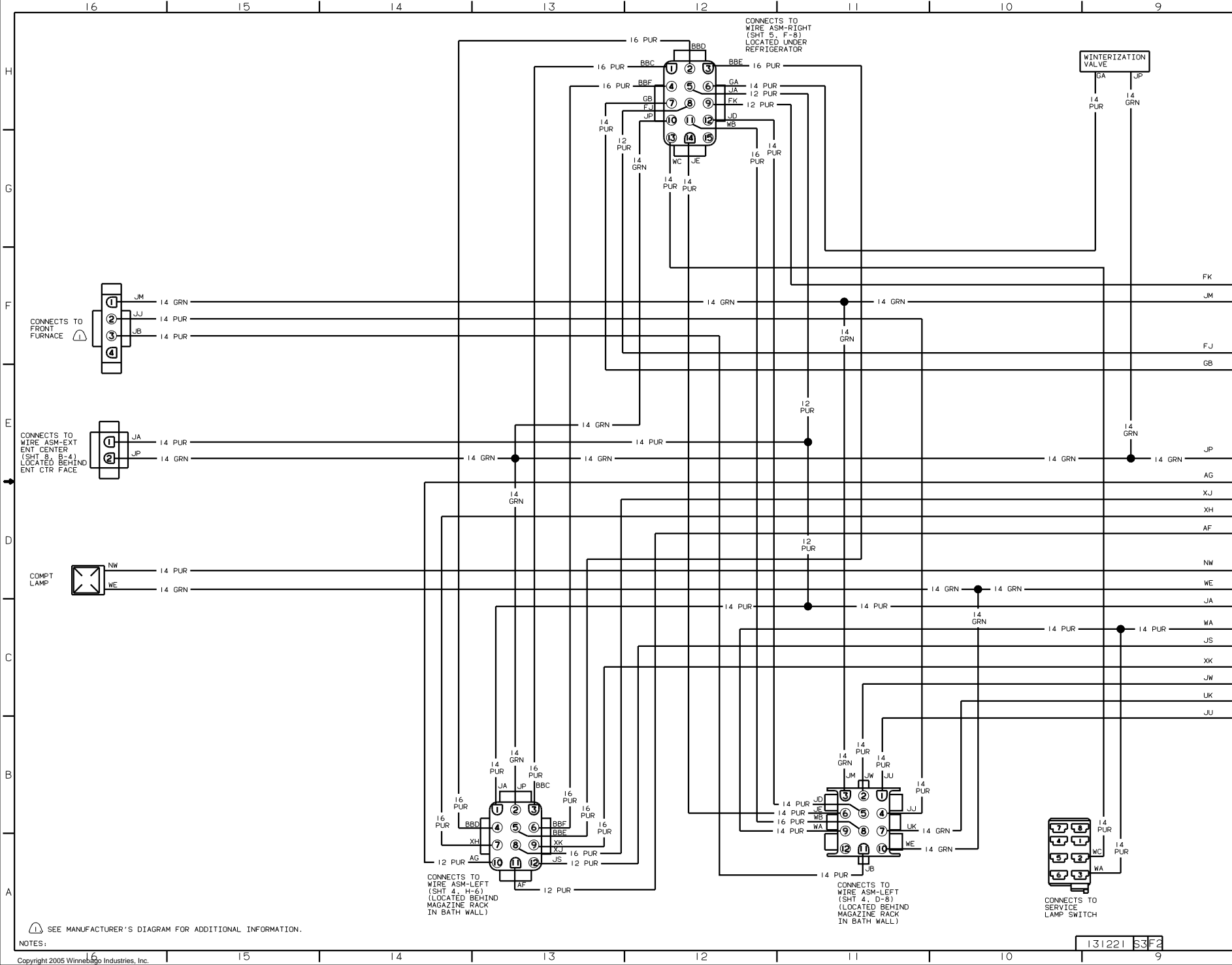
SEE WIRING DIAGRAM AUTO LAMPS FOR ADDITIONAL INFORMATION.
WITH BOSE SUBWOOFER ONLY.
SEE WIRING DIAGRAM-AUTO FOR ADDITIONAL INFORMATION.



WIRING DIAGRAM COACH
(WIRE ASM 131217)

00 Q36C

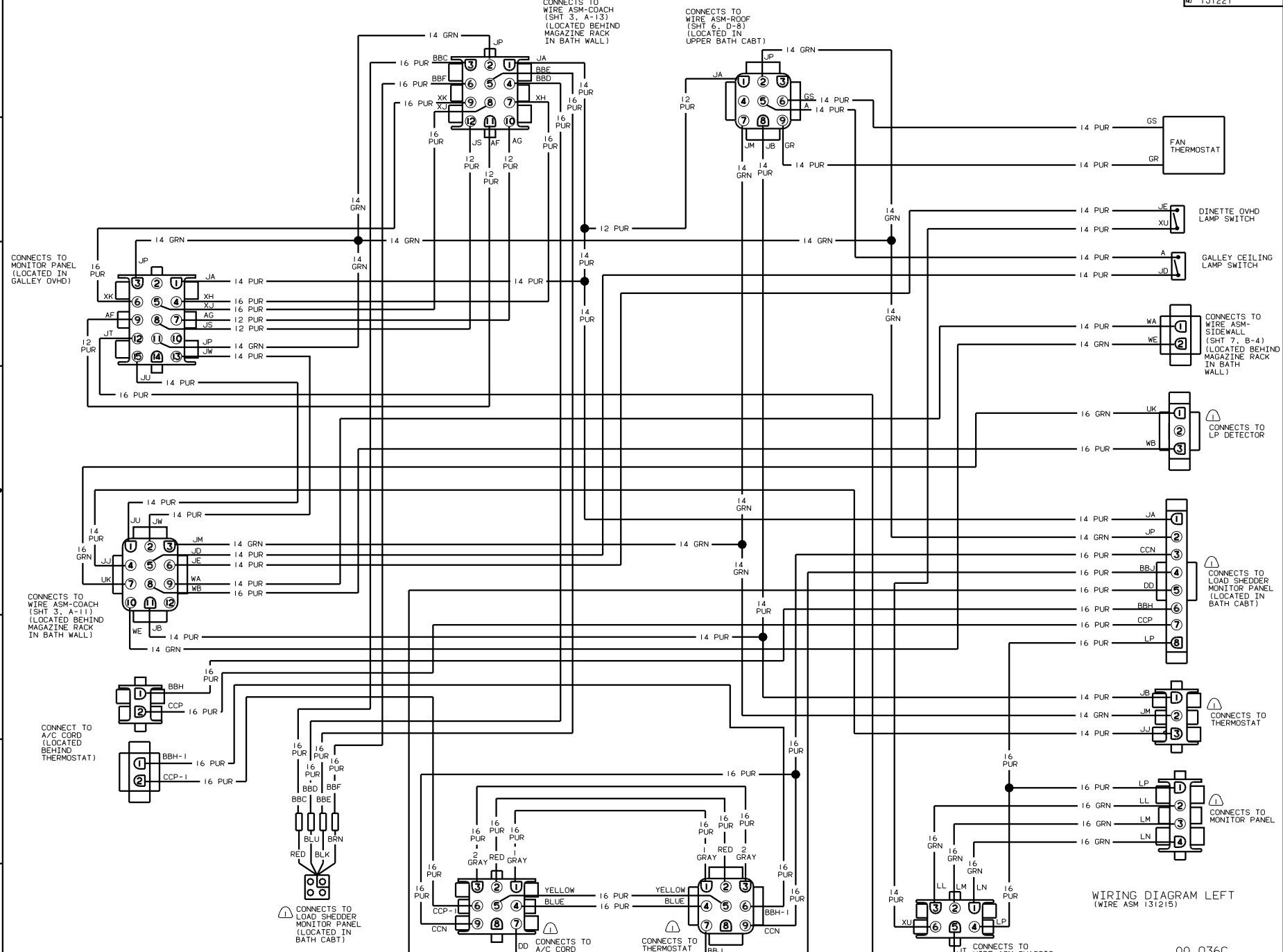
TITLE:	WIRING DIAGRAM-BODY.12V
NO. OF SHEETS:	1
SHEET 3 OF 9	131221



① SEE MANUFACTURER'S DIAGRAM FOR ADDITIONAL INFORMATION.

NOTES:

131221 33F2



CONNECTS TO MONITOR PANEL (LOCATED IN GALLEY OVHD)

CONNECTS TO WIRE ASM-COACH (SHT 3, A-13) (LOCATED BEHIND MAGAZINE RACK IN BATH WALL)

CONNECTS TO WIRE ASM-ROOF (SHT 6, D-8) (LOCATED IN UPPER BATH CABT)

CONNECTS TO WIRE ASM-COACH (SHT 3, A-11) (LOCATED BEHIND MAGAZINE RACK IN BATH WALL)

CONNECT TO A/C CORD (LOCATED BEHIND THERMOSTAT)

CONNECTS TO LOAD SHEDDER MONITOR PANEL (LOCATED IN BATH CABT)

CONNECTS TO THERMOSTAT

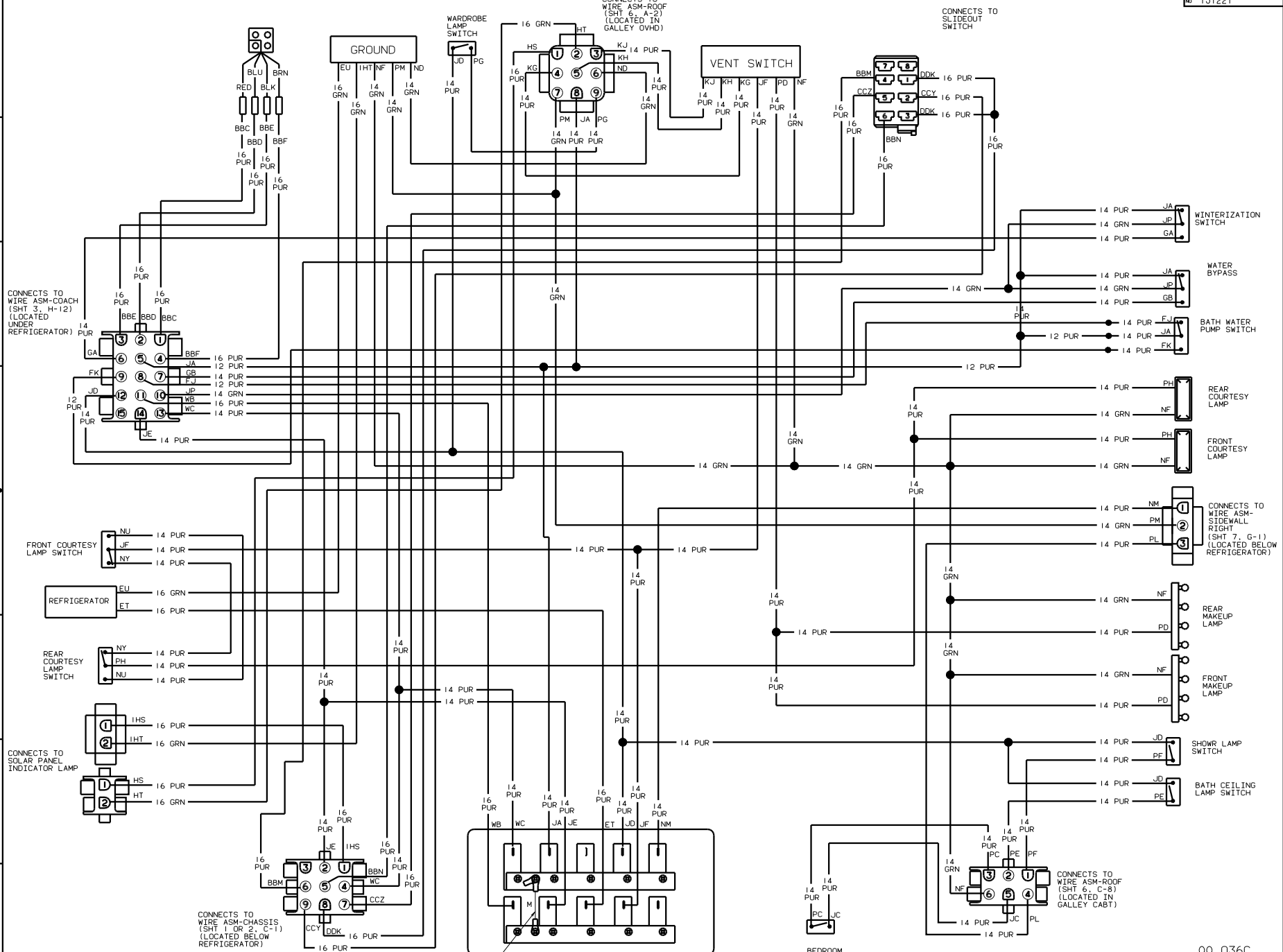
CONNECTS TO WIRE ASM-CHASSIS (SHT 1 OR 2, A-12) (LOCATED BEHIND MAGAZINE RACK IN BATH WALL)

WIRING DIAGRAM LEFT (WIRE ASM 131215)

00 Q36C

WIRING DIAGRAM-BODY_12V

NOTES: 1. SEE MANUFACTURER'S DIAGRAM FOR ADDITIONAL INFORMATION.

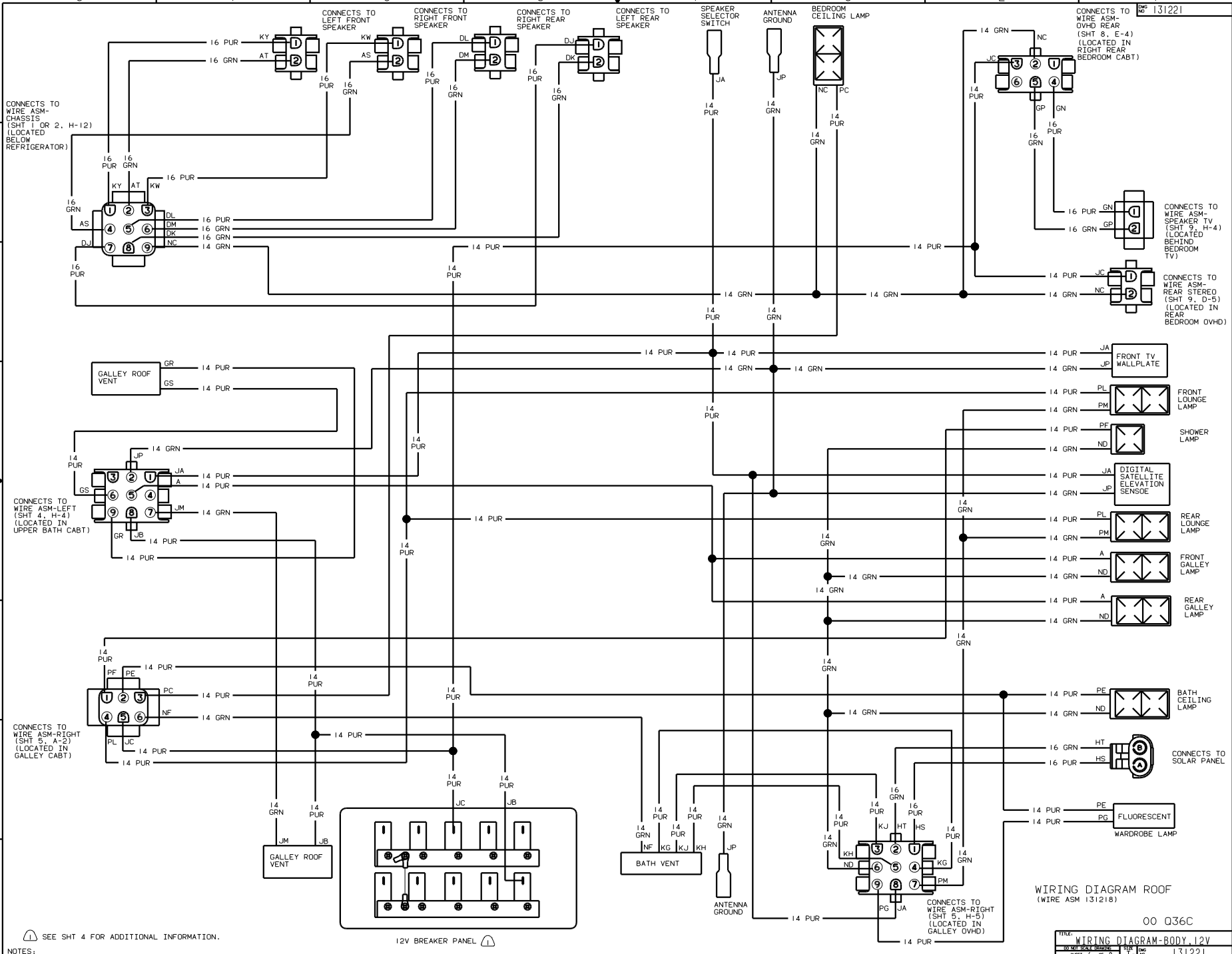


1 SEE SHT 5 FOR ADDITION INFORMATION.

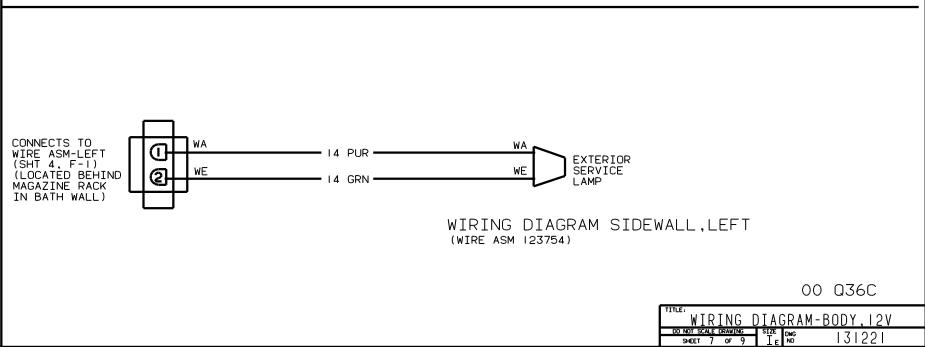
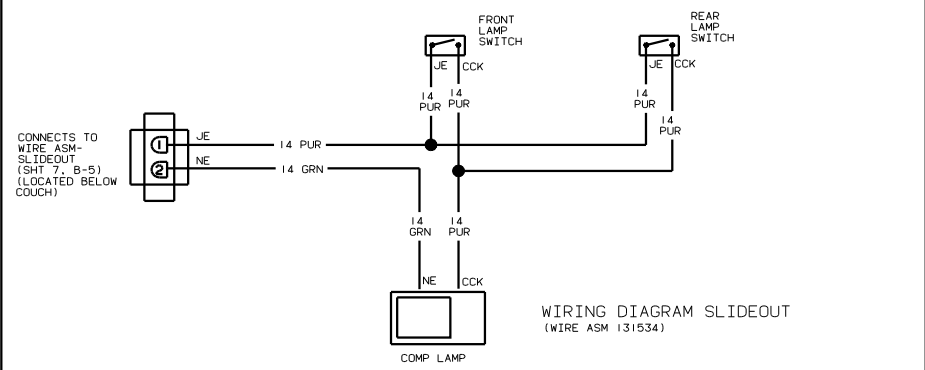
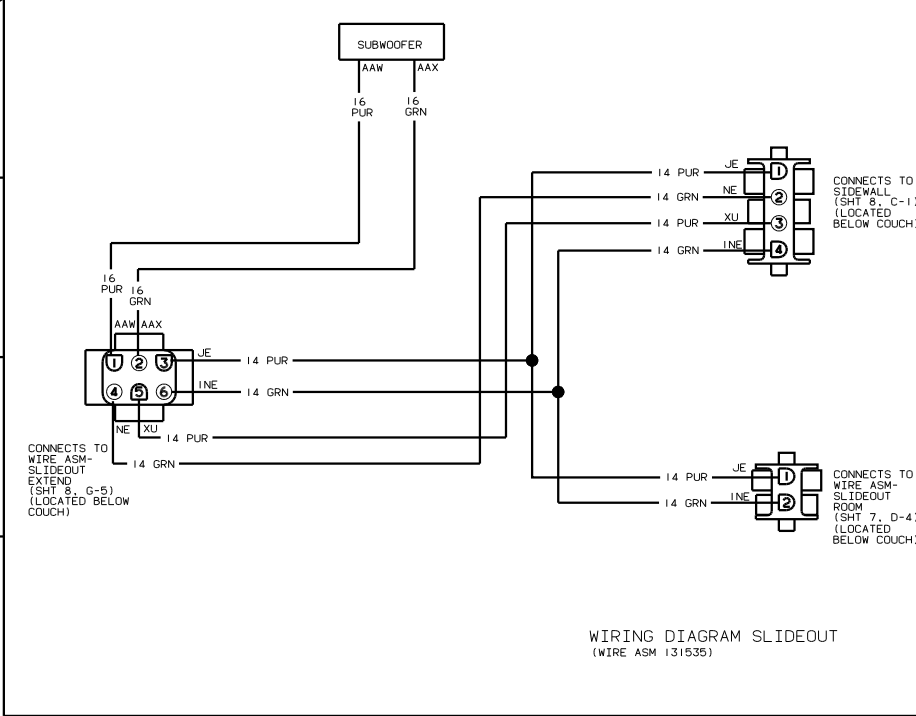
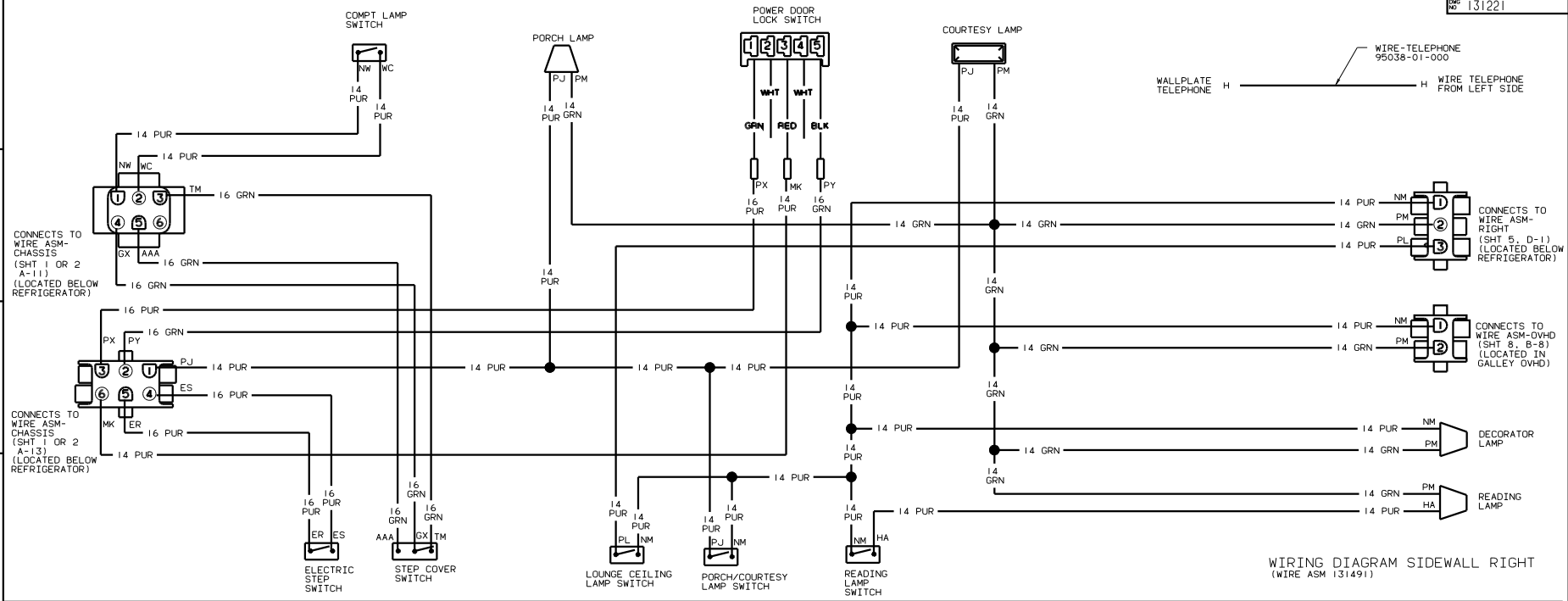
WIRING DIAGRAM RIGHT (WIRE ASM 131216)

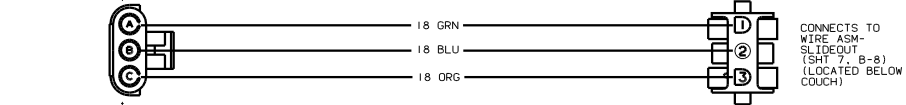
WIRING DIAGRAM-BODY 12V

00 Q36C



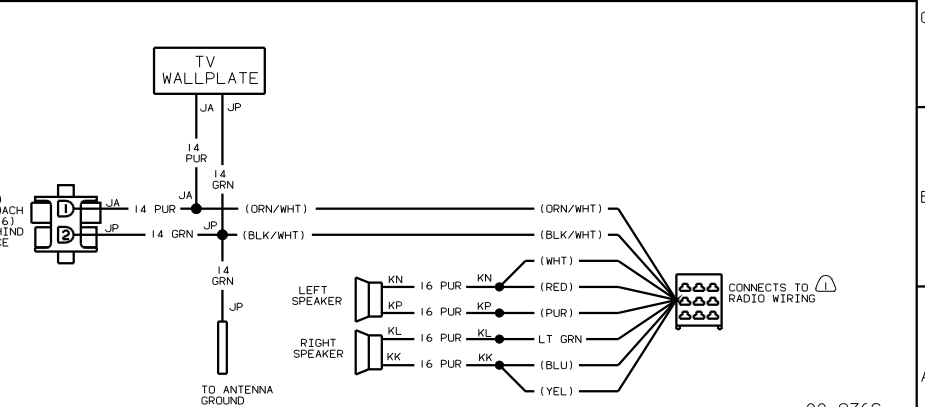
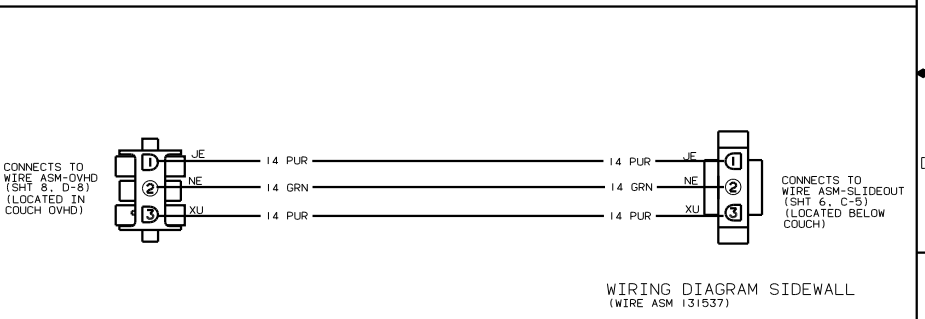
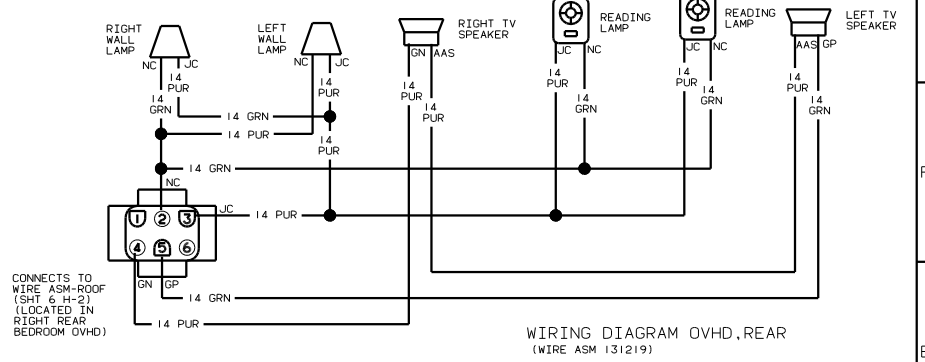
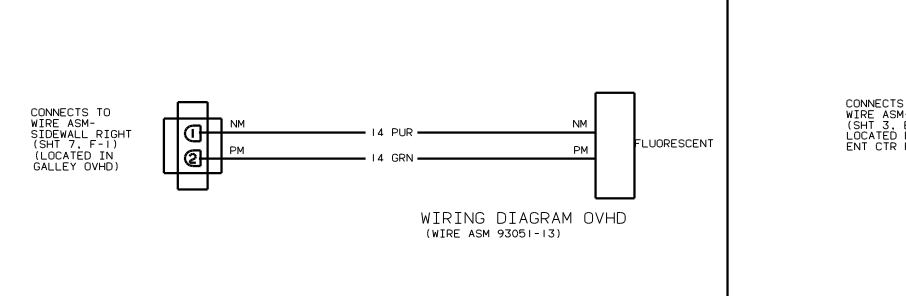
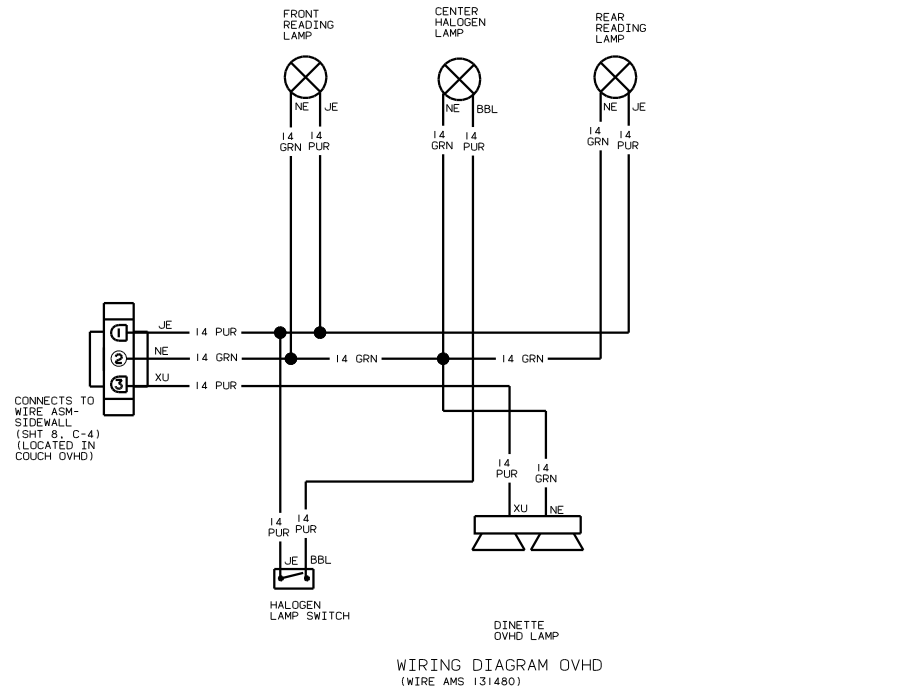
NOTES:
 SEE SHT 4 FOR ADDITIONAL INFORMATION.



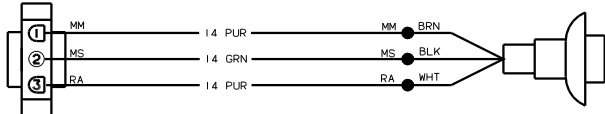


CONNECTS TO WIRE ASM-CHASSIS (SHT 1 OR 2, A-14) (LOCATED NEAR FLOOR RISER BEHIND LP TANK)

WIRING DIAGRAM EXT SLIDEOUT
(WIRE ASM 131536)



CONNECTS TO WIRE ASM-CHASSIS (SHT 1 OR 2, E-1) LOCATED BEHIND COMPT DOOR



LEFT SIDE MARKER LAMP

WIRING DIAGRAM-SIDE MARKER (WIRE ASM 107775-04)

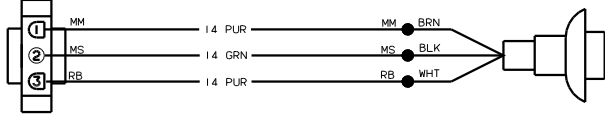
CONNECTS TO WIRE ASM-ROOF, LEFT (SHT 6, 6-1) LOCATED BEHIND BEDROOM TV



CONNECTS TO TV

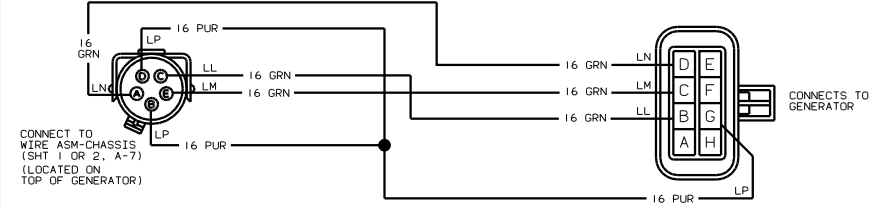
WIRING DIAGRAM-SPEAKER, TV (WIRE ASM 104271-02) (WITH BEDROOM TV)

CONNECTS TO WIRE ASM-CHASSIS (SHT 1 OR 2, E-1) LOCATED BEHIND COMPT DOOR



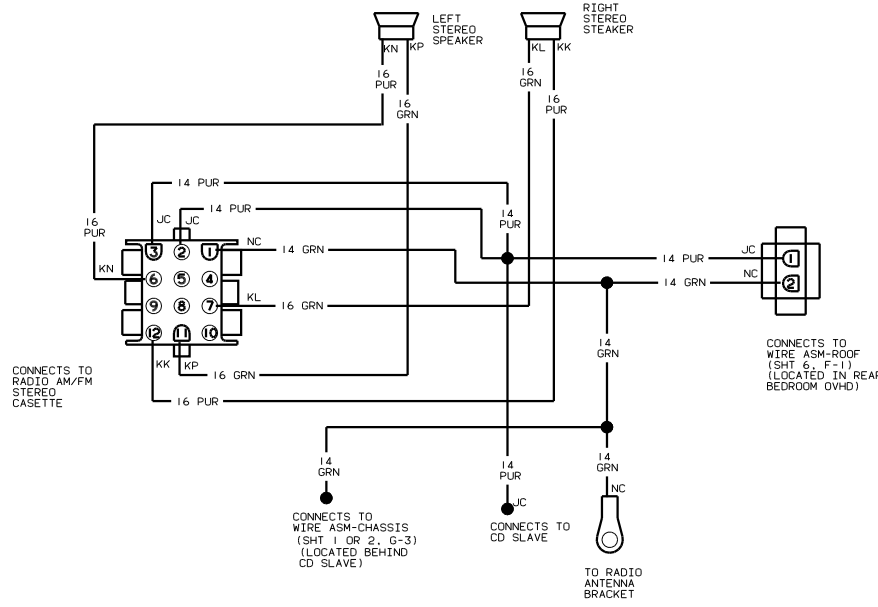
RIGHT SIDE MARKER LAMP

WIRING DIAGRAM-SIDE MARKER (WIRE ASM 107775-04)



CONNECTS TO GENERATOR

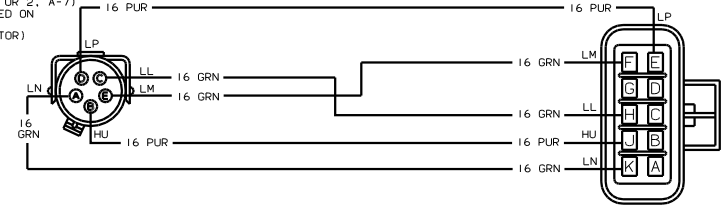
WIRING DIAGRAM GEN ADAPTER LP (WIRE ASM 130332-01)



CONNECTS TO WIRE ASM-ROOF (SHT 6, F-1) (LOCATED IN REAR BEDROOM OVHD)

WIRING DIAGRAM REAR, STEREO (WIRE ASM 124336-10)

CONNECTS TO WIRE ASM-CHASSIS (SHT 1 OR 2, A-7) (LOCATED ON TOP OF GENERATOR)



CONNECTS TO GENERATOR

WIRING DIAGRAM GEN ADAPTER, DIESEL (WIRE ASM 130332-02)