



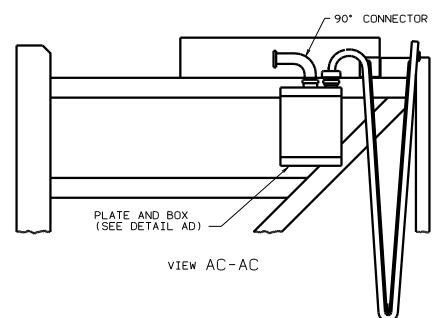
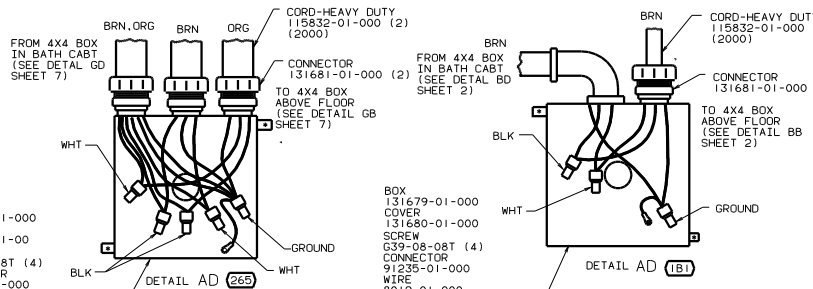
DANGER

Danger of electrical shock, burns or death. Always remove all power sources before attempting any repair, service or diagnostic work. Power can be present from shore power, generator, inverter or battery. All power sources must be disabled and secured before performing any service.



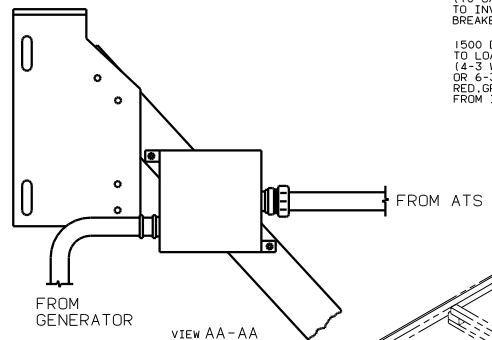
CAUTION

If you lack the skills, tools or equipment to perform diagnostic or repair work leave such work to an authorized Winnebago Industries dealer or other qualified shop.



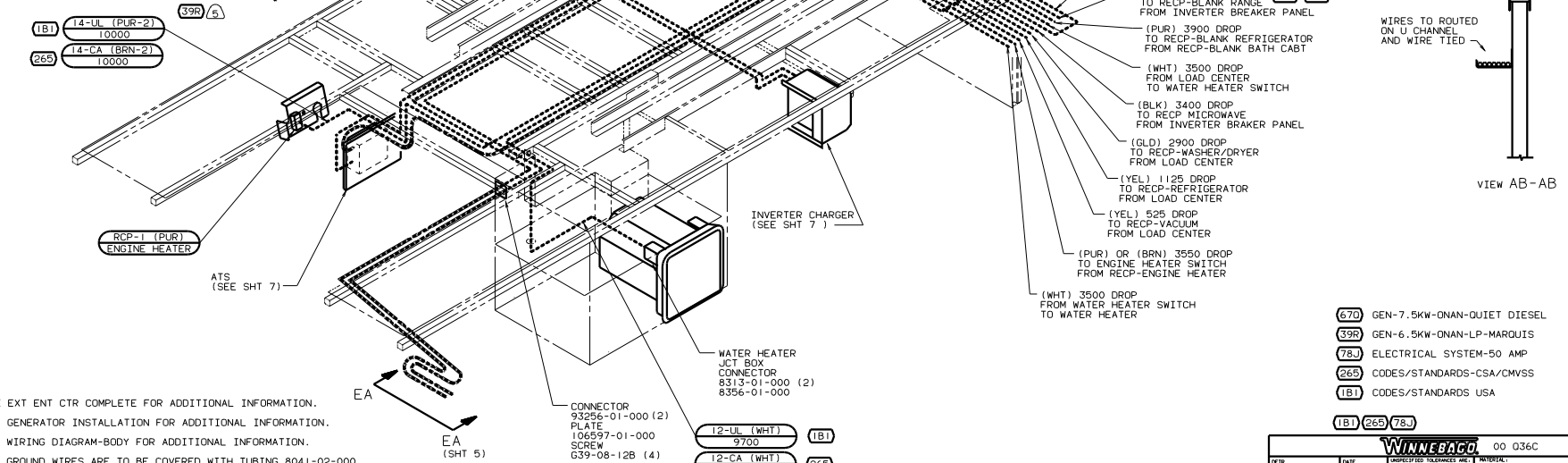
- BOX 131679-01-000
 COVER 131680-01-000
 SCREW G39-08-08T (4)
 CONNECTOR 93256-01-000
 WIRE 8019-01-000 (150)
 TERMINAL 8328-01-000
 CONNECTOR 8313-01-000 (3)
 SCREW-GROUND, GREEN (SUPPLIED W/BOX)
 BUSHING-CONDUIT 132054-01-000

- BOX 131679-01-000
 COVER 131680-01-000
 SCREW G39-08-08T (4)
 CONNECTOR 93256-01-000
 WIRE 8019-01-000 (150)
 TERMINAL 8328-01-000
 CONNECTOR 8313-01-000 (3)
 SCREW-GROUND, GREEN (SUPPLIED W/BOX)
 BUSHING-CONDUIT 132054-01-000



- (14-UL (PUR-2) 10000
 (181) 10000
 (4-CA (BRN-2) 10000
 (265) 10000

- (BLK, BLU) 1900 DROP TO INVERTER BREAKER PANEL
 (YEL, YEL, 2, GLD) 1500 DROP TO LOAD CENTER
 (10 GA) 1900 DROP TO INVERTER BREAKER PANEL
 1500 DROP TO LOAD CENTER (4-3 W/DIESEL GEN OR 6-3 W/LP GEN RED, GRN, 10GA FROM INVERTER)
 (WHT) 1000 DROP TO WATER HTR RELAY
 (PUR) 1900 DROP TO INVERTER (181)
 (BRN) 2900 DROP TO INVERTER (265)
 (FL ORG) 1900 DROP TO INVERTER BREAKER PANEL (265)
 (BRN) (ORG) (265) 650 DROP TO 4 X 4 BOX



- (12-UL (WHT) (181)
 9700
 (12-CA (WHT) (265)
 9700

- (670) GEN-7.5KW-ONAN-QUIET DIESEL
 (39R) GEN-6.5KW-ONAN-LP-MARQUIIS
 (78J) ELECTRICAL SYSTEM-50 AMP
 (265) CODES/STANDARDS-CSA/CMVSS
 (181) CODES/STANDARDS USA

- (181) (265) (78J)

6. SEE EXT ENT CTR COMPLETE FOR ADDITIONAL INFORMATION.
 5. SEE GENERATOR INSTALLATION FOR ADDITIONAL INFORMATION.
 4. SEE WIRING DIAGRAM-BODY FOR ADDITIONAL INFORMATION.
 3. ALL GROUND WIRES ARE TO BE COVERED WITH TUBING 8041-02-000.
 2. ALL WIRES ARE TO BE CLAMPED WITH CLAMP 10497-05-000 WITHIN 200 OF OUTLET BOXES AND SPLICES, USE SCREW G67-10-12B OR G39-10-12B.
 1. ALL WIRE TO BE CLAMPED WITH CLAMP 10495-01-000 OR CLIP 80734-02-000 EVERY 600, USE SCREW G67-10-12B UNLESS OTHERWISE SPECIFIED.

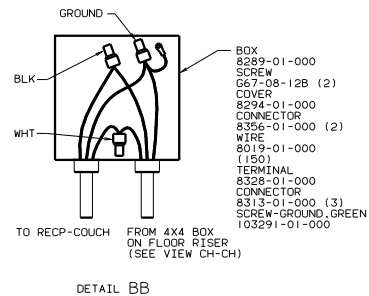
FOR ELECTRICAL TORQUE SPECIFICATIONS SEE DWG NO. 128783-01-000

FOR ELECTRICAL CALLOUTS SEE DWG NO. 121339-01-000

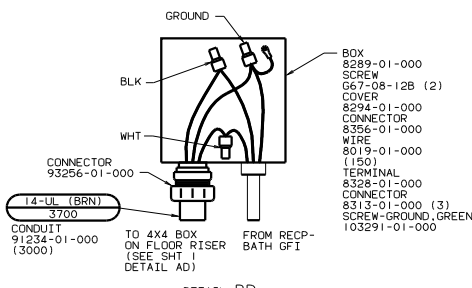
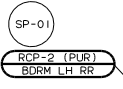
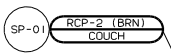
WINNEBAGO 00 G36C

DATE	UNDESIGNED TOLERANCES ARE:	MATERIAL
DATE	WHOLE DIM (1)	
DATE	ONE-PLACE (16, 21)	
DATE	TWO-PLACE (16, 21)	
DATE	ANGLE	
DATE	ROUND WHOLE DIMENSION	
DATE	DATE	

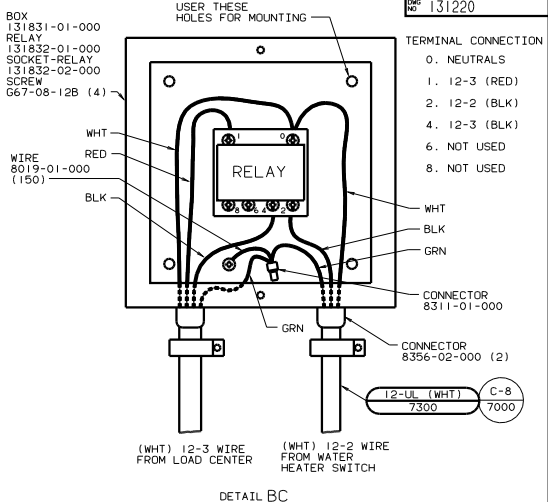
WIRING INSTL - BODY (110 BF)
 SHEET 1 OF 10
 131220



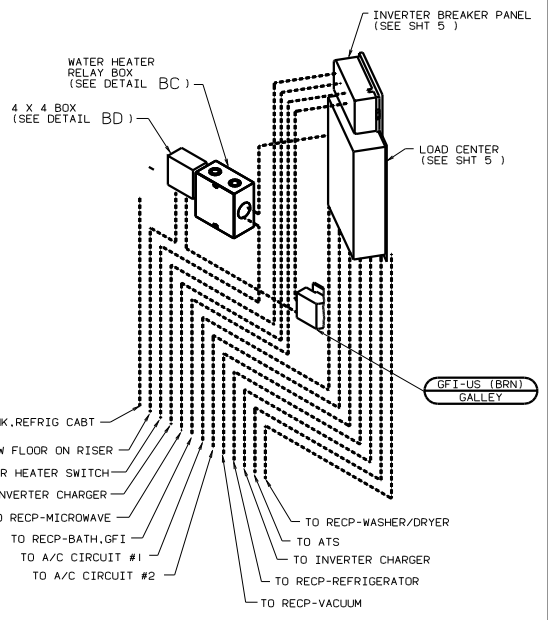
DETAIL BB



DETAIL BD



DETAIL BC



VIEW BA

- ⑦ WIRE ROUTED THRU FLOOR.
- ⑧ WIRE ROUTED THRU SIDEWALL.
- ⑨ WIRE IN SIDEWALL.
- ⑩ WIRE ROUTED BELOW FLOOR. CLAMP TO FLOOR AS NECESSARY WITH CLAMP 10497-01-000 OR WIRE TIE 8343-02-000 CLAMPS OR WIRE TIES TO BE LOCATED ABOVE STORAGE AREAS EVERY 500 MM.

- 3. ALL WIRES ARE TO BE CLAMPED WITH CLAMP 10495 WITHIN 200 OF OUTLET BOXES, USE SCREW G67-10-12B.
- 2. ALL WIRE ROUTED BELOW FLOOR TO BE CLAMPED WITH CLAMP 10497 AND SCREW G39-08-10 OR TIED WITH WIRE TIE 8343 FIRMLY AGAINST UPPER FLOOR SUPPORT AS REQUIRED AT LEAST EVERY 700MM OR AS OTHERWISE SPECIFIED.
- 1. ALL WIRE ROUTED ABOVE FLOOR TO BE CLAMPED WITH CLAMP 10495 AND SCREW G67-10-12B OR TIED WITH WIRE TIE 8343 AS REQUIRED AT LEAST EVERY 700MM OR AS OTHERWISE SPECIFIED.

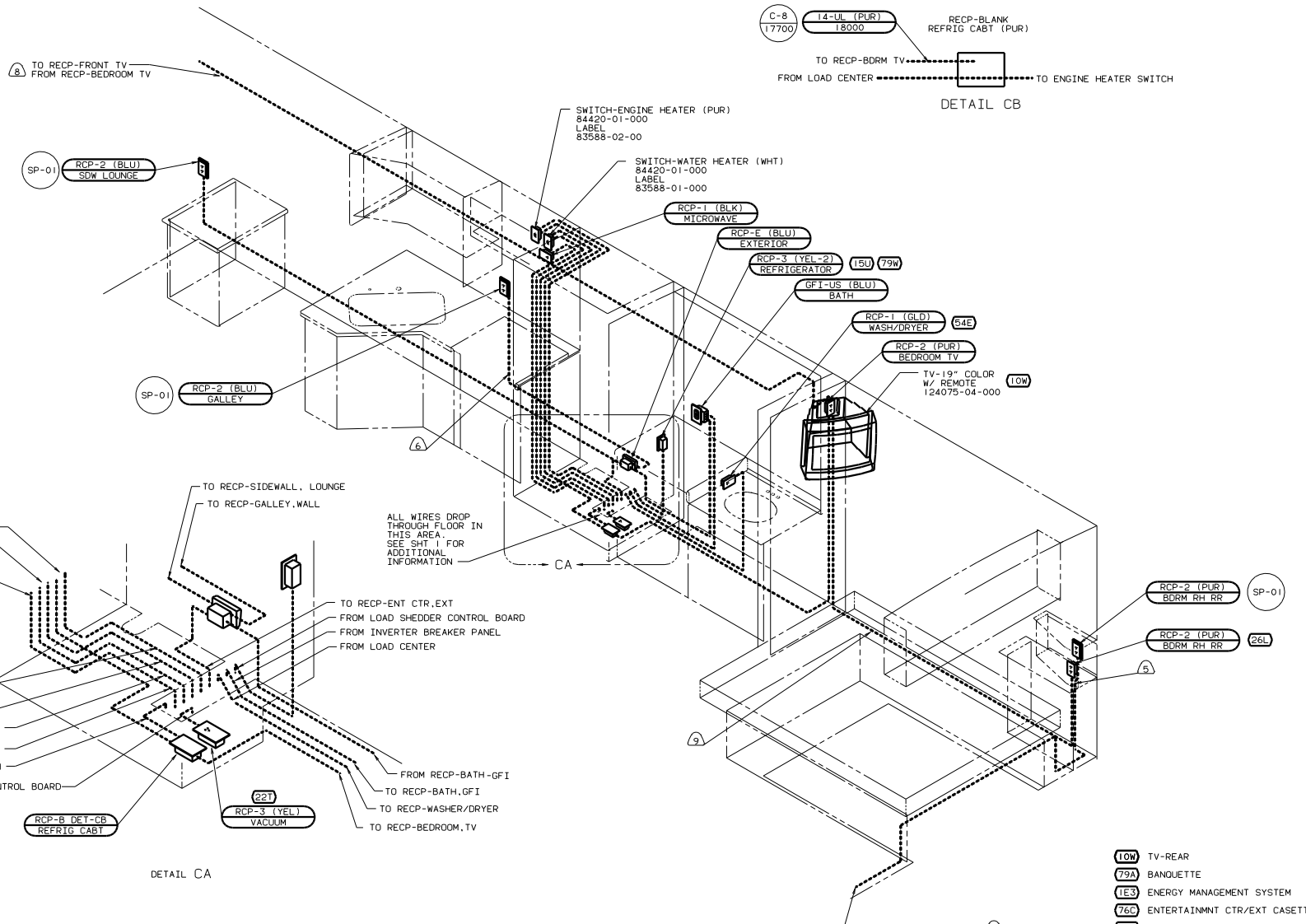
NOTES:

FOR ELECTRICAL TORQUE SPECIFICATIONS SEE DWG NO. 128783-01-000

FOR ELECTRICAL CALLOUTS SEE DWG NO. 121339-01-000

- ⑩2 SLIDEOUT ROOM-REAR LEFTHAND
- ⑦8J ELECTRICAL SYSTEM-50 AMP
- ④9X BED-QUEEN - BACKWALL
- ⑩E3 ENERGY MANAGEMENT SYSTEM
- ⑩B1 CODES/STANDARDS USA
- ⑩9L SLIDEOUT ROOM FRONT LEFT
- 00 Q36C ⑩B1 ⑦8J ⑩E3

WIRING INSTL BODY (110150US)
 1/2" = 1'-0" (1:24)
 SHEET 2 OF 10
 131220



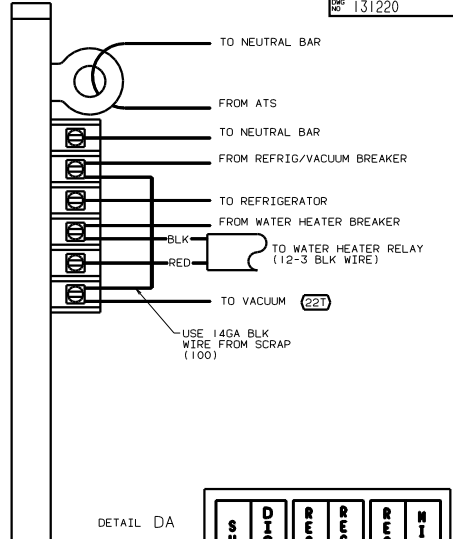
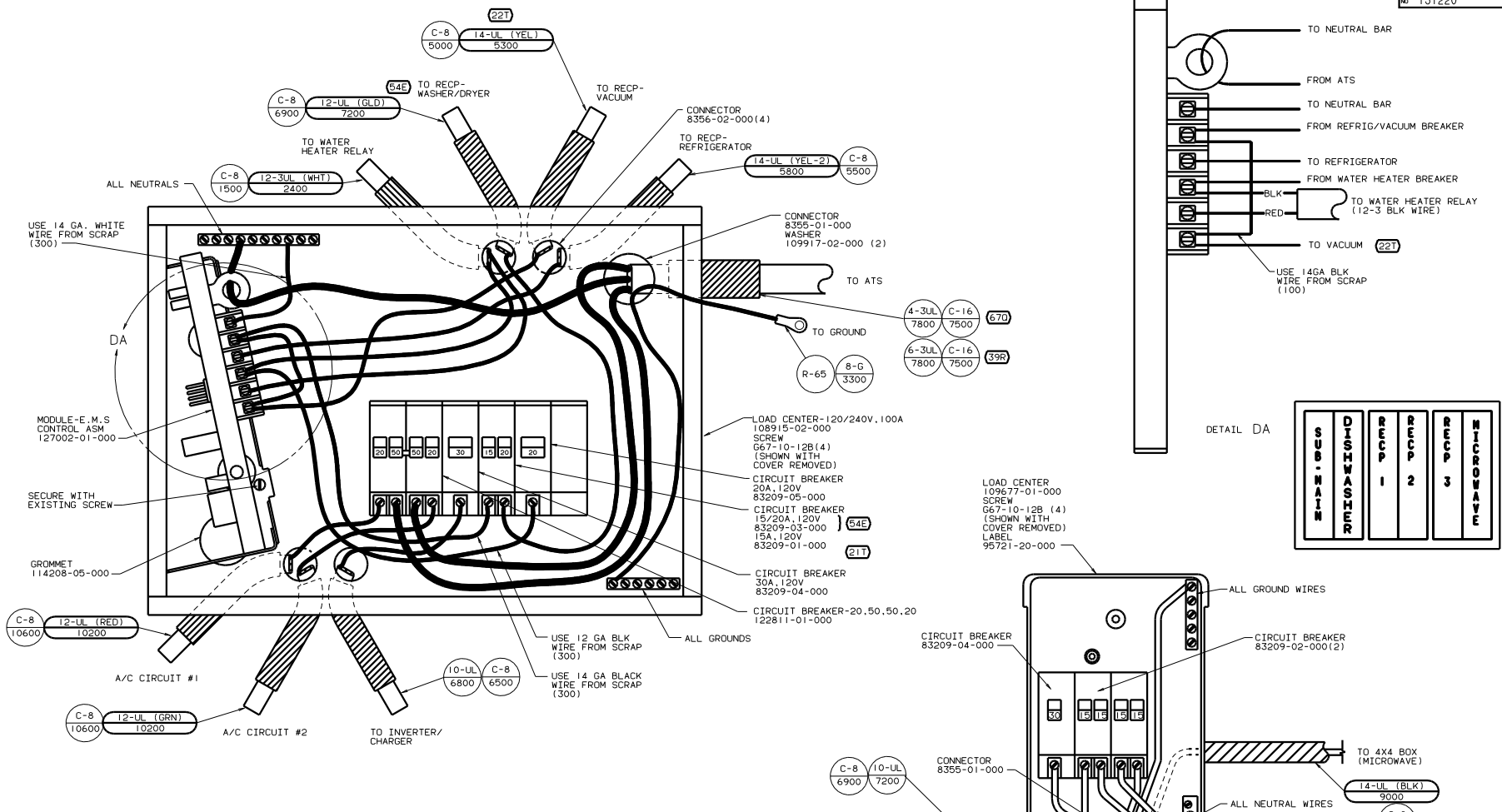
- 9. ROUTE WIRE THRU FLOOR.
 - 8. WIRE ROUTED IN ROOF.
 - 7. WIRE ROUTED BELOW FLOOR. CLAMP TO FLOOR AS NECESSARY WITH CLAMP 10497-01-000 OR WIRE TIE 8343-02-000. CLAMPS OR WIRE TIES TO BE LOCATED ABOVE STORAGE AREAS EVERY 500 MM.
 - 6. WIRE ROUTED IN SIDEWALL.
 - 5. WIRE IN SIDEWALL.
4. SEE WIRING DIAGRAM-BODY.110V FOR ADDITIONAL INFORMATION.
 3. ALL GROUND WIRES ARE TO BE COVERED WITH TUBING 8041-02-000.
 2. ALL WIRES ARE TO BE CLAMPED WITH CLAMP 10497-05-000 WITHIN 200 OF OUTLET BOXES AND SPLICES. USE SCREW G67-10-12B OR G39-10-12B.
 1. ALL WIRE TO BE CLAMPED WITH CLAMP 10495-01-000 OR CLIP 80734-02-000 EVERY 600. USE SCREW G67-10-12B UNLESS OTHERWISE SPECIFIED.

- 10W TV-REAR
- 79A BANQUETTE
- 1E3 ENERGY MANAGEMENT SYSTEM
- 76C ENTERTAINMENT CTR/EXT CASSETTE
- 1D5 ENTERTAINMENT CTR/EXT W/CD
- 79W REFRIGERATOR-4 DOOR
- 78J ELECTRICAL SYSTEM-50 AMP
- 64E WASHER/DRYER
- 49X BED-QUEEN - BACKWALL
- 26L REAR STEREO SYSTEM W/CASSETTE
- 22V VACUUM SYSTEM-CENTRAL
- 15U REFRIGERATOR/FRZR W/ICE MAKER
- 1B1 CODES/STANDARDS USA

FOR ELECTRICAL TORQUE SPECIFICATIONS SEE DWG NO. 126783-01-000

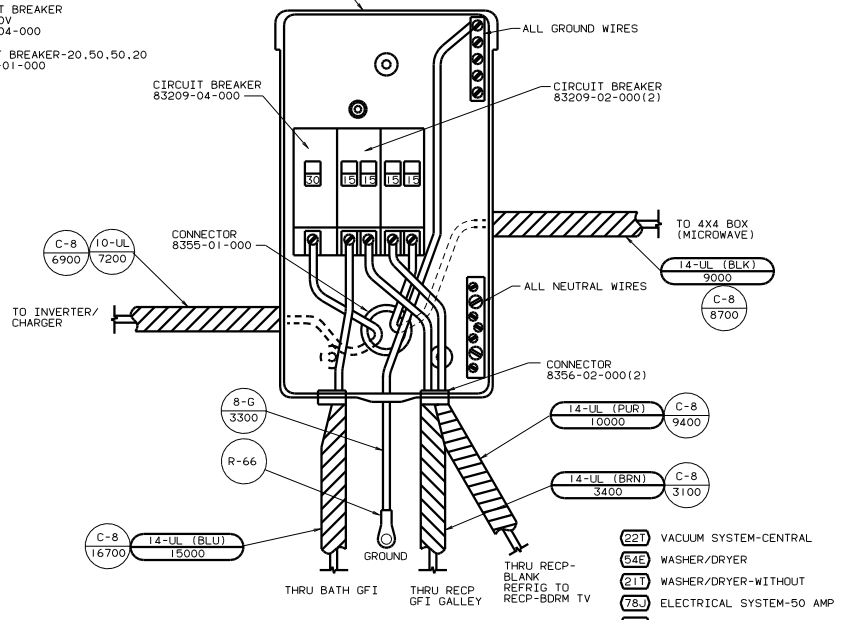
FOR ELECTRICAL CALLOUTS SEE DWG NO. 121339-01-000

00 Q36C (1B1) (78J) (1E3)
 WIRING INSTL-BODY (110R50US)
 SHEET 3 OF 10 131220



DISHWASHER	RECP 1	RECP 2	RECP 3	MICROWAVE
------------	--------	--------	--------	-----------

A/C CIRCUIT #1	WATER HEATER
A/C CIRCUIT #2	WASHER/DRYER
WATER HEATER	REFRIG/VACUUM
WASHER/DRYER	CHARGER
INVERTER/CHARGER	A/C CIRCUIT #1
A/C CIRCUIT #2	WATER HEATER
WATER HEATER	WASHER/DRYER
REFRIG/VACUUM	CHARGER
CHARGER	INVERTER/CHARGER
INVERTER/CHARGER	A/C CIRCUIT #1
A/C CIRCUIT #1	WATER HEATER



INSTALL LABEL ON FRONT PANEL BELOW BREAKERS BETWEEN MOUNTING HOLES
 LABEL 95721-22-000

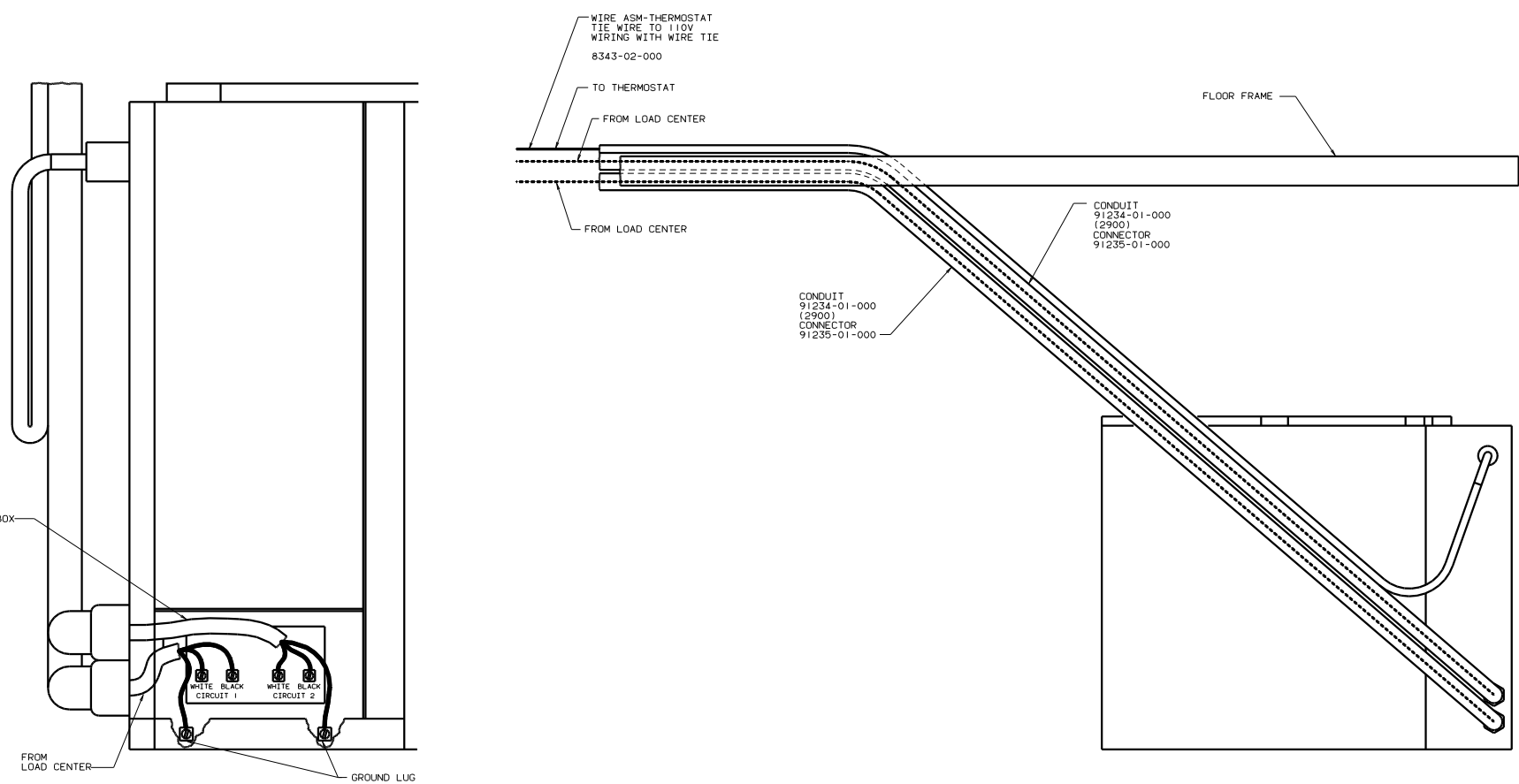
FOR ELECTRICAL TORQUE SPECIFICATIONS SEE DWG NO. 128783-01-000

FOR ELECTRICAL CALLOUTS SEE DWG NO. 121339-01-000

- (22T) VACUUM SYSTEM-CENTRAL
- (54E) WASHER/DRYER
- (21T) WASHER/DRYER-WITHOUT
- (78J) ELECTRICAL SYSTEM-50 AMP
- (67D) GEN-7.5KW-ONAN-QUIET DIESEL
- (39R) GEN-6.5KW-ONAN-LP-MARQUIS
- (1B1) CODES/STANDARDS USA

00 Q36C (1B1) (78J)
 WIRING INSTL-BODY (50 LC US)
 SHEET 4 OF 10

2. WIRE MUST BE 600 LONG INSIDE BOX.
 1. ALL GROUND WIRES TO BE COVERED WITH TUBING 8041-02-000.



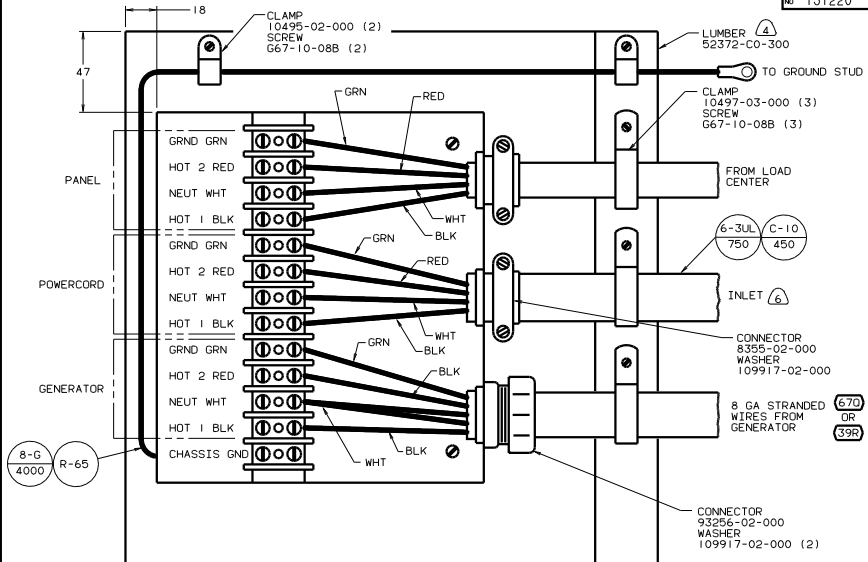
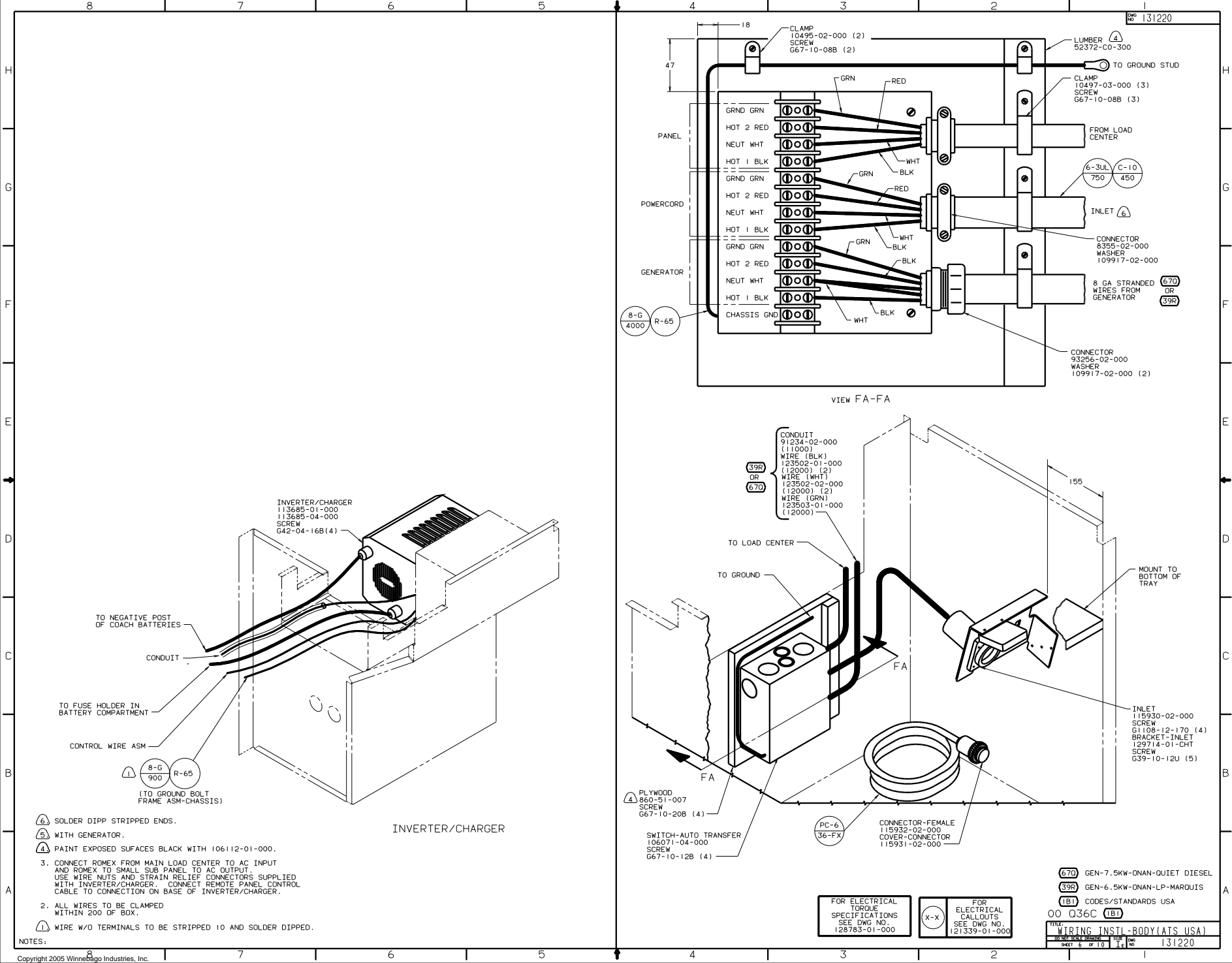
VIEW EA-EA

(265) CODES/STANDARDS-CSA/CMVSS
 (1B1) CODES/STANDARDS USA

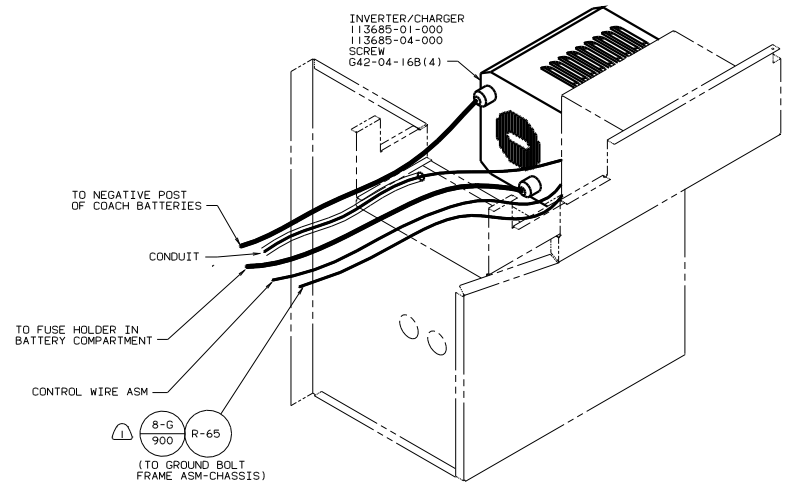
00 Q36C (1B1) (265)

FOR ELECTRICAL TORQUE SPECIFICATIONS SEE DWG NO. 128783-01-000	(X-X)	FOR ELECTRICAL CALLOUTS SEE DWG NO. 121339-01-000
--	-------	---

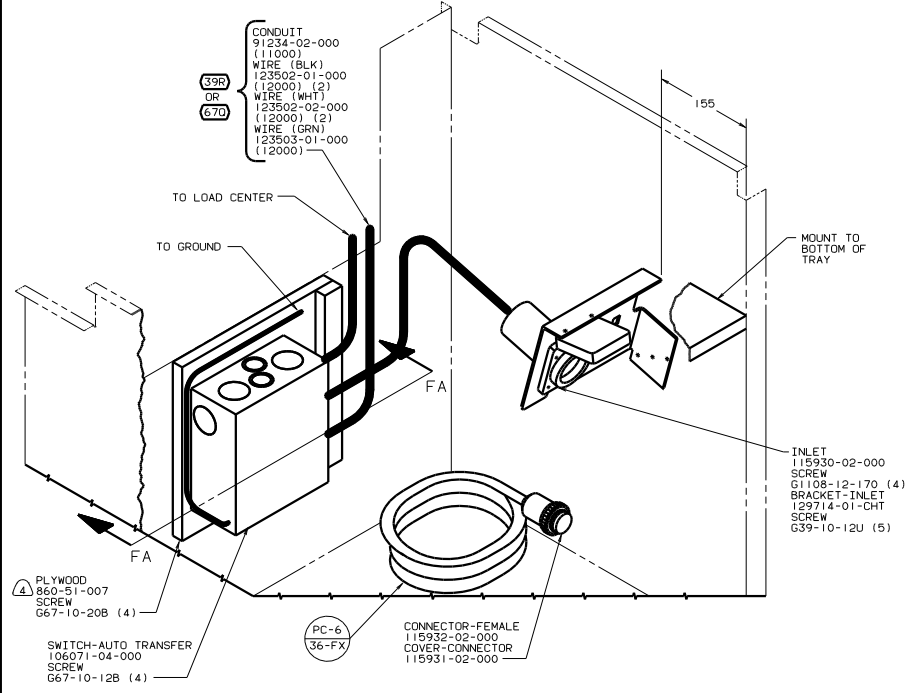
TITLE: WIRING INSTL-BODY(CNTRL A/C)	
DRW'G NO 131220	REV NO 1
SHEET 5 OF 10	131220



VIEW FA-FA



INVERTER/CHARGER



- NOTES:
- Ⓜ SOLDER DIPP STRIPPED ENDS.
 - Ⓜ WITH GENERATOR.
 - Ⓜ PAINT EXPOSED SURFACES BLACK WITH 106112-01-000.
 3. CONNECT ROMEX FROM MAIN LOAD CENTER TO AC INPUT AND ROMEX TO SMALL SUB PANEL TO AC OUTPUT. USE WIRE NUTS AND STRAIN RELIEF CONNECTORS SUPPLIED WITH INVERTER/CHARGER. CONNECT REMOTE PANEL CONTROL CABLE TO CONNECTION ON BASE OF INVERTER/CHARGER.
 2. ALL WIRES TO BE CLAMPED WITHIN 200 OF BOX.
 - Ⓜ WIRE W/O TERMINALS TO BE STRIPPED 10 AND SOLDER DIPPED.

FOR ELECTRICAL TORQUE SPECIFICATIONS SEE DWG NO 128783-01-000

(X-X)

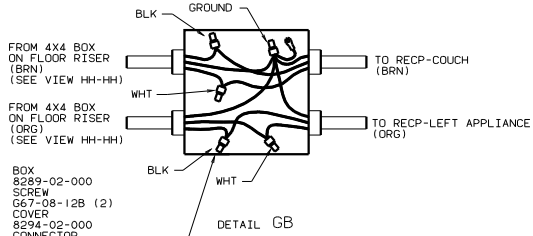
FOR ELECTRICAL CALLOUTS SEE DWG NO 121339-01-000

Ⓜ GEN-7.5KW-ONAN-QUIET DIESEL

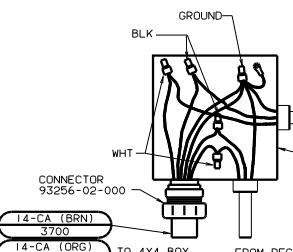
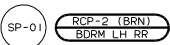
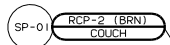
Ⓜ GEN-6.5KW-ONAN-LP-MARQUIS

Ⓜ CODES/STANDARDS USA

00 Q36C Ⓜ

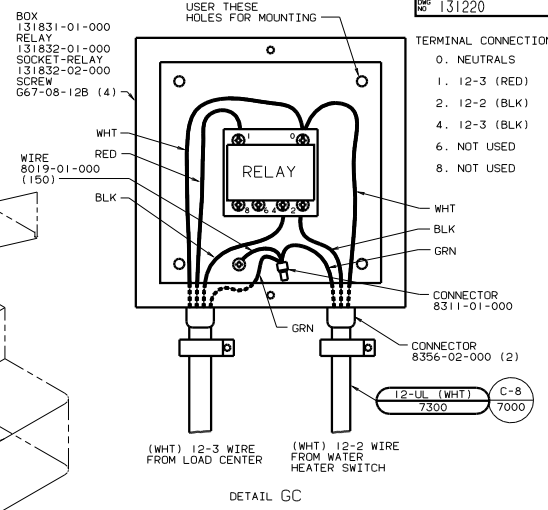
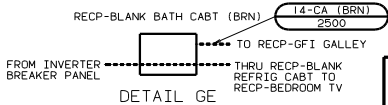


- BOX 8289-02-000
- SCREW 667-08-12B (2)
- COVER 8294-02-000
- CONNECTOR 8356-01-000 (4)
- WIRE 8019-01-000 (150)
- TERMINAL 8328-01-000
- CONNECTOR 8313-01-000 (4)
- CONNECTOR 8311-01-000
- SCREW-GROUND, GREEN 103291-01-000



- CONNECTOR 93256-02-000
- 14-CA (BRN) 3700
- 14-CA (ORG) 3700
- CONDUIT 91234-02-000 (3000)

- BOX 8289-02-000
- SCREW 667-08-12B (2)
- COVER 8294-02-000
- CONNECTOR 8356-01-000 (2)
- WIRE 8019-01-000 (150)
- TERMINAL 8328-01-000
- CONNECTOR 8313-01-000 (2)
- CONNECTOR 8311-01-000
- SCREW-GROUND, GREEN 103291-01-000



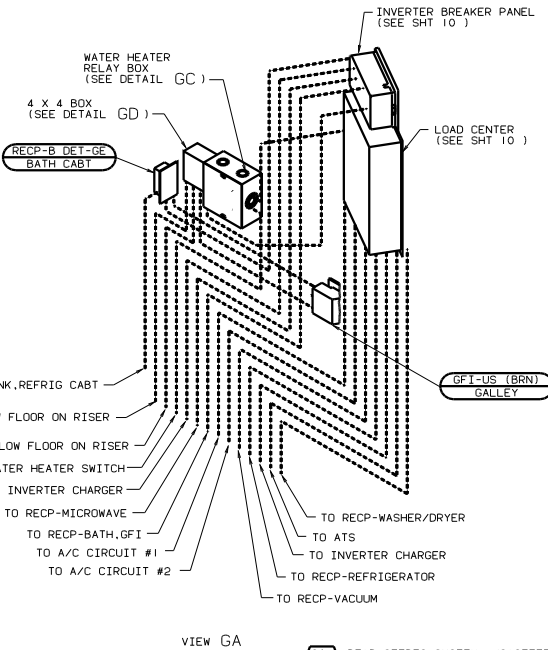
- WIRE 8019-01-000 (150)

- BOX 131831-01-000
- RELAY 131832-01-000
- SOCKET-RELAY 131832-02-000
- SCREW 667-08-12B (4)

- TERMINAL CONNECTION
- 0. NEUTRALS
- 1. 12-3 (RED)
- 2. 12-2 (BLK)
- 4. 12-3 (BLK)
- 6. NOT USED
- 8. NOT USED

- CONNECTOR 8311-01-000
- CONNECTOR 8356-02-000 (2)
- 12-UL (WHT) 7300
- C-8 7000

ROUTES BELOW FLOOR
SEE SHT 1 FOR
ADDITIONAL INFORMATION



- RECP-B DET-GE BATH CABT

- TO RECP-BLANK, REFRIG CABT
- TO 4X4 BOX BELOW FLOOR ON RISER
- TO 4X4 BOX BELOW FLOOR ON RISER
- TO WATER HEATER SWITCH
- TO INVERTER CHARGER
- TO RECP-MICROWAVE
- TO RECP-BATH, GFI
- TO A/C CIRCUIT #1
- TO A/C CIRCUIT #2
- TO RECP-WASHER/DRYER
- TO ATS
- TO INVERTER CHARGER
- TO RECP-REFRIGERATOR
- TO RECP-VACUUM

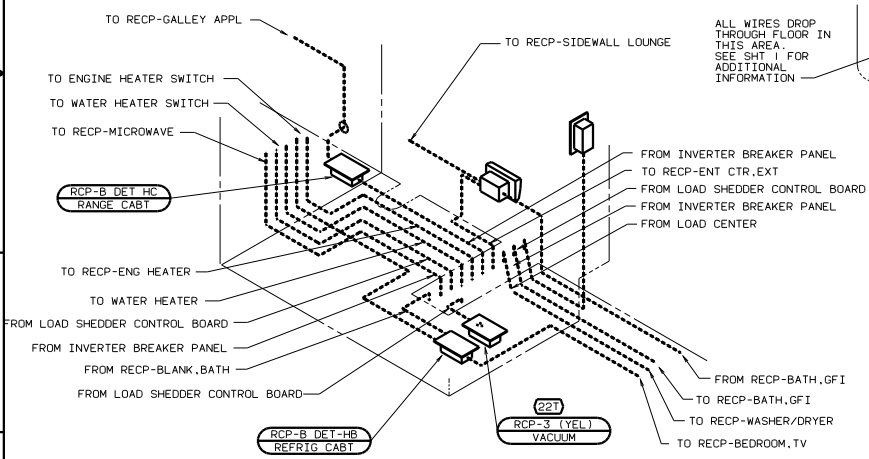
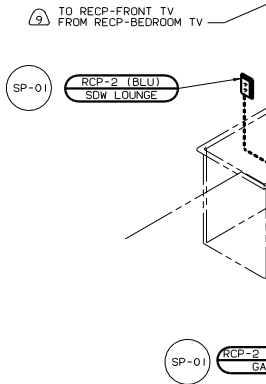
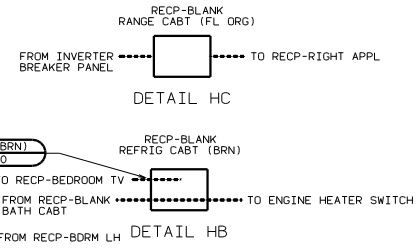
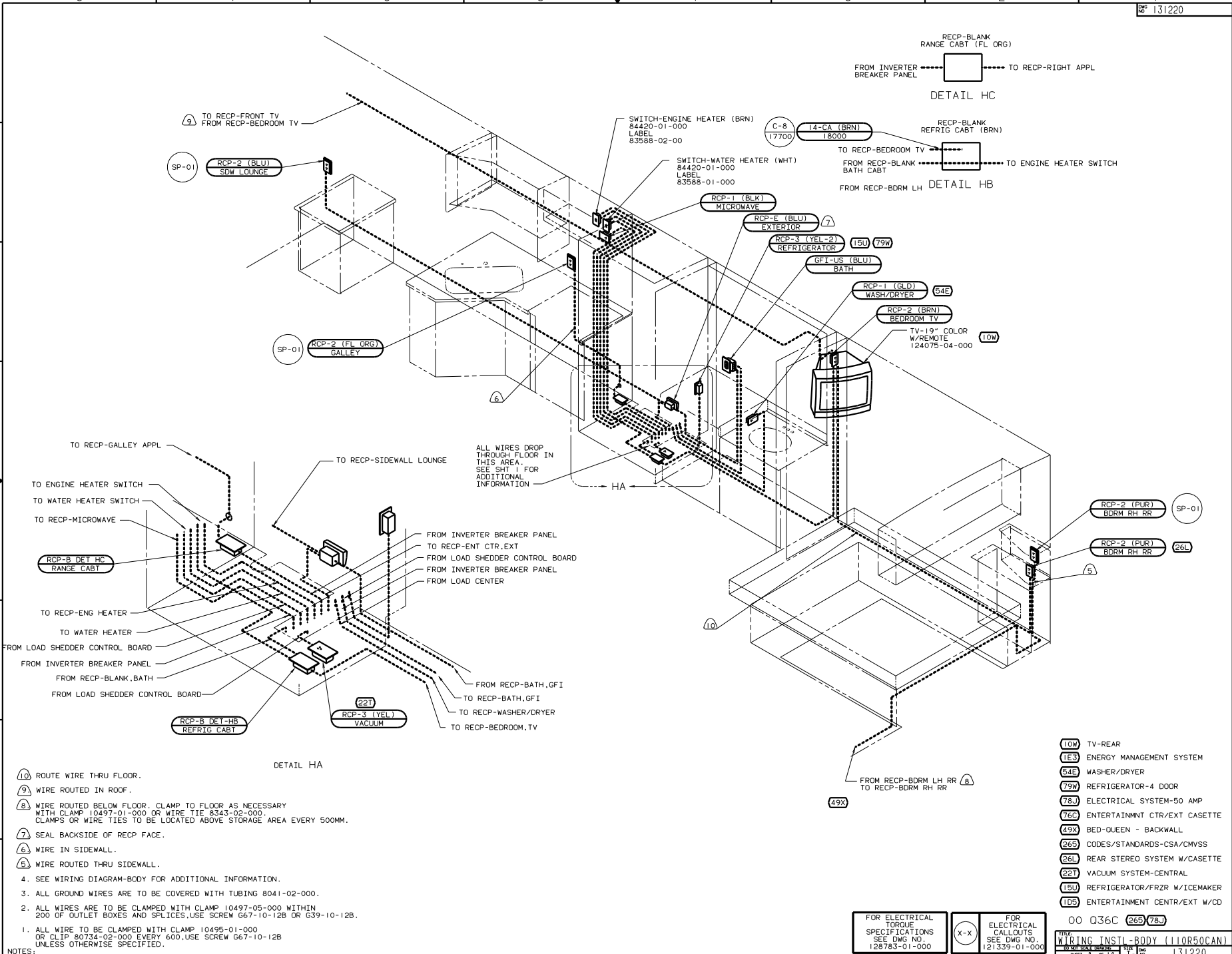
- 26L REAR STEREO SYSTEM W/CASSETTE
- 102 SLIDEOUT ROOM-REAR LETHAND
- 78J ELECTRICAL SYSTEM-50 AMP
- 49X BED-QUEEN - BACKWALL
- 265 CODES/STANDARDS-CSA/CMVSS
- 1E3 ENERGY MANAGEMENT SYSTEM
- 09L SLIDEOUT ROOM FRONT LEFT

00 Q36C 265 78J 1E3
WIRING INSTL-BODY (110150CAN)
131220

FOR ELECTRICAL TORQUE SPECIFICATIONS SEE DWG NO. 128783-01-000

FOR ELECTRICAL CALLOUTS SEE DWG NO. 121339-01-000

- 7 WIRE ROUTED THRU SIDEWALL.
- 6 WIRE IN SIDEWALL
- 5 WIRE ROUTED BELOW FLOOR. CLAMP TO FLOOR AS NECESSARY WITH CLAMP 104497-01-000 OR WIRE TIE 8343-02-000. TO BE LOCATED ABOVE STORAGE AREAS EVERY 500 MM.
- 4. SEE WIRING DIAGRAM-BODY FOR ADDITIONAL INFORMATION.
- 3. ALL GROUND WIRES ARE TO BE COVERED WITH TUBING 8041-02-000.
- 2. ALL WIRES ARE TO BE CLAMPED WITH CLAMP 10495-05-000 WITHIN 200 OF OUTLET BOXES AND SPLICES. USE SCREW 667-10-12B, OR 39-10-12B.
- 1. ALL WIRE TO BE CLAMPED WITH CLAMP 10495-01-000 OR CLIP 80734-02-000 EVERY 600. USE SCREW 667-10-12B UNLESS OTHERWISE SPECIFIED.



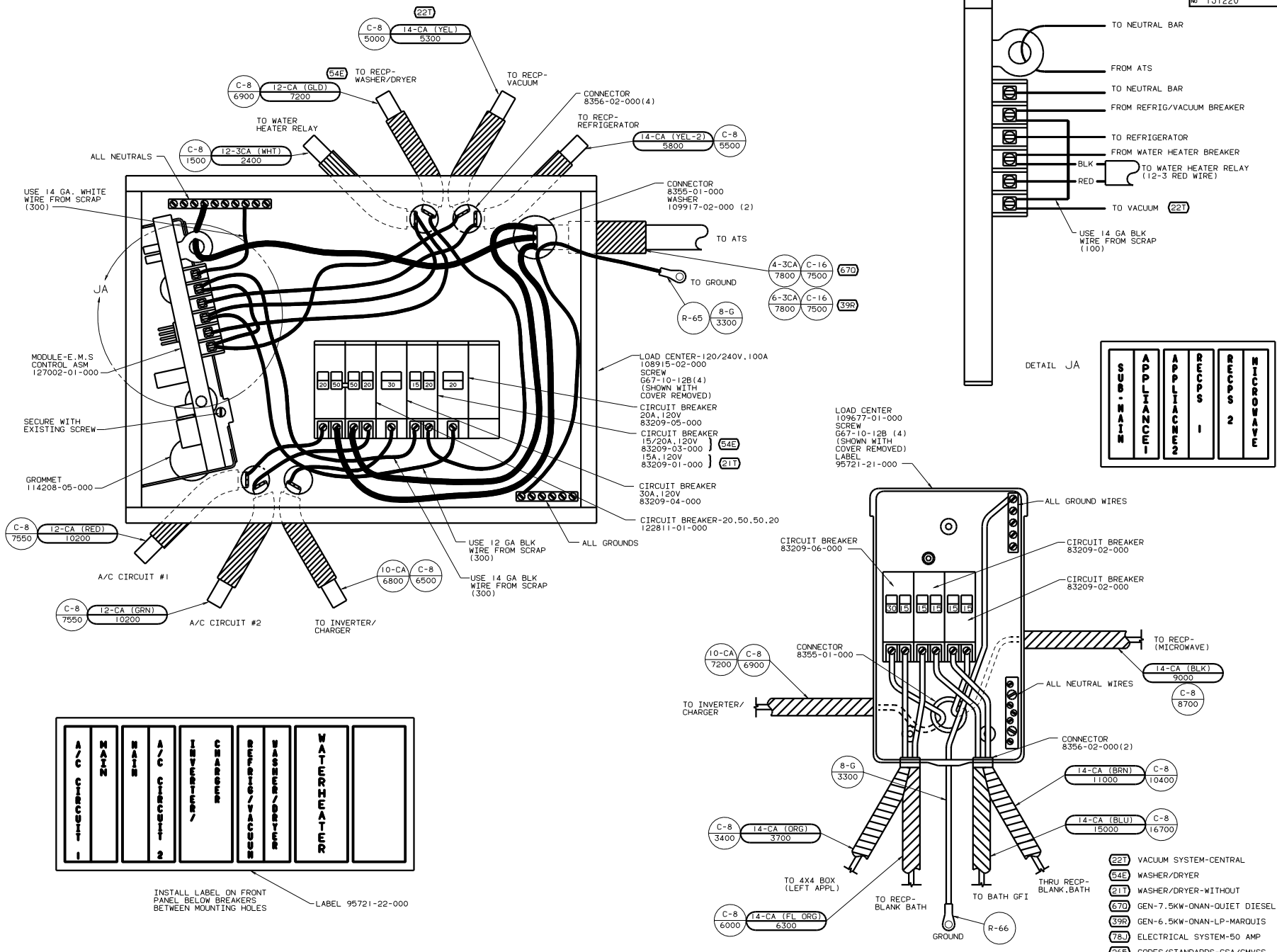
- 10 ROUTE WIRE THRU FLOOR.
 9 WIRE ROUTED IN ROOF.
 8 WIRE ROUTED BELOW FLOOR. CLAMP TO FLOOR AS NECESSARY WITH CLAMP 10497-01-000 OR WIRE TIE 8343-02-000. CLAMPS OR WIRE TIES TO BE LOCATED ABOVE STORAGE AREA EVERY 500MM.
 7 SEAL BACKSIDE OF RECP FACE.
 6 WIRE IN SIDEWALL.
 5 WIRE ROUTED THRU SIDEWALL.
 4. SEE WIRING DIAGRAM-BODY FOR ADDITIONAL INFORMATION.
 3. ALL GROUND WIRES ARE TO BE COVERED WITH TUBING 8041-02-000.
 2. ALL WIRES ARE TO BE CLAMPED WITH CLAMP 10497-05-000 WITHIN 200 OF OUTLET BOXES AND SPLICES. USE SCREW G67-10-12B OR G39-10-12B.
 1. ALL WIRE TO BE CLAMPED WITH CLAMP 10495-01-000 OR CLIP 80734-02-000 EVERY 600. USE SCREW G67-10-12B UNLESS OTHERWISE SPECIFIED.

- 10W TV-REAR
- 1E3 ENERGY MANAGEMENT SYSTEM
- 64E WASHER/DRYER
- 79W REFRIGERATOR-4 DOOR
- 78J ELECTRICAL SYSTEM-50 AMP
- 76C ENTERTAINMNT CTR/EXT CASSETTE
- 49X BED-QUEEN - BACKWALL
- 26S CODES/STANDARDS-CSA/CMVSS
- 26L REAR STEREO SYSTEM W/CASSETTE
- 22T VACUUM SYSTEM-CENTRAL
- 15U REFRIGERATOR/FRZR W/ICEMAKER
- 10S ENTERTAINMENT CENTR/EXT W/CD

FOR ELECTRICAL TORQUE SPECIFICATIONS SEE DWG NO. 128783-01-000

FOR ELECTRICAL CALLOUTS SEE DWG NO. 121339-01-000

00 Q36C (26S) (78J)
 WIRING INSTL-BODY (110R50CAN)
 SHEET 8 OF 10



A/C CIRCUIT #1	WATER HEATER	WASHER/DRYER	REFRIG/VACUUM	CHARGER	INVERTER/CHARGER	A/C CIRCUIT #2	WATER HEATER
----------------	--------------	--------------	---------------	---------	------------------	----------------	--------------

SUB-MAIN	APPLIANCE 1	APPLIANCE 2	RECP 1	RECP 2	MICROWAVE
----------	-------------	-------------	--------	--------	-----------

INSTALL LABEL ON FRONT PANEL BELOW BREAKERS BETWEEN MOUNTING HOLES
 LABEL 95721-22-000

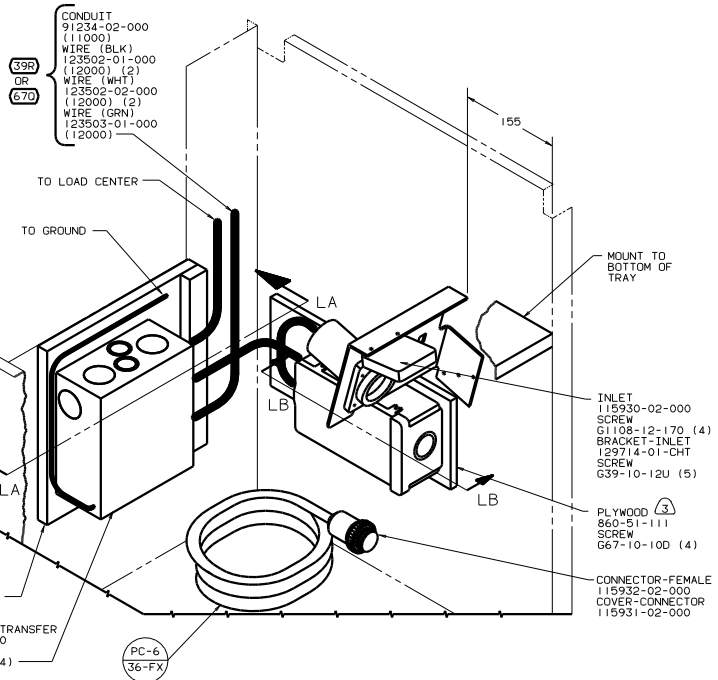
- 2. WIRE MUST BE 700 LONG INSIDE BOX.
- 1. ALL GROUND WIRES TO BE COVERED WITH TUBING 8041-02-000.

FOR ELECTRICAL TORQUE SPECIFICATIONS SEE DWG NO. 128783-01-000

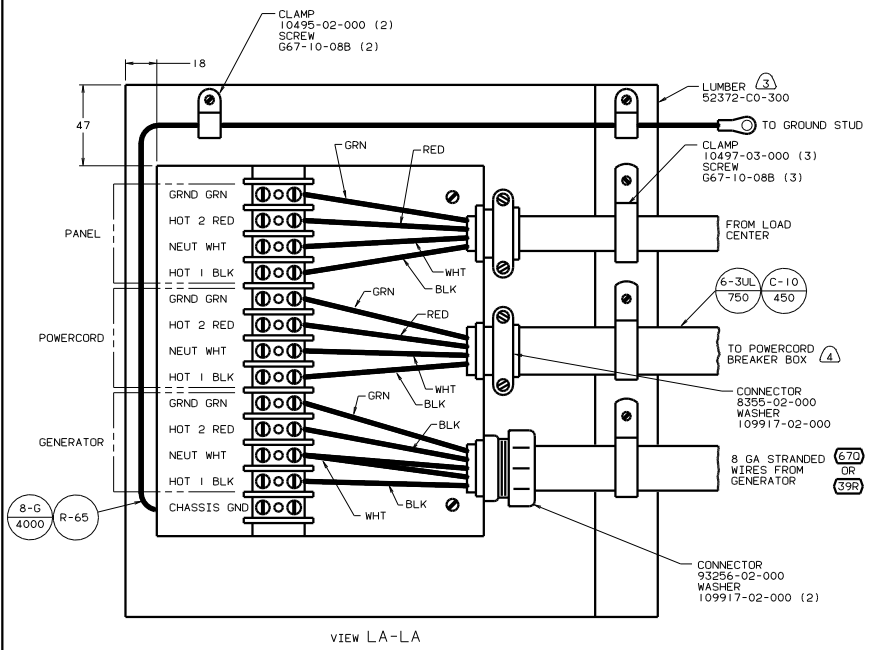
FOR ELECTRICAL CALLOUTS SEE DWG NO. 121339-01-000

- (22T) VACUUM SYSTEM-CENTRAL
- (54E) WASHER/DRYER
- (21T) WASHER/DRYER-WITHOUT
- (67D) GEN-7.5KW-ONAN-QUIET DIESEL
- (39R) GEN-6.5KW-ONAN-LP-MARQUIS
- (78J) ELECTRICAL SYSTEM-50 AMP
- (26S) CODES/STANDARDS-CSA/CMVSS

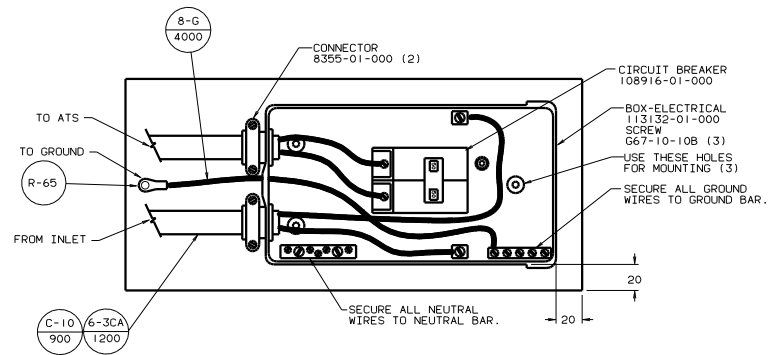
00 Q36C (26S) (78J)



- ④ SOLDER DIPP STRIPPED ENDS.
 ③ PAINT EXPOSED SURFACES BLACK WITH 106112-01-000.
 ② ALL WIRES TO BE CLAMPED WITHIN 200 OF BOX.
 ① WITH GENERATOR.



VIEW LA-LA



VIEW KB-KB (WITH COVER REMOVED)

- ⑦⑧ ELECTRICAL SYSTEM-50 AMP
 ⑥⑦ GEN-7.5KW-ONAN-QUIET DIESEL
 ③⑨ GEN-6.5KW-ONAN-LP-MARQUIS
 ②⑤ CODES/STANDARDS-CSA/CMVSS

FOR ELECTRICAL TORQUE SPECIFICATIONS SEE DWG NO. 128783-01-000	(X-X)	FOR ELECTRICAL CALLOUTS SEE DWG NO. 121339-01-000
--	-------	---

TITLE: WIRING INSTL - BODY (ATS)	131220
SHEET 10 OF 10	1