



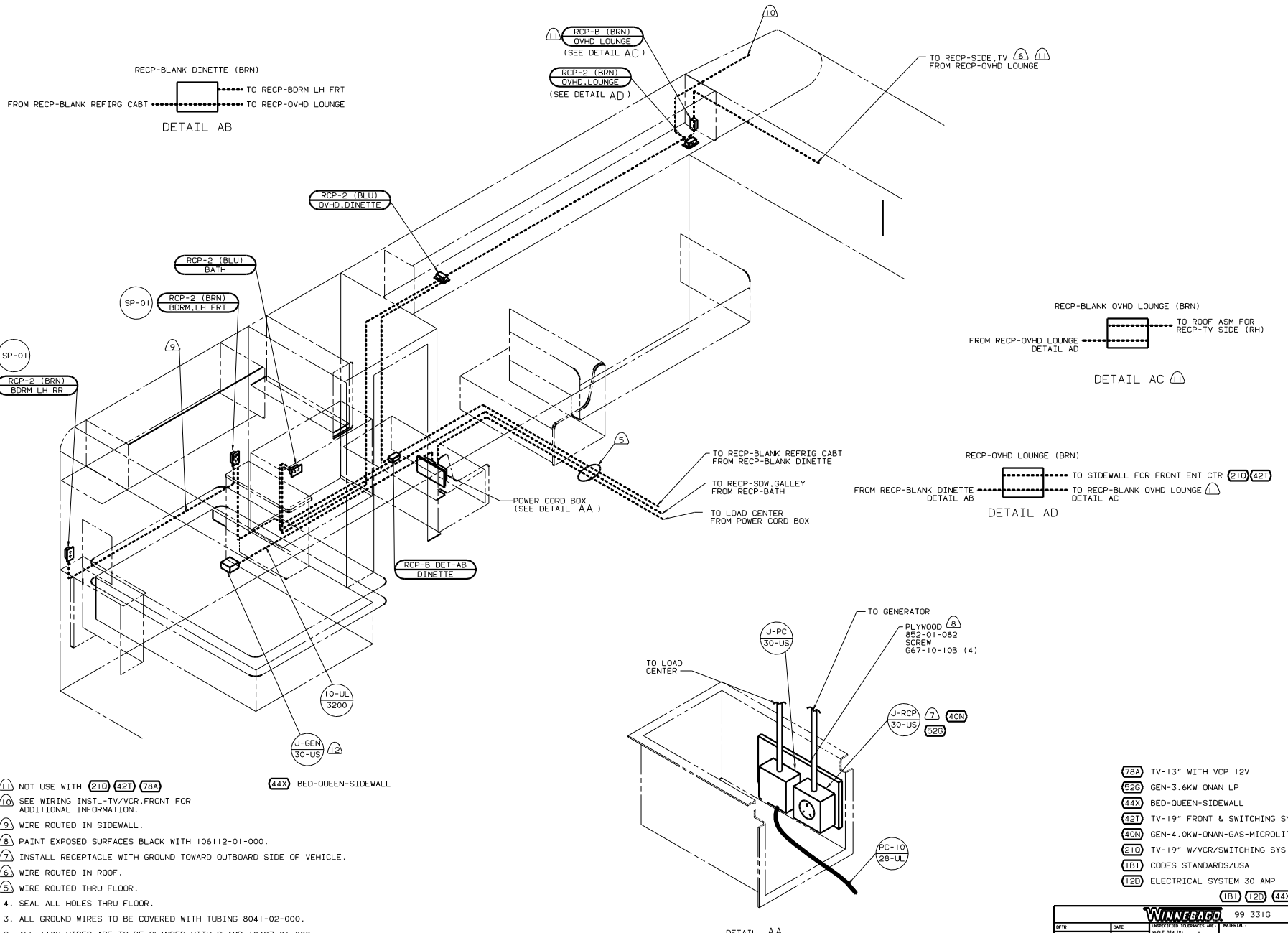
DANGER

Danger of electrical shock, burns or death. Always remove all power sources before attempting any repair, service or diagnostic work. Power can be present from shore power, generator, inverter or battery. All power sources must be disabled and secured before performing any service.



CAUTION

If you lack the skills, tools or equipment to perform diagnostic or repair work leave such work to an authorized Winnebago Industries dealer or other qualified shop.



- (11) NOT USE WITH (210) (42T) (78A)
 - (10) SEE WIRING INSTL-TV/VCR, FRONT FOR ADDITIONAL INFORMATION.
 - (9) WIRE ROUTED IN SIDEWALL.
 - (8) PAINT EXPOSED SURFACES BLACK WITH 106112-01-000.
 - (7) INSTALL RECEPTACLE WITH GROUND TOWARD OUTBOARD SIDE OF VEHICLE.
 - (6) WIRE ROUTED IN ROOF.
 - (5) WIRE ROUTED THRU FLOOR.
 - 4. SEAL ALL HOLES THRU FLOOR.
 - 3. ALL GROUND WIRES TO BE COVERED WITH TUBING 8041-02-000.
 - 2. ALL 110V WIRES ARE TO BE CLAMPED WITH CLAMP 10497-01-000 WITHIN 200 OF OUTLET BOXES. USE SCREW G67-10-12B.
 - 1. ALL WIRES TO BE CLAMPED WITH CLAMP 10495-01-000 OR CLIP 80734-01-000 EVERY 600. USE SCREW G67-10-12B UNLESS OTHERWISE SPECIFIED.
- NOTES:**

- (78A) TV-13" WITH VCP 12V
- (520) GEN-3.6KW ONAN LP
- (44X) BED-QUEEN-SIDEWALL
- (42T) TV-19" FRONT & SWITCHING SYS
- (40N) GEN-4.0KW-ONAN-GAS-MICROLITE
- (21D) TV-19" W/VCR/SWITCHING SYS
- (1B1) CODES STANDARDS/USA
- (12D) ELECTRICAL SYSTEM 30 AMP

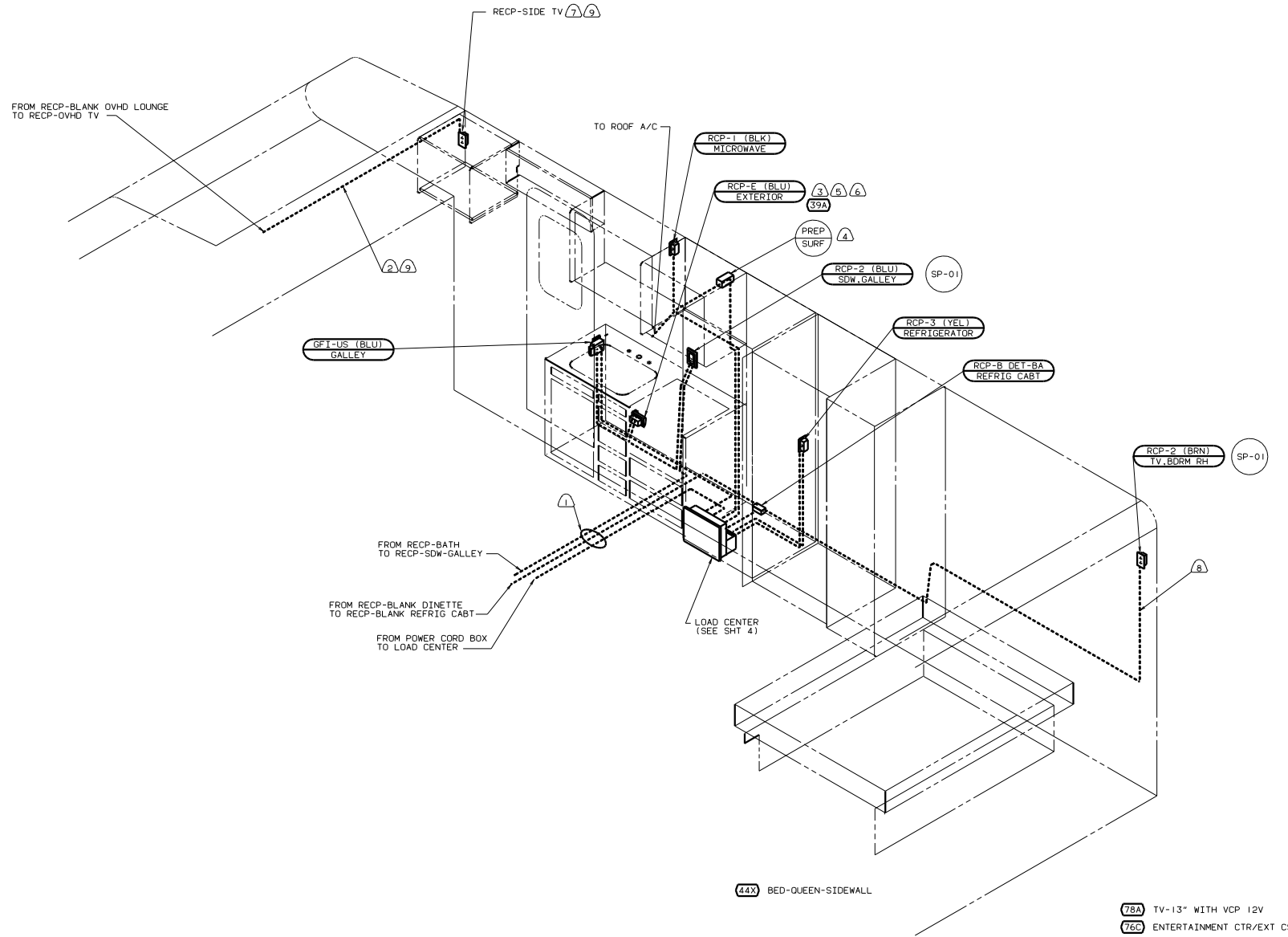
FOR ELECTRICAL TORQUE SPECIFICATIONS SEE DWG NO. 128783-01-000

X-X FOR ELECTRICAL CALLOUTS SEE DWG NO. 121339-01-000

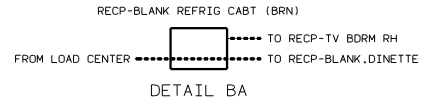
WINNEBAGO 99 331G

DATE	DESCRIPTION	BY	CHKD

WIRING INSTL-BODY (110L30US)
 SHEET 1 OF 13



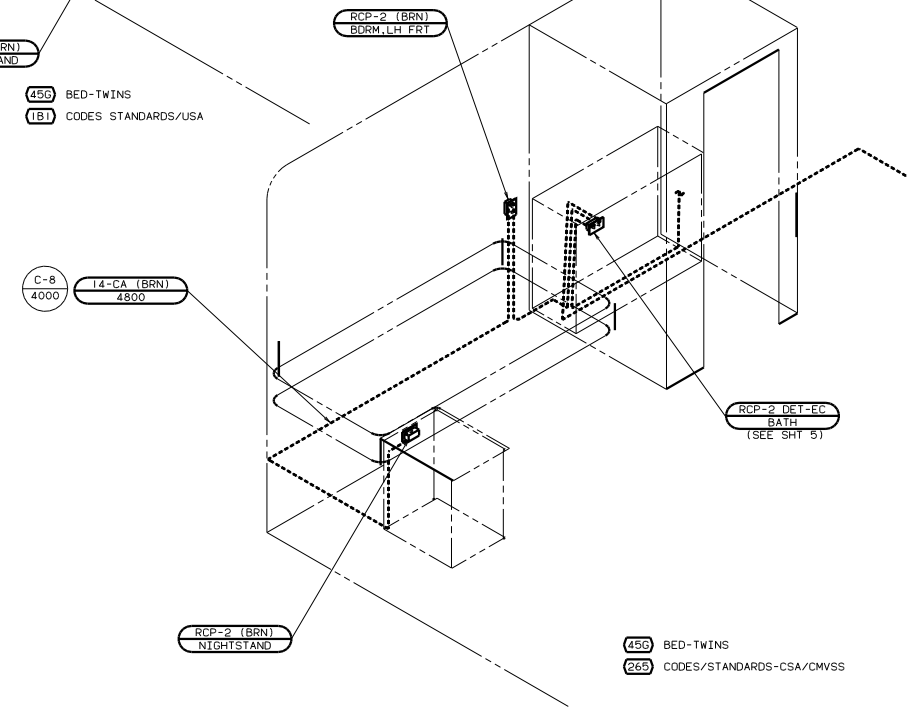
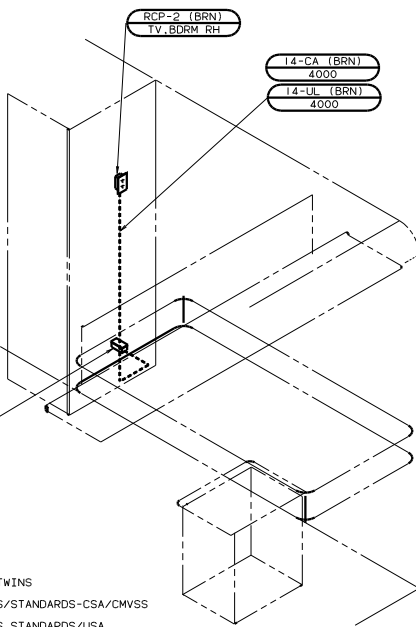
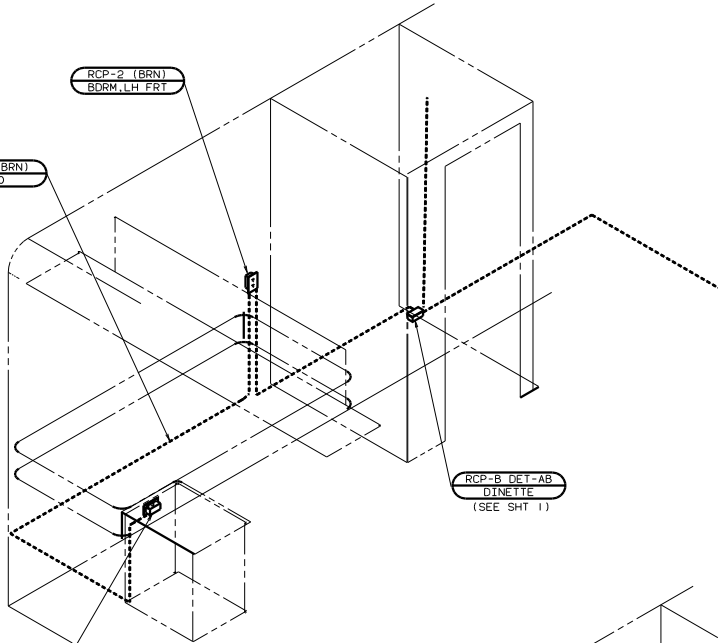
- ⑨ NOT USED WITH ②10 ④21 78A
- ⑧ WIRE ROUTED IN SIDEWALL.
- ⑦ SEE WIRING INSTL-TV/VCR,SIDE FOR ADDITIONAL INFORMATION.
- ⑥ NOT USED WITH 76C
- ⑤ SEE ENT CTR INSTL-EXT FOR ADDITIONAL INFORMATION.
- ④ NOT USED WITH ②50
- ③ SEAL BACK SIDE OF RECP FACE.
- ② WIRE ROUTED IN ROOF.
- ① WIRE ROUTED THRU FLOOR.



- 78A TV-13" WITH VCP 12V
- 76C ENTERTAINMENT CTR/EXT CSETTE
- 44X BED-QUEEN-SIDEWALL
- 421 TV-19" FRONT & SWITCHING SYS
- 39A EXT RECEPTACLE DPLX 120VAC
- 250 A/C ROOF AIR (1) 14,800 BTU
- 210 TV-19" W/VCR/SWITCHING SYS
- 181 CODES STANDARDS/USA
- 120 ELECTRICAL SYSTEM 30 AMP

FOR ELECTRICAL TORQUE SPECIFICATIONS SEE DWG NO. 128783-01-000	X-X	FOR ELECTRICAL CALLOUTS SEE DWG NO. 121339-01-000
--	-----	---

TITLE: WIRING INSTL-BODY(11OR30US)		
NO. OF SHEETS: 13	SHEET NO: 2	DWG NO: 131177



- (45G) BED-TWINS
- (265) CODES/STANDARDS-CSA/CMVSS
- (1B1) CODES STANDARDS/USA

- (45G) BED-TWINS
- (1B1) CODES STANDARDS/USA

- (45G) BED-TWINS
- (265) CODES/STANDARDS-CSA/CMVSS

- (45G) BED-TWINS
- (265) CODES/STANDARDS-CSA/CMVSS
- (1B1) CODES STANDARDS/USA

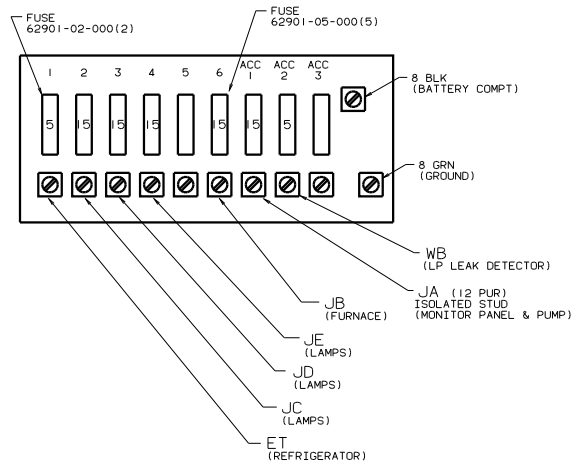
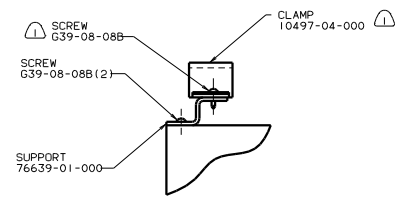
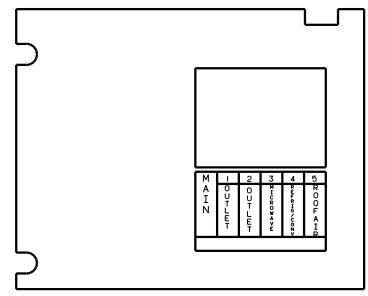
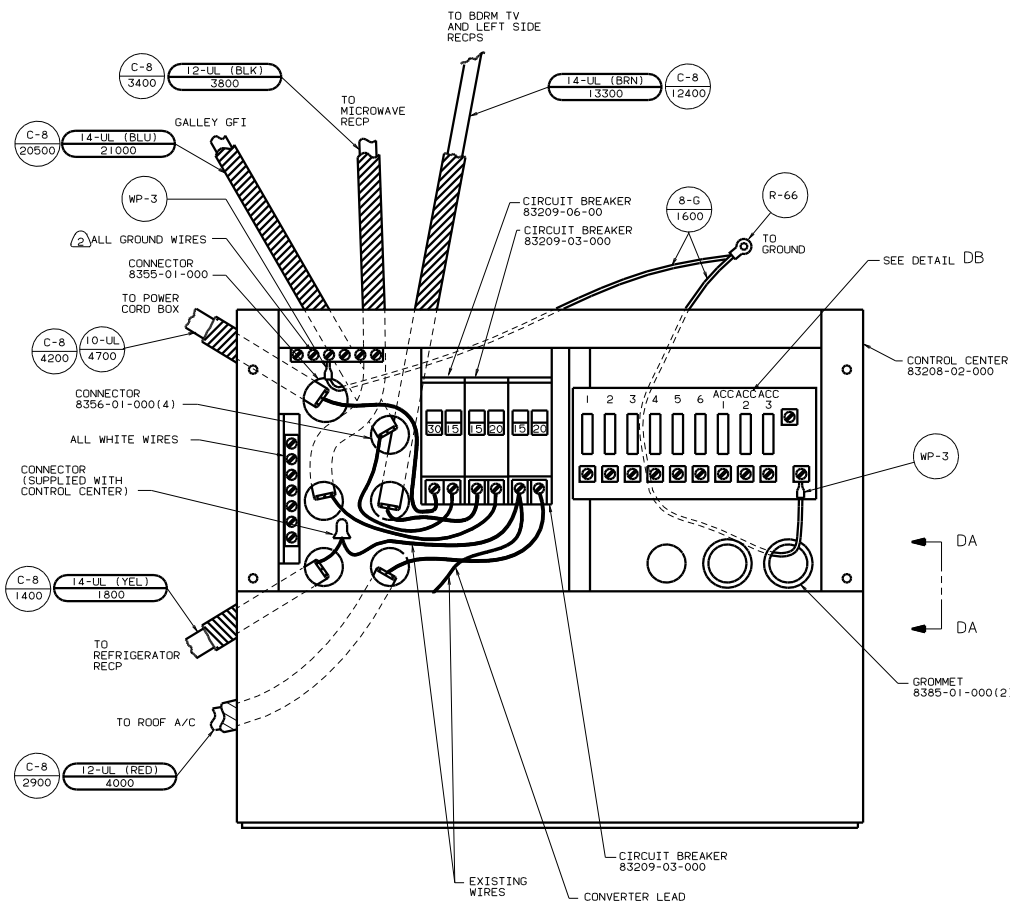
NOTES:
1. SEAL ALL HOLES THRU FLOOR.

FOR ELECTRICAL TORQUE SPECIFICATIONS SEE DWG NO. 128783-01-000

FOR ELECTRICAL CALLOUTS SEE DWG NO. 121339-01-000



99 331G (1B1) (265) (45G)	
FILE	WIRING INSTL-BODY (110R30US)
DWG NO.	131177
SHEET	3 OF 13



- 2) ALL GROUND WIRES TO BE COVERED WITH TUBING 8041-02-000.
- 1) FASTEN ALL WIRES TO SUPPORT. USE ONE SCREW PER CLAMP.

FOR ELECTRICAL TORQUE SPECIFICATIONS SEE DWG NO. 128783-01-000

FOR ELECTRICAL CALLOUTS SEE DWG NO. 121339-01-000

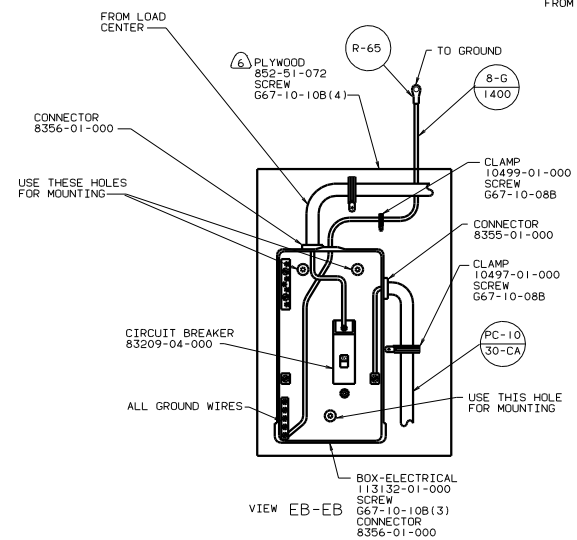
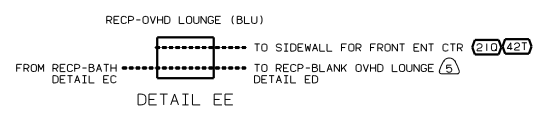
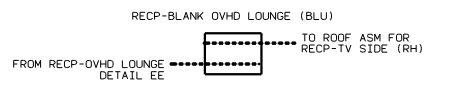
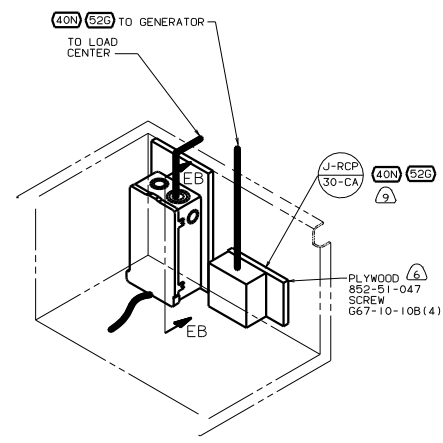
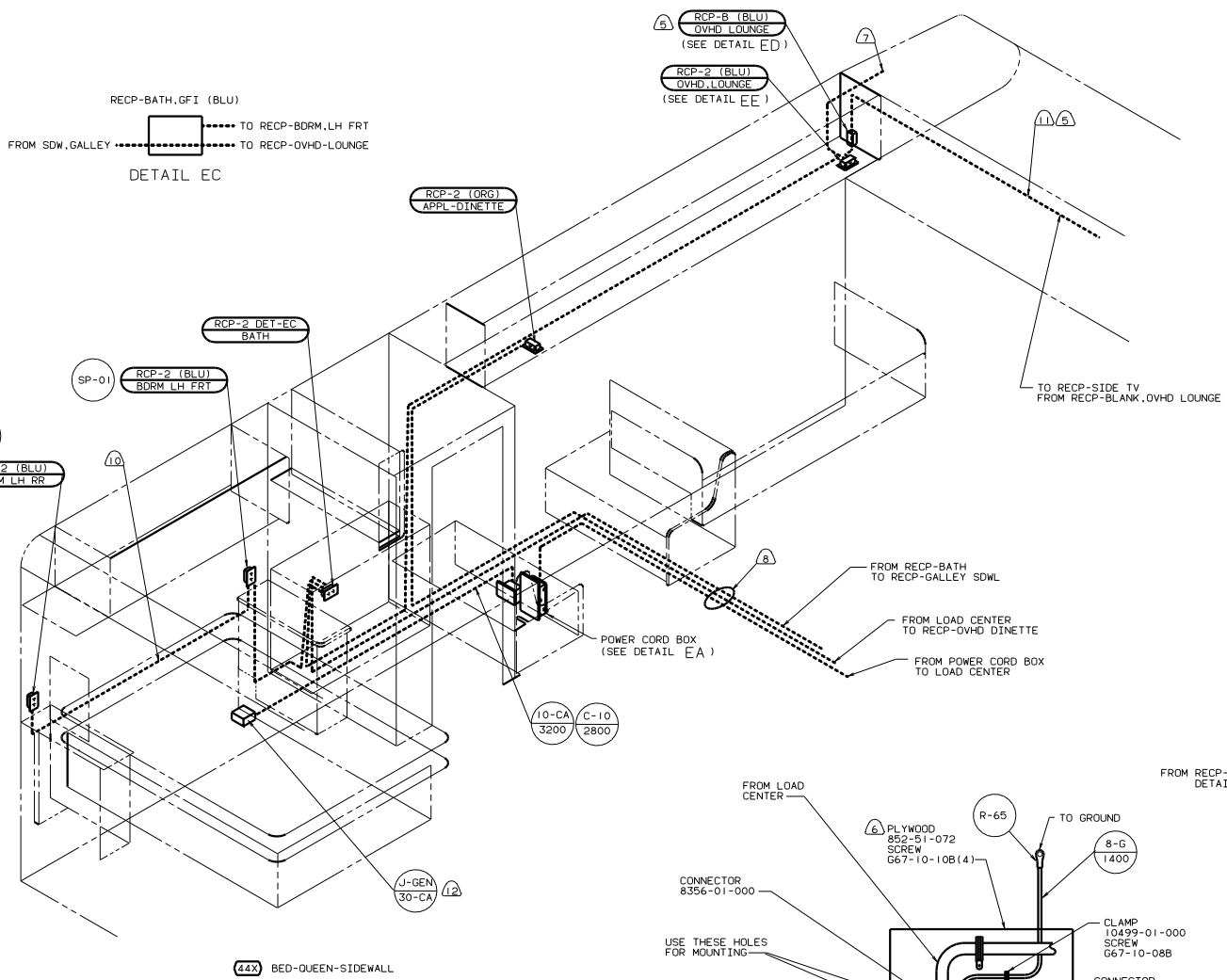
(1B) CODES STANDARDS/USA

(12D) ELECTRICAL SYSTEM 30 AMP

99 331G (1B) (12D)

WIRING INSTL-BODY(30 CC US)

131177



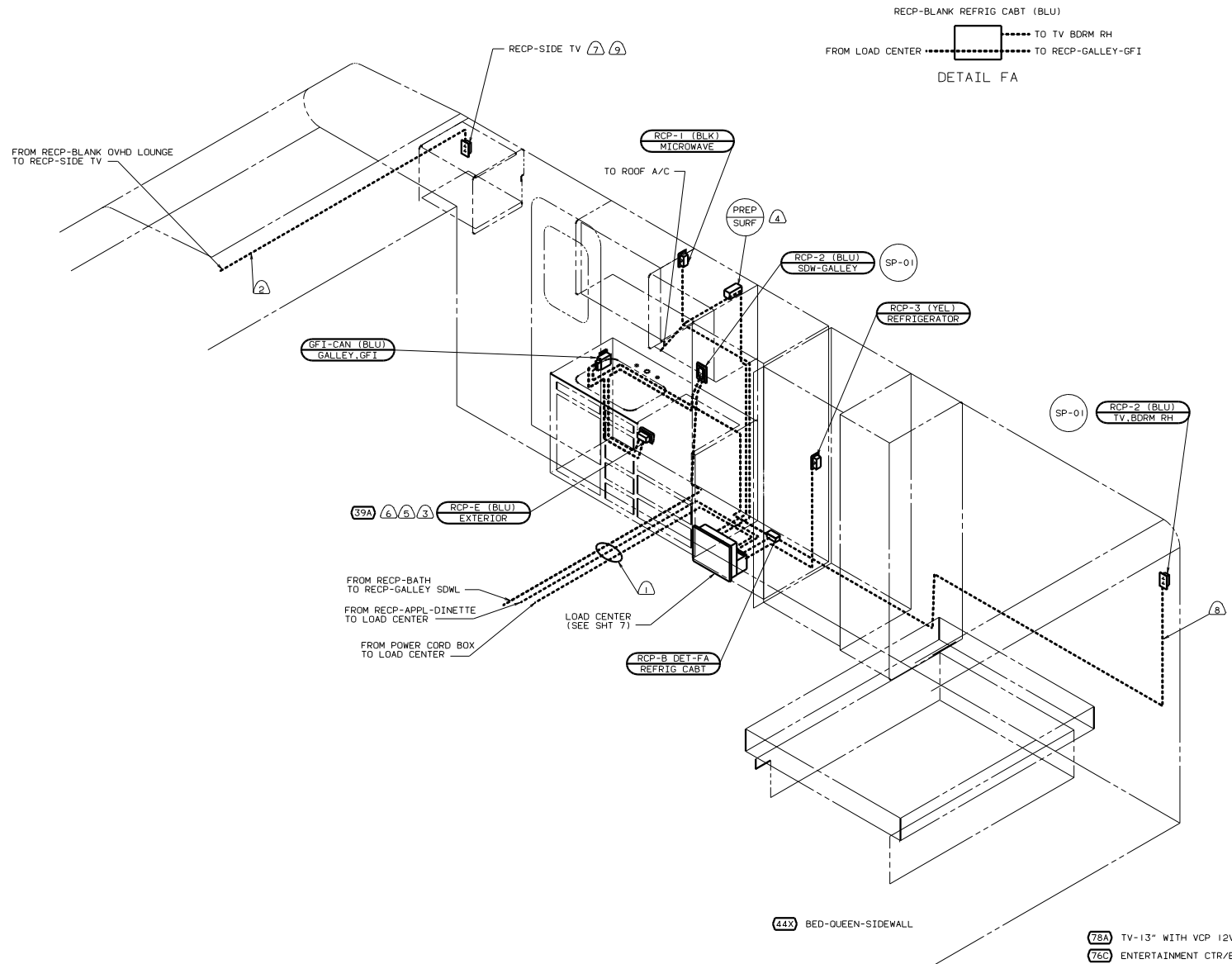
- NOTES:
- SEE GENERATOR INSTL FOR ADDITIONAL INFORMATION.
 - WIRE ROUTED IN ROOF.
 - WIRE ROUTED IN SIDEWALL.
 - INSTALL RECP WITH GROUND TOWARD OUTBOARD SIDE OF VEHICLE.
 - WIRE ROUTED THRU FLOOR.
 - SEE WIRING INSTL-TV/VCR,FRONT FOR ADDITIONAL INFORMATION.
 - PAINT EXPOSED SURFACES BLACK WITH 106112-01-000.
 - NOT USED WITH 78A 421 210
 - SEAL ALL HOLES THRU FLOOR.
 - ALL GROUND WIRES TO BE COVERED WITH TUBING 8041-02-000.
 - ALL WIRES ARE TO BE CLAMPED WITH CLAMP 10497-05-000 WITHIN 200 OF OUTLET BOXES. USE SCREW G67-10-12B UNLESS OTHERWISE SPECIFIED.
 - ALL WIRE TO BE CLAMPED WITH CLAMP 10495-01-000 OR CLIP 80734-02-000 EVERY 600. USE SCREW G67-10-12B UNLESS OTHERWISE SPECIFIED.

- 78A TV-13" WITH VCP 12V
- 52G GEN-3.6KW ONAN LP
- 44X BED-QUEEN-SIDEWALL
- 421 TV-19" FRONT & SWITCHING SYS
- 40N GEN-4.0KW-ONAN-GAS-MICROLITE
- 265 CODES/STANDARDS-CSA/CMVSS
- 210 TV-19" W/VCR/SWITCHING SYS
- 120 ELECTRICAL SYSTEM 30 AMP

FOR ELECTRICAL TORQUE SPECIFICATIONS SEE DWG NO 128783-01-000

FOR ELECTRICAL CALLOUTS SEE DWG NO 121339-01-000

99 331G 265 120 44X
 TITLE: WIRING INSTL-BODY(110130CAN)
 SHEET 5 OF 13



RECP-BLANK REFRIG CABT (BLU)
 FROM LOAD CENTER TO TV BDRM RH
 TO RECP-GALLEY-GFI
 DETAIL FA

- 9) NOT USED WITH 210 421 78A
- 8) WIRE ROUTED IN SIDEWALL.
- 7) SEE WIRING INSTL-TV/VCR SIDE FOR ADDITIONAL INFORMATION.
- 6) NOT USED WITH 76C
- 5) SEE ENT CTR INSTL-EXT FOR ADDITIONAL INFORMATION.
- 4) NOT USED WITH 250
- 3) SEAL BACK SIDE OF RECP FACE.
- 2) WIRE ROUTED IN ROOF.
- 1) WIRE ROUTED THRU FLOOR.

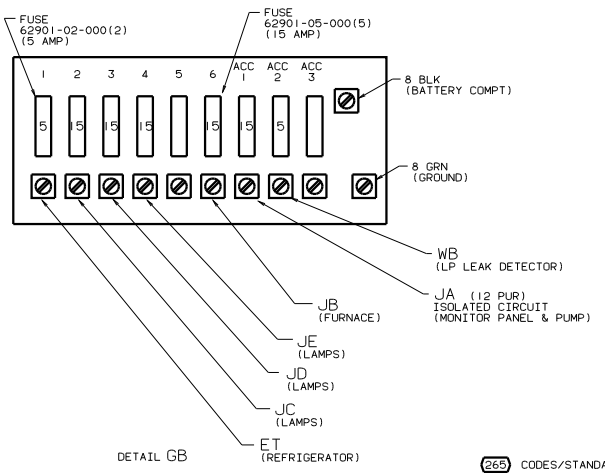
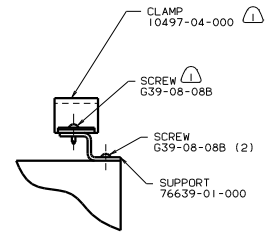
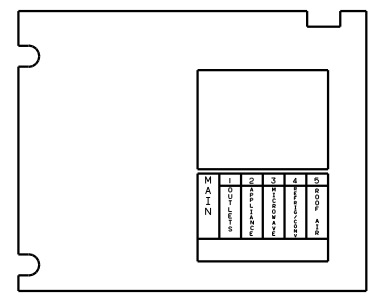
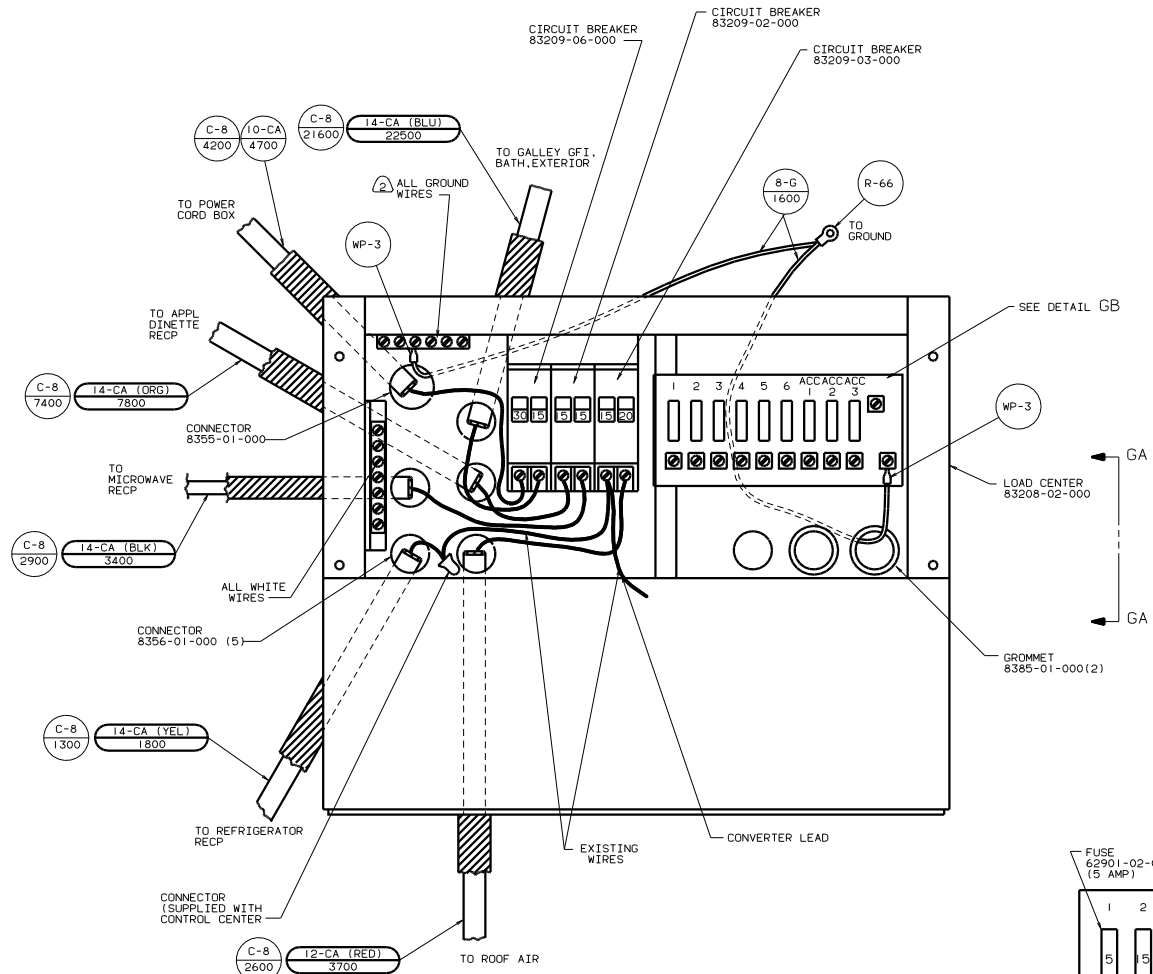
44X BED-QUEEN-SIDEWALL

- 78A TV-13" WITH VCP 12V
- 76C ENTERTAINMENT CTR/EXT CSETTE
- 44X BED-QUEEN-SIDEWALL
- 421 TV-19" FRONT & SWITCHING SYS
- 39A EXT RECEPTACLE DPLX 120VAC
- 265 CODES/STANDARDS-CSA/CMVSS
- 250 A/C ROOF AIR (1) 14,800 BTU
- 210 TV-19" W/VCR/SWITCHING SYS
- 120 ELECTRICAL SYSTEM 30 AMP

FOR ELECTRICAL TORQUE SPECIFICATIONS SEE DWG NO. 128783-01-000

FOR ELECTRICAL CALLOUTS SEE DWG NO. 121539-01-000

99 331G 265 120 44X
 TITLE: WIRING INSTL-BODY(L10R30CAN)
 SHEET 6 OF 13 131177

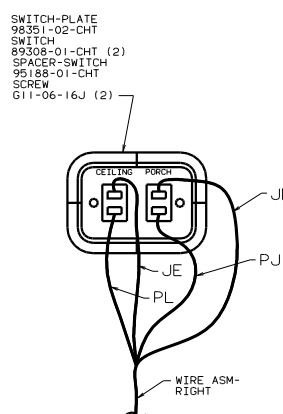


NOTES:
 (2) ALL GROUND WIRES TO BE COVERED WITH TUBING 8041-02-000.
 (1) FASTEN ALL WIRES TO SUPPORT. USE ONE SCREW PER CLAMP.

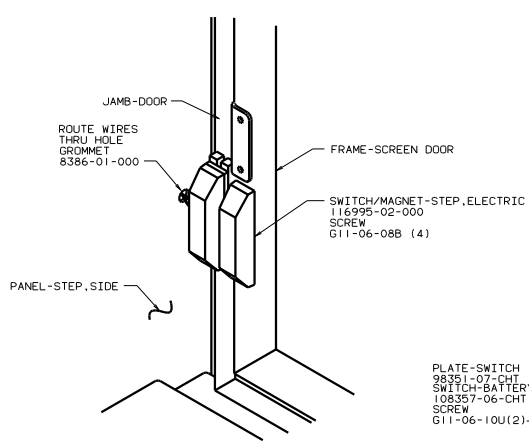
FOR ELECTRICAL TORQUE SPECIFICATIONS SEE DWG NO. 128783-01-000

FOR ELECTRICAL CALLOUTS SEE DWG NO. 121339-01-000

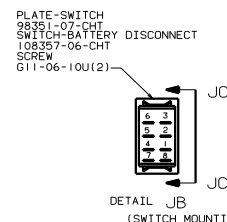
(265) CODES/STANDARDS-CSA/CMVSS
 (120) ELECTRICAL SYSTEM 30 AMP
 99 331G (265) (120)
 TITLE: WIRING INSTL-BODY(30 CC CAN)
 SHEET 7 OF 13



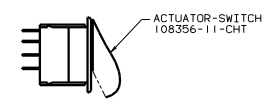
DETAIL JA



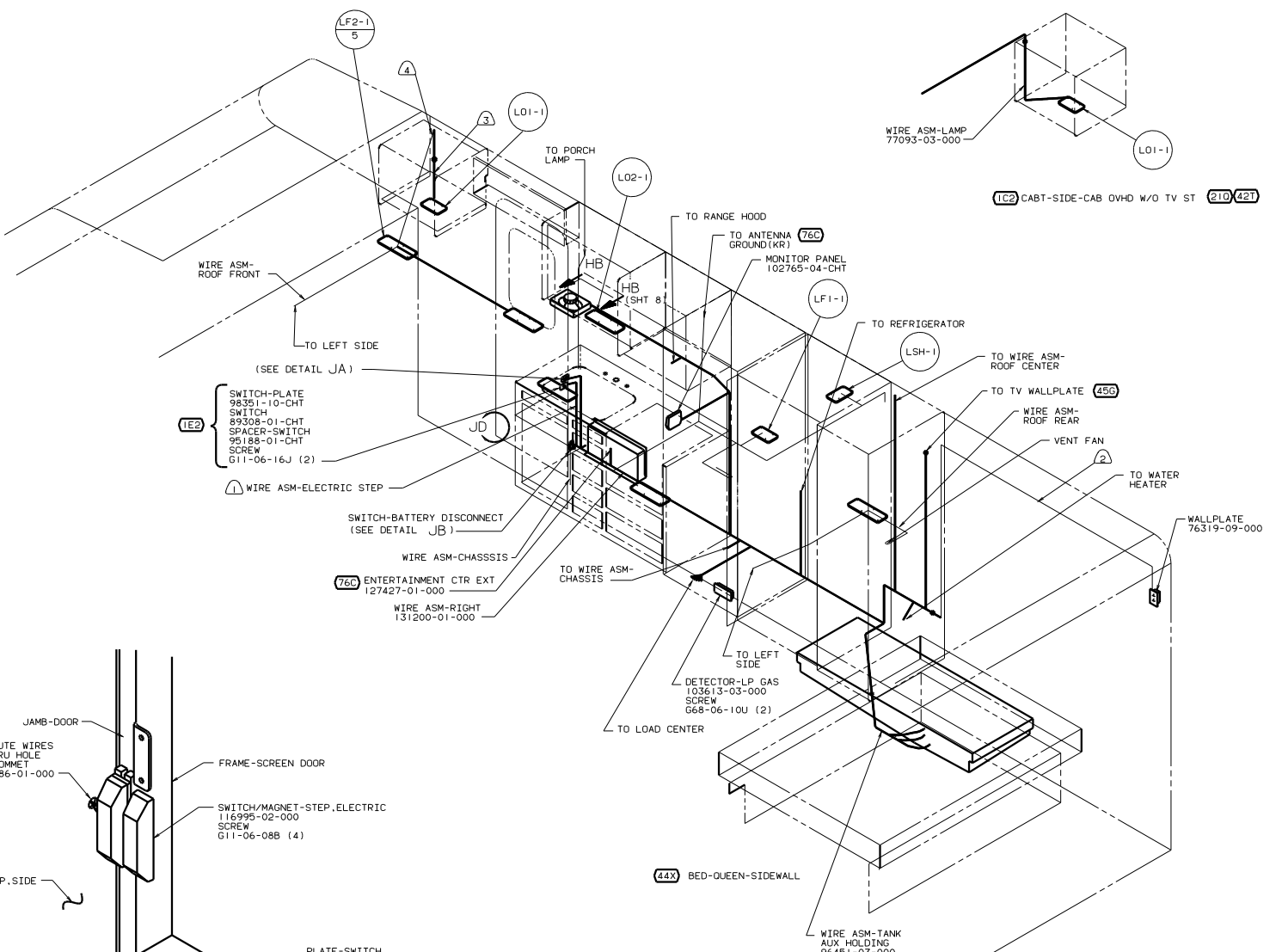
DETAIL A (1E2)



DETAIL JB (SWITCH MOUNTING ORIENTATION)



VIEW JC-JC (SWITCH ACTUATOR ORIENTATION)

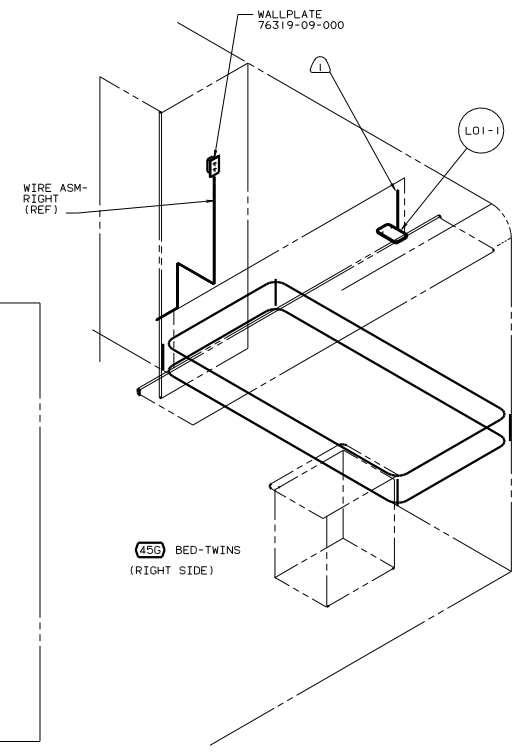
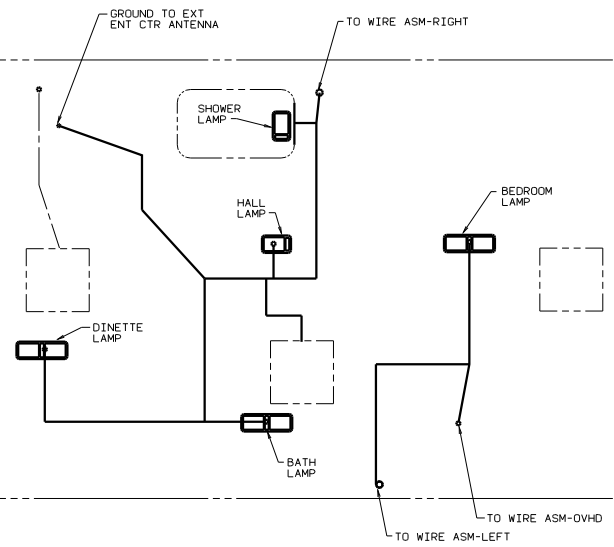
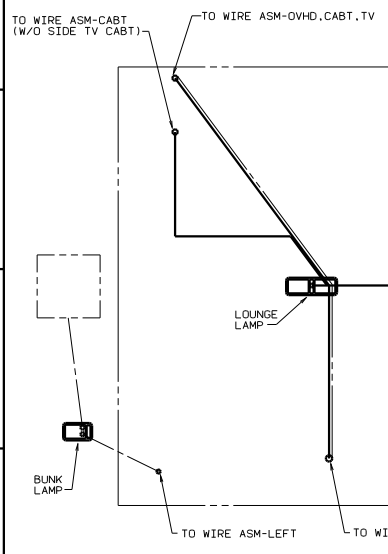
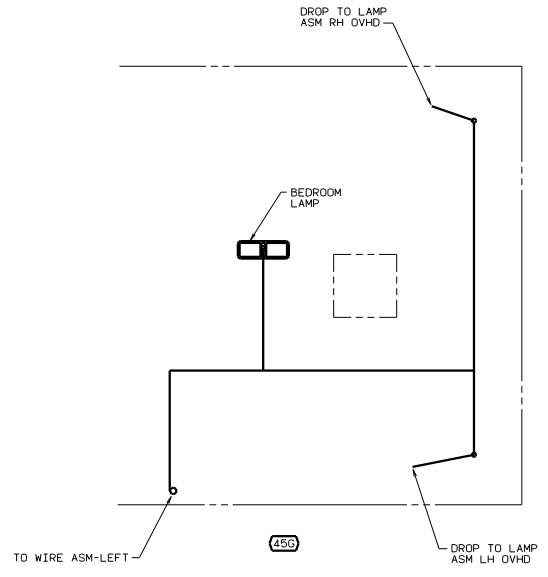
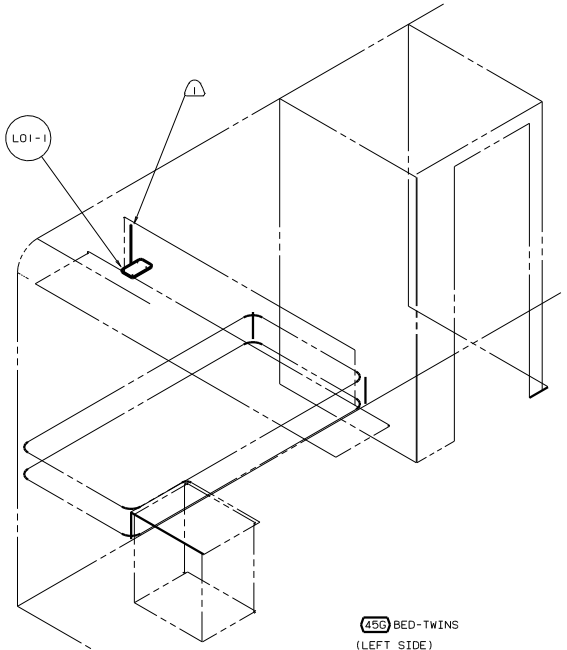


- ④ SEE WIRING INSTL-TV/VCP SIDE FOR ADDITIONAL INFORMATION.
- ③ SEE CABT ASM-TV FOR ADDITIONAL INFORMATION.
- ② WIRE ROUTED IN SIDEWALL.
- ① SEE WIRING INSTL CHASSIS FOR ADDITIONAL INFORMATION.

- (421) TV-19" FRONT W/VIDEO SEL
- (210) TV-19" W/VCR/VIDEO SELECTION
- (76C) ENTERTAINMENT CTR/EXT CSETTE
- (450) BED-TWINS
- (44X) BED-QUEEN-SIDEWALL
- (265) CODES/STANDARDS-CSA/CMVSS
- (1E2) ENTRANCE STEP-ELECTRIC
- (1C2) CABT-SIDE-CAB OVHD W/O TV ST
- (1B1) CODES STANDARDS/USA

FOR ELECTRICAL TORQUE SPECIFICATIONS SEE DWG NO. 128783-01-000

FOR ELECTRICAL CALLOUTS SEE DWG NO. 121339-01-000



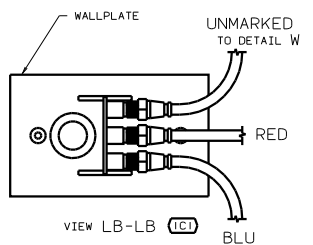
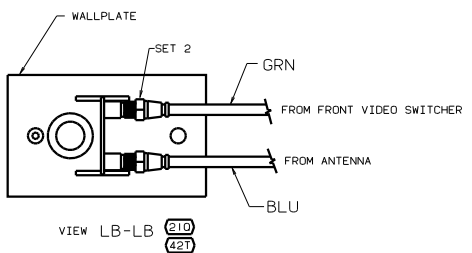
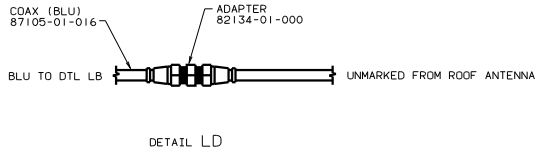
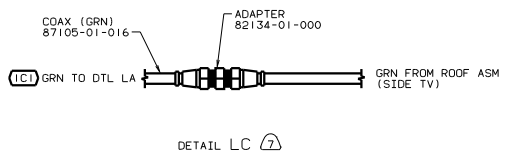
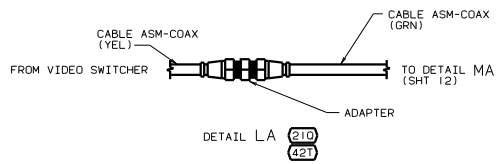
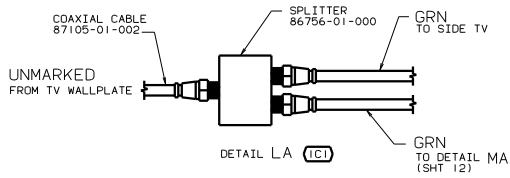
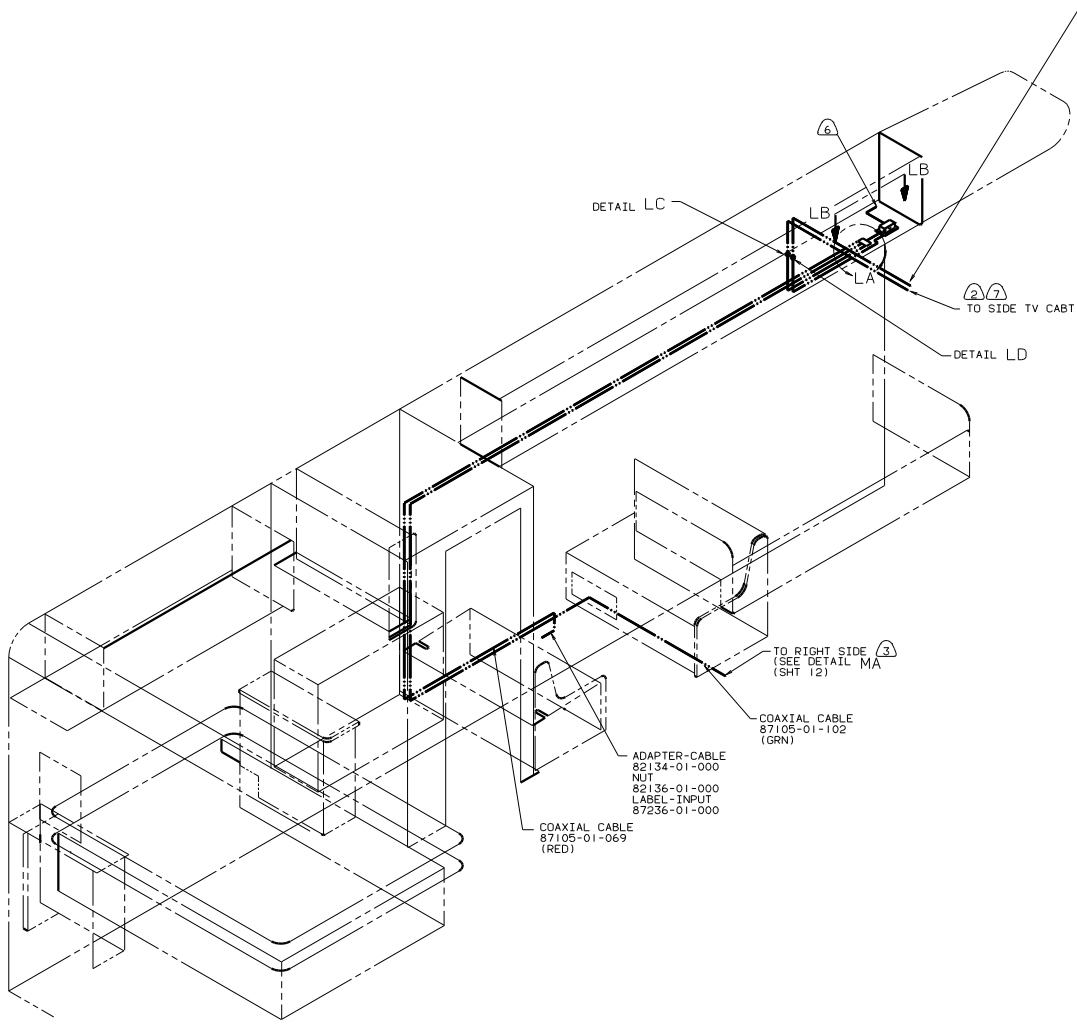
NOTES:
 1) WIRE ROUTED IN ROOF.

FOR ELECTRICAL TORQUE SPECIFICATIONS SEE DWG NO. 128783-01-000

FOR ELECTRICAL CALLOUTS SEE DWG NO. 121339-01-000

99 331G (181) (265) (45G)
 TITLE: WIRING INSTL-BODY(L2 BDRM)
 SHEET NO OF 13 131177

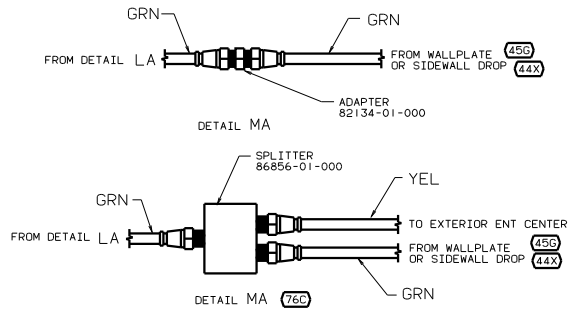
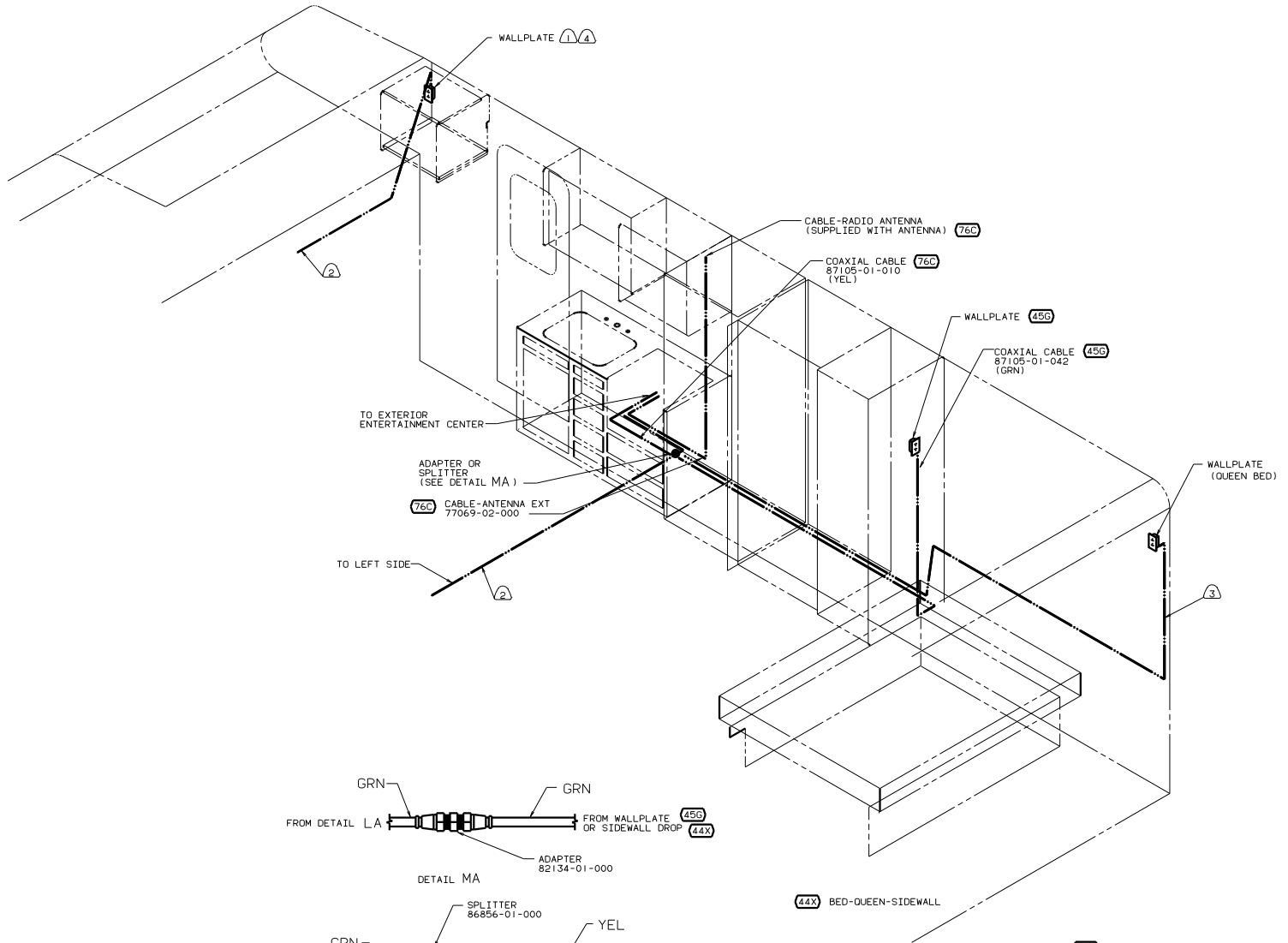
- ADAPTER 76319-06-000
- SCREW 011-08-08T(4)(EXT)
- ANTENNA 76319-20-000
- KIT-HARDWARE INTERIOR 76319-25-000
- CLIP-WIRE 80734-02-000
- BUMPER 69726-01-000



- (7) NOT USED WITH (210) (421)
- (6) WITH FRONT TV, SEE WIRING INSTL-TV/VCR FRONT FOR ADDITIONAL INFORMATION.
- (5) LOCATE TO RETAIN CABLE BUT NOT TO RESTRICT ANTENNA TRAVEL.
- (4) SEE DRAWING 76319-01-000 FOR INSTALLATION OF TV ANTENNA.
- (3) ROUTED THRU FLOOR. ADD CONDUIT 41953-07-000 BELOW FLOOR.
- (2) WIRE ROUTED IN ROOF.
- (1) ADD RUBBER BUMPER TO ROOF UNDER EACH END OF ANTENNA IN DOWN POSITION WHICH MAY COME INTO CONTACT WITH ROOF.

- (1C1) CABINET-SIDE W/TV STORAGE
- (44X) BED-QUEEN-SIDEWALL
- (421) TV-19" FRONT & SWITCHING SYS
- (265) CODES/STANDARDS-CSA/CMVSS
- (210) TV-19" W/VCR/SWITCHING SYS
- (1B1) CODES STANDARDS/USA

FOR ELECTRICAL TORQUE SPECIFICATIONS SEE DWG NO. 128783-01-000

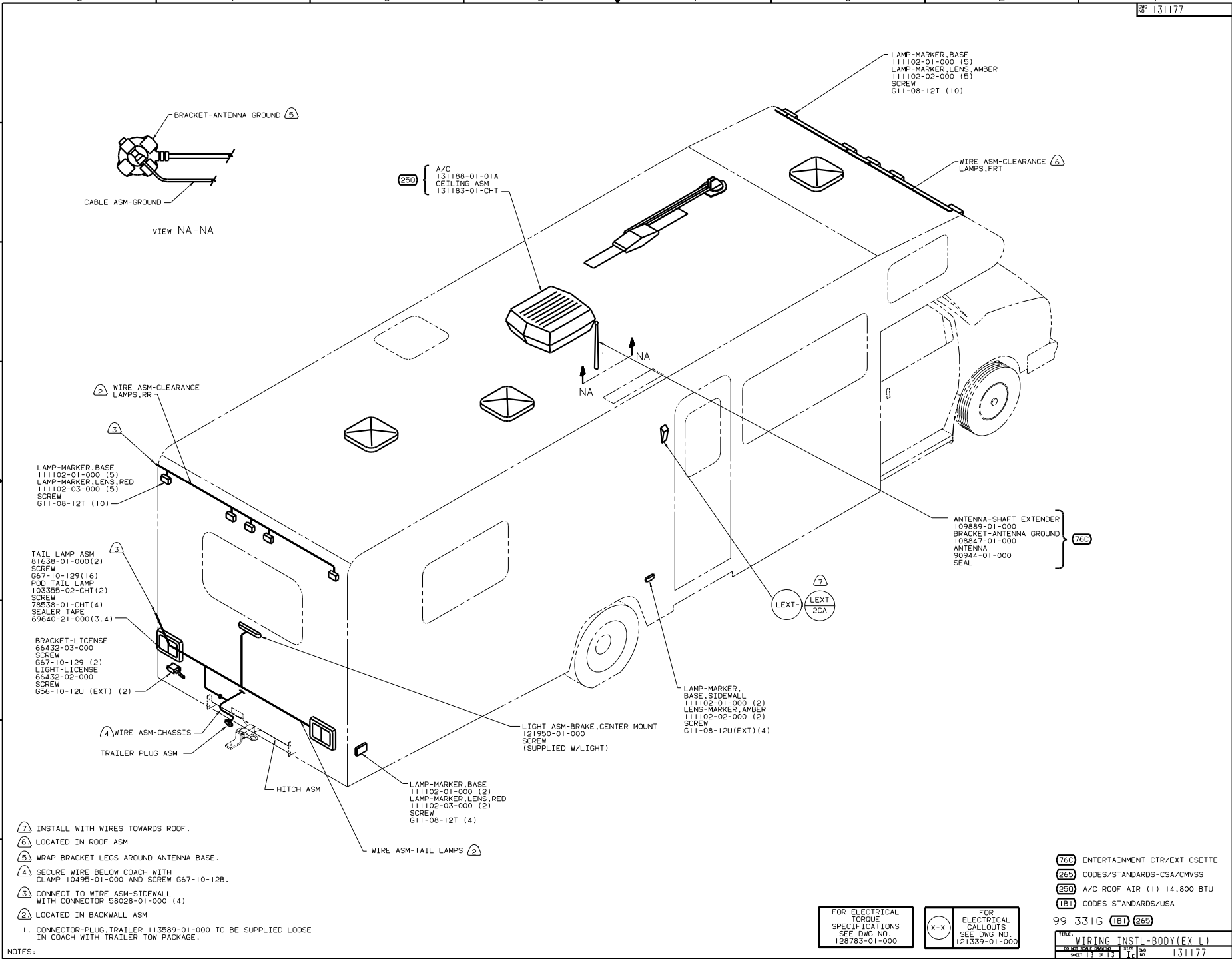


- (76C) ENTERTAINMENT CTR/EXT CSETTE
- (45G) BED-TWINS
- (44X) BED-QUEEN-SIDEWALL
- (42T) TV-19" FRONT & SWITCHING SYS
- (21D) TV-19" W/VCR/SWITCHING SYS
- (1E3) ENERGY MANAGMNT SYSTEM
- (1B1) CODES STANDARDS/USA

- (4) NOT USED WITH (21D) (42T)
- (3) WIRE ROUTED THRU SIDEWALL.
- (2) WIRE ROUTED THRU FLOOR.
- (1) SEE WIRING INSTL-TV/VCR SIDE FOR ADDITIONAL INFORMATION.

FOR ELECTRICAL
TORQUE
SPECIFICATIONS
SEE DWG NO.
128783-01-000

99 331G (1B) (26S) (44X)
TITLE: WIRING INSTL-BODY(COAX R)
DWG NO: 131177
SHEET 12 OF 13



- (7) INSTALL WITH WIRES TOWARDS ROOF.
- (6) LOCATED IN ROOF ASM
- (5) WRAP BRACKET LEGS AROUND ANTENNA BASE.
- (4) SECURE WIRE BELOW COACH WITH CLAMP 10495-01-000 AND SCREW G67-10-12B.
- (3) CONNECT TO WIRE ASM-SIDEWALL WITH CONNECTOR 58028-01-000 (4)
- (2) LOCATED IN BACKWALL ASM

1. CONNECTOR-PLUG, TRAILER 113589-01-000 TO BE SUPPLIED LOOSE IN COACH WITH TRAILER TOW PACKAGE.

NOTES:

- (76C) ENTERTAINMENT CTR/EXT CSETTE
- (265) CODES/STANDARDS-CSA/CMVSS
- (250) A/C ROOF AIR (1) 14,800 BTU
- (1B1) CODES STANDARDS/USA

99 331G (1B1) (265)

FOR ELECTRICAL TORQUE SPECIFICATIONS SEE DWG NO. 128783-01-000

FOR ELECTRICAL CALLOUTS SEE DWG NO. 121339-01-000

TITLE: WIRING INSTL-BODY(EX L)
 SHEET 13 OF 13