



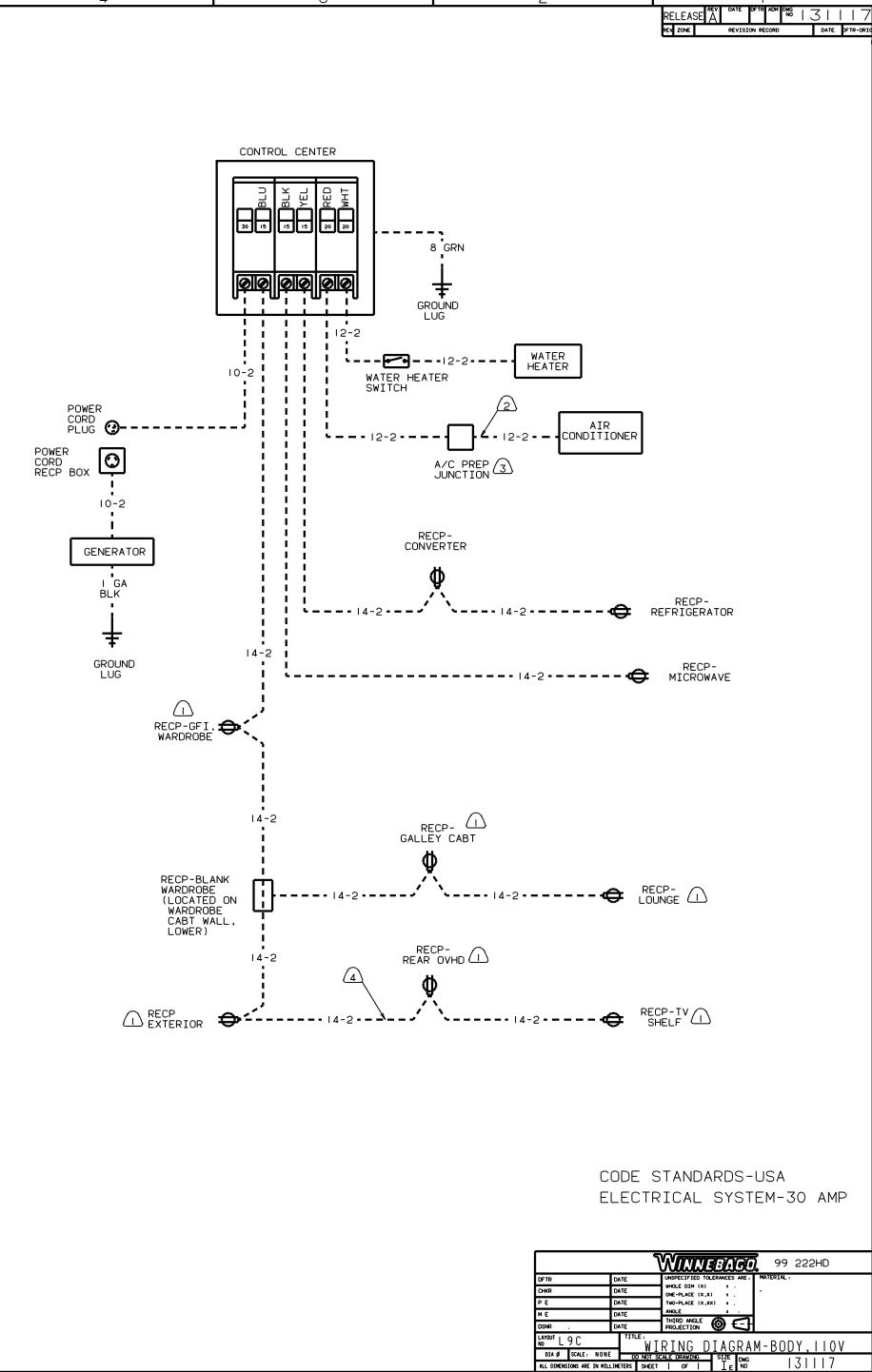
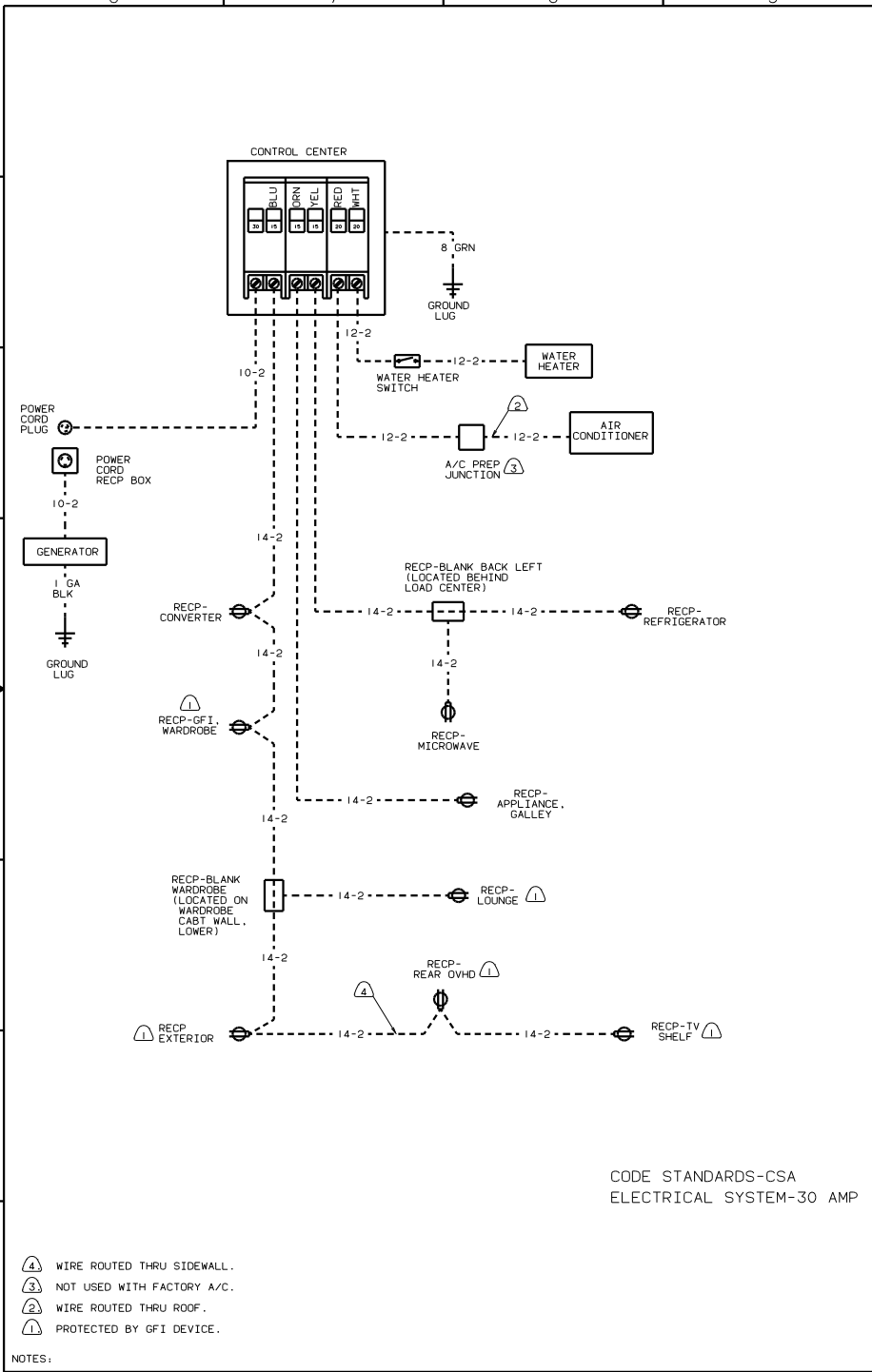
DANGER

Danger of electrical shock, burns or death. Always remove all power sources before attempting any repair, service or diagnostic work. Power can be present from shore power, generator, inverter or battery. All power sources must be disabled and secured before performing any service.



CAUTION

If you lack the skills, tools or equipment to perform diagnostic or repair work leave such work to an authorized Winnebago Industries dealer or other qualified shop.



- ④ WIRE ROUTED THRU SIDEWALL.
- ③ NOT USED WITH FACTORY A/C.
- ② WIRE ROUTED THRU ROOF.
- ① PROTECTED BY GFI DEVICE.

NOTES:

WINNEBAGO		99 222HD
OF 10	DATE	UNSPECIFIED TOLERANCES ARE:
CHP	DATE	WHOLE DIM (X)
DR	DATE	ONE-PLACE (X.X)
D/E	DATE	TWO-PLACE (X.XX)
CON	DATE	MIXED
DATE	DATE	INDIC. W/ANGLE PROJECTION
LAYOUT L9C		TITLE
REV # SCALE: NONE		WIRING DIAGRAM-BODY 110V
ALL DIMENSIONS ARE IN MILLIMETERS		SHEET 1 OF 1
REF: 130490		131117