



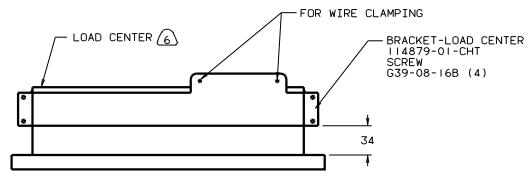
DANGER

Danger of electrical shock, burns or death. Always remove all power sources before attempting any repair, service or diagnostic work. Power can be present from shore power, generator, inverter or battery. All power sources must be disabled and secured before performing any service.

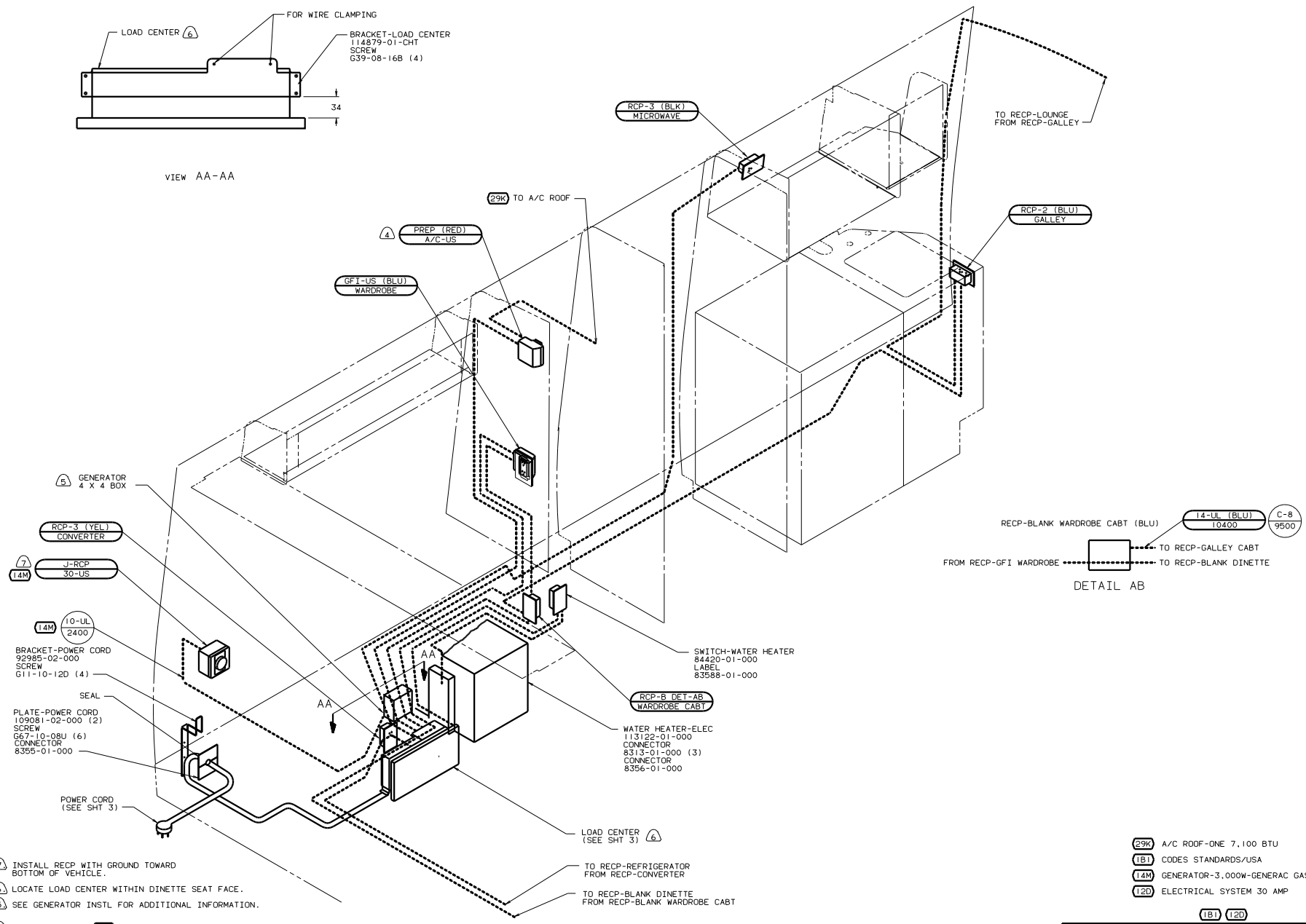


CAUTION

If you lack the skills, tools or equipment to perform diagnostic or repair work leave such work to an authorized Winnebago Industries dealer or other qualified shop.



VIEW AA-AA



4 GENERATOR
4 X 4 BOX

RCP-3 (YEL)
CONVERTER

7 J-RCP
30-US

14M 10-UL
2400

BRACKET-POWER CORD
92985-02-000
SCREW
G11-10-12D (4)

SEAL
PLATE-POWER CORD
109081-02-000 (2)
SCREW
G67-10-08U (6)
CONNECTOR
8355-01-000

POWER CORD
(SEE SHT 3)

29K TO A/C ROOF

4 PREP (RED)
A/C-US

GFI-US (BLU)
WARDROBE

RCP-3 (BLK)
MICROWAVE

RCP-2 (BLU)
GALLEY

RECP-BLANK WARDROBE CABT (BLU)

14-UL (BLU)
10400

C-8
9500

TO RECP-GALLEY CABT
FROM RECP-GFI WARDROBE TO RECP-BLANK DINETTE

DETAIL AB

SWITCH-WATER HEATER
84420-01-000
LABEL
83588-01-000

RCP-B DET-AB
WARDROBE CABT

WATER HEATER-ELEC
113122-01-000
CONNECTOR
8313-01-000 (3)
CONNECTOR
8356-01-000

LOAD CENTER
(SEE SHT 3) 6

TO RECP-REFRIGERATOR
FROM RECP-CONVERTER

TO RECP-BLANK DINETTE
FROM RECP-BLANK WARDROBE CABT

- 7 INSTALL RECP WITH GROUND TOWARD BOTTOM OF VEHICLE.
- 6 LOCATE LOAD CENTER WITHIN DINETTE SEAT FACE.
- 5 SEE GENERATOR INSTL FOR ADDITIONAL INFORMATION.
- 4 NOT USED WITH 29K

- 3. ALL GROUND WIRES TO BE COVERED WITH TUBING 8041-02-000.
- 2. ALL WIRES ARE TO BE CLAMPED WITH CLAMP 10497-05-000 WITHIN 200 OF OUTLET BOXES. USE SCREW G67-10-12B.
- 1. ALL WIRES TO BE CLAMPED WITH CLAMP 10495-01-000 OR CLIP 80734-01-000 EVERY 600. USE SCREW G67-10-12B UNLESS OTHERWISE SPECIFIED.

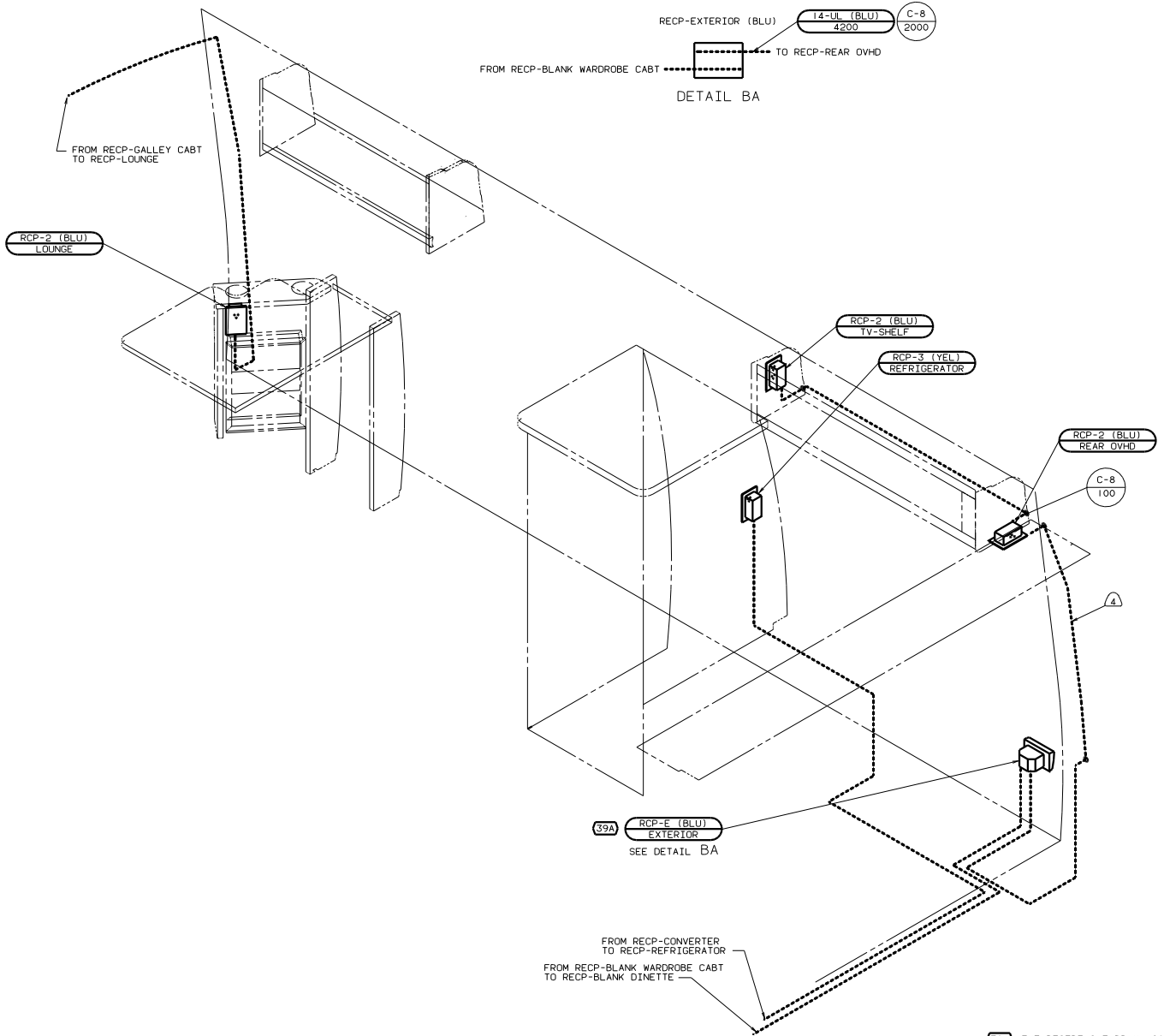
NOTES:

- 29K A/C ROOF-ONE 7,100 BTU
- 1B1 CODES STANDARDS/USA
- 14M GENERATOR-3,000W-GENERAC GAS
- 12D ELECTRICAL SYSTEM 30 AMP

1B1 12D

FOR ELECTRICAL SPECIFICATIONS SEE DWG NO. 128783-01-000	(X-X)	FOR ELECTRICAL CALLOUTS SEE DWG NO. 121339-01-000
---	-------	---

WINNEBAGO		99 222HD
DATE	UNSPECIFIED TOLERANCES ARE:	MATERIAL
DATE	WHOLE DIM (1)	
DATE	ONE-PLACE (1/32)	
DATE	TWO-PLACE (1/64)	
DATE	ANGLE	
DATE	INDIC. WHOLE PROJECTION	
DRAWING INSTL-BODY (110130US)		
SHEET 1 OF 10	DATE 11/13/115	131115



- △ ROUTE WIRE THRU SIDEWALL.
- ALL GROUND WIRES TO BE COVERED WITH TUBING 8041-02-000.
 - ALL WIRES ARE TO BE CLAMPED WITH CLAMP 10497-05-000 WITHIN 200 OF OUTLET BOXES. USE SCREW G67-10-12B.
 - ALL WIRES TO BE CLAMPED WITH CLAMP 10495-01-000 OR CLIP 80734-01-000 EVERY 600. USE SCREW G67-10-12B UNLESS OTHERWISE SPECIFIED.

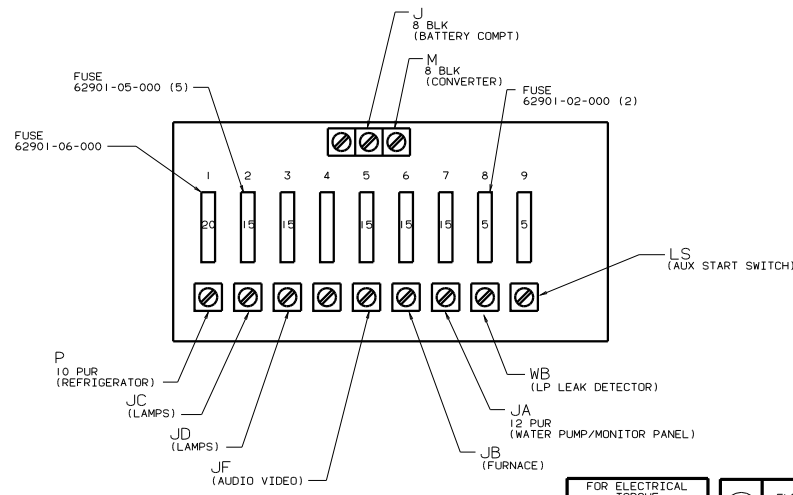
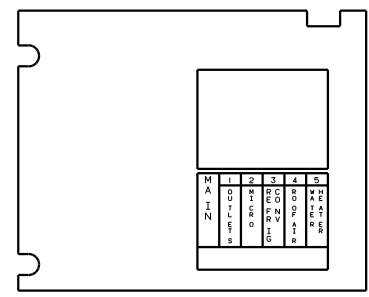
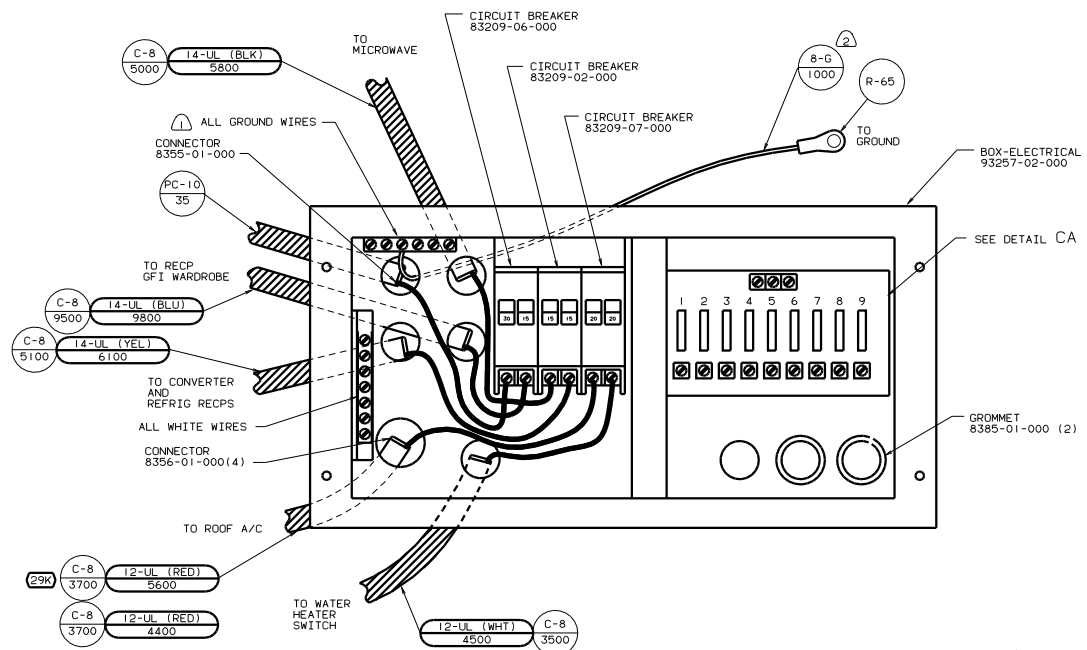
- 39A EXT RECEPTACLE DPLX 120VAC
- 1B1 CODES STANDARDS/USA
- 12D ELECTRICAL SYSTEM 30 AMP

FOR ELECTRICAL TORQUE SPECIFICATIONS SEE DWG NO. 128783-01-000

FOR ELECTRICAL CALLOUTS SEE DWG NO. 121339-01-000

99 222HD 1B1 12D

WIRING INSTL-BODY (11OR30US)
 SHEET 2 OF 10



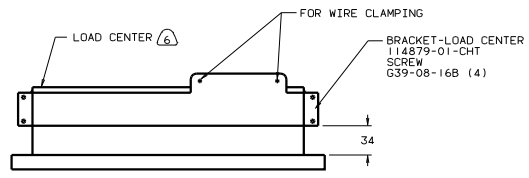
- (2) SOLDER DIP STRIPED END OF 8GA WIRE.
- (1) ALL GROUND WIRES TO BE COVERED WITH TUBING 8041-02-000.

FOR ELECTRICAL TORQUE SPECIFICATIONS SEE DWG NO. 128783-01-000

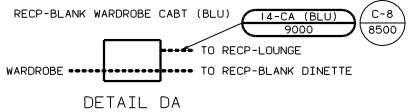
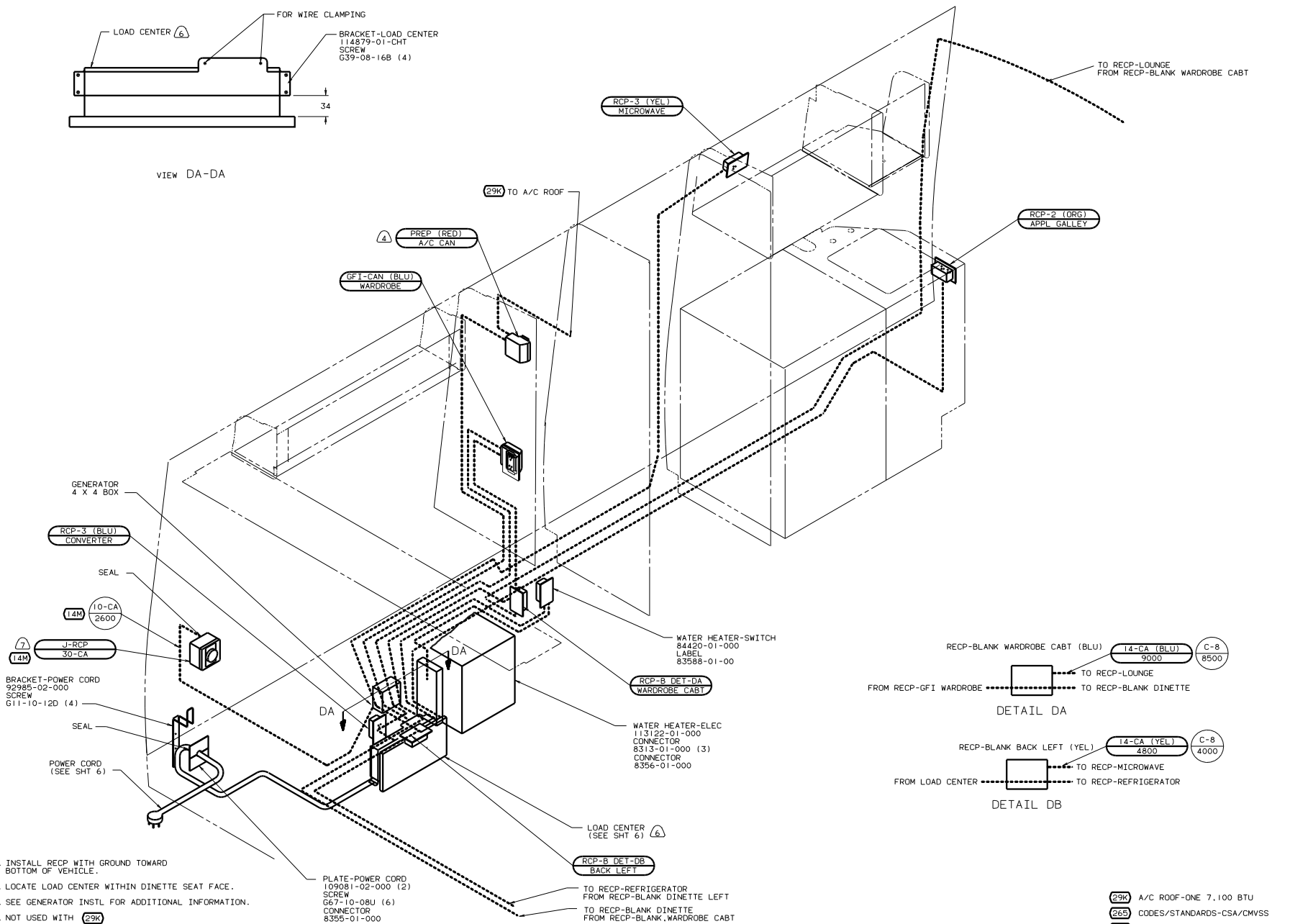
FOR ELECTRICAL CALLOUTS SEE DWG NO. 121339-01-000

- (29K) A/C ROOF-ONE 7.100 BTU
- (181) CODES STANDARDS/USA
- (120) ELECTRICAL SYSTEM 30 AMP

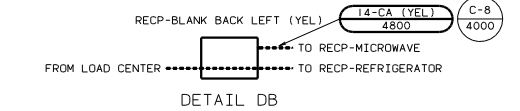
99 222HD (181) (120)
 TITLE: WIRING INSTL-BODY(30 CC US)
 SHEET 3 OF 10
 131115



VIEW DA-DA



DETAIL DA



DETAIL DB

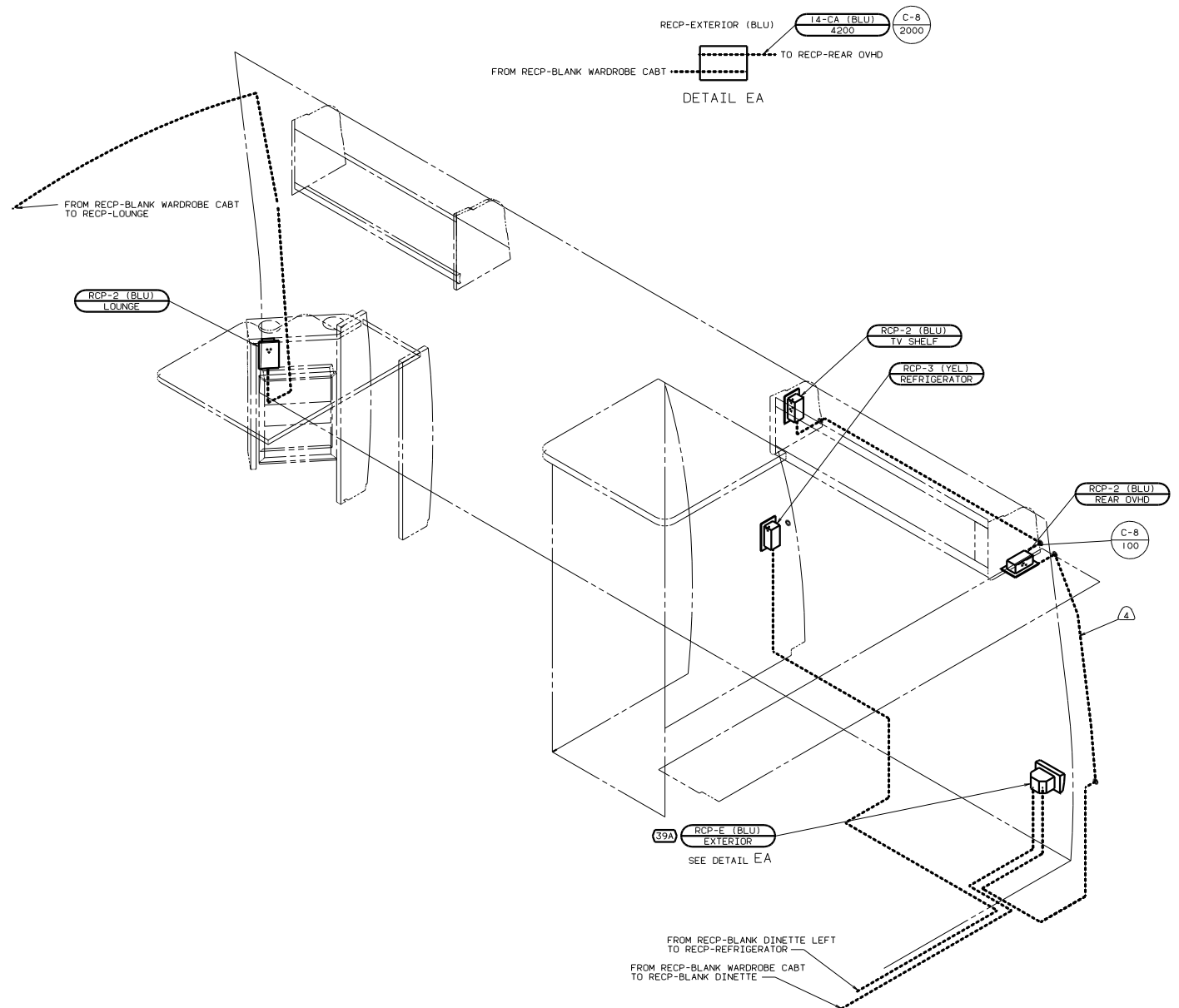
- 7) INSTALL RECP WITH GROUND TOWARD BOTTOM OF VEHICLE.
 - 6) LOCATE LOAD CENTER WITHIN DINETTE SEAT FACE.
 - 5) SEE GENERATOR INSTL FOR ADDITIONAL INFORMATION.
 - 4) NOT USED WITH 29K
3. ALL GROUND WIRES TO BE COVERED WITH TUBING 8011-02-000.
2. ALL WIRES ARE TO BE CLAMPED WITH CLAMP 10497-05-000 WITHIN 200 OF OUTLET BOXES. USE SCREW 667-10-12B.
1. ALL WIRES TO BE CLAMPED WITH CLAMP 10495-01-000 OR CLIP 80734-01-000 EVERY 600. USE SCREW 667-10-12B UNLESS OTHERWISE SPECIFIED.

NOTES:

- 29K A/C ROOF-ONE 7.100 BTU
 - 265 CODES/STANDARDS-CSA/CMVSS
 - 14M GENERATOR-3.000W-GENERAC GAS
 - 12D ELECTRICAL SYSTEM 30 AMP
- 99 222HD 265 12D

FOR ELECTRICAL TORQUE SPECIFICATIONS SEE DWG NO. 128783-01-000

FOR ELECTRICAL CALLOUTS SEE DWG NO. 121339-01-000



- ④ ROUTE WIRE THRU SIDEWALL.
- 3. ALL GROUND WIRES TO BE COVERED WITH TUBING 8011-02-000.
- 2. ALL WIRES ARE TO BE CLAMPED WITH CLAMP 10497-05-000 WITHIN 200 OF OUTLET BOXES. USE SCREW G67-10-12B.
- 1. ALL WIRES TO BE CLAMPED WITH CLAMP 10495-01-000 OR CLIP 80734-01-000 EVERY 600. USE SCREW G67-10-12B UNLESS OTHERWISE SPECIFIED.

NOTES:

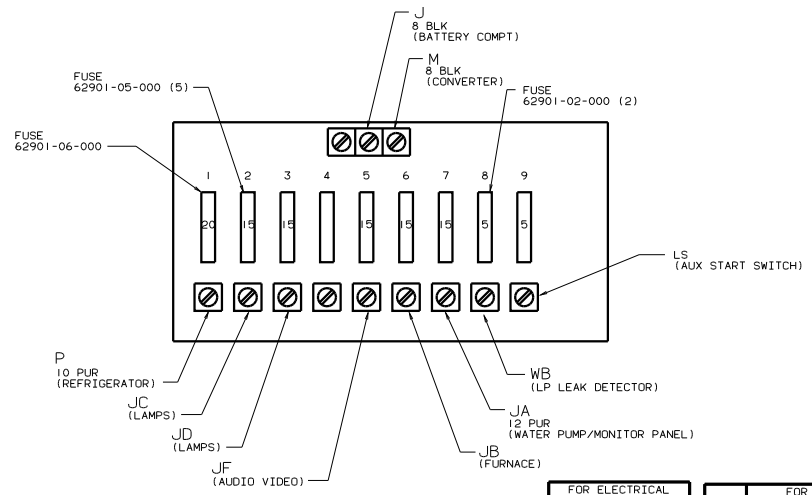
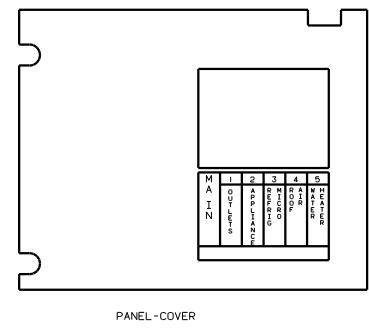
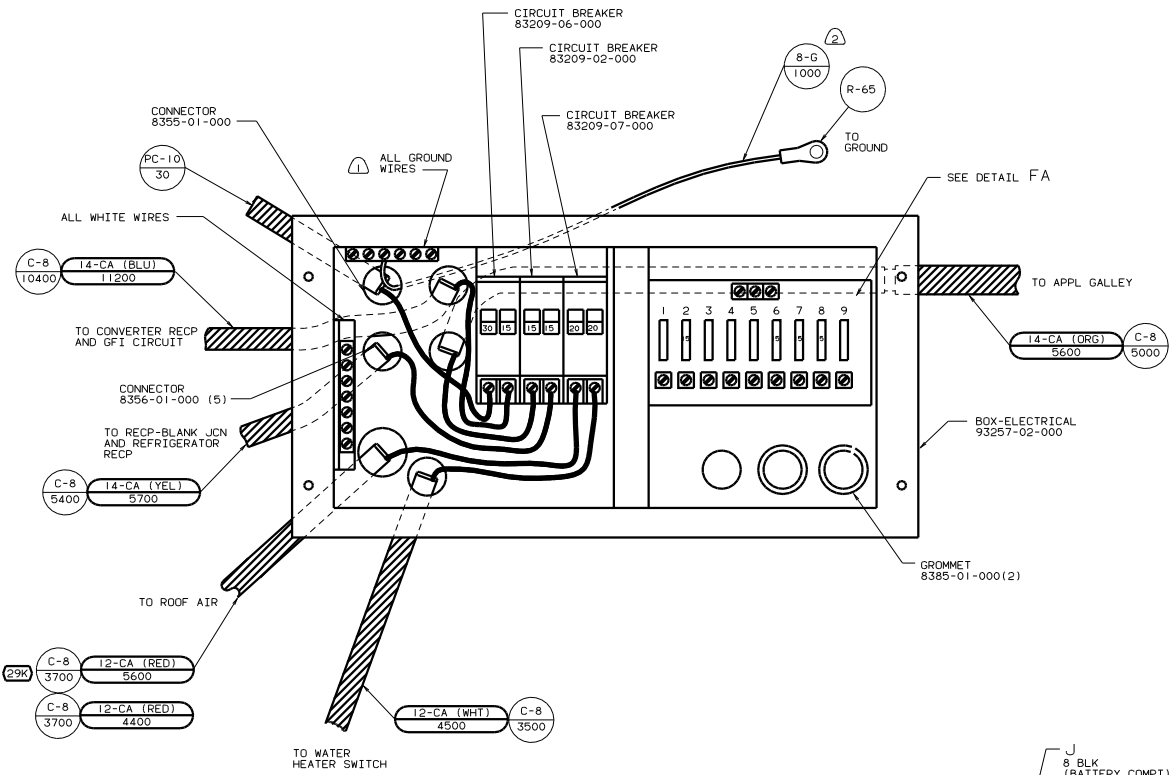
FOR ELECTRICAL TORQUE SPECIFICATIONS SEE DWG NO. 128783-01-000

FOR ELECTRICAL CALLOUTS SEE DWG NO. 121339-01-000

- ③9A EXT RECEPTACLE DPLX 120VAC
- ②65 CODES/STANDARDS-GSA/CMVSS
- ①20 ELECTRICAL SYSTEM 30 AMP

99 222HD ②65 ①20

TITLE: WIRING INSTL-BODY (L10R30CAN)
 SHEET 5 OF 10



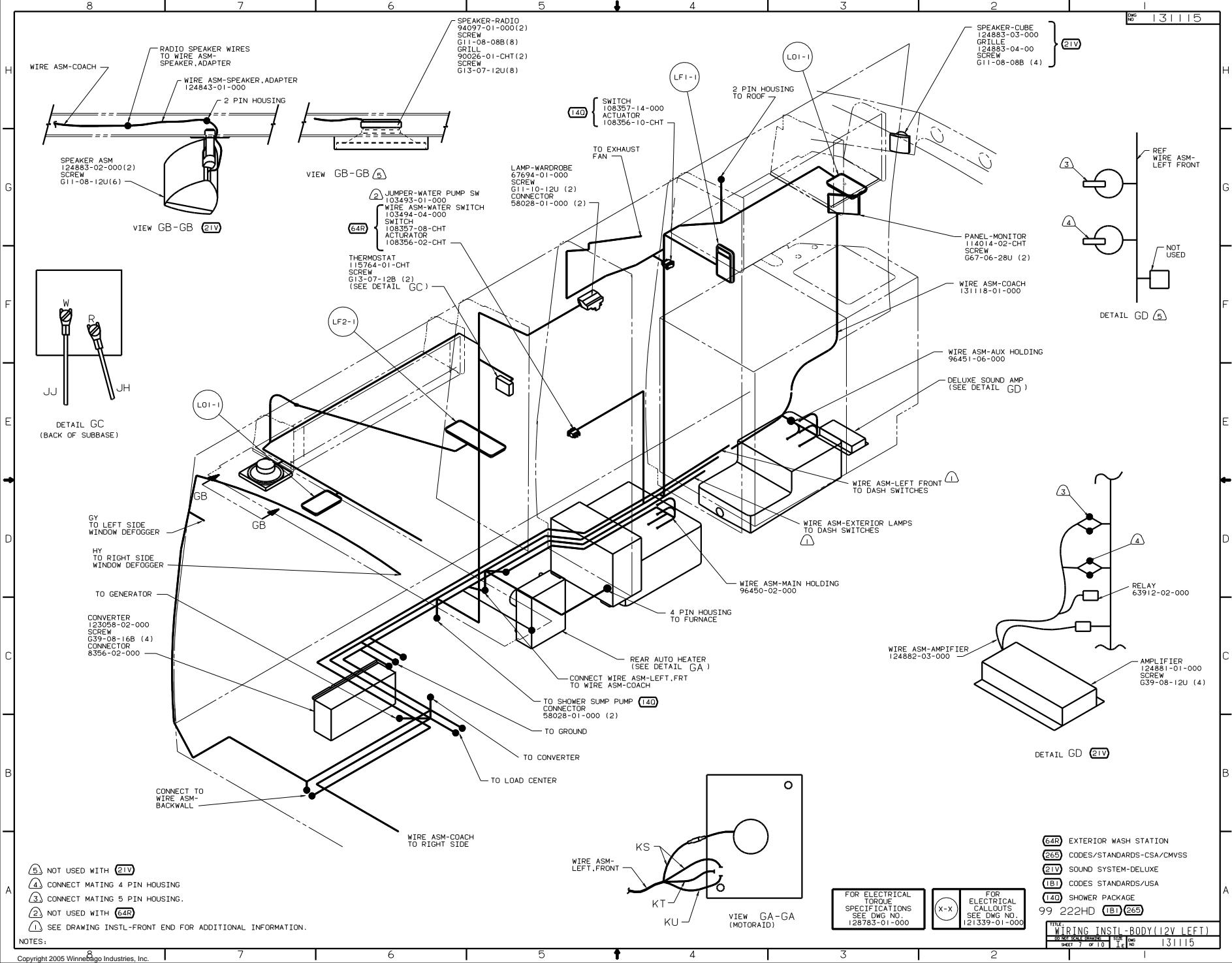
2 SOLDER DIP STRIPED END OF 8GA WIRE.
 1 ALL GROUND WIRES TO BE COVERED WITH TUBING 8041-02-000.

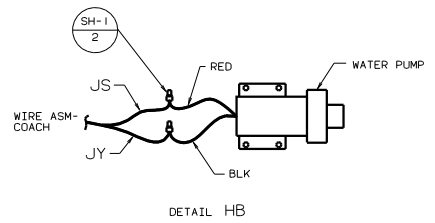
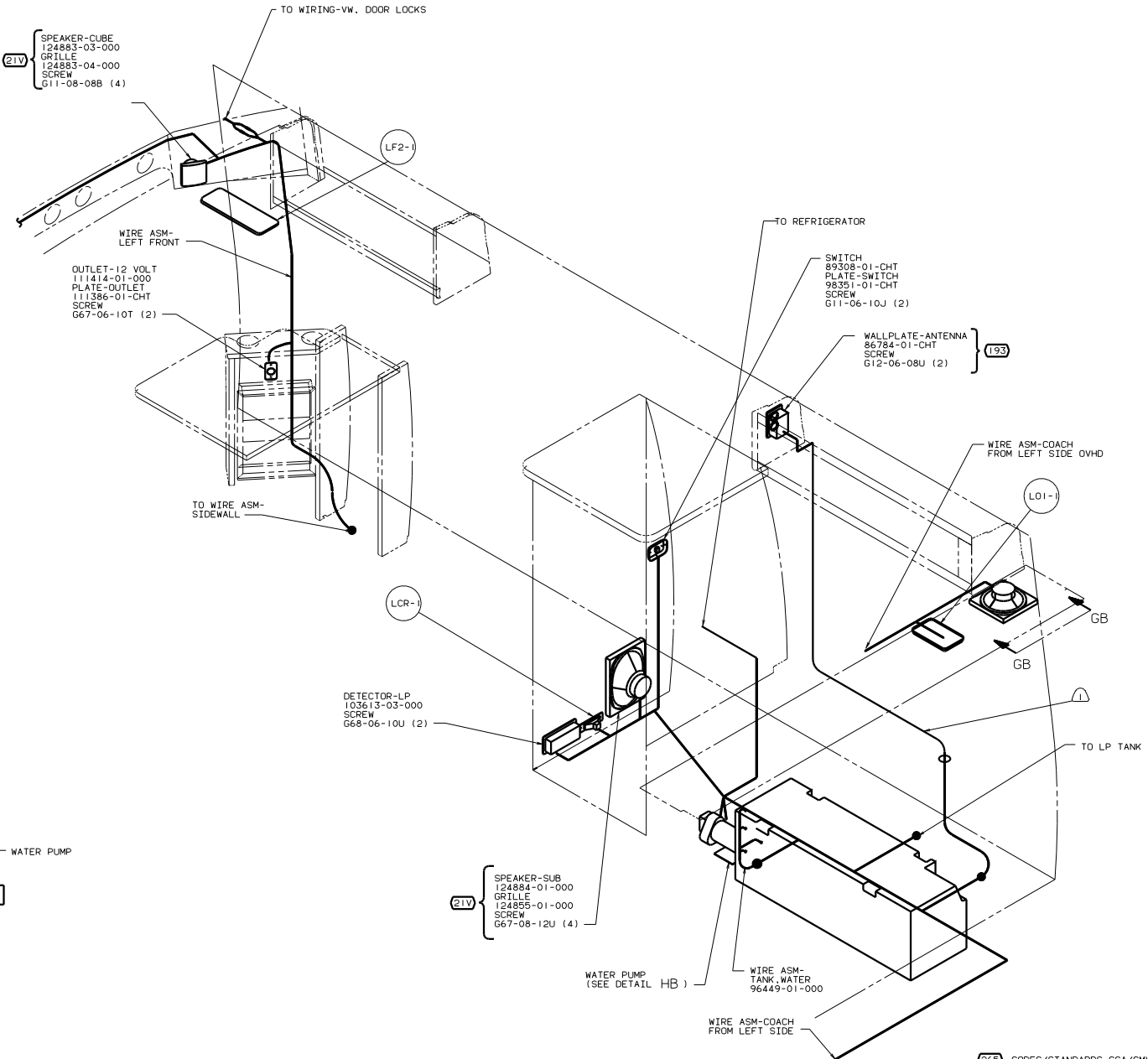
FOR ELECTRICAL TORQUE SPECIFICATIONS SEE DWG NO. 128783-01-000

FOR ELECTRICAL CALLOUTS SEE DWG NO. 121339-01-000

29K A/C ROOF-ONE 7.100 BTU
 265 CODES/STANDARDS-CSA/CMVSS
 120 ELECTRICAL SYSTEM 30 AMP
 99 222HD 265 120

FILE: WIRING INSTL-BODY(30 CC CAN)
 SHEET 6 OF 10





1 WIRE ROUTED IN SIDEWALL.

NOTES:

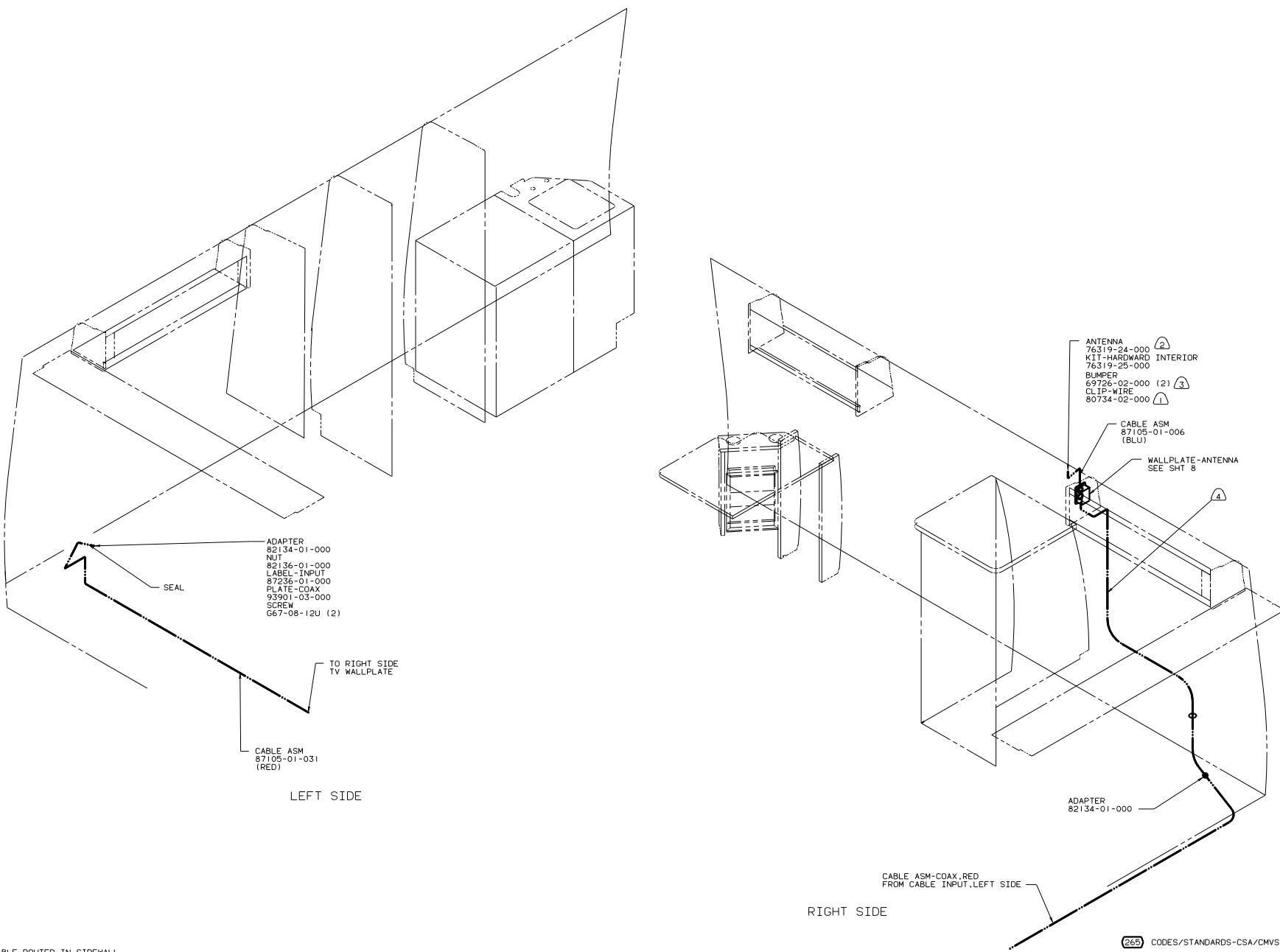
FOR ELECTRICAL TORQUE SPECIFICATIONS SEE DWG NO. 128783-01-000

(X-X) FOR ELECTRICAL CALLOUTS SEE DWG NO. 121339-01-000

- (265) CODES/STANDARDS-CSA/CMVSS
- (21V) SOUND SYSTEM-DELUXE
- (181) CODES STANDARDS/USA
- (193) TV ANTENNA

99 222HD (181) (265)

TITLE: WIRING INSTL-BODY(12_R)
SHEET 8 OF 10

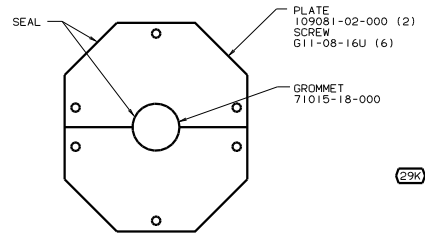


- NOTES:
- ④ CABLE ROUTED IN SIDEWALL.
 - ③ ADD RUBBER BUMPER TO ROOF UNDER EACH END OF ANTENNA IN DOWN POSITION WHICH MAY COME IN CONTACT WITH ROOF.
 - ② SEE DRAWING 76319-01-000 FOR ADDITIONAL INFORMATION.
 - ① LOCATE TO RETAIN CABLE BUT NOT RESTRICT TRAVEL OF ANTENNA.

FOR ELECTRICAL TORQUE SPECIFICATIONS SEE DWG NO. 128763-01-000

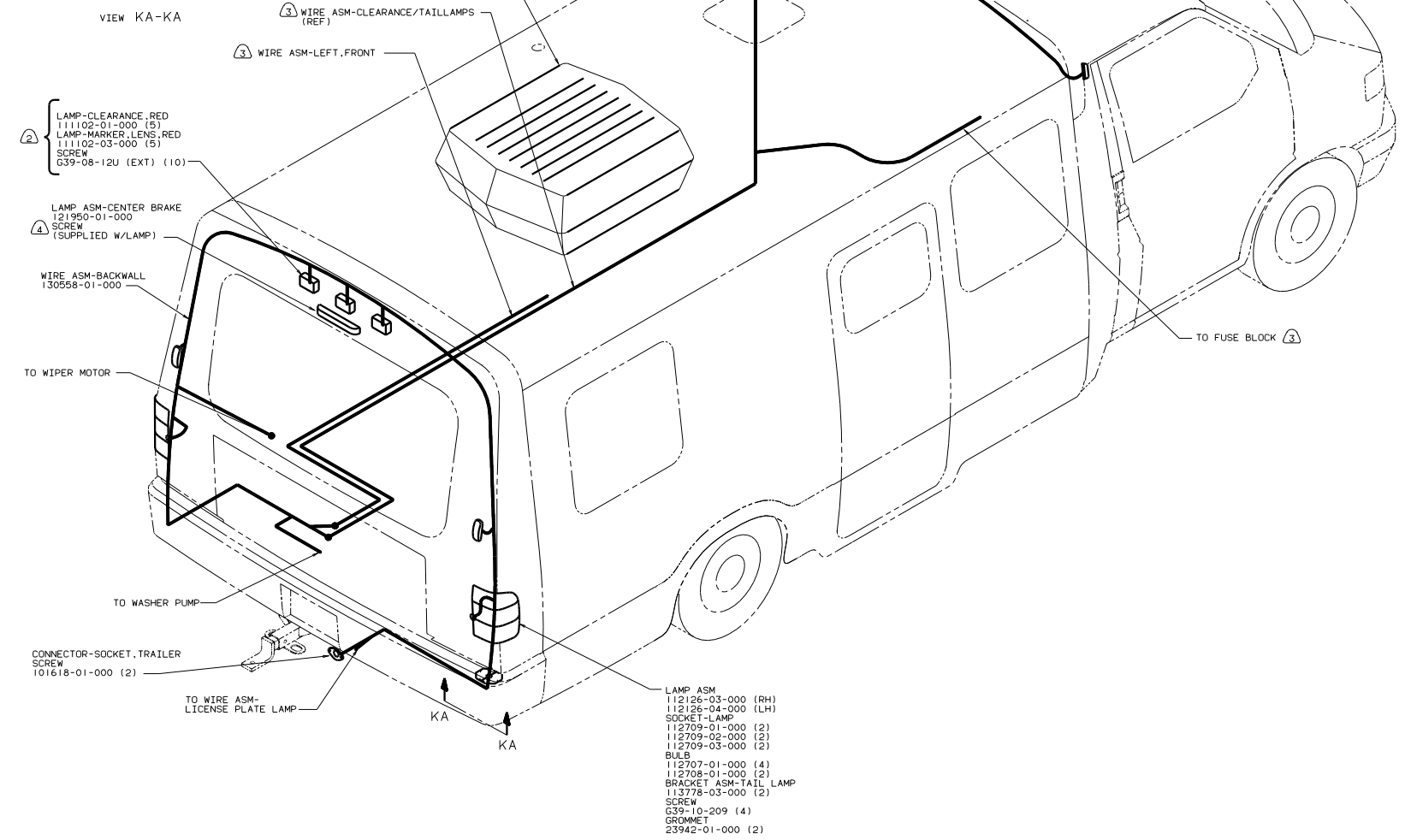
- ②65 CODES/STANDARDS-CSA/CMVSS
- ①B1 CODES STANDARDS/USA
- ①93 TV ANTENNA

99 222HD ①B1 ②65 ①93
 TITLE: WIRING INSTL-BODY(COAX)
 SHEET 9 of 10 131115



- (29K) { AIR CONDITIONER
93306-01-DHT
CEILING ASM
93307-03-000
SPRING A/C
102289-01-000 (4)

- LAMP-CLEARANCE, AMBER
113709-01-000 (5)
SCREW
011-08-12T (10)



- (4) ON INTERIOR OF CAP, GRIND OFF TIP OF SCREW PRIOR TO SEALING (TO PROVIDE INNER LINER CLEARANCE).
- (3) SEE WIRING INSTL-FRONT END FOR ADDITIONAL INFORMATION.
- (2) LOCATE ON CENTER OF HOLE IN CAP ASM-REAR.
1. CONNECTOR-PLUG, TRAILER 113589-01-000 TO BE SUPPLIED LOOSE IN COACH WITH TRAILER TOW PACKAGE.

- (29K) A/C ROOF-ONE 7,100 BTU
- (265) CODES/STANDARDS-CSA/CMVSS
- (1B1) CODES STANDARDS/USA

FOR ELECTRICAL TORQUE SPECIFICATIONS SEE DWG NO. 128783-01-000

99 222HD (1B1) (265)

TITLE	WIRING INSTL-BODY(EX L)
NO. OF SHEETS	1
SHEET NO. OF 10	131115