



**DANGER**

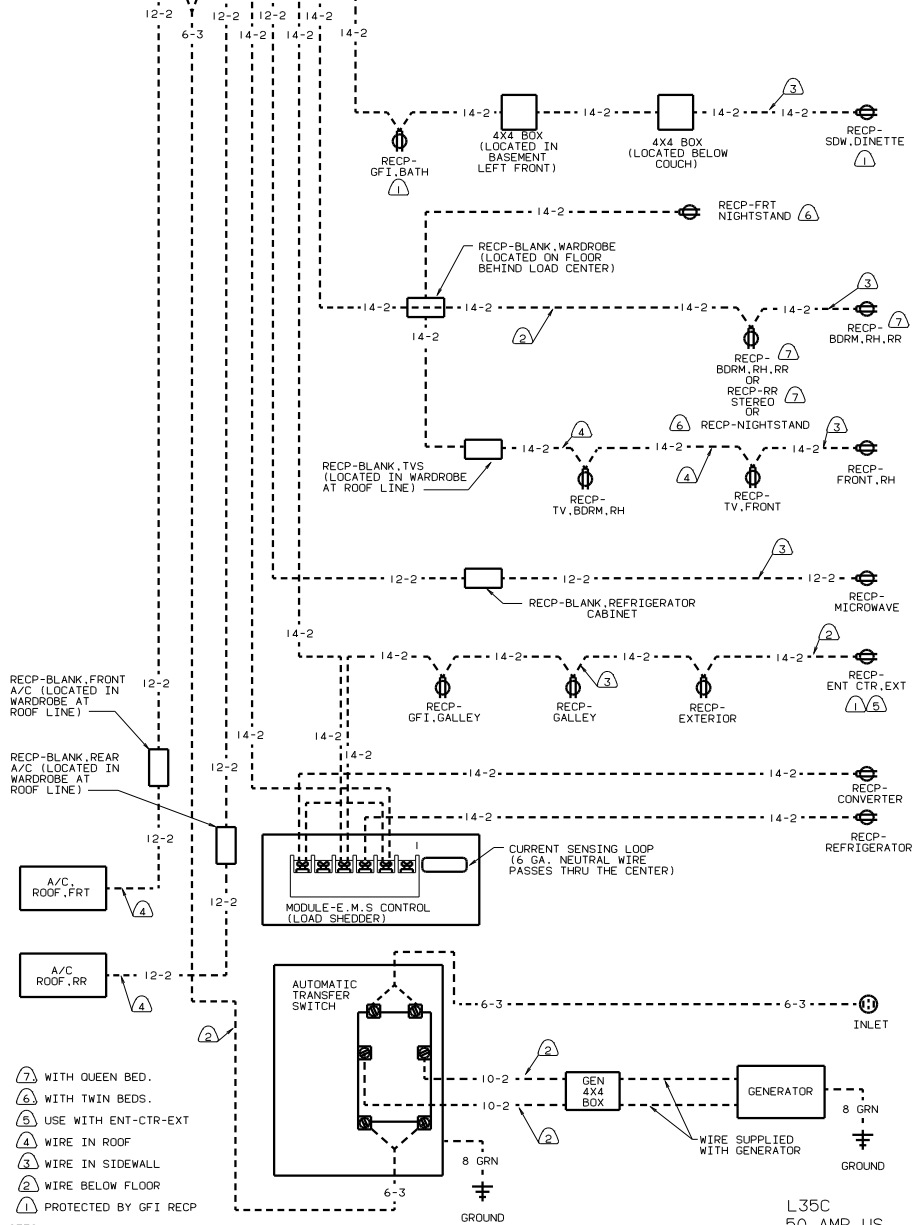
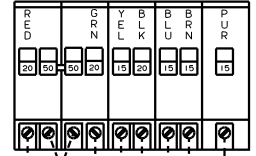
**Danger of electrical shock, burns or death.** Always remove all power sources before attempting any repair, service or diagnostic work. Power can be present from shore power, generator, inverter or battery. All power sources must be disabled and secured before performing any service.



**CAUTION**

If you lack the skills, tools or equipment to perform diagnostic or repair work leave such work to an authorized Winnebago Industries dealer or other qualified shop.

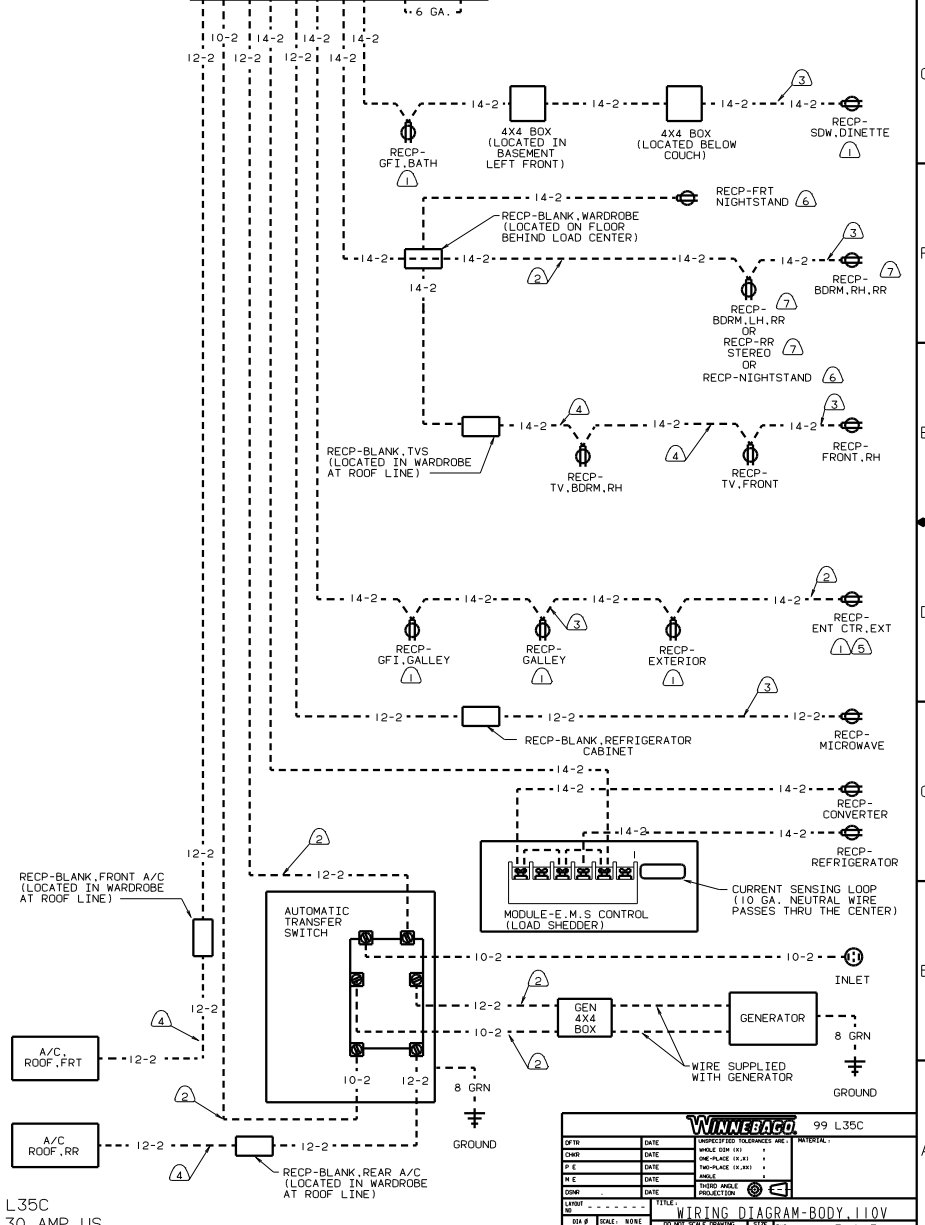
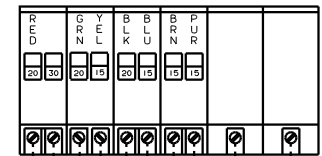
LOAD CENTER



- ⑦ WITH QUEEN BED.
- ⑥ WITH TWIN BEDS.
- ⑤ USE WITH ENT-CTR-EXT
- ④ WIRE IN ROOF
- ③ WIRE IN SIDEWALL
- ② WIRE BELOW FLOOR
- ① PROTECTED BY GFI RECP

L35C  
50 AMP US

LOAD CENTER



L35C  
30 AMP US

**WINNEBAGO** 99 L35C

DATE	UNDESIGNED	DATE	DESIGNED
DATE	ONE-PLATE (19.21)	DATE	ONE-PLATE (19.21)
DATE	ONE-PLATE (19.21)	DATE	ONE-PLATE (19.21)
DATE	INDU. W/OLE PRODUCTION	DATE	INDU. W/OLE PRODUCTION

WIRING DIAGRAM-BODY 110V  
 SHEET 1 OF 2

