



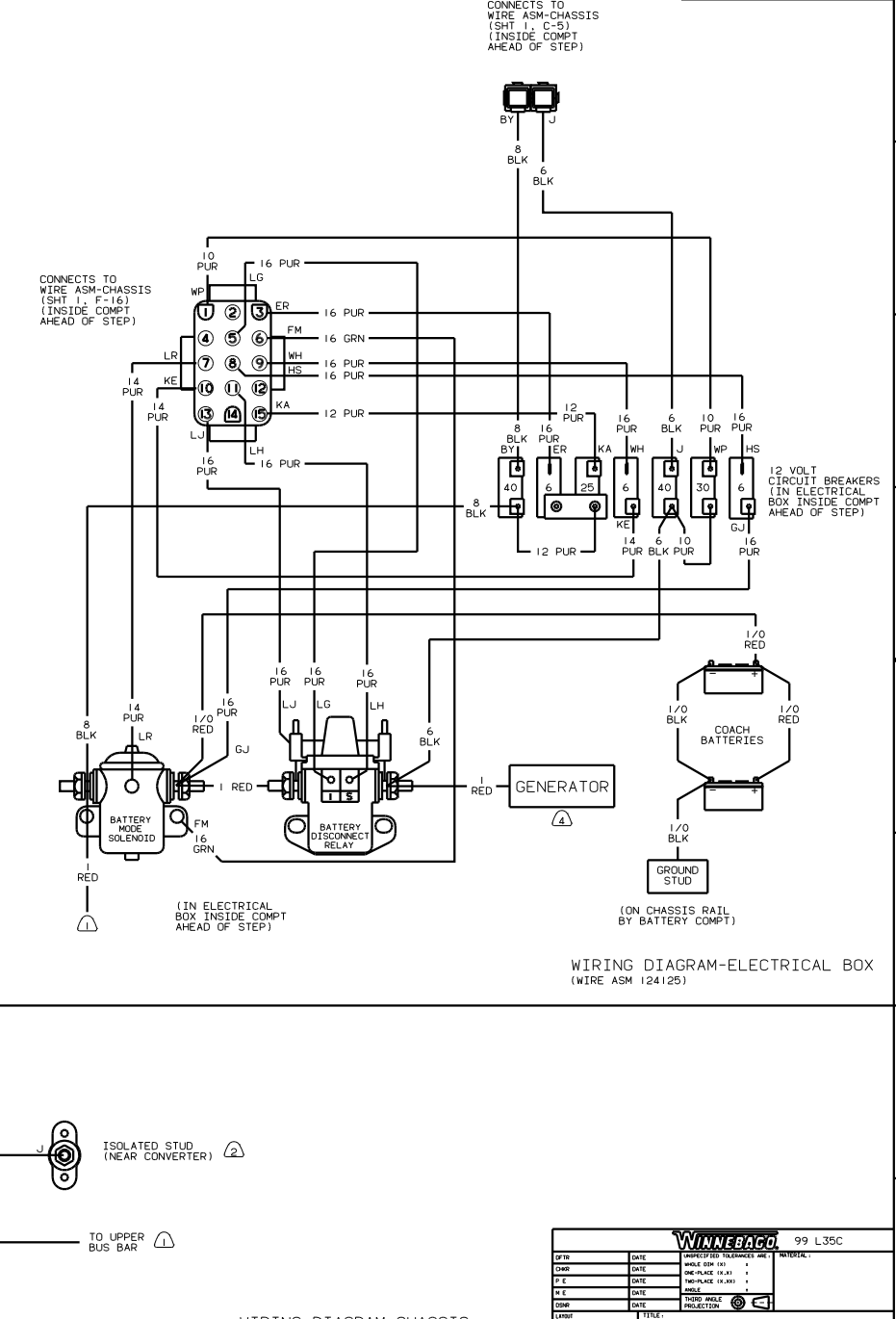
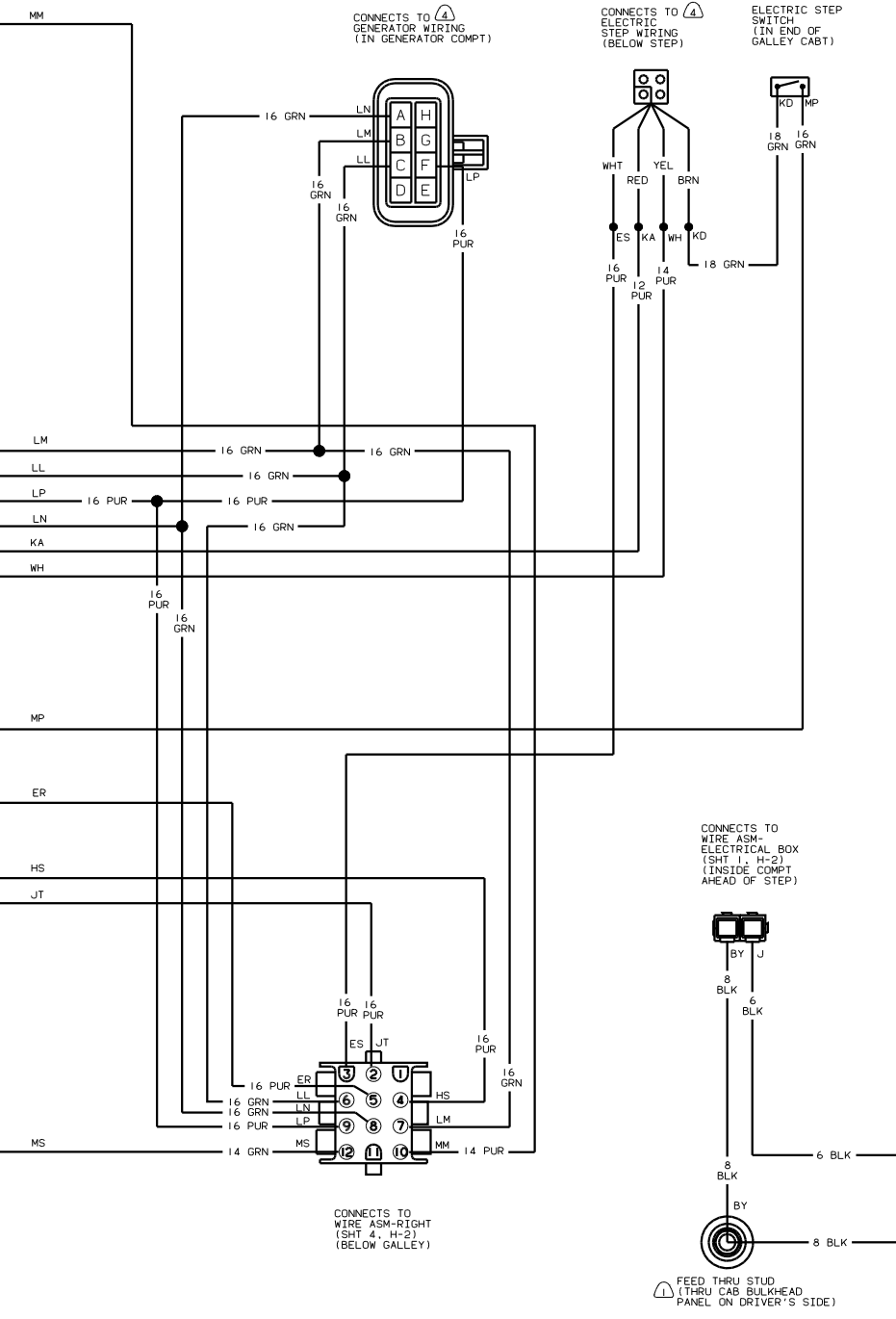
**DANGER**

**Danger of electrical shock, burns or death.** Always remove all power sources before attempting any repair, service or diagnostic work. Power can be present from shore power, generator, inverter or battery. All power sources must be disabled and secured before performing any service.



**CAUTION**

If you lack the skills, tools or equipment to perform diagnostic or repair work leave such work to an authorized Winnebago Industries dealer or other qualified shop.



WIRING DIAGRAM-ELECTRICAL BOX (WIRE ASM 124125)

WIRING DIAGRAM-CHASSIS (WIRE ASM 130509-02)

DPTD		DATE	UNDESIGNED TOLERANCES ARE	MATERIAL
CHWD	DATE	WHILE FOR T&I	+	
P.E	DATE	TWO-PHASE (X,XX)	+	
WTE	DATE	WIRE	+	
CHWD	DATE	THIRD WARE	+	
CHWD	DATE	INSPECTION	+	
LSHDT	DATE	DATE	+	
DATE	DATE	DATE	+	
DATE	DATE	DATE	+	
DATE	DATE	DATE	+	
DATE	DATE	DATE	+	
DATE	DATE	DATE	+	

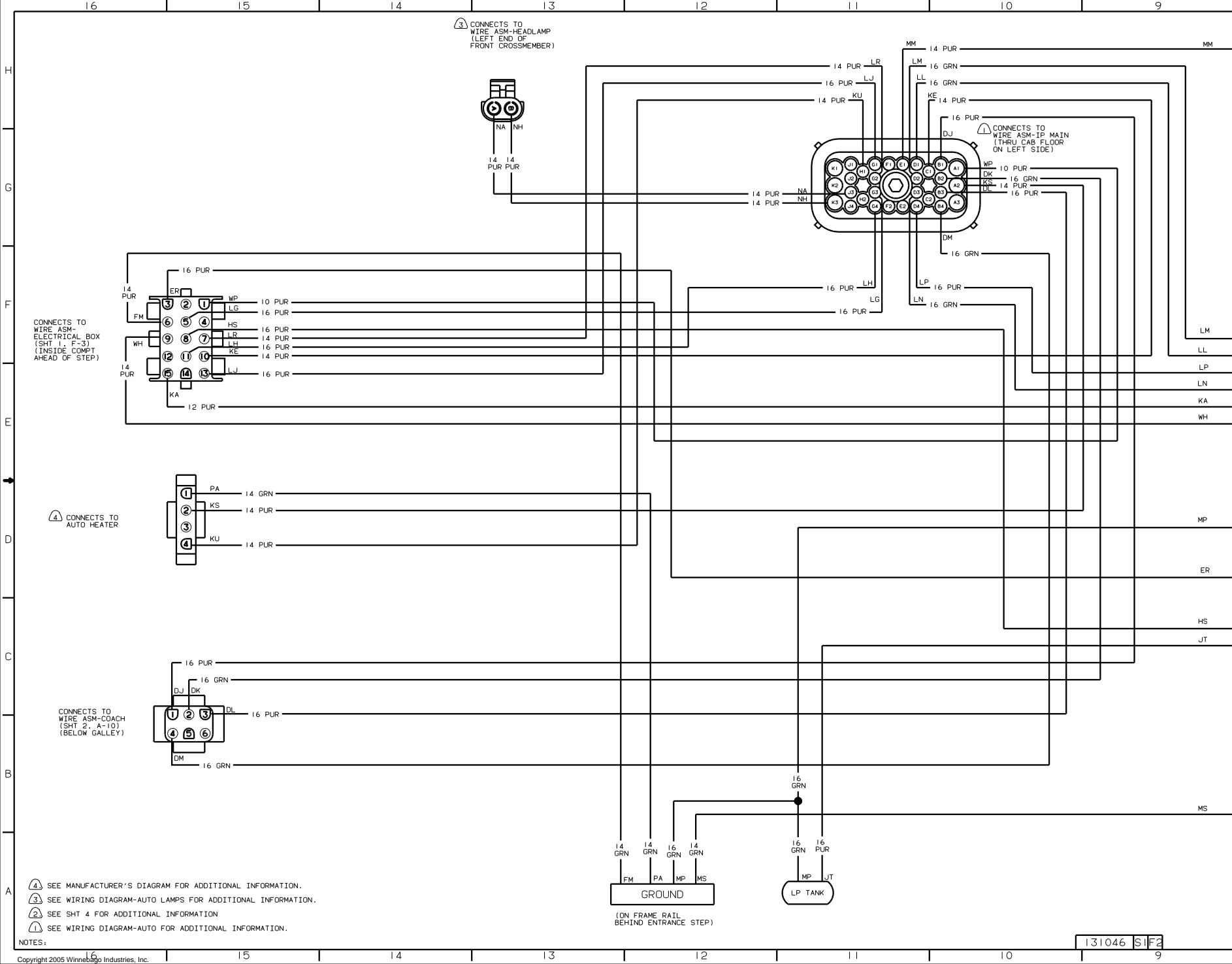
WINNEBAGO 99 L35C

TITLE: WIRING DIAGRAM-BODY.12V

SHEET 1 OF 7

REF: 130514-B 1

131046



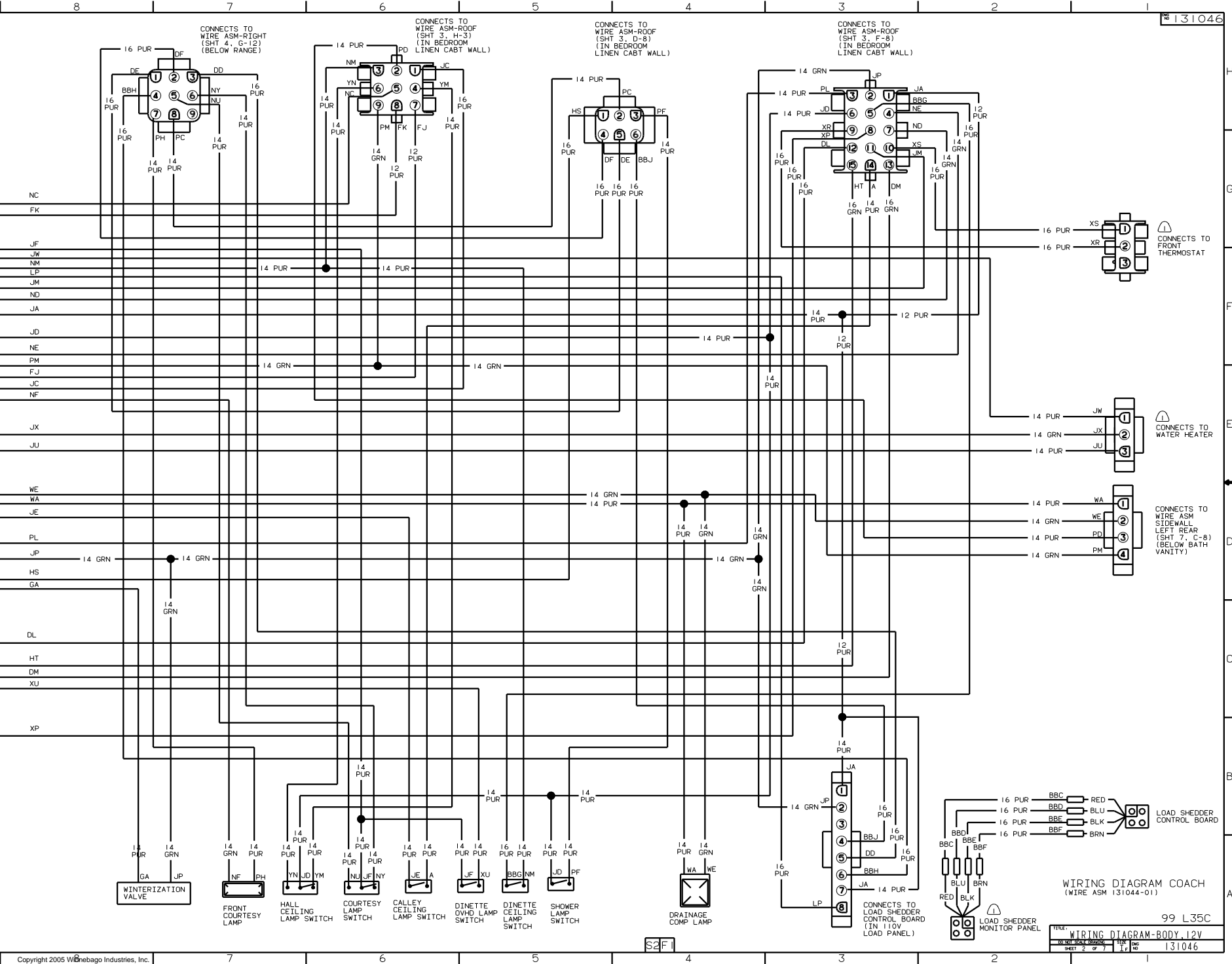
CONNECTS TO WIRE ASM-ELECTRICAL BOX (SHT 1, F-3) (INSIDE COMPT AHEAD OF STEP)

CONNECTS TO AUTO HEATER

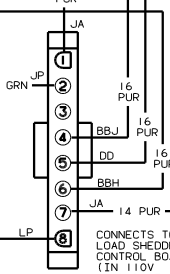
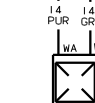
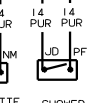
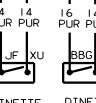
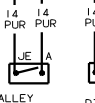
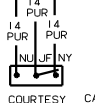
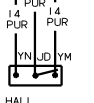
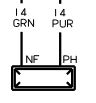
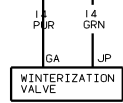
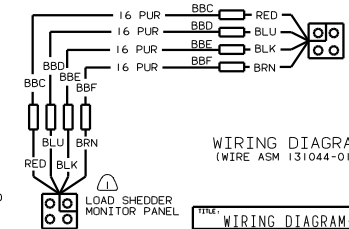
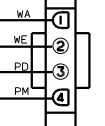
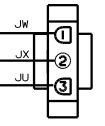
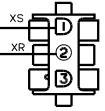
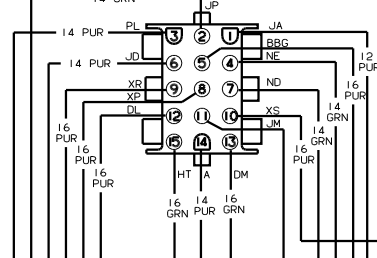
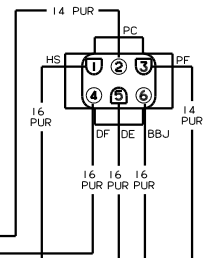
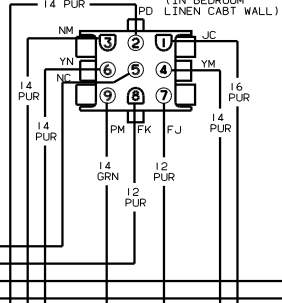
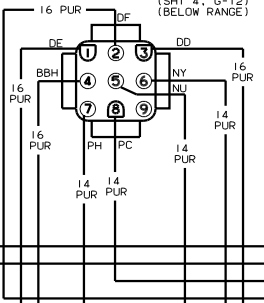
CONNECTS TO WIRE ASM-COACH (SHT 2, A-10) (BELOW GALLEY)

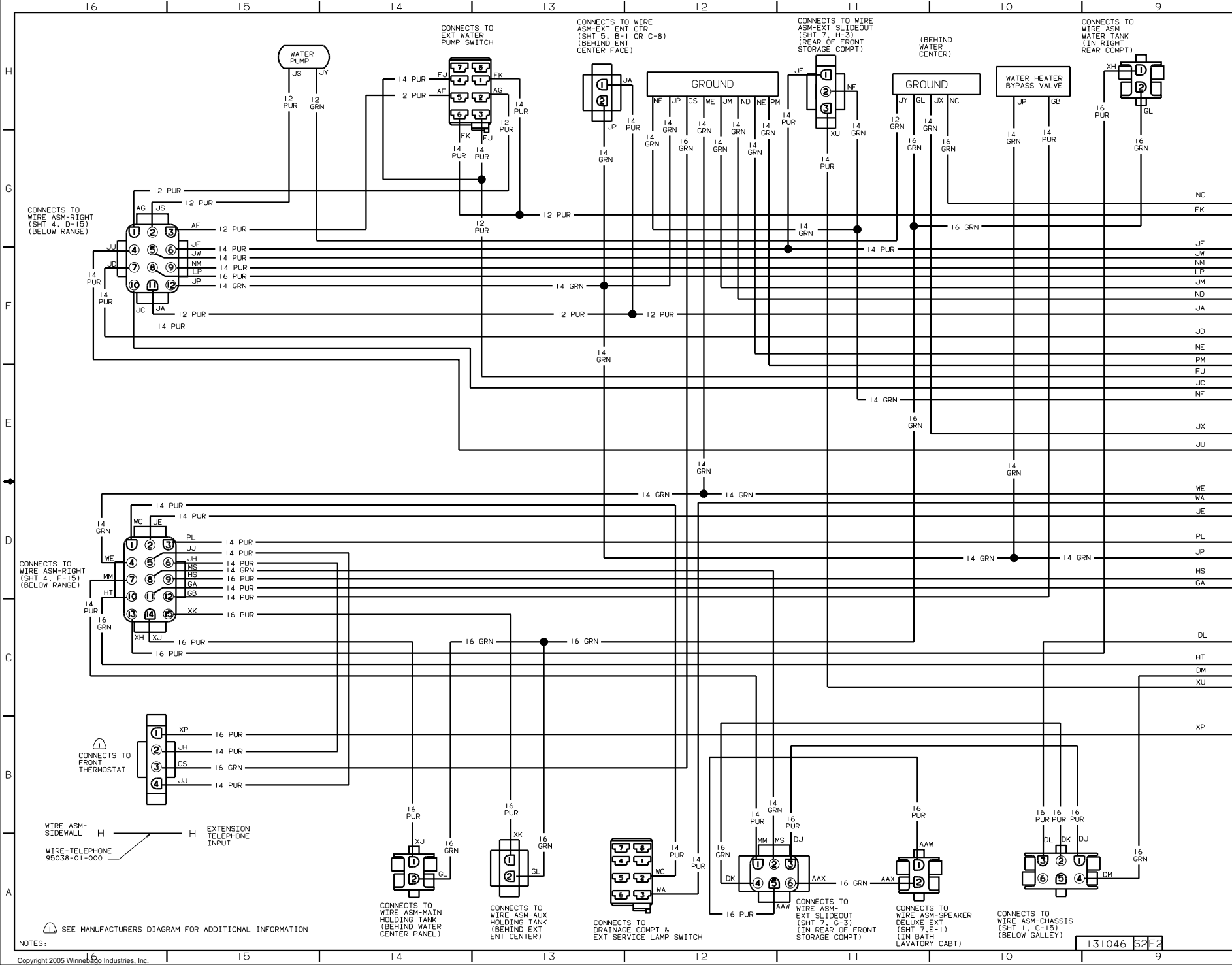
- 4 SEE MANUFACTURER'S DIAGRAM FOR ADDITIONAL INFORMATION.
- 3 SEE WIRING DIAGRAM-AUTO LAMPS FOR ADDITIONAL INFORMATION.
- 2 SEE SHT 4 FOR ADDITIONAL INFORMATION
- 1 SEE WIRING DIAGRAM-AUTO FOR ADDITIONAL INFORMATION.

NOTES:



NC  
FK  
JF  
JW  
NM  
LP  
JM  
ND  
JA  
JD  
NE  
PM  
FJ  
JC  
NF  
JX  
JU  
WE  
WA  
JE  
PL  
JP  
HS  
GA  
DL  
HT  
DM  
XU  
XP





CONNECTS TO WIRE ASM-RIGHT (SHT 4, D-15) (BELOW RANGE)

CONNECTS TO WIRE ASM-LEFT (SHT 4, F-15) (BELOW RANGE)

CONNECTS TO FRONT THERMOSTAT

WIRE ASM-SIDEWALL H EXTENSION TELEPHONE INPUT  
WIRE-TELEPHONE 95038-01-000

CONNECTS TO WIRE ASM-MAIN HOLDING TANK (BEHIND WATER CENTER PANEL)  
CONNECTS TO WIRE ASM-AUX HOLDING TANK (BEHIND EXT ENT CENTER)

CONNECTS TO DRAINAGE COMPT & EXT SERVICE LAMP SWITCH

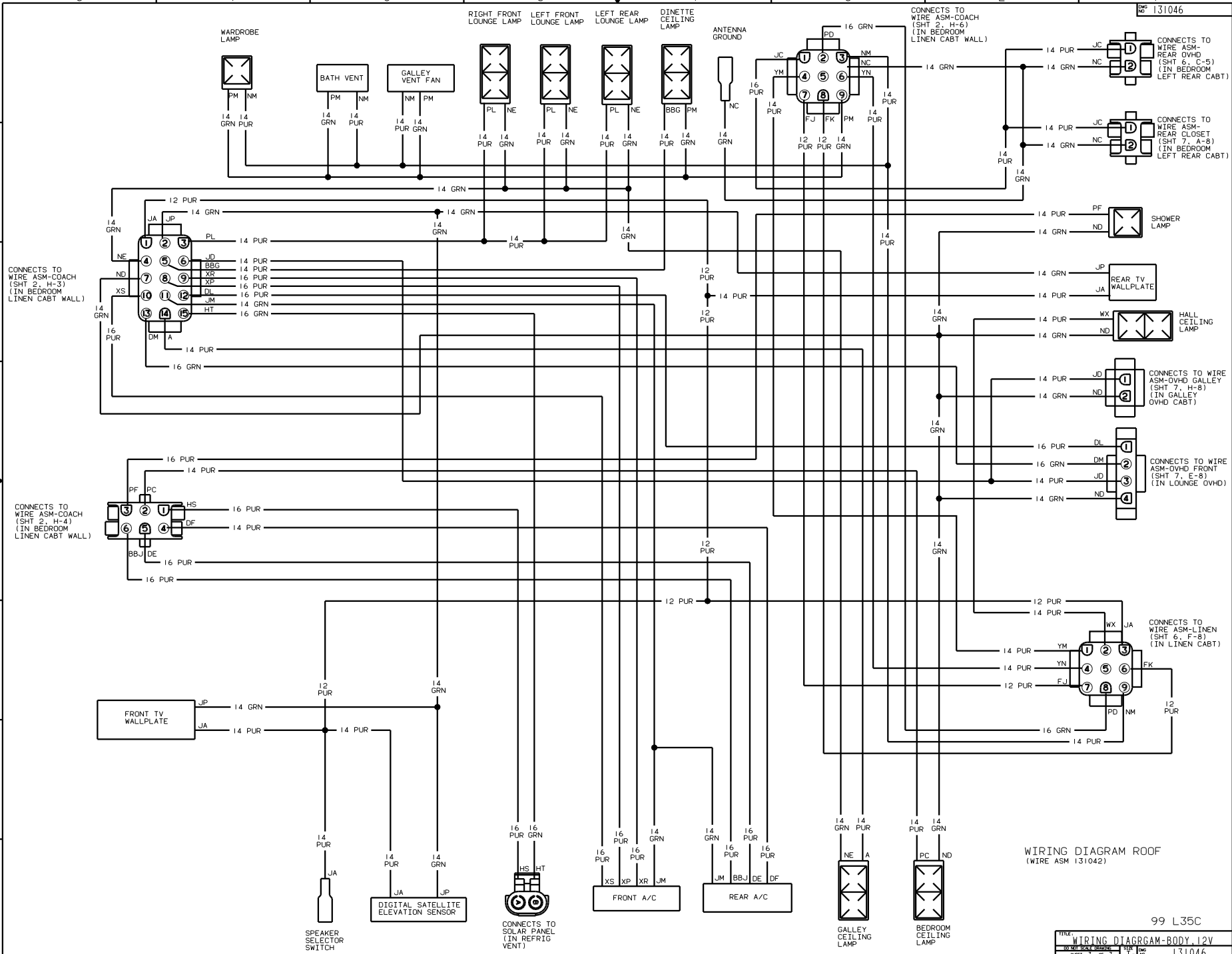
CONNECTS TO WIRE ASM-EXT SLIDEOUT (SHT 7, E-3) (IN REAR OF FRONT STORAGE COMPT)

CONNECTS TO WIRE ASM-SPEAKER DELUXE EXT (SHT 7, E-1) (IN BATH LAVATORY CABT)

CONNECTS TO WIRE ASM-CHASSIS (SHT 1, C-15) (BELOW GALLEY)

NOTES: SEE MANUFACTURERS DIAGRAM FOR ADDITIONAL INFORMATION

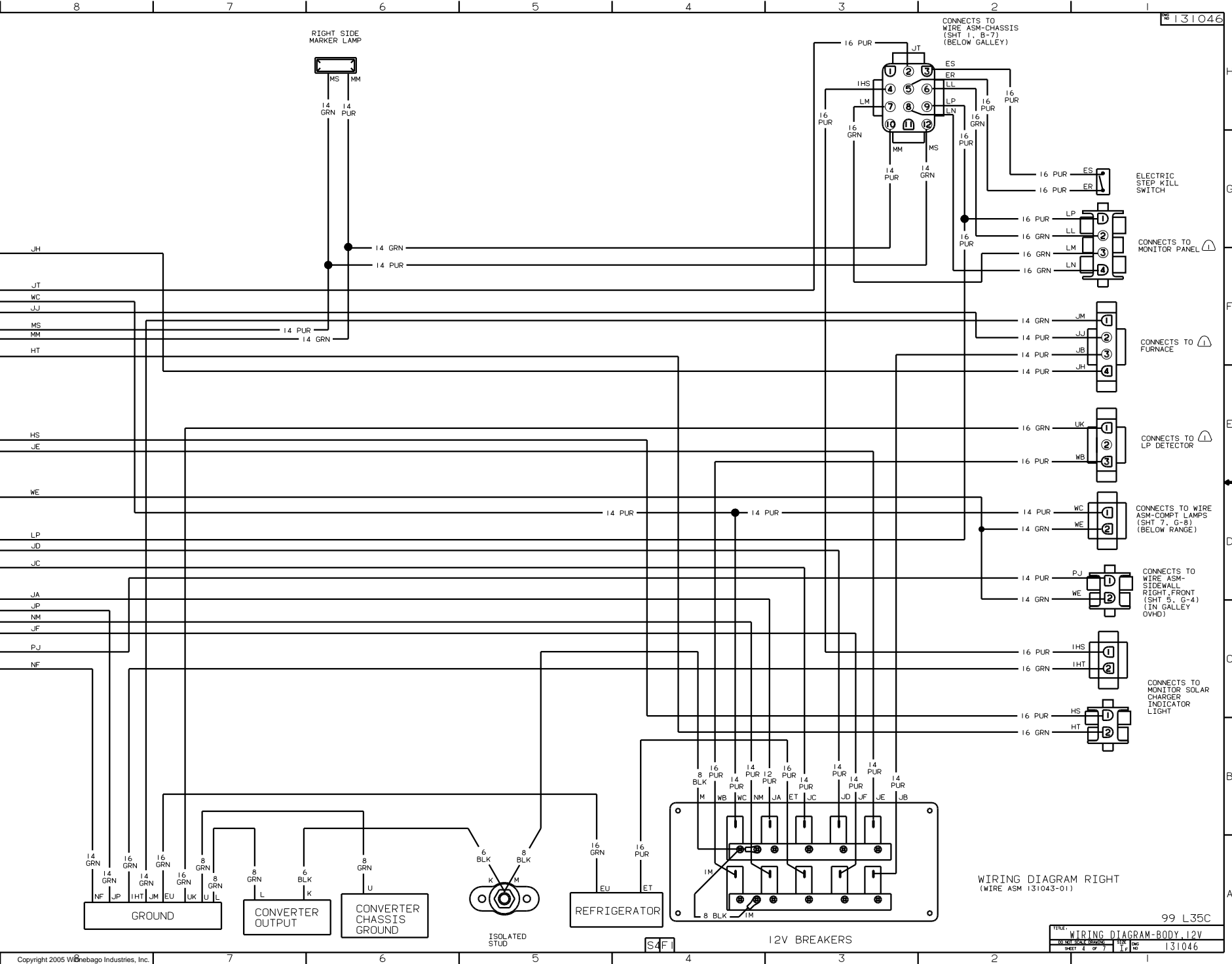
131046 S2F2



WIRING DIAGRAM ROOF  
(WIRE ASM 131042)

99 L35C

TITLE	WIRING DIAGRAM-BODY 12V
NO. OF SHEETS	16
SHEET NO.	3 OF 7
REV.	1.0
DATE	131046



RIGHT SIDE MARKER LAMP

CONNECTS TO WIRE ASM-CHASSIS (SHT 1, B-7) (BELOW GALLEY)

ELECTRIC STEP KILL SWITCH

CONNECTS TO MONITOR PANEL

CONNECTS TO FURNACE

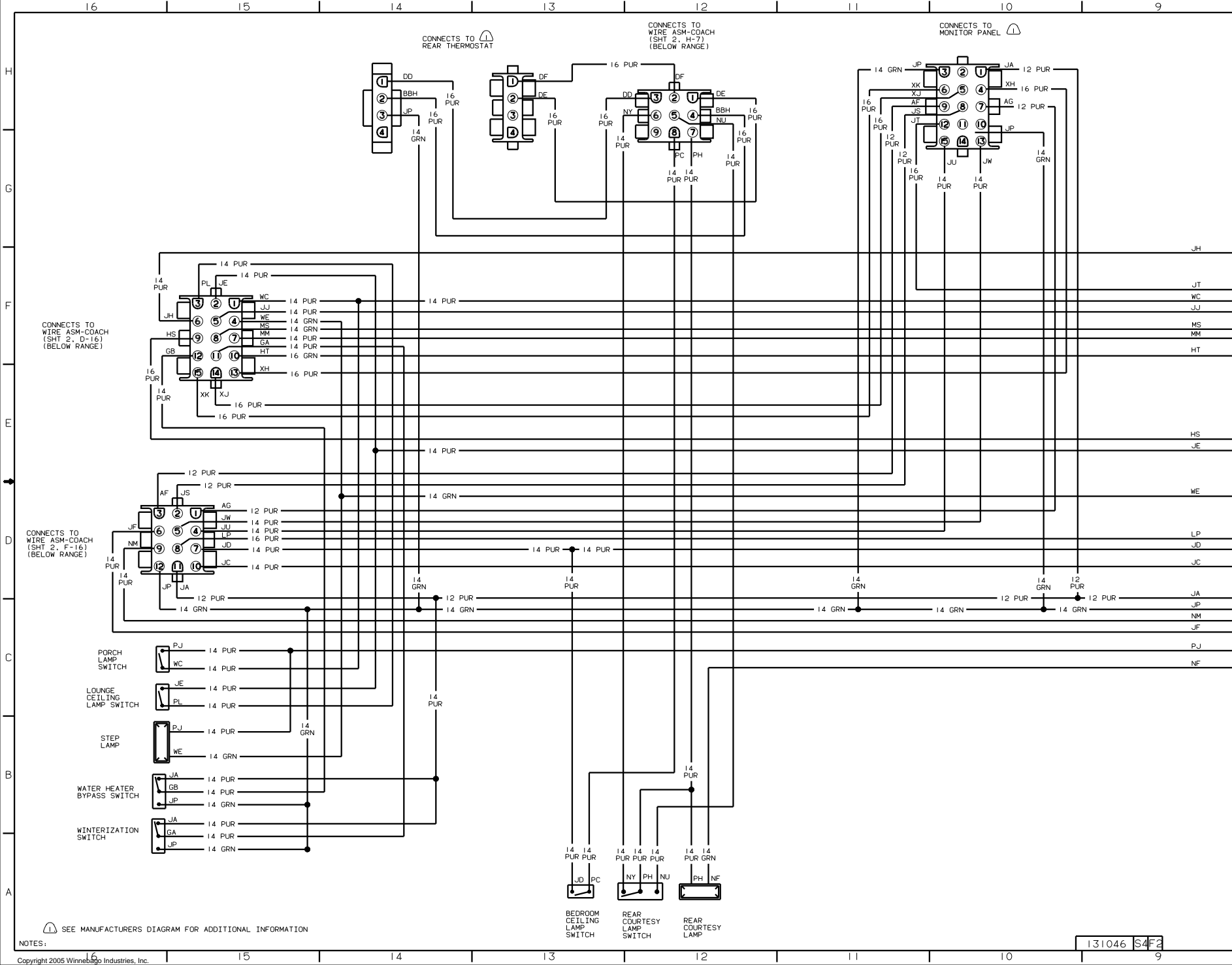
CONNECTS TO LP DETECTOR

CONNECTS TO WIRE ASM-COMPT LAMPS (SHT 7, G-8) (BELOW RANGE)

CONNECTS TO WIRE ASM-SIDEWALL RIGHT\_FRONT (SHT 5, G-4) (IN GALLEY OVHD)

CONNECTS TO MONITOR SOLAR CHARGER INDICATOR LIGHT

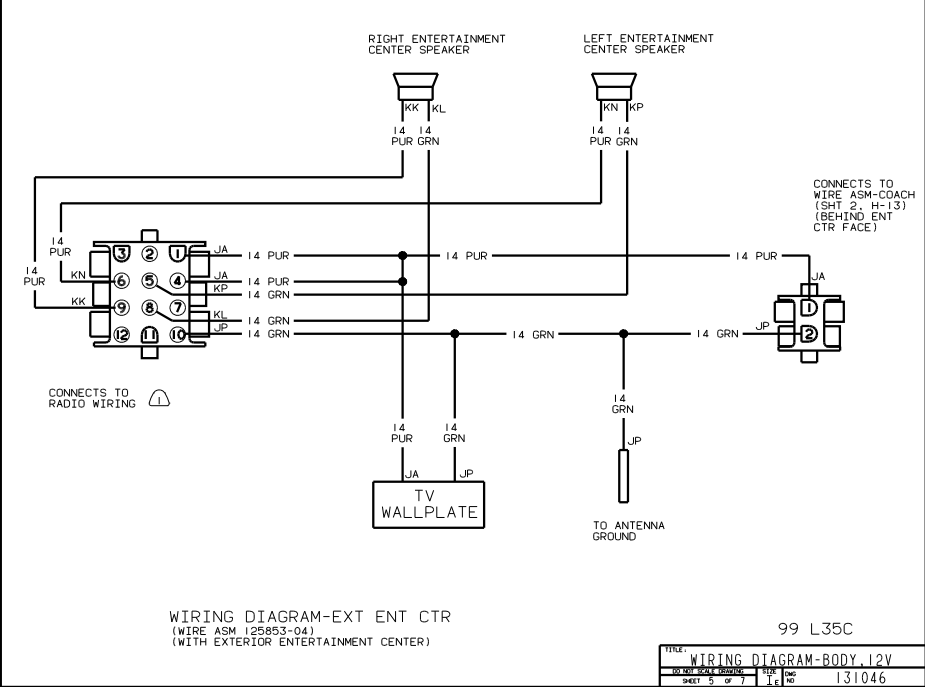
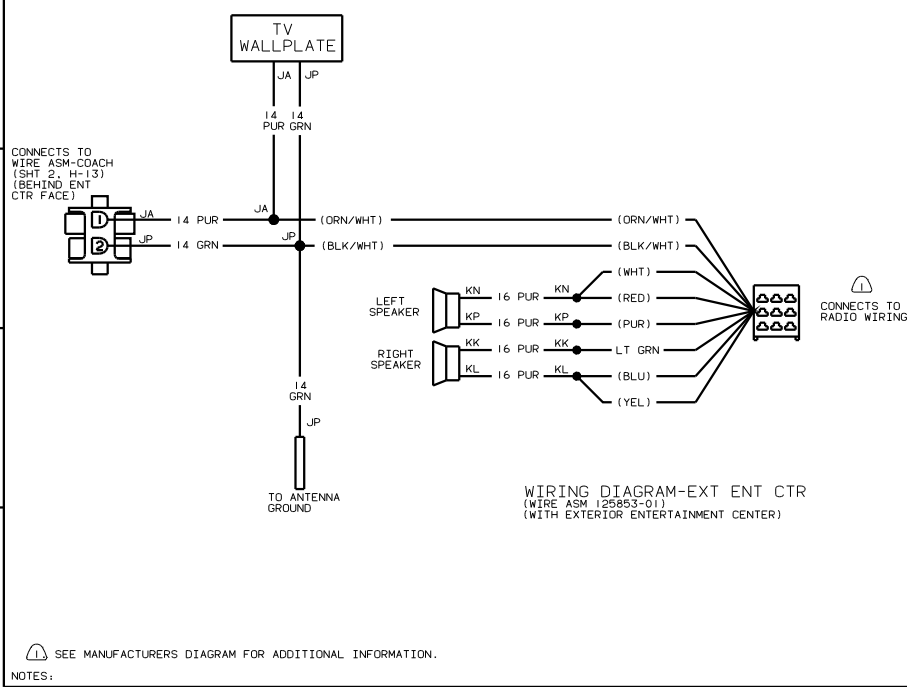
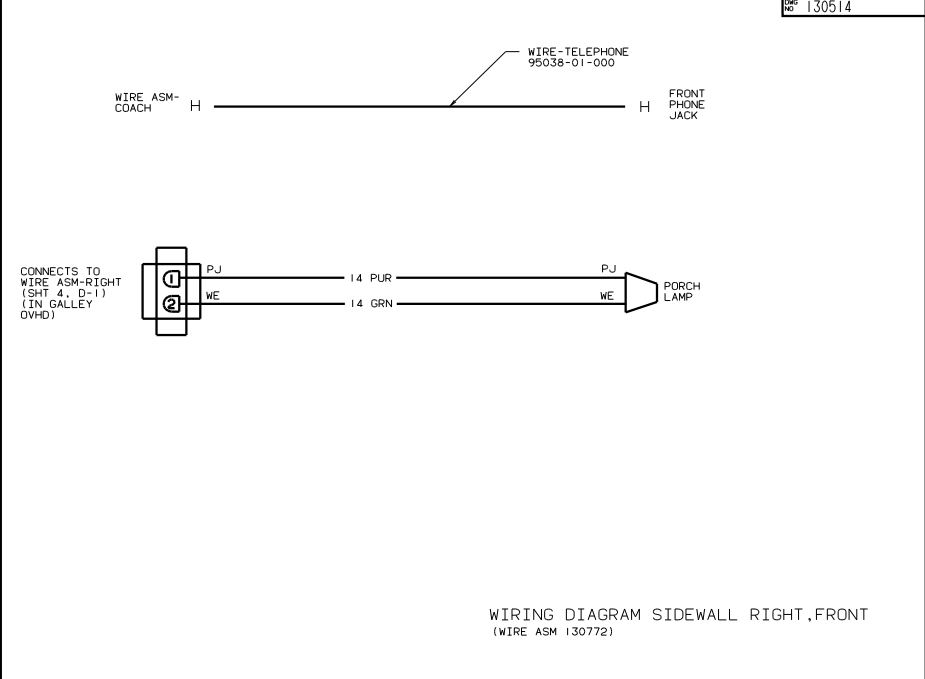
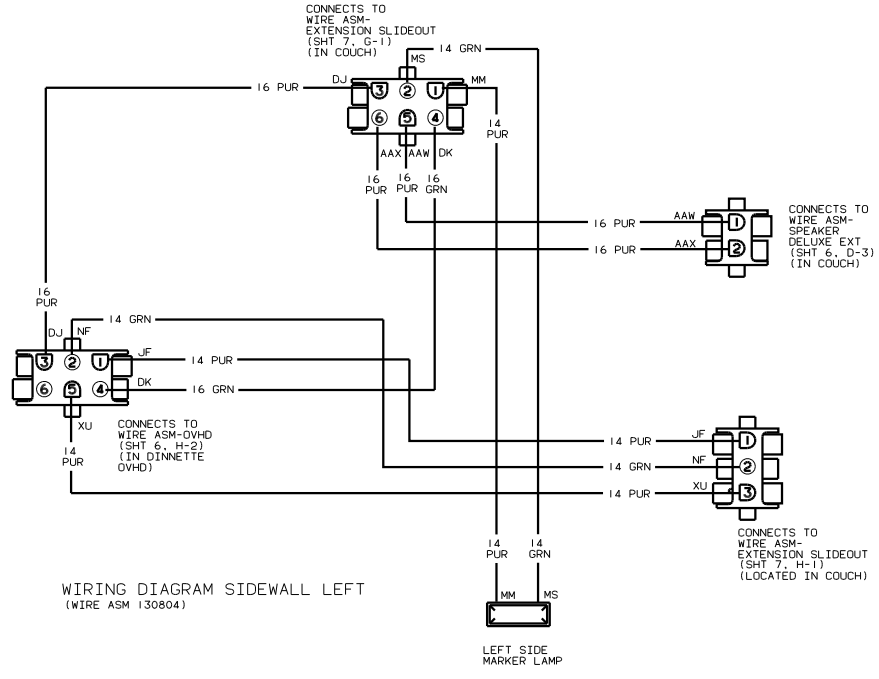
WIRING DIAGRAM RIGHT (WIRE ASM 131043-01)



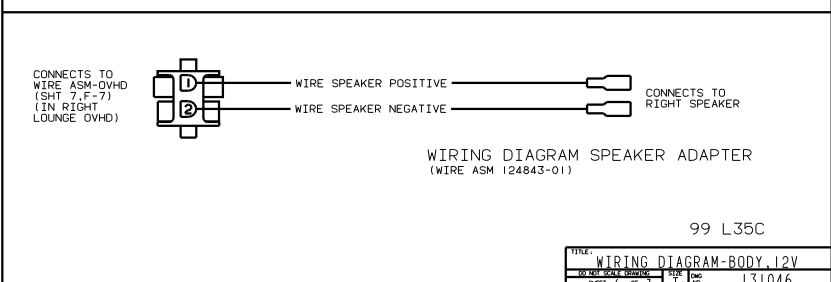
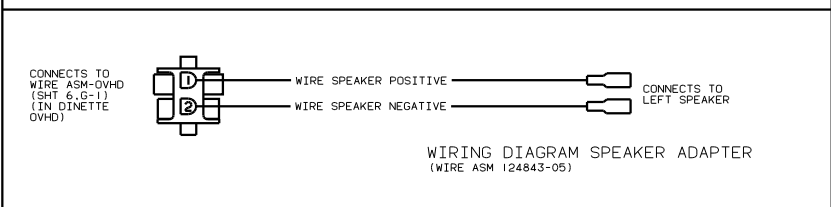
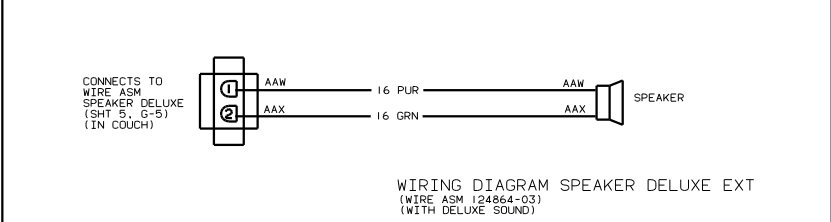
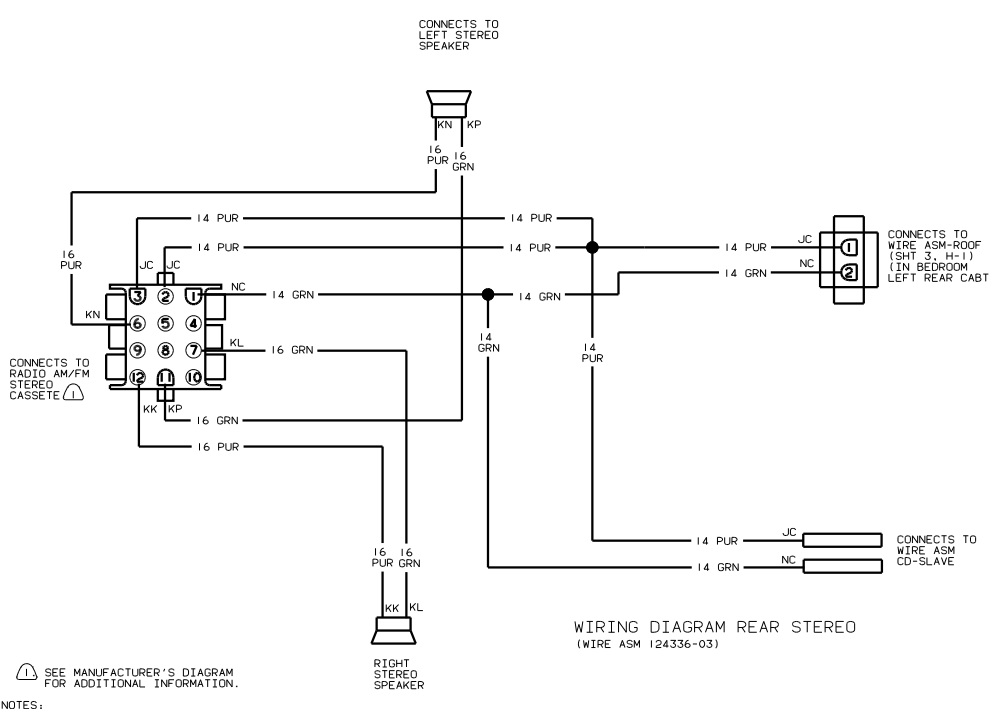
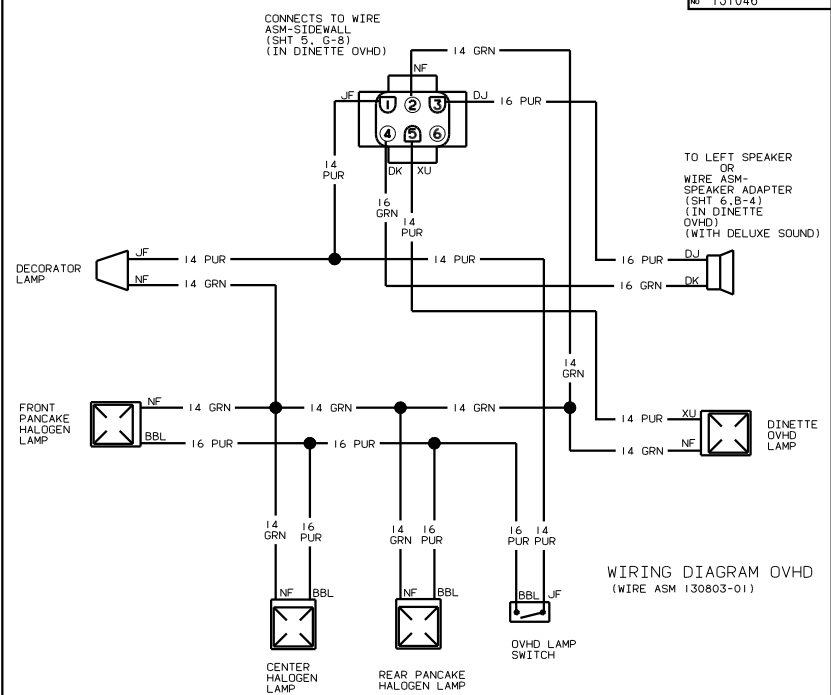
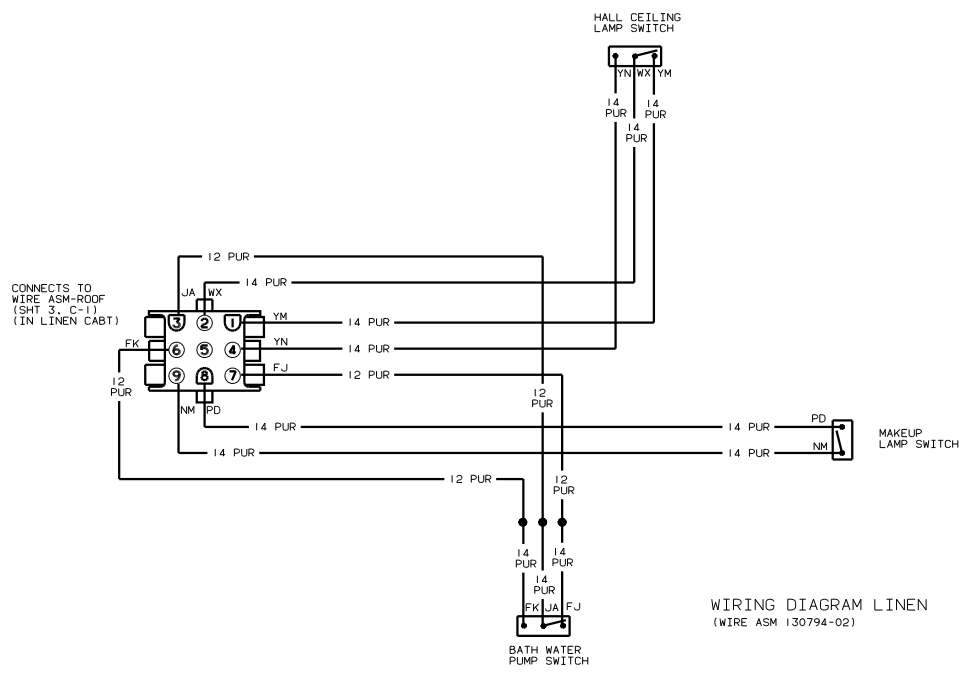
SEE MANUFACTURERS DIAGRAM FOR ADDITIONAL INFORMATION

NOTES:





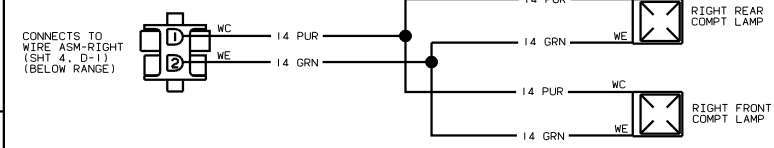
NOTES: SEE MANUFACTURERS DIAGRAM FOR ADDITIONAL INFORMATION.



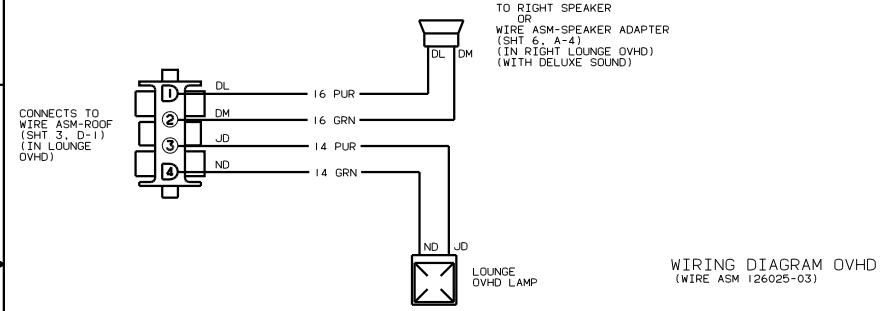
NOTES:  
SEE MANUFACTURER'S DIAGRAM FOR ADDITIONAL INFORMATION.



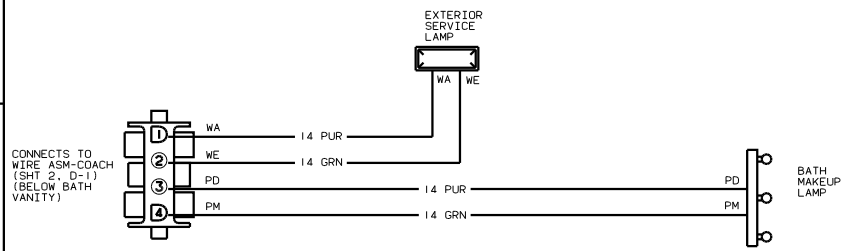
WIRING DIAGRAM-OVHD  
(WIRE ASM 77093-04)



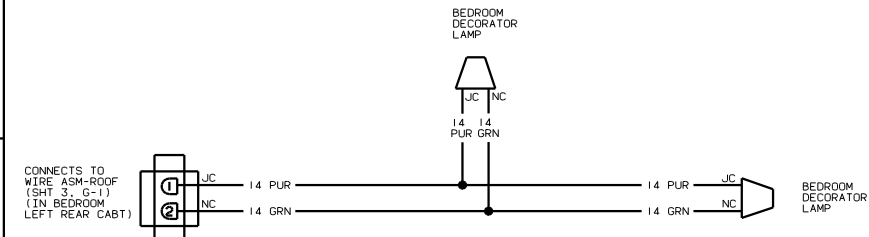
WIRING DIAGRAM COMPT LAMPS  
(WIRE ASM 130795)



WIRING DIAGRAM OVHD  
(WIRE ASM 126025-03)

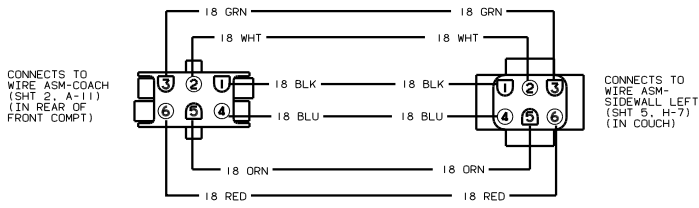
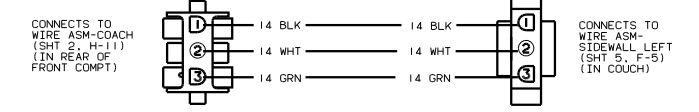


WIRING DIAGRAM SIDEWALL LEFT-REAR  
(WIRE ASM 123087-03)

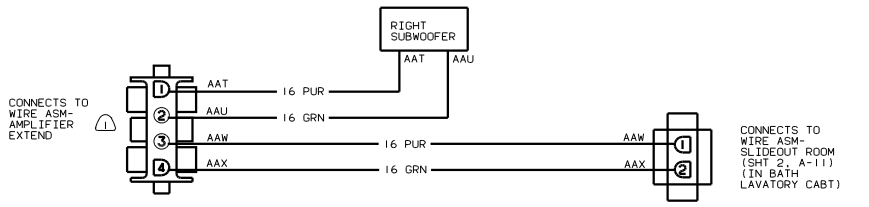


WIRING DIAGRAM-OVHD  
(WIRE ASM 122279-02)

NOTES:  
① SEE MANUFACTURER'S DIAGRAM FOR ADDITIONAL INFORMATION.



WIRING DIAGRAM-EXTENSION, SLIDEOUT  
(WIRE ASM 115818-03)



WIRING DIAGRAM SPEAKER, DELUXE-EXT  
(WIRE ASM 126087-03)

99 L35C

TITLE:		WIRING DIAGRAM-BODY_12V	
DO NOT SCALE DRAWING	DATE	REV	FILE NO
			131046
	SHEET 7	OF 7	1