



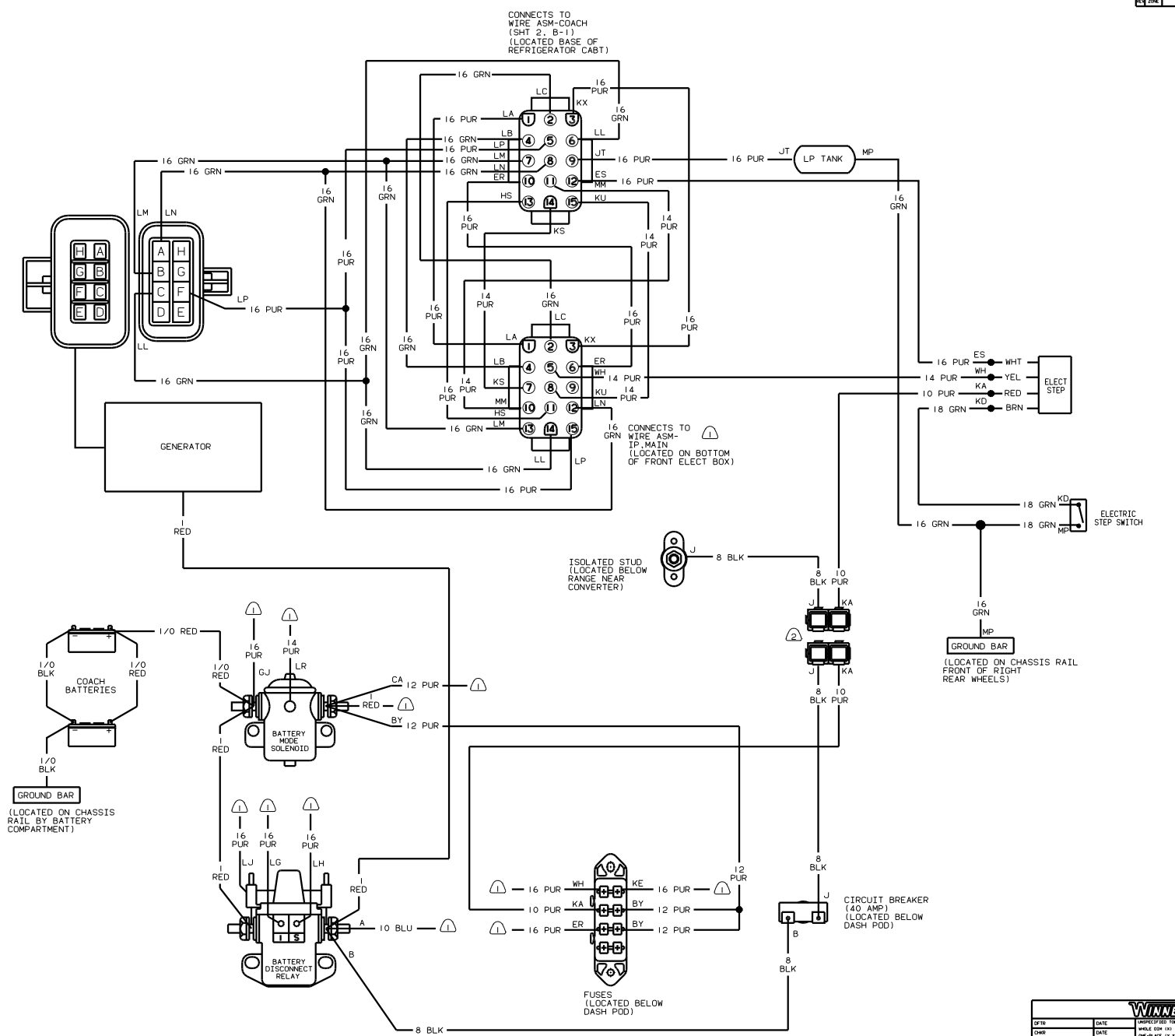
DANGER

Danger of electrical shock, burns or death. Always remove all power sources before attempting any repair, service or diagnostic work. Power can be present from shore power, generator, inverter or battery. All power sources must be disabled and secured before performing any service.



CAUTION

If you lack the skills, tools or equipment to perform diagnostic or repair work leave such work to an authorized Winnebago Industries dealer or other qualified shop.

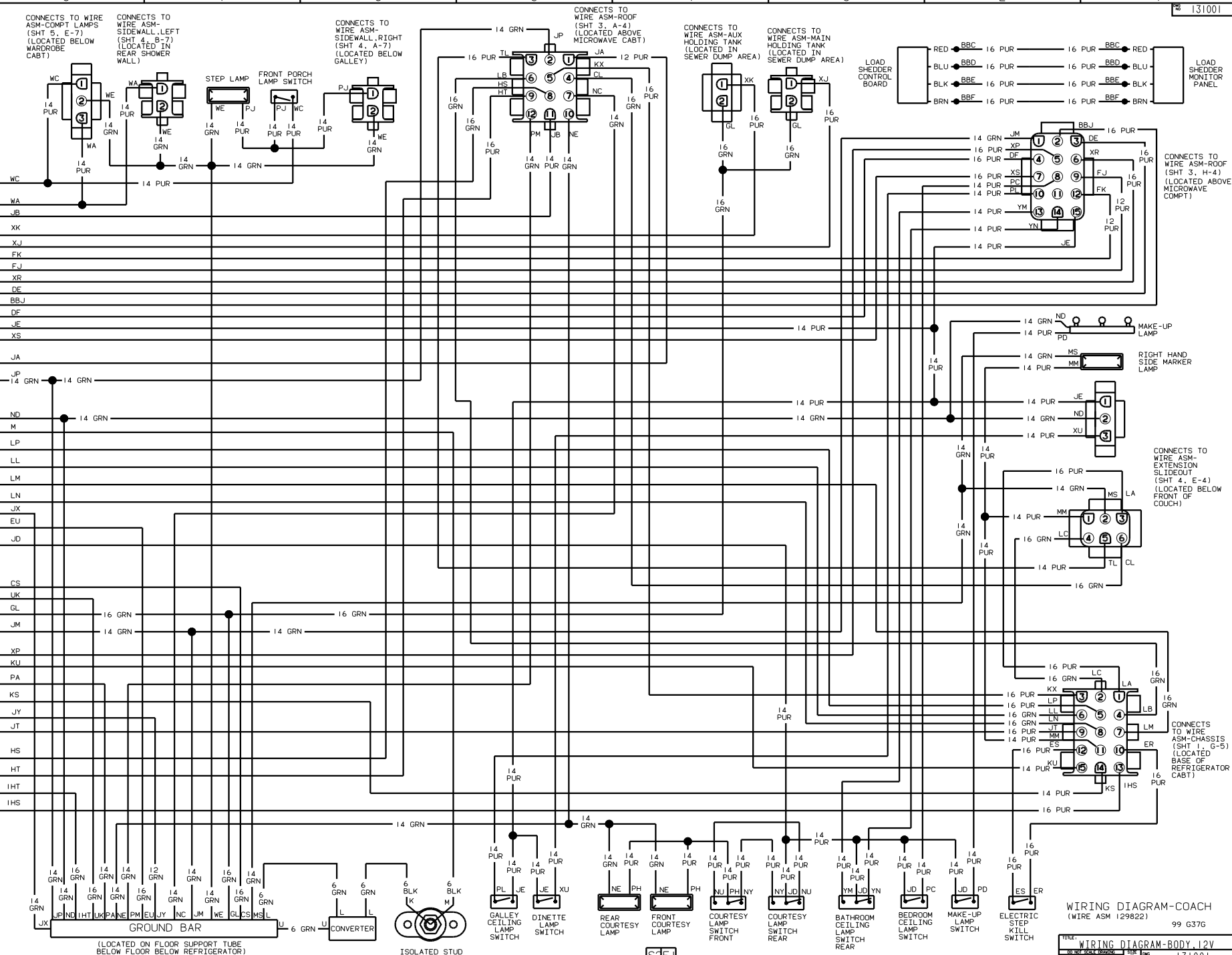


② CONNECTION MADE IN FRONT ELECTRICAL BOX.
 ⚠ SEE WIRING DIAGRAM-AUTO FOR ADDITIONAL INFORMATION.

WIRING DIAGRAM-CHASSIS
 (WIRE ASM 130033)

WINNEBAGO			99 G37G	
DATE	BY	REVISION	DESCRIPTION	MATERIAL
DATE	BY	REVISION	DESCRIPTION	MATERIAL
DATE	BY	REVISION	DESCRIPTION	MATERIAL
DATE	BY	REVISION	DESCRIPTION	MATERIAL
DATE	BY	REVISION	DESCRIPTION	MATERIAL
DATE	BY	REVISION	DESCRIPTION	MATERIAL

LAYOUT NO. _____ TITLE: WIRING DIAGRAM-BODY_12V
 DIA # _____ SCALE: NONE TO THE SCALE DRAWING
 ALL DIMENSIONS ARE IN MILLIMETERS SHEET 1 OF 5
 REF: 127469-A 131001



CONNECTS TO WIRE ASM-COMPT LAMPS (SHT 5, E-7) (LOCATED BELOW WARDROBE CABT)

CONNECTS TO WIRE ASM-SIDEWALL LEFT (SHT 4, B-7) (LOCATED IN REAR SHOWER WALL)

CONNECTS TO WIRE ASM-SIDEWALL, RIGHT (SHT 4, A-7) (LOCATED BELOW GALLEY)

CONNECTS TO WIRE ASM-ROOF (SHT 3, A-4) (LOCATED ABOVE MICROWAVE CABT)

CONNECTS TO WIRE ASM-AUX HOLDING TANK (LOCATED IN SEWER DUMP AREA)

CONNECTS TO WIRE ASM-MAIN HOLDING TANK (LOCATED IN SEWER DUMP AREA)

CONNECTS TO WIRE ASM-ROOF (SHT 3, A-4) (LOCATED ABOVE MICROWAVE COMPT)

CONNECTS TO WIRE ASM-EXTENSION SLIDEOUT (SHT 4, E-4) (LOCATED BELOW FRONT OF COUCH)

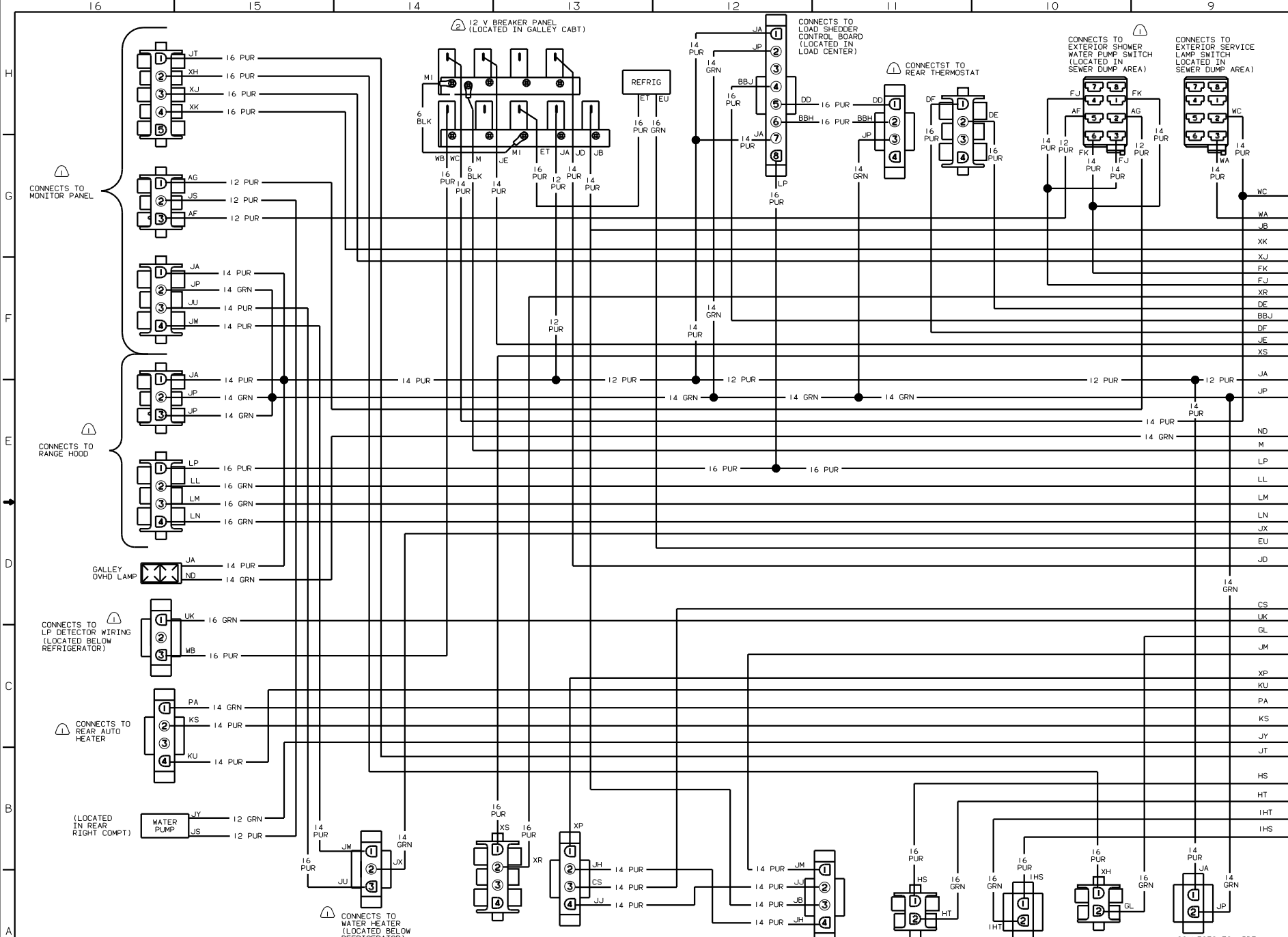
CONNECTS TO WIRE ASM-CHASSIS (SHT 1, G-5) (LOCATED BASE OF REFRIGERATOR CABT)

GROUND BAR (LOCATED ON FLOOR SUPPORT TUBE BELOW FLOOR BELOW REFRIGERATOR)

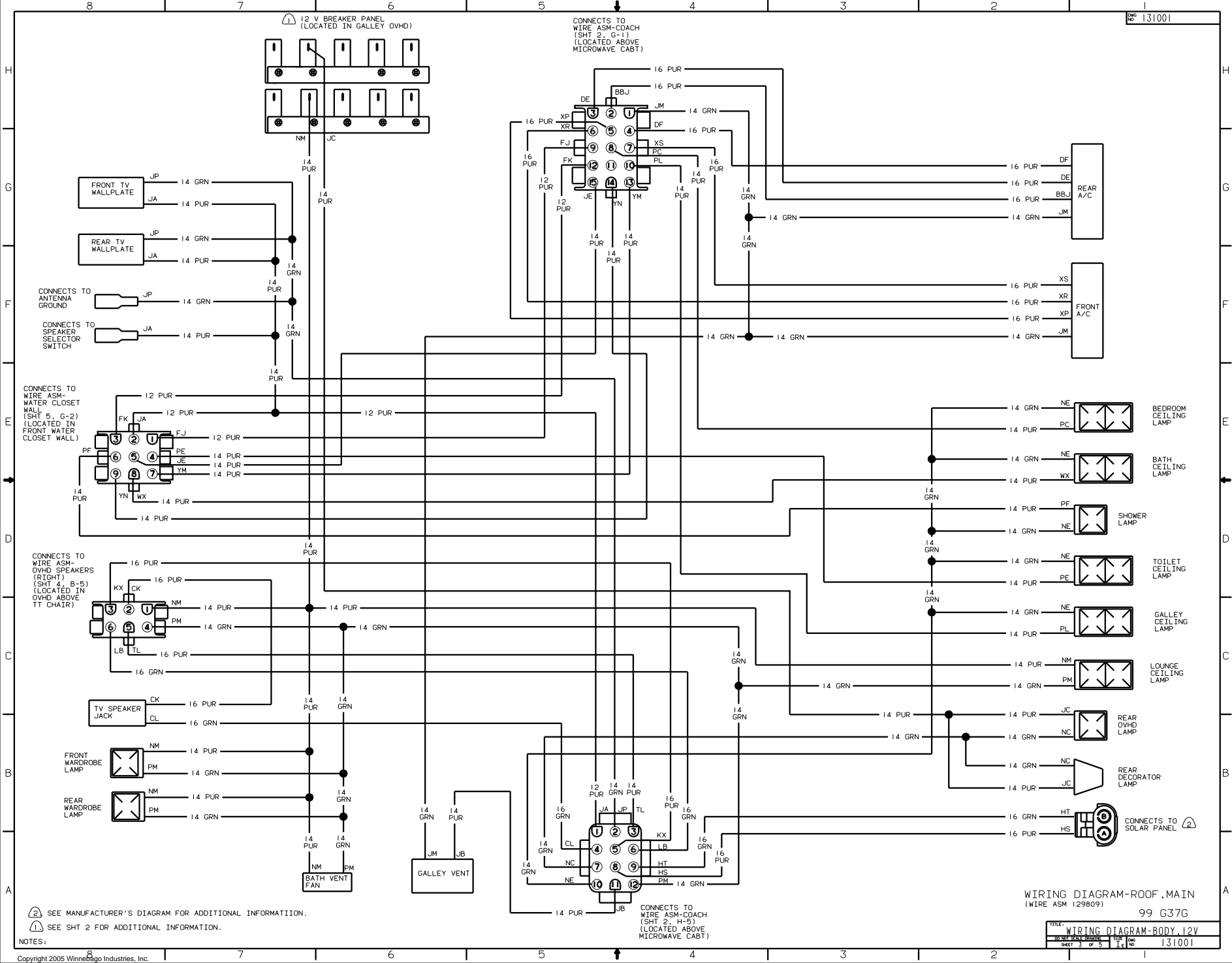
ISOLATED STUD

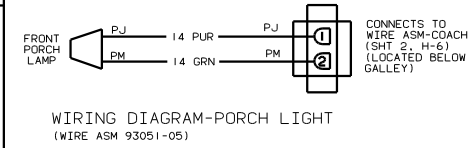
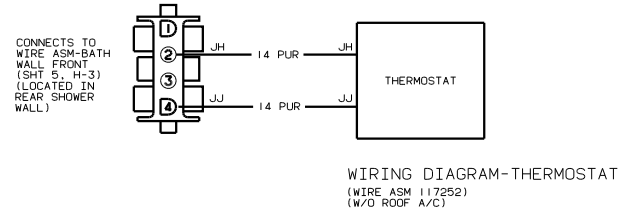
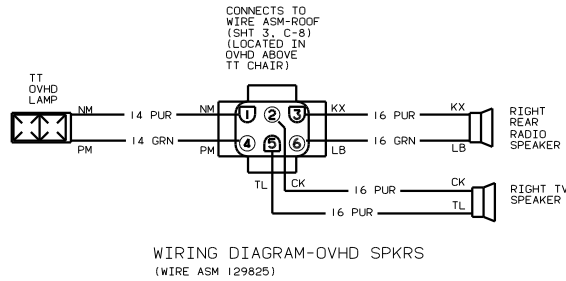
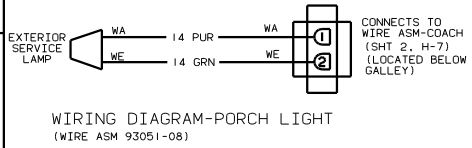
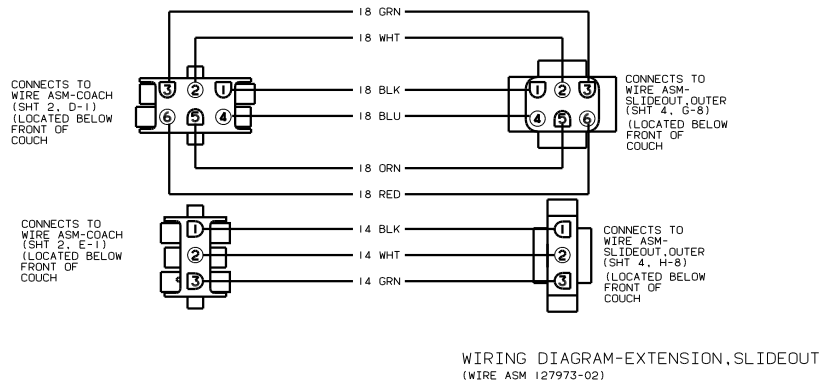
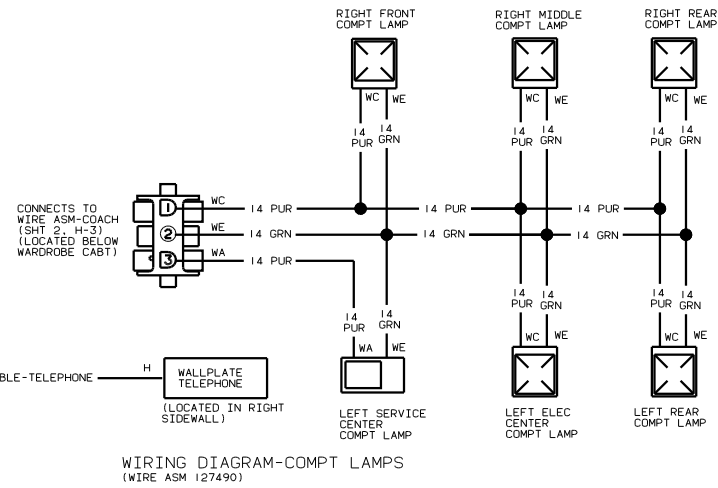
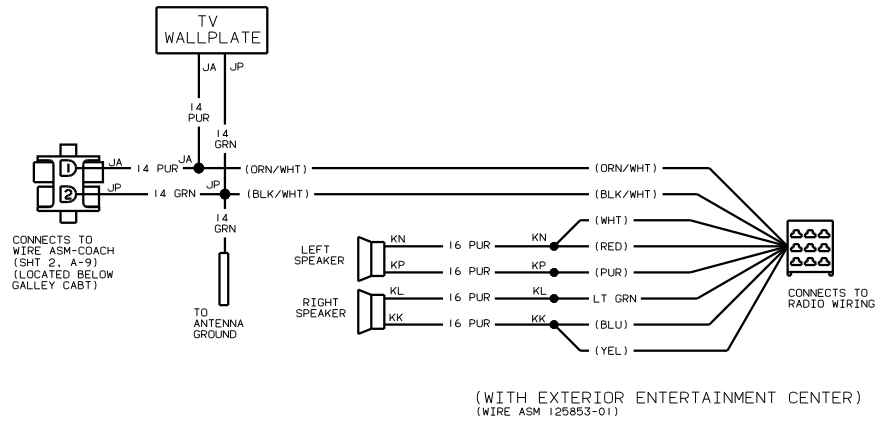
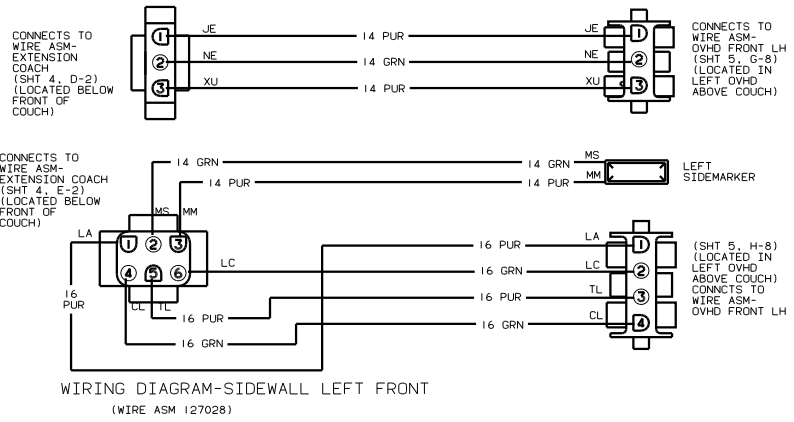
WIRING DIAGRAM-COACH (WIRE ASM 129822) 99 G37G

WIRING DIAGRAM-BODY, I2V SHEET 2 OF 5 131001

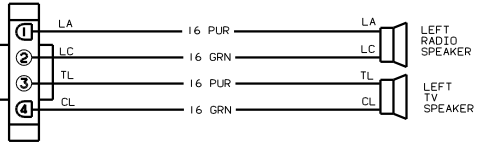


(2) SEE SHT 3 FOR ADDITIONAL INFORMATION.
 (1) SEE MANUFACTURER'S DIAGRAM FOR ADDITIONAL INFORMATION.

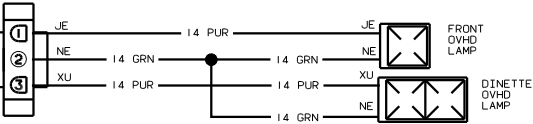




CONNECTS TO WIRE ASM-SIDEWALL LEFT FRONT (SHT 4, G-5) (LOCATED IN LEFT OVHD ABOVE COUCH)

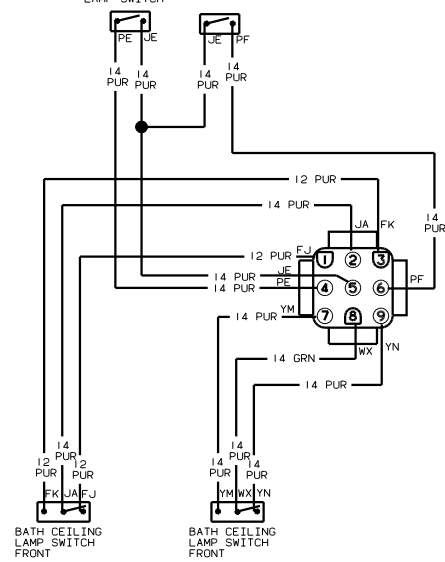


CONNECTS TO WIRE ASM-SIDEWALL LEFT FRONT (SHT 4, H-5) (LOCATED IN LEFT OVHD ABOVE COUCH)



WIRING DIAGRAM-OVHD, FRONT, LH
(WIRE ASM 127733)

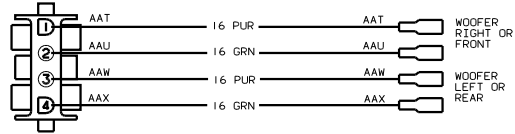
TOILET CEILING LAMP SWITCH



CONNECTS TO WIRE ASM-ROOF MAIN (SHT 3, E-8) (LOCATED IN FRONT WATER CLOSET WALL)

WIRING DIAGRAM-WATER CLOSET WALL
(WIRE ASM 129812)

CONNECTS TO AMPLIFIER



WIRING DIAGRAM-SPEAKER, DELUXE, EXT
(WIRE ASM 125898-07)

CONNECTS TO SPEAKER



WIRING DIAGRAM-SPEAKER, ADAPTER
(WIRE ASM 124843-01)
(WIRE ASM 124843-04)