



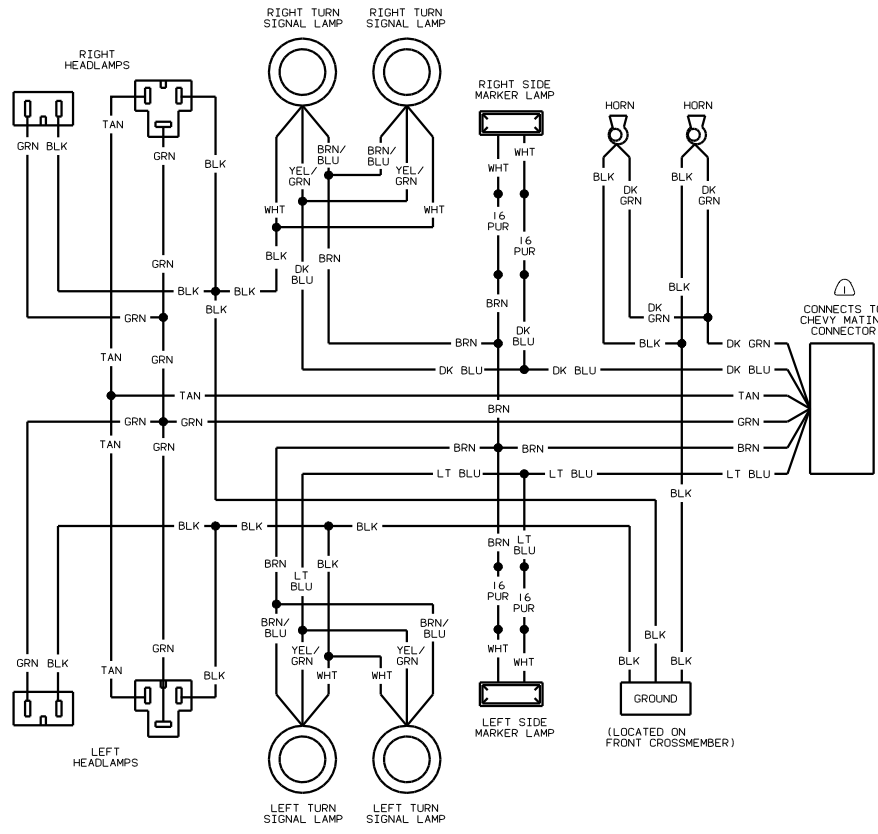
**DANGER**

**Danger of electrical shock, burns or death.** Always remove all power sources before attempting any repair, service or diagnostic work. Power can be present from shore power, generator, inverter or battery. All power sources must be disabled and secured before performing any service.

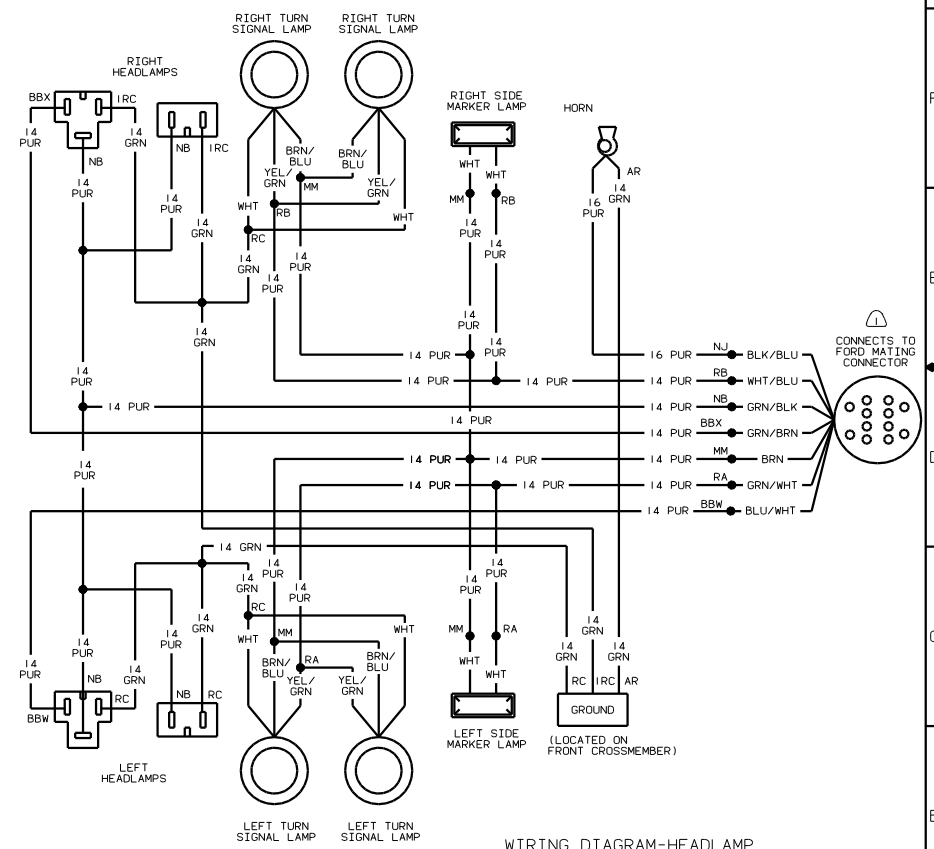


**CAUTION**

If you lack the skills, tools or equipment to perform diagnostic or repair work leave such work to an authorized Winnebago Industries dealer or other qualified shop.



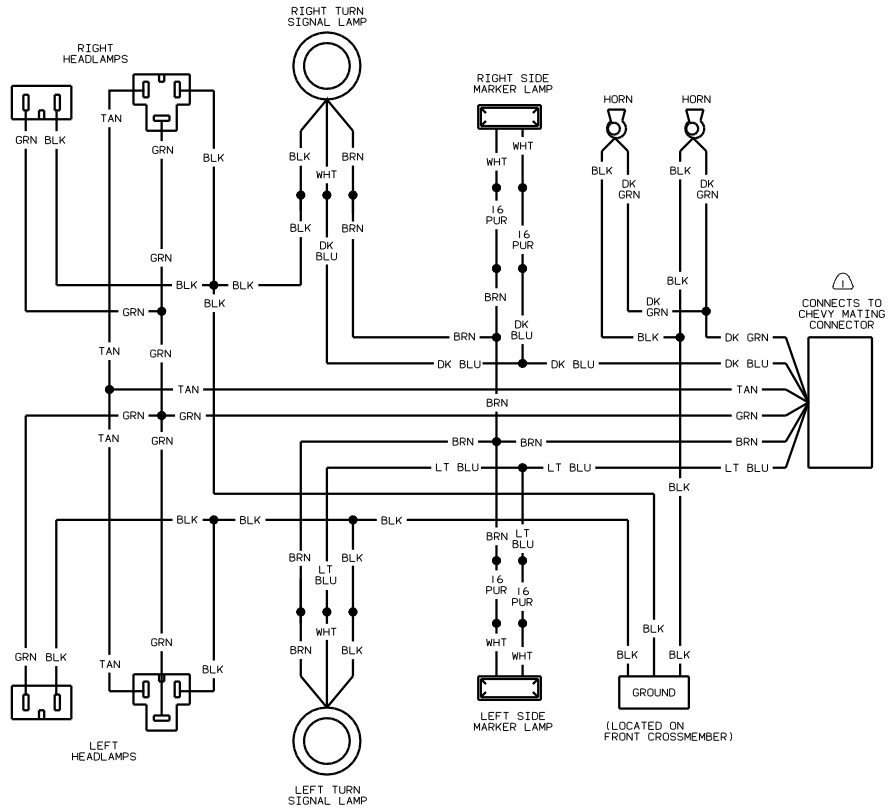
WIRING DIAGRAM-HEADLAMP  
(CHEVY CHASSIS)  
(WIRE ASM 103784-18)



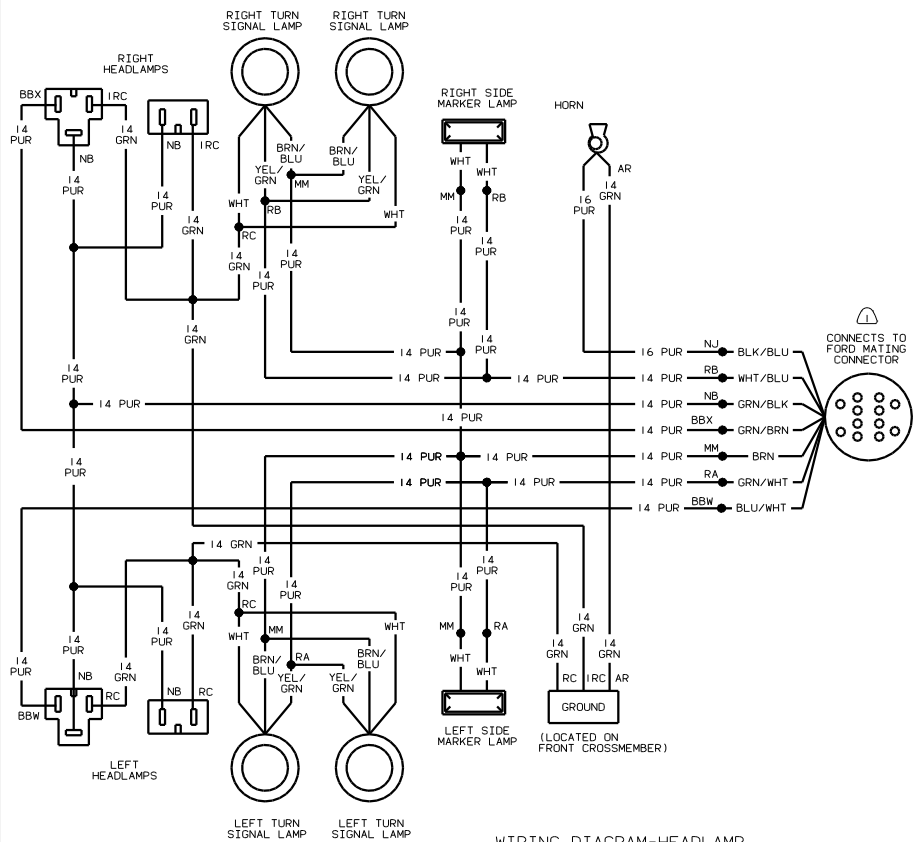
WIRING DIAGRAM-HEADLAMP  
(FORD CHASSIS)  
(WIRE ASM 103784-26)

G-SERIES  
WINNEBAGO

OF IN		DATE	UNSPECIFIED TOLERANCES ARE	MATERIAL
CHP	DATE	ONE-PLACE (19.21)		
PLP	DATE	TWO-PLACE (19.200)		
D/E	DATE	ANGLE		
CDP	DATE	INDU. W/AVE PRODUCTION		
LANE	DATE	TITLE	WIRING DIAGRAM-AUTO LAMPS	
REV	SCALE	NOTE	100% TO THE SCALE SHOWN	
SHEET 1		OF 7		FIG NO 130999



WIRING DIAGRAM-HEADLAMP  
(CHEVY CHASSIS)  
(WIRE ASM 103784-15)



WIRING DIAGRAM-HEADLAMP  
(FORD CHASSIS)  
(WIRE ASM 103784-25)

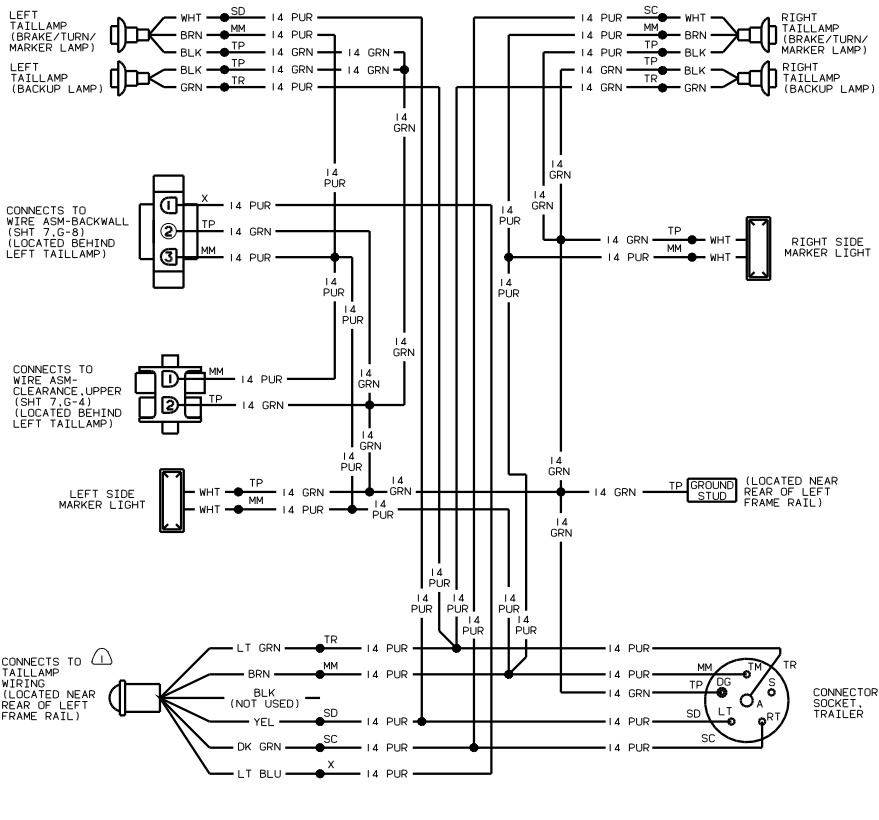
SEE MANUFACTURERS DIAGRAM FOR ADDITIONAL INFORMATION.

NOTES:

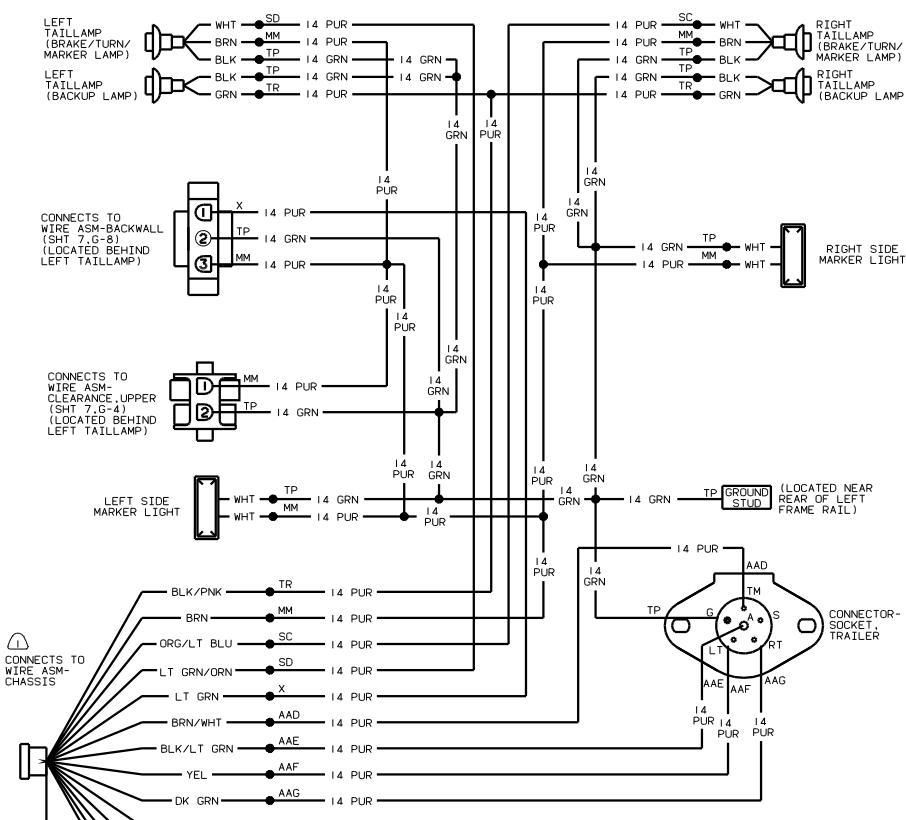
99 G-SERIES  
ITASCA

TITLE		WIRING DIAGRAM-AUTO LAMPS	
DATE	BY	CHK	APP
10/10/05	WJL	1.0	
SHEET 2 OF 7		130999	



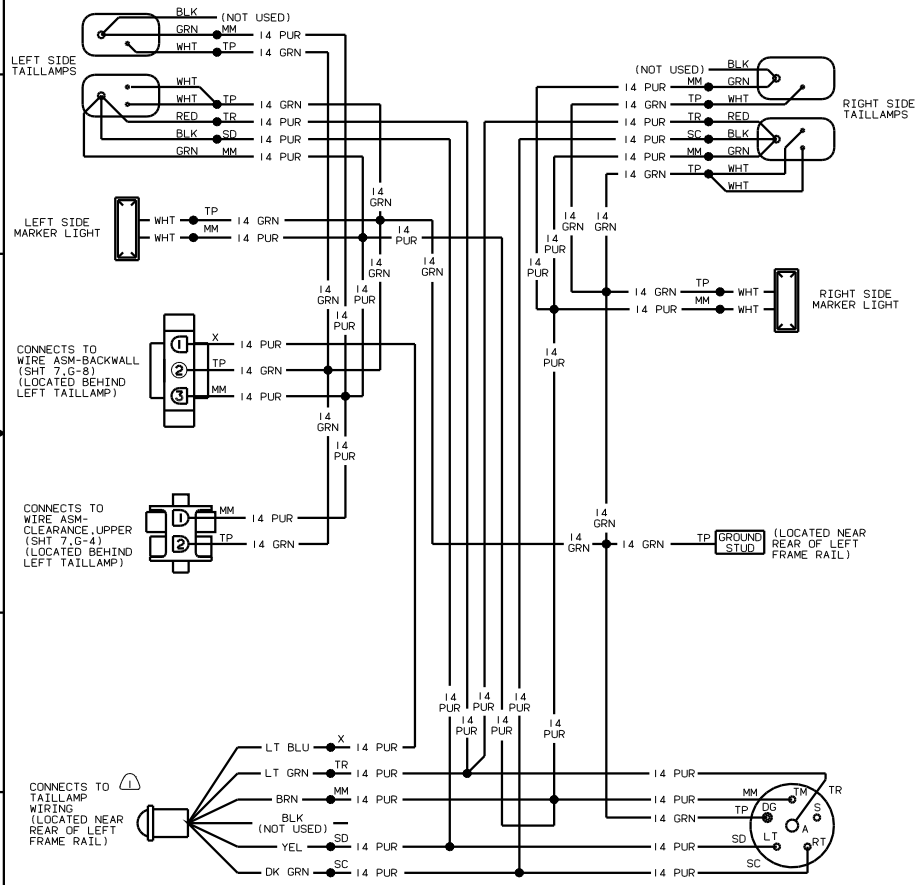


WIRING DIAGRAM-BACKWALL (CHEVY CHASSIS) (WIRE ASM 126241-01)



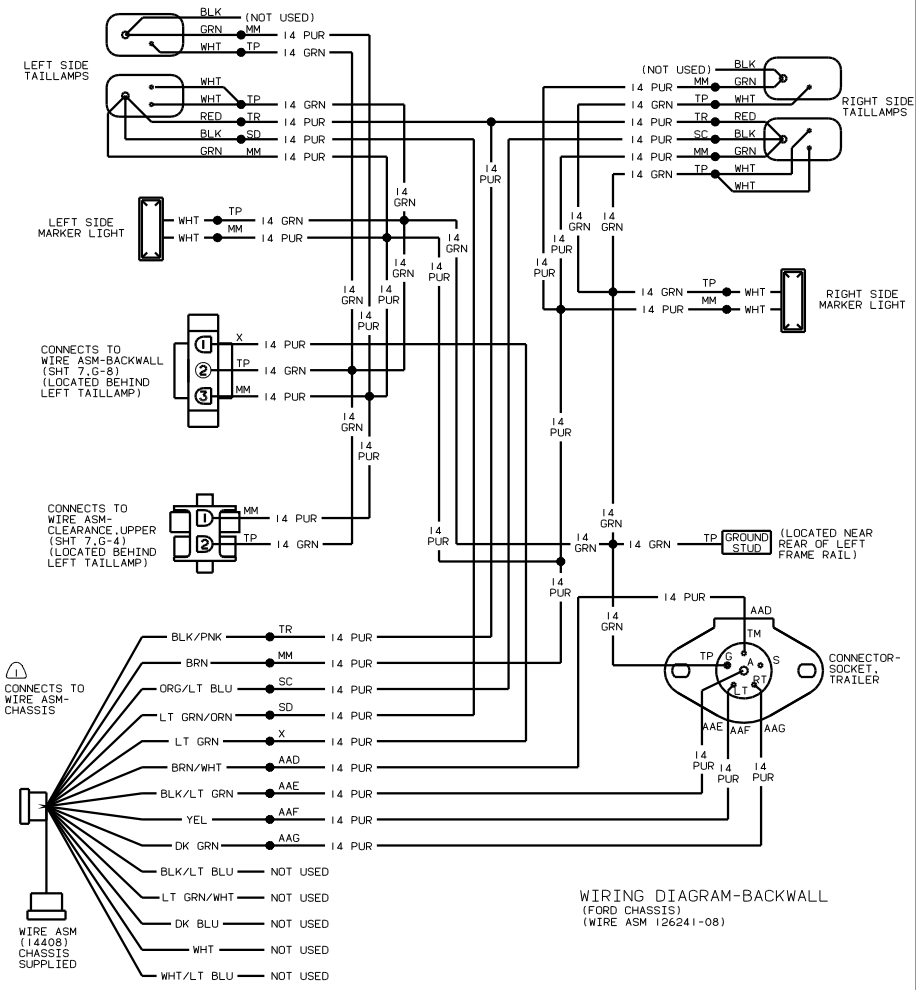
WIRING DIAGRAM-BACKWALL (FORD CHASSIS) (WIRE ASM 126241-07)

SEE MANUFACTURERS DIAGRAM FOR ADDITIONAL INFORMATION.

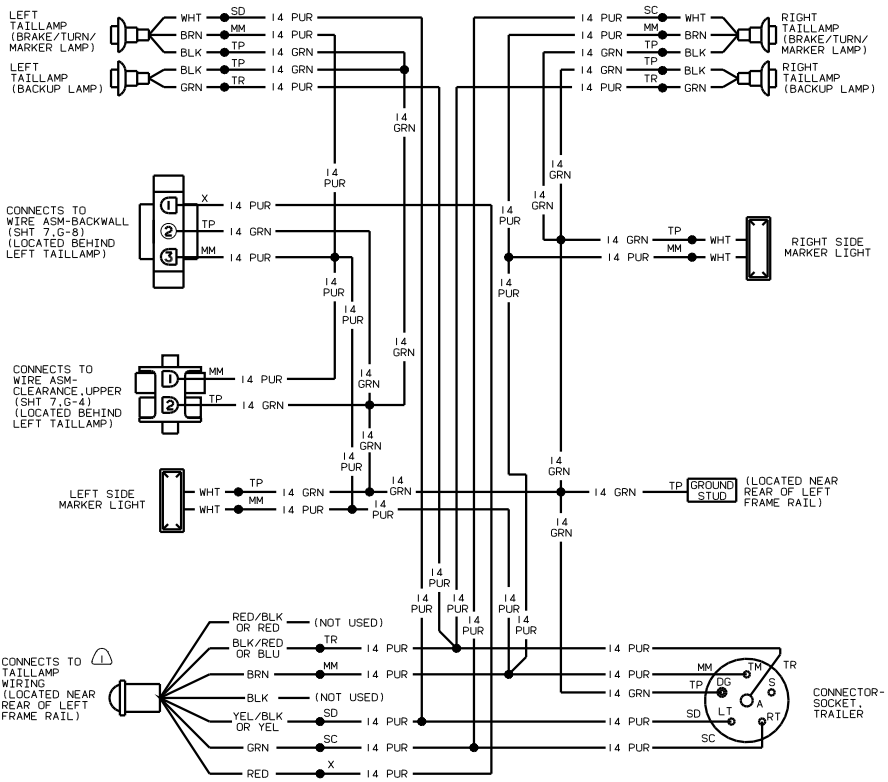


WIRING DIAGRAM-BACKWALL (CHEVY CHASSIS) (WIRE ASM 126241-03)

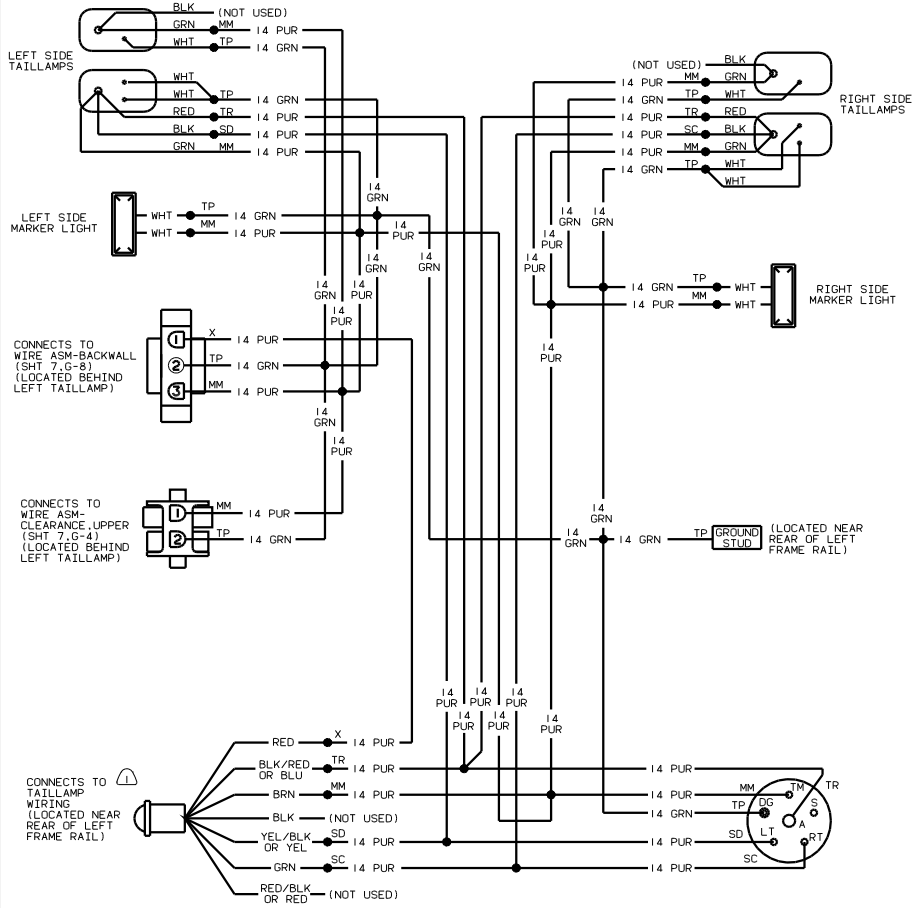
NOTES: SEE MANUFACTURERS DIAGRAM FOR ADDITIONAL INFORMATION.



WIRING DIAGRAM-BACKWALL (FORD CHASSIS) (WIRE ASM 126241-08)



WIRING DIAGRAM-BACKWALL  
 (WINNEBAGO)  
 FREIGHTLINER CHASSIS  
 (WIRE ASM 126241-05)

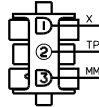


WIRING DIAGRAM-BACKWALL  
 (ITASCA)  
 FREIGHTLINER CHASSIS  
 (WIRE ASM 126241-06)

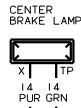
SEE MANUFACTURERS DIAGRAM FOR ADDITIONAL INFORMATION.

NOTES:

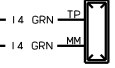
CONNECTS TO  
WIRE ASM-BACKWALL  
(SHT 4,E-8 & E-4)  
(SHT 5,E-8 & E-4)  
(SHT 6,E-8 & E-4)  
(LOCATED BEHIND  
LEFT TAILLAMP)



14 PUR  
14 GRN  
14 PUR



14 PUR  
14 GRN



14 GRN  
14 GRN

WIRING DIAGRAM-BACKWALL,DO  
(WIRE ASM-125952)

CONNECTS TO  
WIRE ASM-BACKWALL  
(SHT 4,D-8 & D-4)  
(SHT 5,D-8 & D-4)  
(SHT 6,D-8 & D-4)  
(LOCATED BEHIND  
LEFT TAILLAMP)



14 PUR  
14 GRN



14 PUR  
14 GRN



14 PUR  
14 GRN



14 PUR  
14 GRN



14 PUR  
14 GRN

CONNECTS TO  
WIRE ASM-CLEARANCE, UPPER  
(SHT 7,F-4)  
(LOCATED NEAR  
CENTER OF UPPER  
HORSESHOE TRIM)

WIRING DIAGRAM-CLEARANCE, UPPER  
(WIRE ASM 125975-01)

CONNECTS TO  
WIRE ASM-CLEARANCE, UPPER  
(SHT 7,G-1)  
(LOCATED NEAR  
CENTER OF UPPER  
HORSESHOE TRIM)



14 PUR  
14 GRN



14 PUR  
14 GRN



14 PUR  
14 GRN

WIRING DIAGRAM-CLEARANCE, UPPER  
(WIRE ASM 125975-02)