



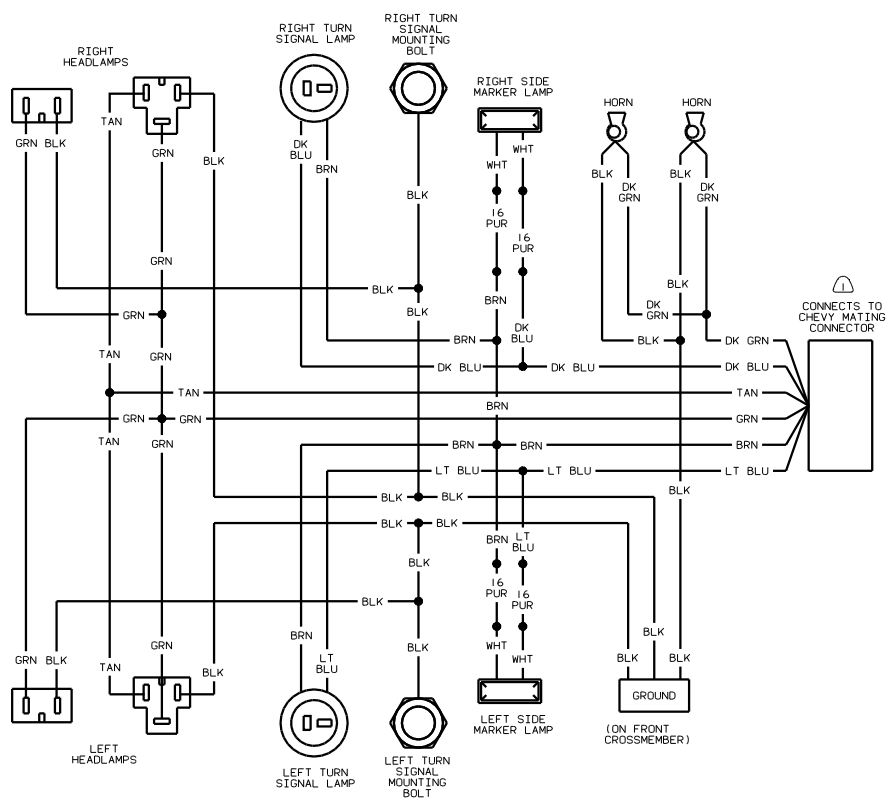
**DANGER**

**Danger of electrical shock, burns or death.** Always remove all power sources before attempting any repair, service or diagnostic work. Power can be present from shore power, generator, inverter or battery. All power sources must be disabled and secured before performing any service.

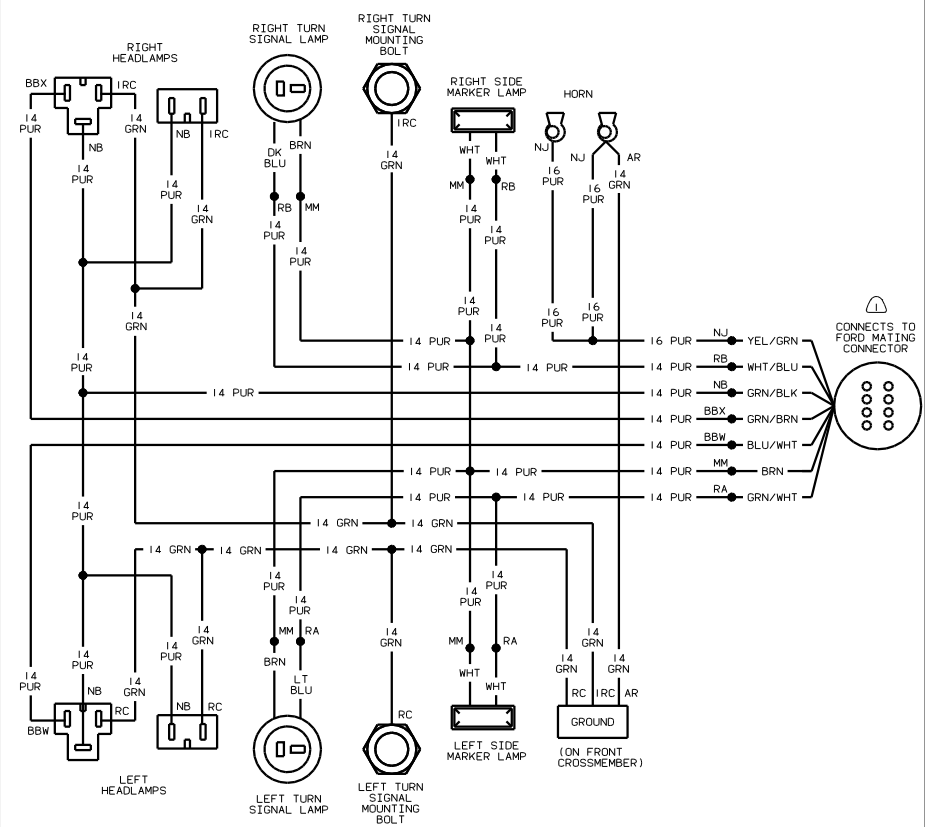


**CAUTION**

If you lack the skills, tools or equipment to perform diagnostic or repair work leave such work to an authorized Winnebago Industries dealer or other qualified shop.



WIRING DIAGRAM-HEADLAMP  
 (CHEVY CHASSIS)  
 (WIRE ASM 103784-01)



WIRING DIAGRAM-HEADLAMP  
 (FORD CHASSIS)  
 (WIRE ASM 103784-21)

F-SERIES  
 WINNEBAGO

SEE MANUFACTURER'S DIAGRAM FOR ADDITIONAL INFORMATION.

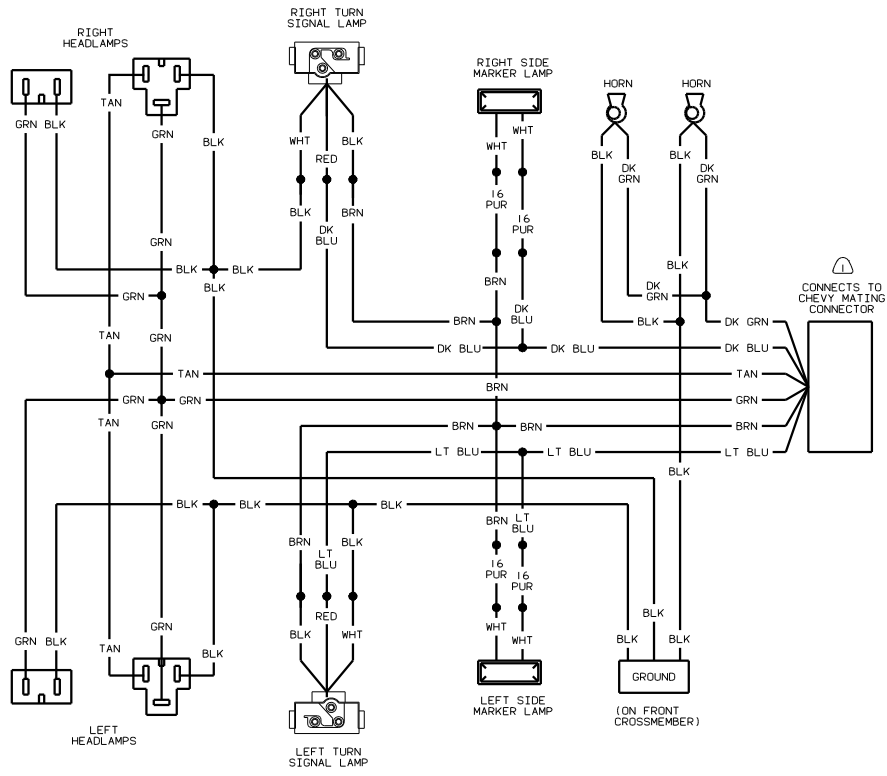
OF IN		DATE	UNDESIGNED TOLERANCES ARE	MATERIAL
CHP	DATE	ONE-PLACE (19.21)		
DFE	DATE	TWO-PLACE (19.200)		
DFE	DATE	THREE-PLACE (19.2000)		
DFE	DATE	FOUR-PLACE (19.20000)		
DFE	DATE	FIVE-PLACE (19.200000)		
DFE	DATE	SIX-PLACE (19.2000000)		
DFE	DATE	SEVEN-PLACE (19.20000000)		
DFE	DATE	EIGHT-PLACE (19.200000000)		
DFE	DATE	NINE-PLACE (19.2000000000)		
DFE	DATE	TEN-PLACE (19.20000000000)		
DFE	DATE	ELEVEN-PLACE (19.200000000000)		
DFE	DATE	TWELVE-PLACE (19.2000000000000)		
DFE	DATE	THIRTEEN-PLACE (19.20000000000000)		
DFE	DATE	FOURTEEN-PLACE (19.200000000000000)		
DFE	DATE	FIFTEEN-PLACE (19.2000000000000000)		
DFE	DATE	SIXTEEN-PLACE (19.20000000000000000)		
DFE	DATE	SEVENTEEN-PLACE (19.200000000000000000)		
DFE	DATE	EIGHTEEN-PLACE (19.2000000000000000000)		
DFE	DATE	NINETEEN-PLACE (19.20000000000000000000)		
DFE	DATE	TWENTY-PLACE (19.200000000000000000000)		

WINNEBAGO 99 F-SERIES

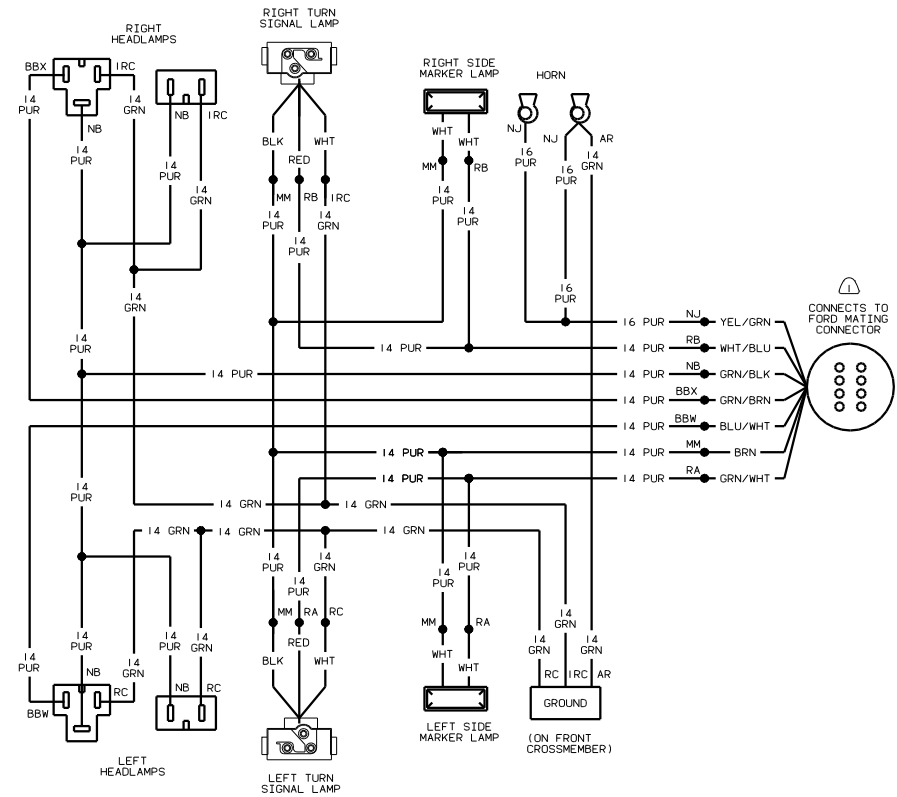
LANE NO. TITLE: **WIRING DIAGRAM-AUTO LAMPS**

REV # SCALE: NONE TO THE SCALE SHOWN THE DATE: 1.6 NO

ALL DIMENSIONS ARE IN MILLIMETERS SHEET 1 OF 3 130998

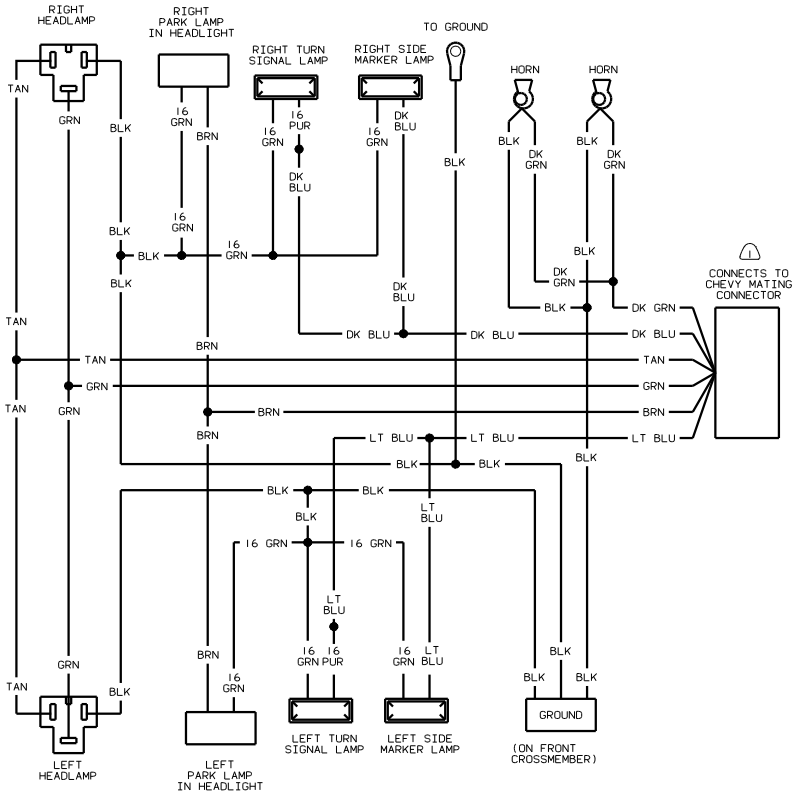


WIRING DIAGRAM-HEADLAMP  
(CHEVY CHASSIS)  
(WIRE ASM 103784-13)

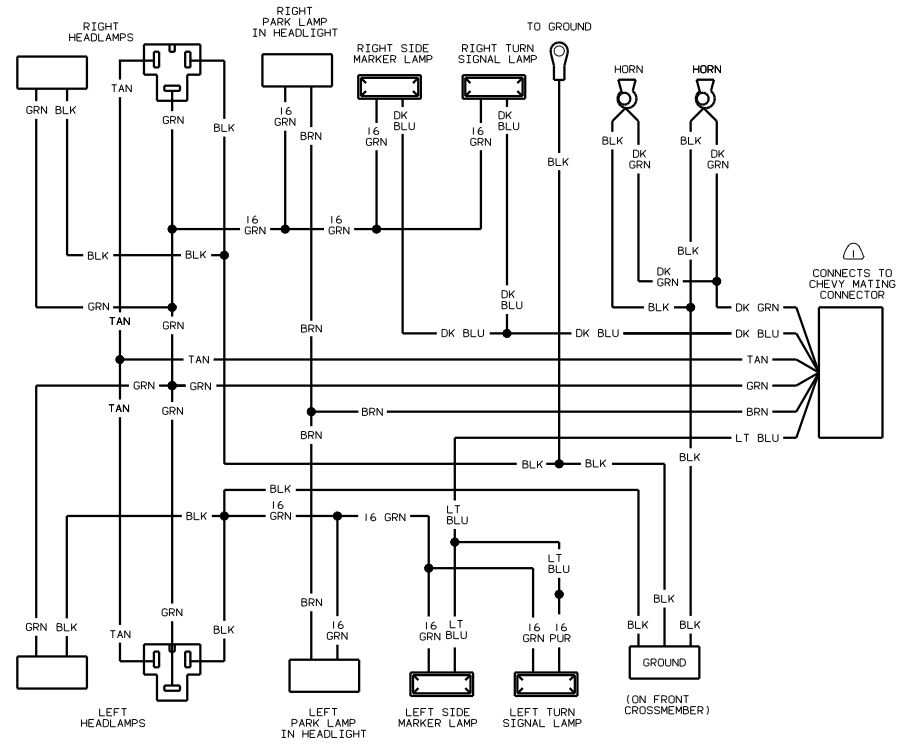


WIRING DIAGRAM-HEADLAMP  
(FORD CHASSIS)  
(WIRE ASM 103784-24)

NOTES:  
SEE MANUFACTURERS DIAGRAM FOR ADDITIONAL INFORMATION.

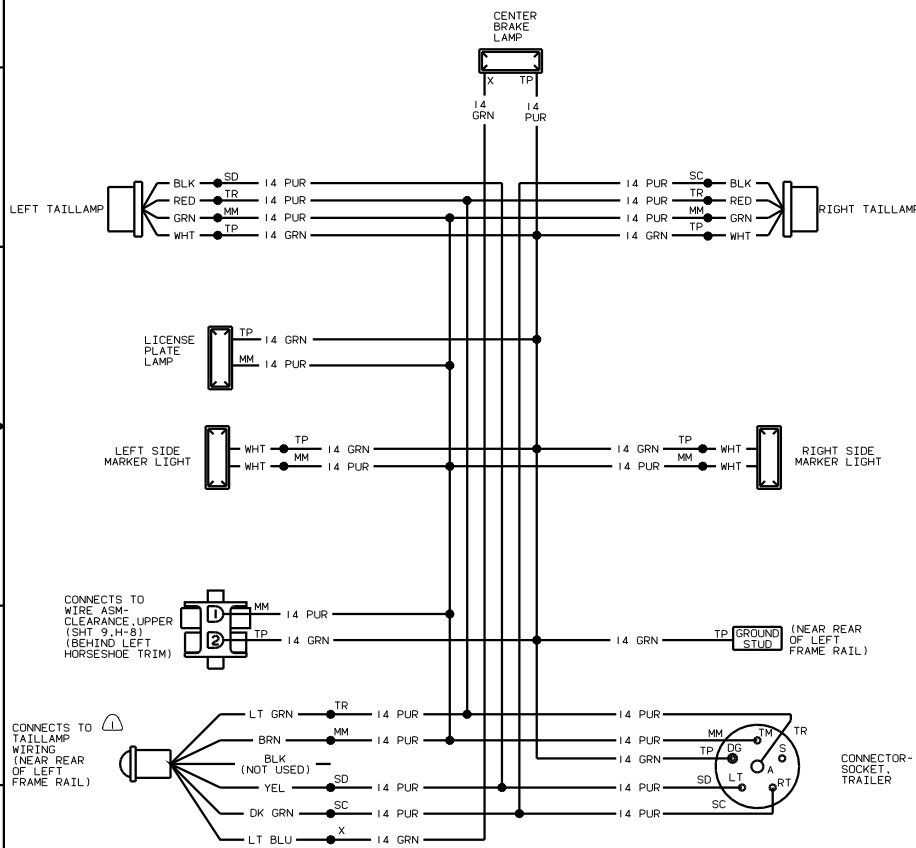


WIRING DIAGRAM-HEADLAMP  
 (CHEVY CHASSIS)  
 (WIRE ASM 115928-09)  
 (ITASCA)



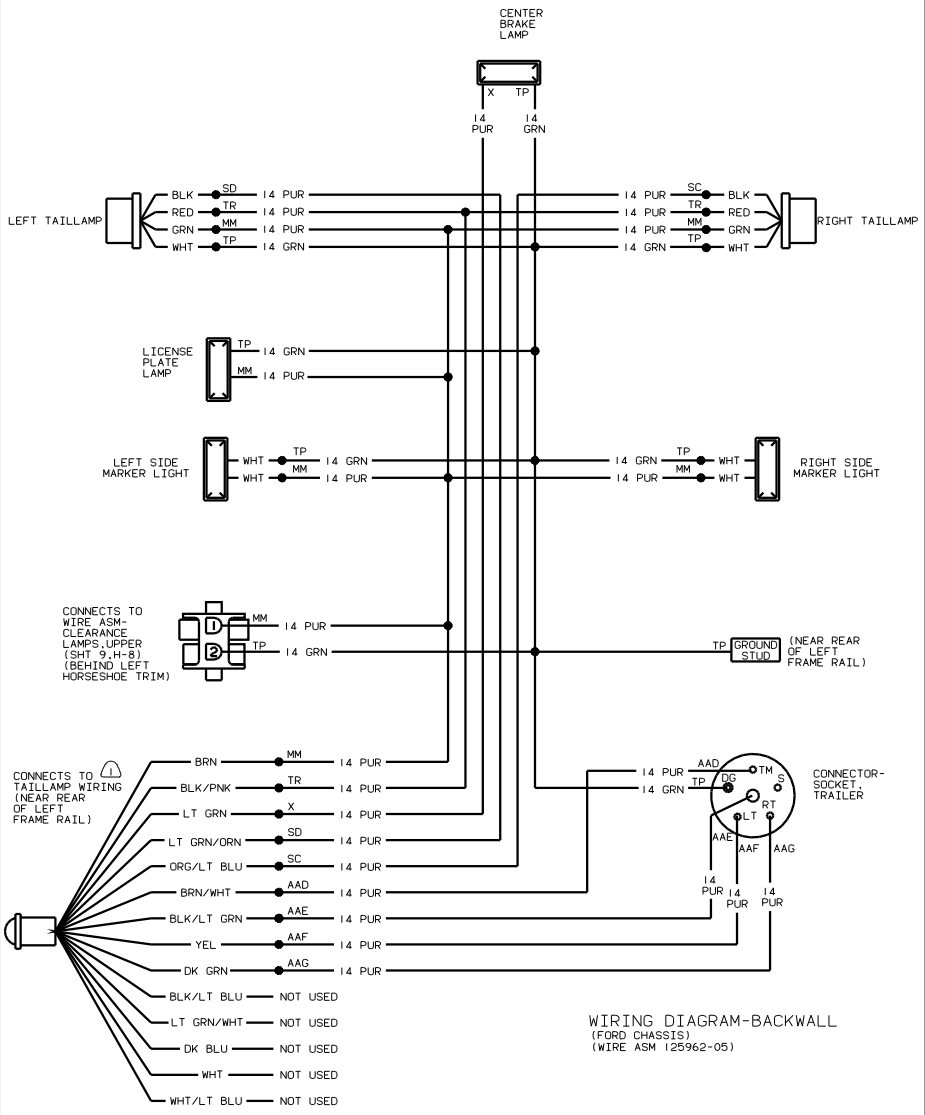
WIRING DIAGRAM-HEADLAMP  
 (CHEVY CHASSIS)  
 (WIRE ASM 103784-08)  
 (WINNEBAGO)

NOTES: SEE MANUFACTURERS DIAGRAM FOR ADDITIONAL INFORMATION.



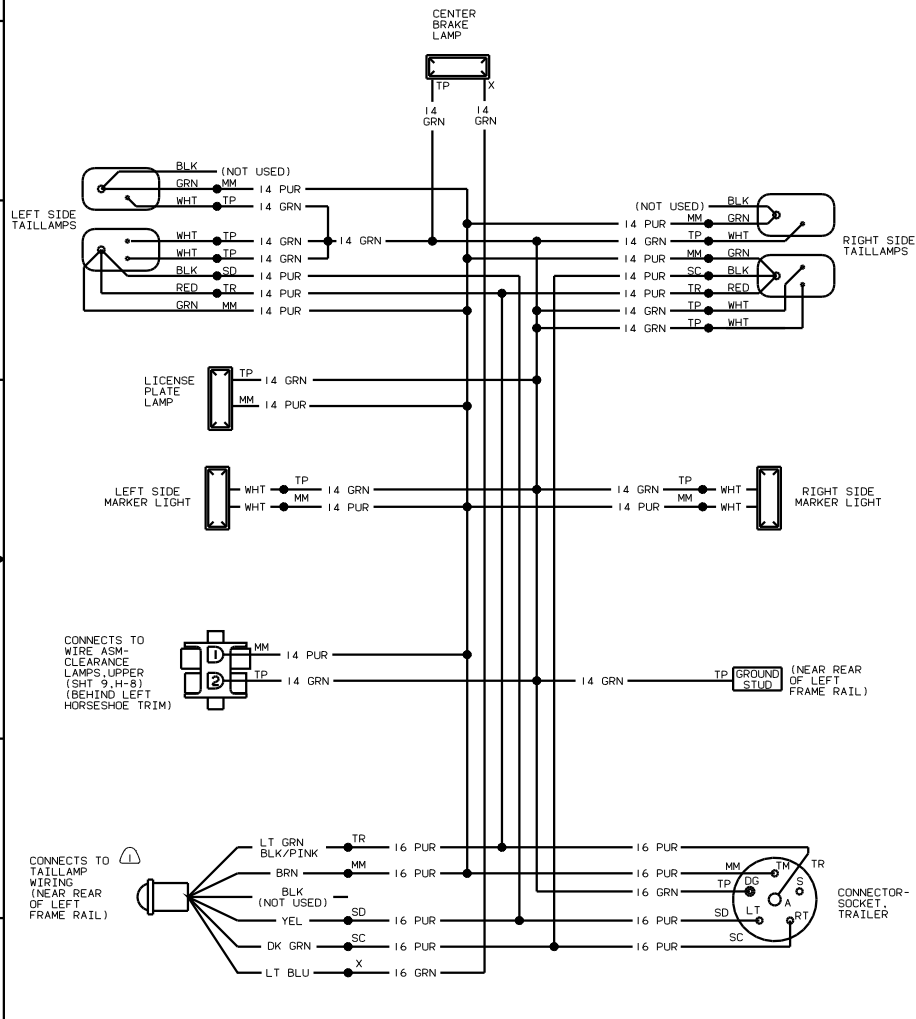
WIRING DIAGRAM-BACKWALL (CHEVY CHASSIS) (WIRE ASM 125962-01)

NOTES: SEE MANUFACTURERS DIAGRAM FOR ADDITIONAL INFORMATION.

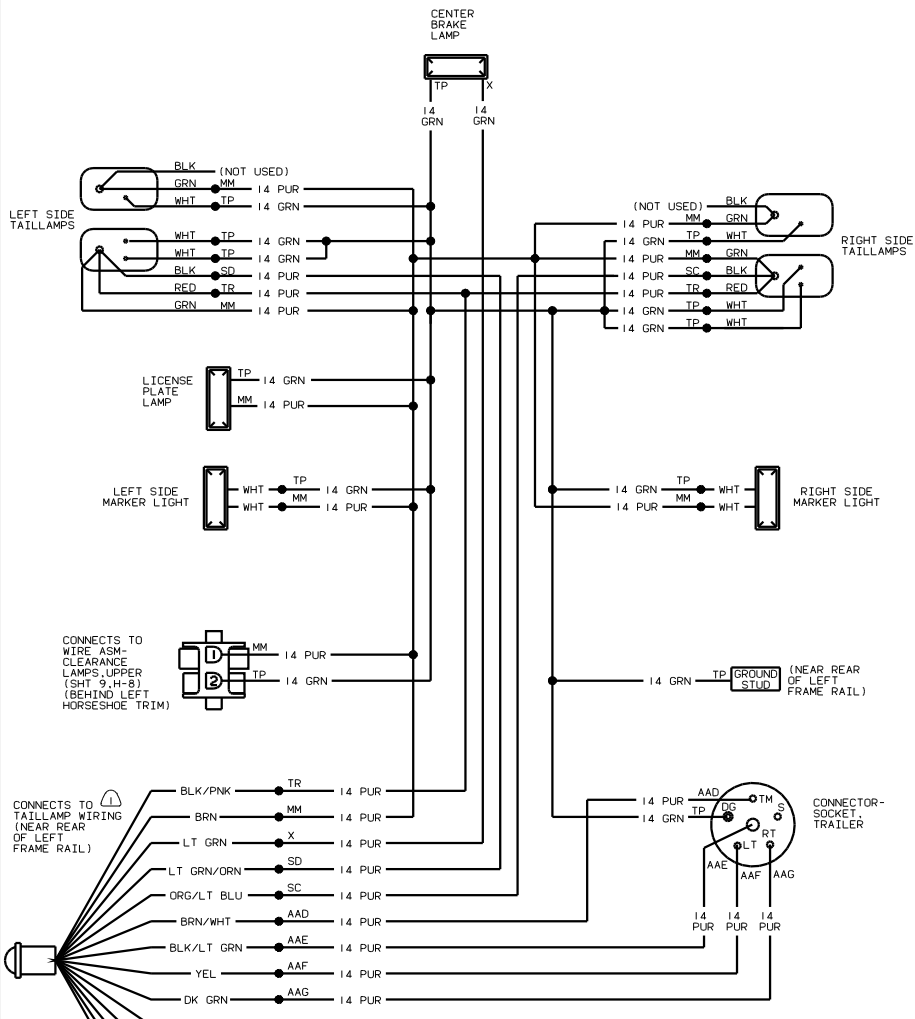


WIRING DIAGRAM-BACKWALL (FORD CHASSIS) (WIRE ASM 125962-05)

99 F26P  
F29A  
F31B  
WINNEBAGO



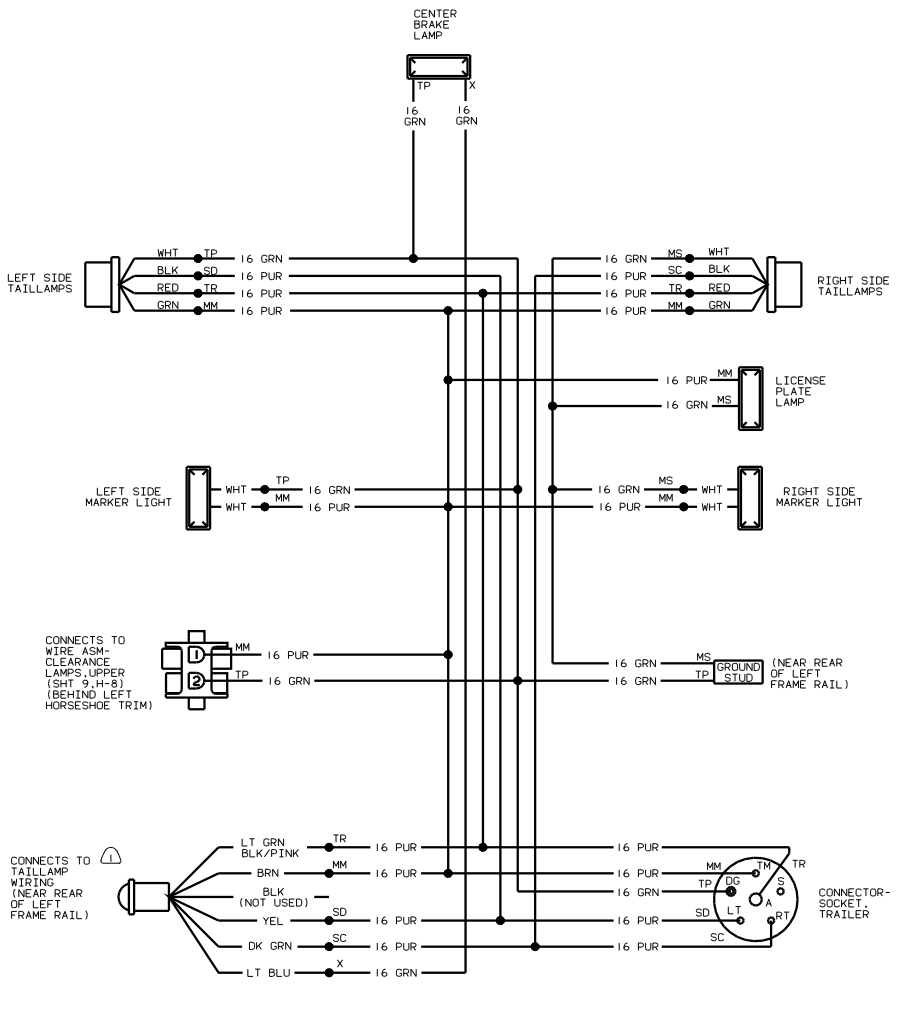
WIRING DIAGRAM-BACKWALL (CHEVY CHASSIS) (WIRE ASM 125962-03)



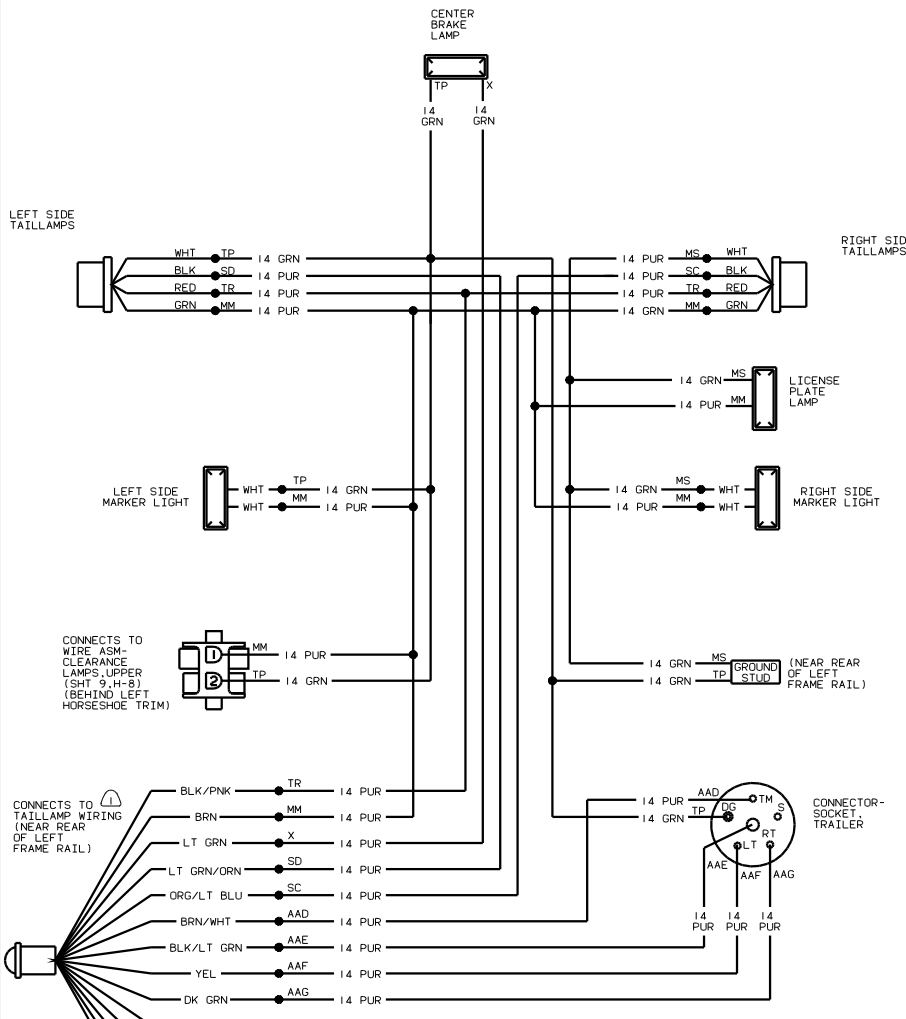
WIRING DIAGRAM-BACKWALL (FORD CHASSIS) (WIRE ASM 125962-06)

SEE MANUFACTURERS DIAGRAM FOR ADDITIONAL INFORMATION.

NOTES:



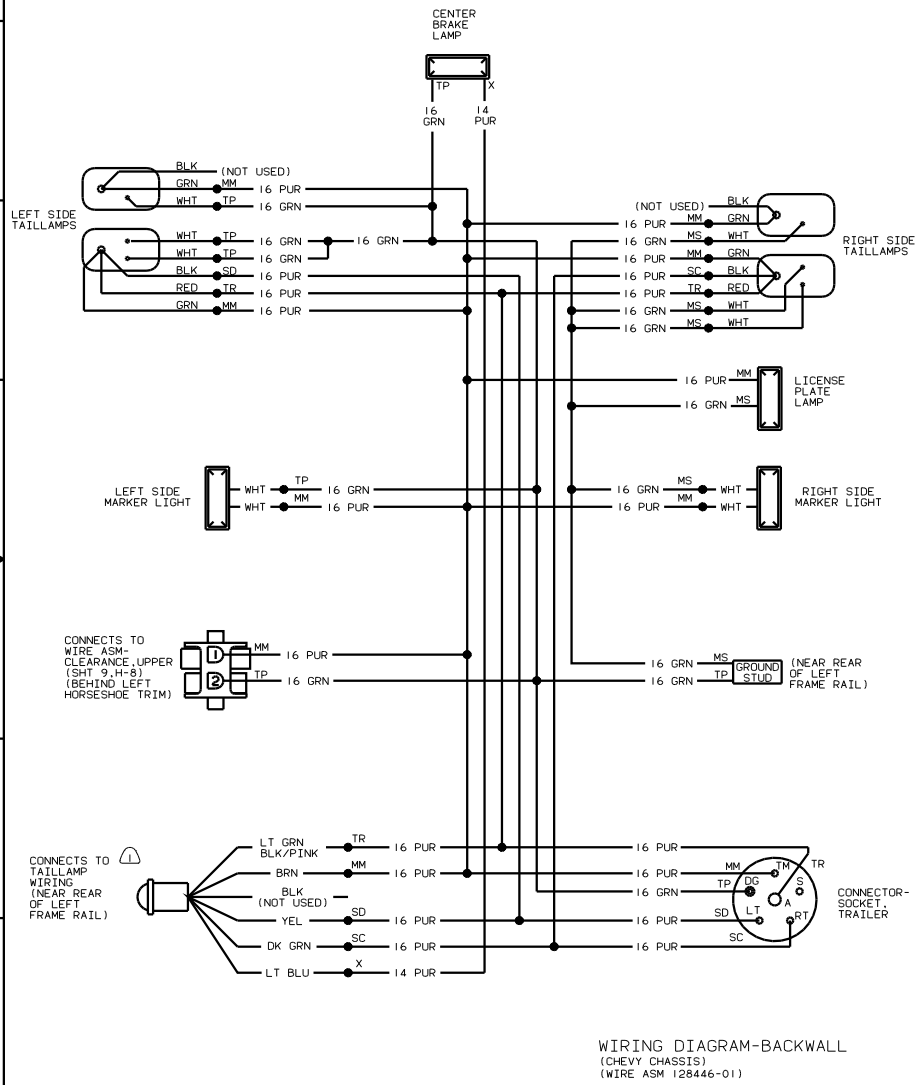
WIRING DIAGRAM-BACKWALL (CHEVY CHASSIS) (WIRE ASM 128447-01)



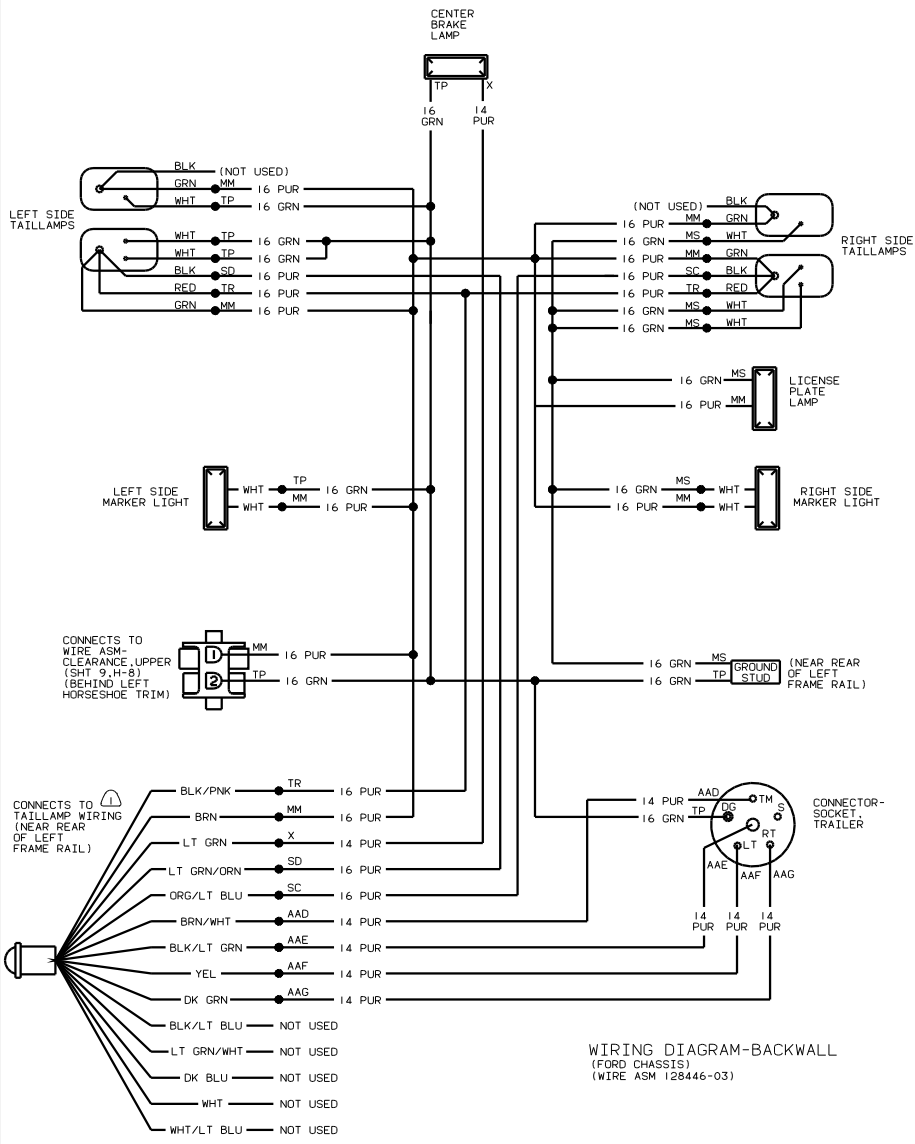
WIRING DIAGRAM-BACKWALL (FORD CHASSIS) (WIRE ASM 128447-03)

99 F30A  
F32T  
F34H  
F35C  
WINNEBAGO

SEE MANUFACTURERS DIAGRAM FOR ADDITIONAL INFORMATION.



WIRING DIAGRAM-BACKWALL (CHEVY CHASSIS) (WIRE ASM 128446-01)

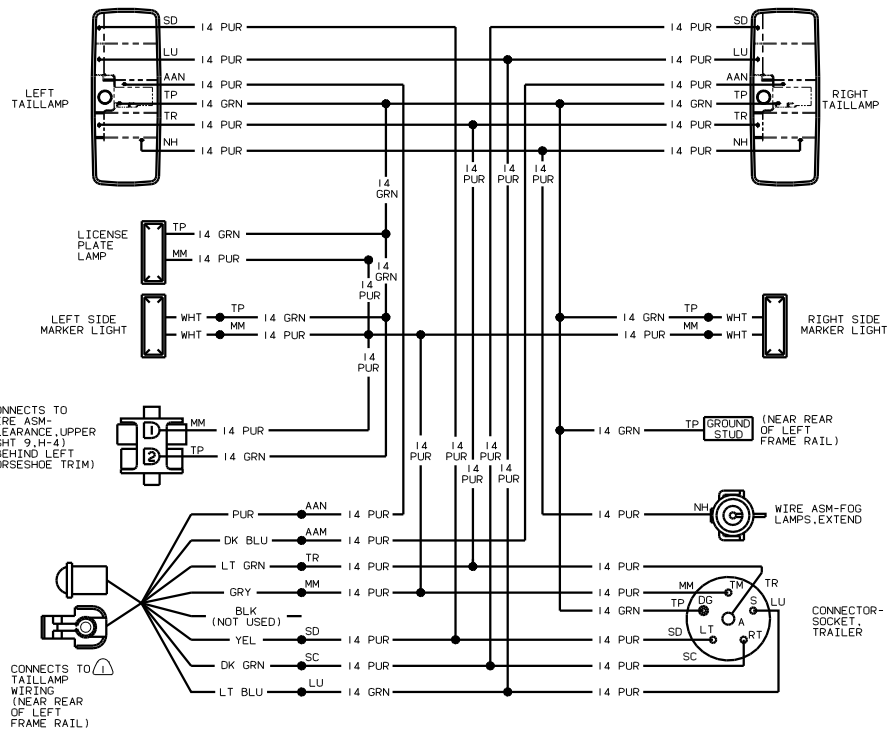
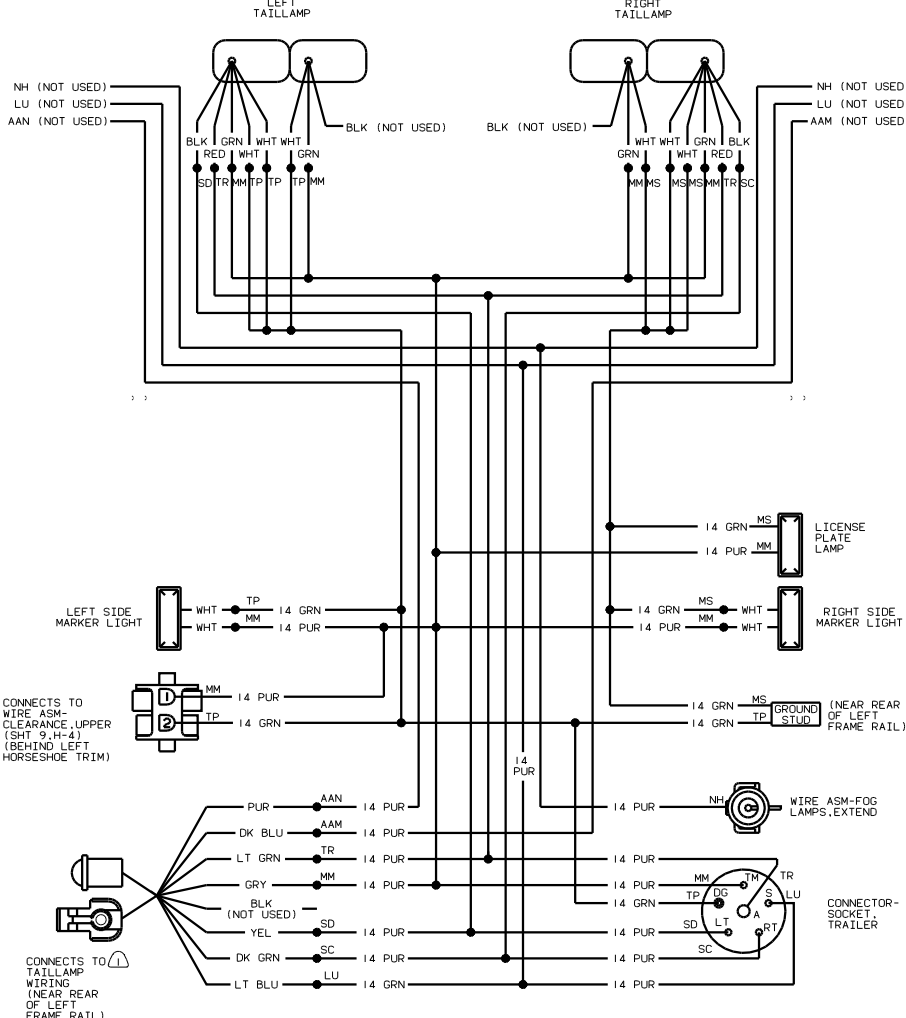


WIRING DIAGRAM-BACKWALL (FORD CHASSIS) (WIRE ASM 128446-03)

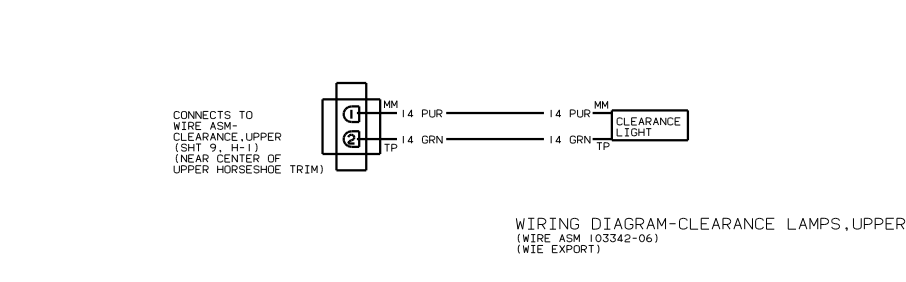
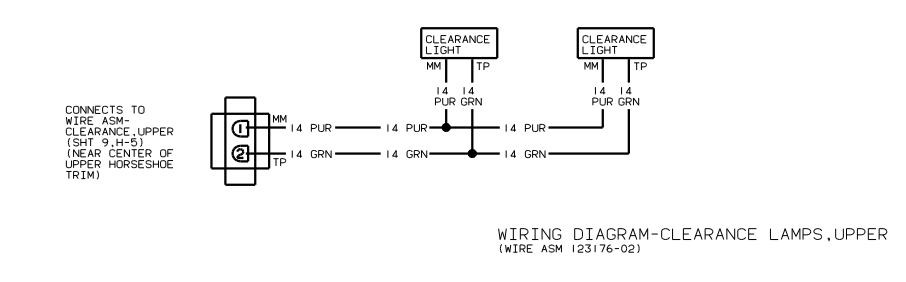
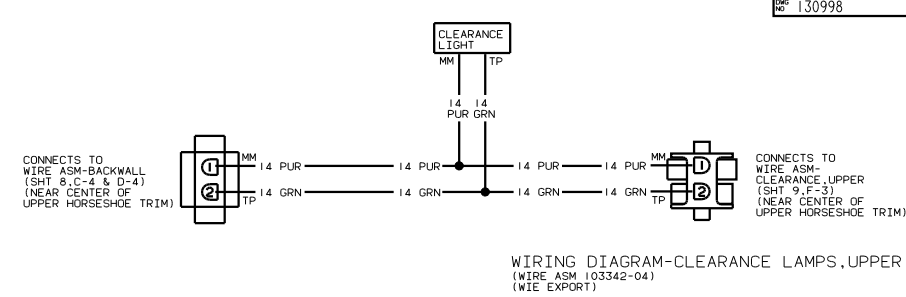
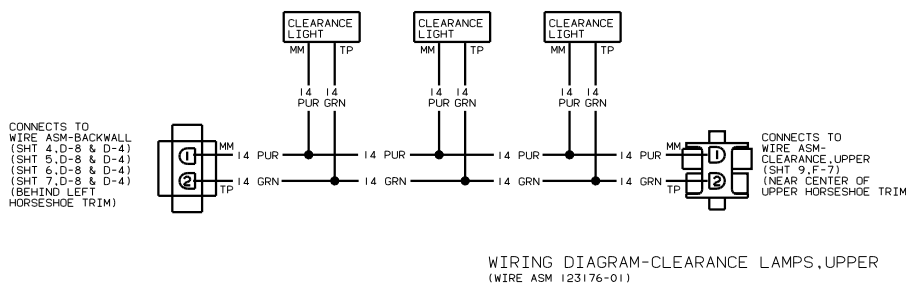
SEE MANUFACTURERS DIAGRAM FOR ADDITIONAL INFORMATION.

NOTES:





SEE MANUFACTURERS DIAGRAM FOR ADDITIONAL INFORMATION.



NOTES:  
 1 SEE MANUFACTURERS DIAGRAM FOR ADDITIONAL INFORMATION.