



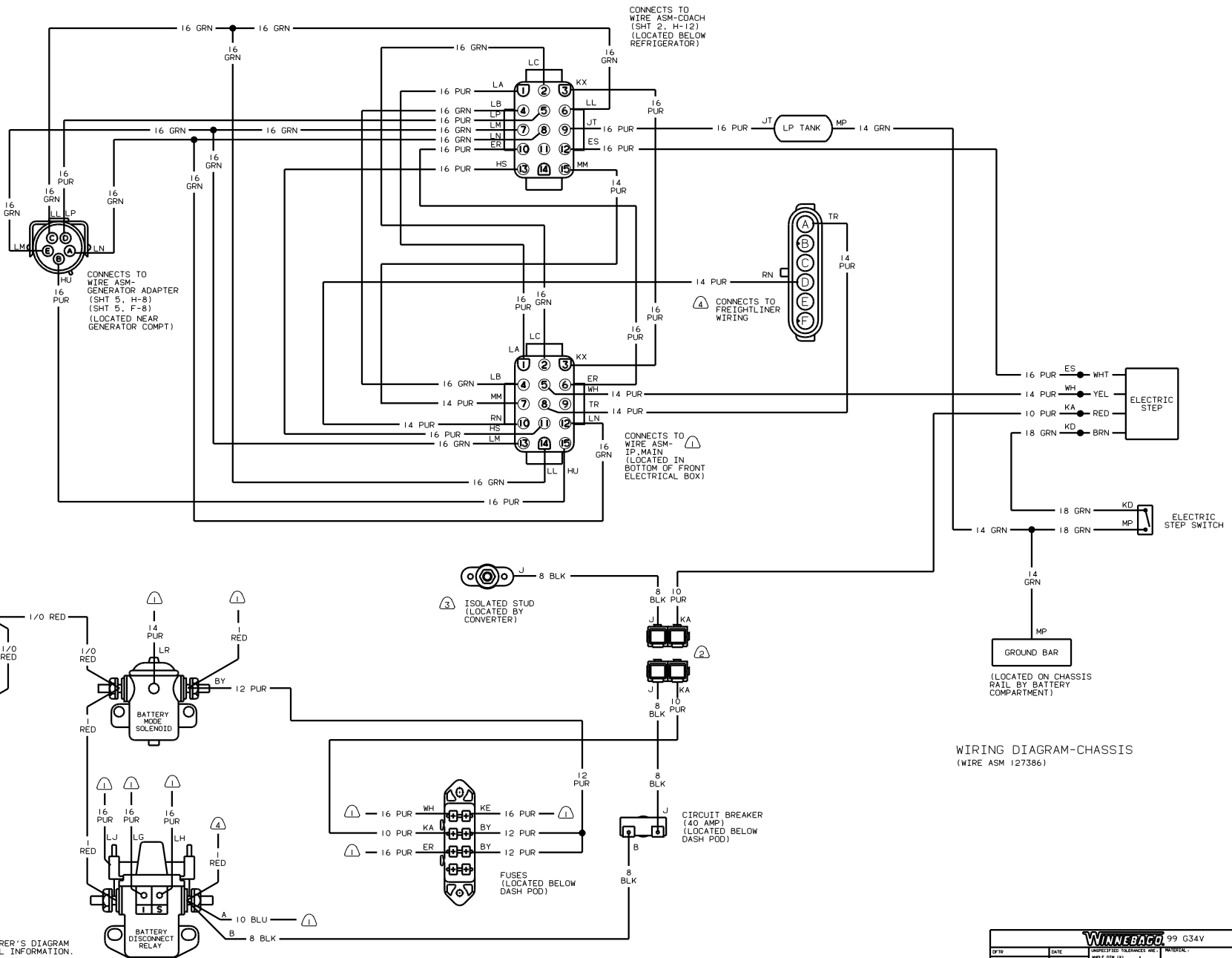
DANGER

Danger of electrical shock, burns or death. Always remove all power sources before attempting any repair, service or diagnostic work. Power can be present from shore power, generator, inverter or battery. All power sources must be disabled and secured before performing any service.



CAUTION

If you lack the skills, tools or equipment to perform diagnostic or repair work leave such work to an authorized Winnebago Industries dealer or other qualified shop.

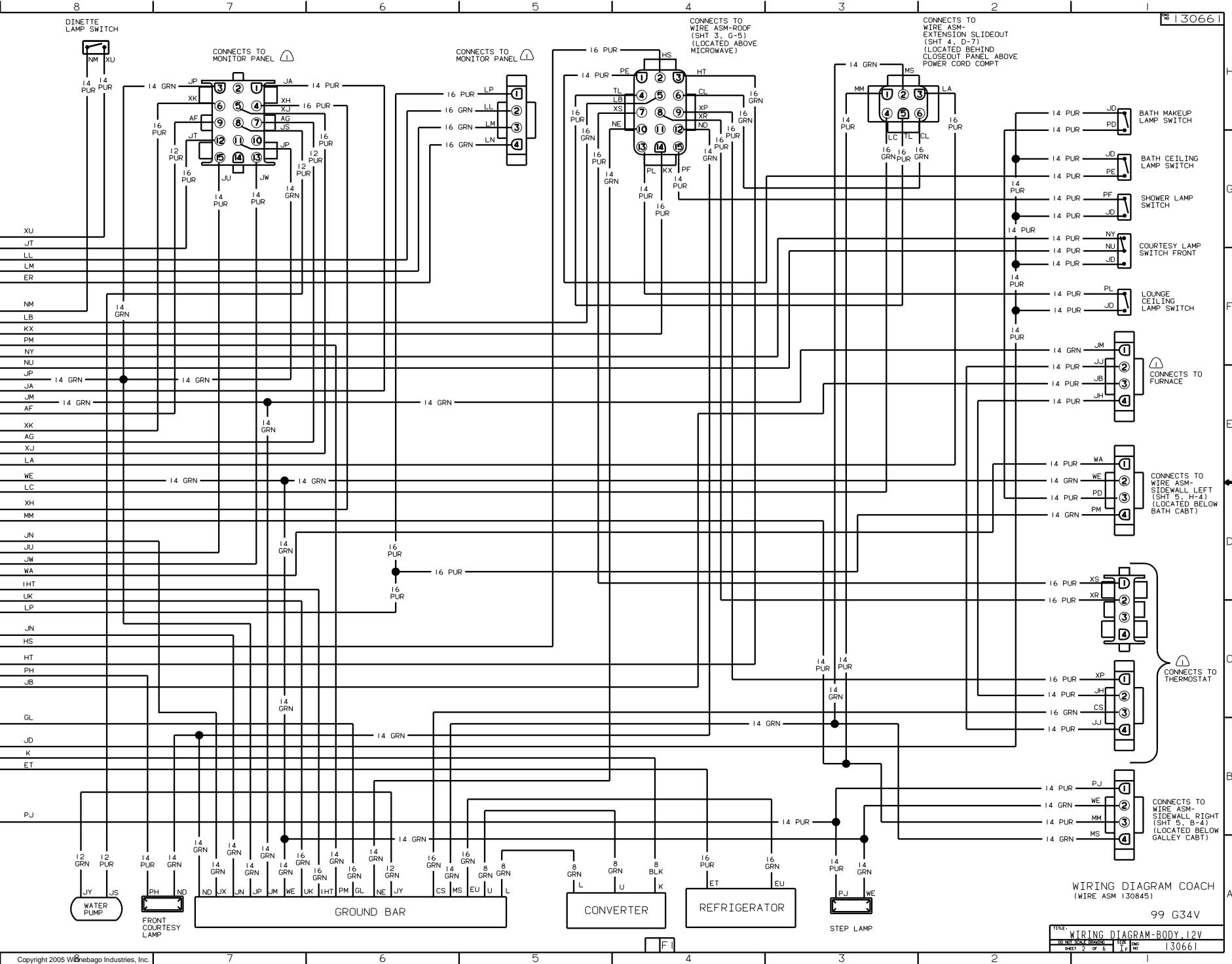


WIRING DIAGRAM-CHASSIS
 (WIRE ASM 127386)

- ④ SEE MANUFACTURER'S DIAGRAM FOR ADDITIONAL INFORMATION.
- ③ SEE SHT 2 FOR ADDITIONAL INFORMATION.
- ② CONNECTION MADE IN FRONT ELECTRICAL BOX.
- ① SEE WIRING DIAGRAM-AUTO FOR ADDITIONAL INFORMATION.

NOTES:

WINNEBAGO 99 G34V			
OF IN	DATE	UNSPECIFIED TOLERANCES ARE	MATERIAL
CHP	DATE	WHOLE OR 1/16"	
DYE	DATE	ONE-PLACE (1/32)	
D/E	DATE	TWO-PLACE (1/64)	
DATE	DATE	ANGLE	
DATE	DATE	INDUS. WAGLE	
DATE	DATE	PRODUCTION	
WIRING DIAGRAM-BODY 12V 1 OF 6			



DINETTE LAMP SWITCH

CONNECTS TO MONITOR PANEL

CONNECTS TO MONITOR PANEL

CONNECTS TO WIRE ASM-ROOF (SHT 3, G-5) (LOCATED ABOVE MICROWAVE)

CONNECTS TO WIRE ASM-EXTENSION SLIDEOUT (SHT 4, D-7) (LOCATED BEHIND CLOSEOUT PANEL ABOVE POWER CORD COMPT)

XU
JT
LL
LM
ER
NM
LB
KX
PM
NY
NU
JP
JA
JM
AF
XK
AG
XJ
LA
WE
LC
XH
MM
JN
JU
JW
WA
IHT
LK
LP
JN
HS
HT
PH
JB
GL
JD
K
ET
PJ

BATH MAKEUP LAMP SWITCH
BATH CEILING LAMP SWITCH
SHOWER LAMP SWITCH
COURTESY LAMP SWITCH FRONT
LOUNGE CEILING LAMP SWITCH
CONNECTS TO FURNACE
CONNECTS TO WIRE ASM-SIDEWALL LEFT (SHT 5, H-4) (LOCATED BELOW BATH CABT)
CONNECTS TO THERMOSTAT
CONNECTS TO WIRE ASM-SIDEWALL RIGHT (SHT 5, B-4) (LOCATED BELOW GALLEY CABT)

WATER PUMP

FRONT COURTESY LAMP

GROUND BAR

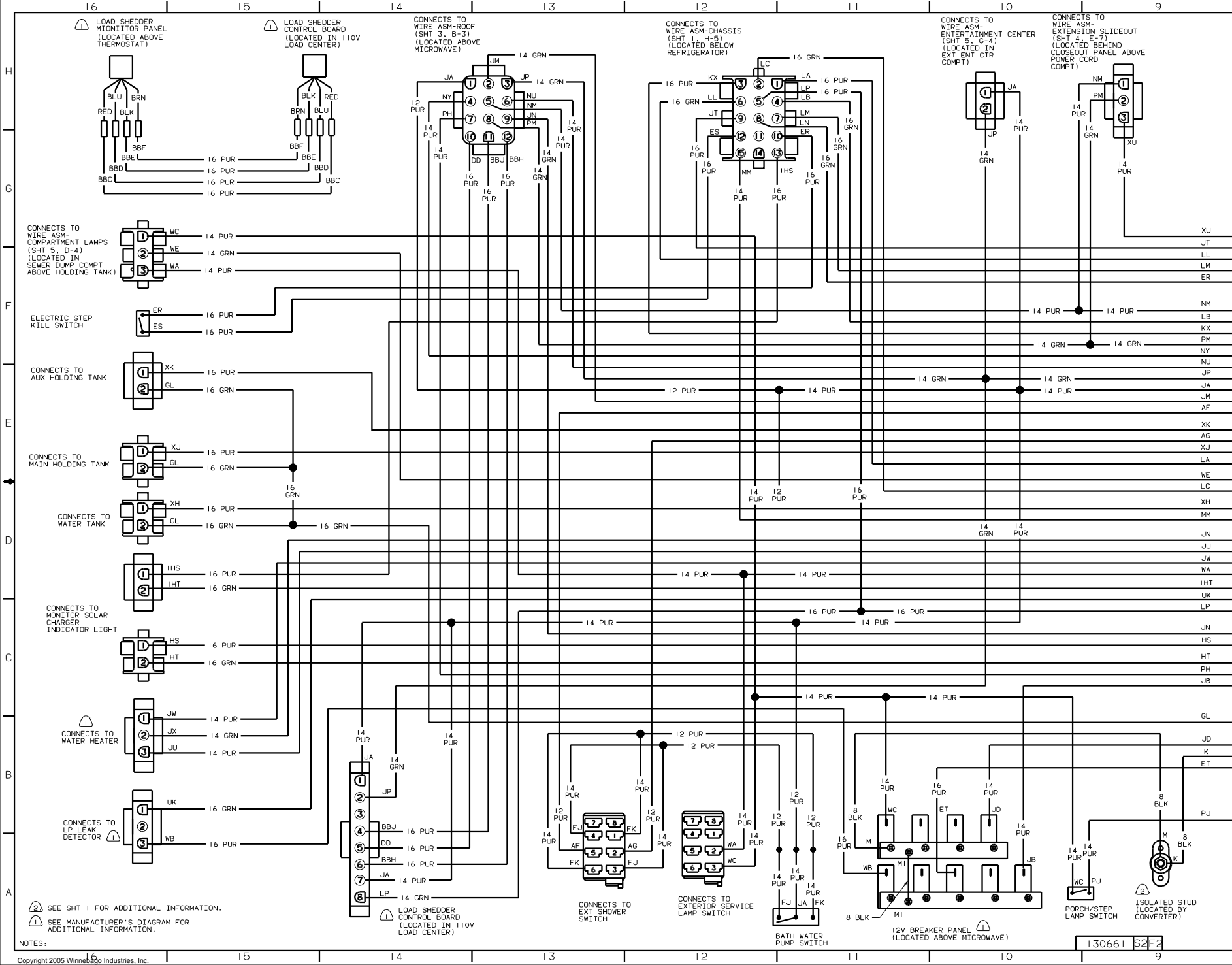
CONVERTER

REFRIGERATOR

STEP LAMP

WIRING DIAGRAM COACH (WIRE ASM 130845)

99 G34V



LOAD SHEDDER MONITOR PANEL (LOCATED ABOVE THERMOSTAT)

LOAD SHEDDER CONTROL BOARD (LOCATED IN 110V LOAD CENTER)

CONNECTS TO WIRE ASM-ROOF (SHT 3, B-3) (LOCATED ABOVE MICROWAVE)

CONNECTS TO WIRE ASM-CHASSIS (SHT 1, H-5) (LOCATED BELOW REFRIGERATOR)

CONNECTS TO WIRE ASM-ENTERTAINMENT CENTER (SHT 5, G-4) (LOCATED IN EXT ENT CTR COMPT)

CONNECTS TO WIRE ASM-EXTENSION SLIDEOUT (SHT 4, E-7) (LOCATED BEHIND CLOSETOUT PANEL ABOVE POWER CORD COMPT)

CONNECTS TO WIRE ASM-COMPARTMENT LAMPS (SHT 5, D-4) (LOCATED IN SEWER DUMP COMPT ABOVE HOLDING TANK)

ELECTRIC STEP KILL SWITCH

CONNECTS TO AUX HOLDING TANK

CONNECTS TO MAIN HOLDING TANK

CONNECTS TO WATER TANK

CONNECTS TO MONITOR SOLAR CHARGER INDICATOR LIGHT

CONNECTS TO WATER HEATER

CONNECTS TO LP LEAK DETECTOR

NOTES:
 (1) SEE SHT 1 FOR ADDITIONAL INFORMATION.
 (2) SEE MANUFACTURER'S DIAGRAM FOR ADDITIONAL INFORMATION.

LOAD SHEDDER CONTROL BOARD (LOCATED IN 110V LOAD CENTER)

CONNECTS TO EXT SHOWER SWITCH

CONNECTS TO EXTERIOR SERVICE LAMP SWITCH

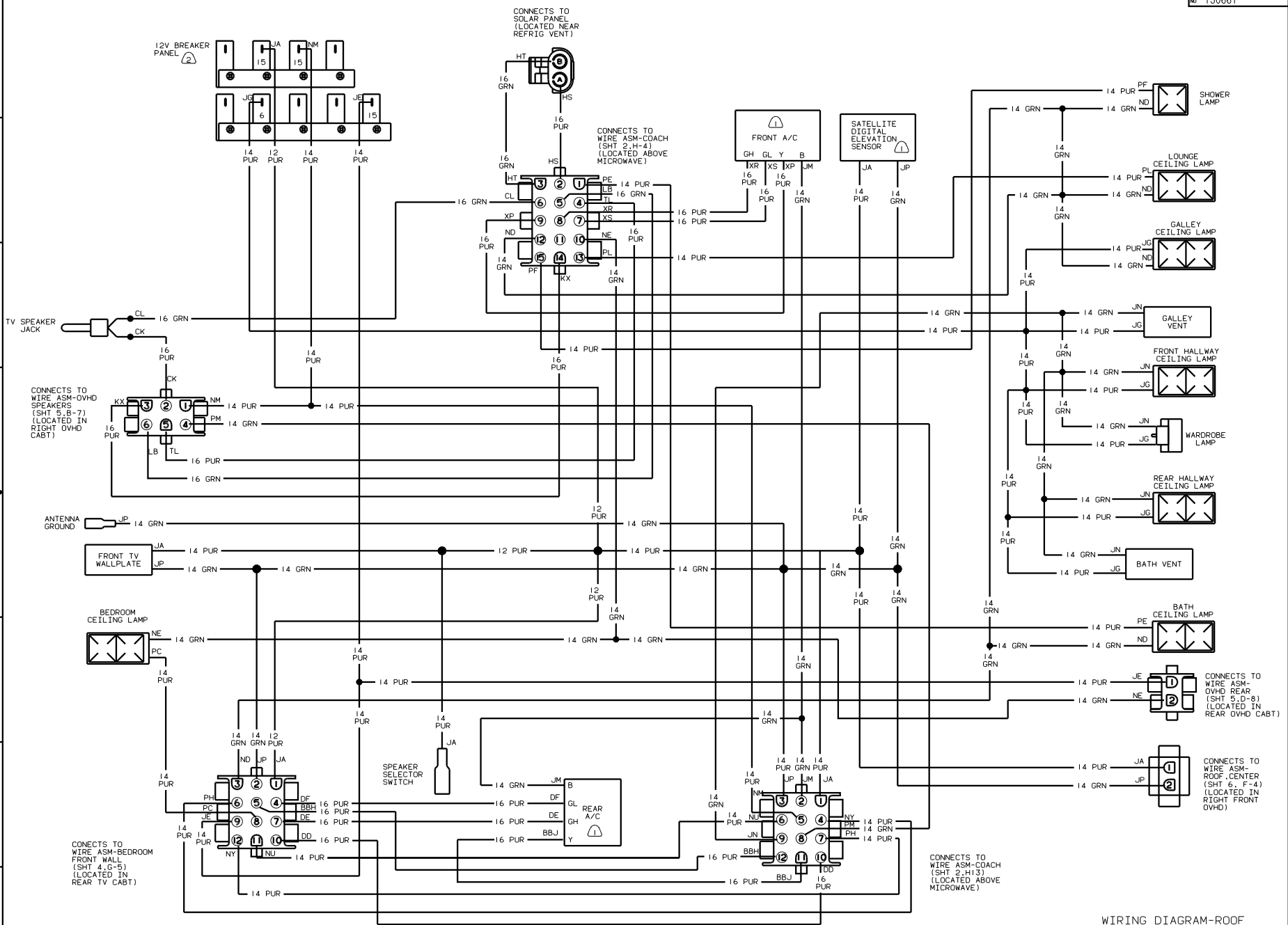
BATH WATER PUMP SWITCH

12V BREAKER PANEL (LOCATED ABOVE MICROWAVE)

PORCH/STEP LAMP SWITCH

ISOLATED STUD (LOCATED BY CONVERTER)

130661 S2F2

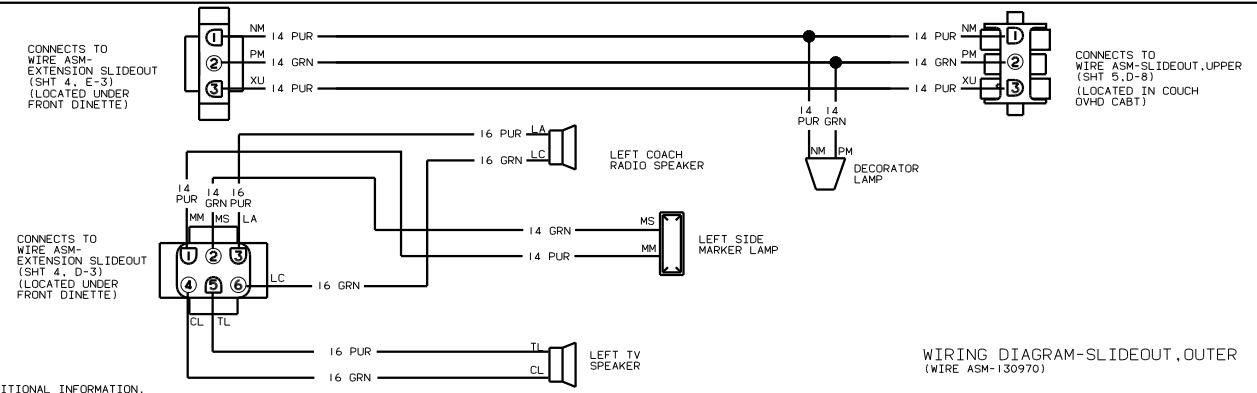
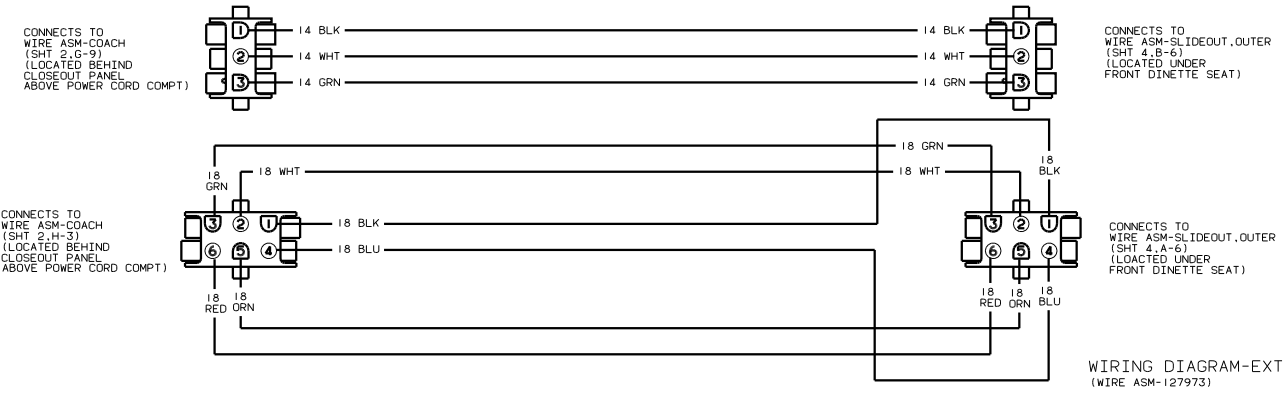
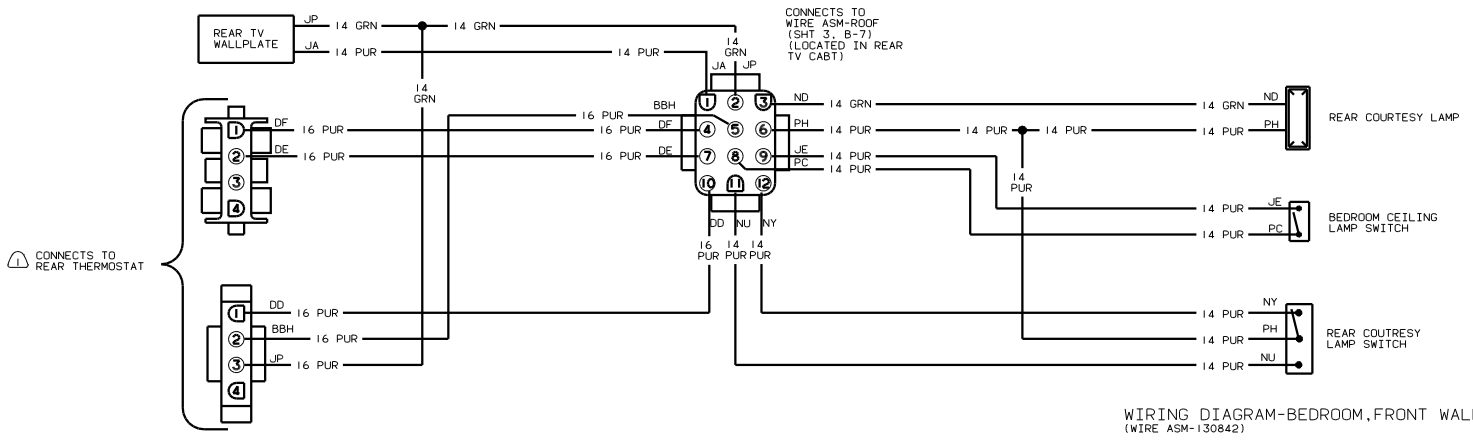


WIRING DIAGRAM-ROOF
(WIRE ASM-130843)

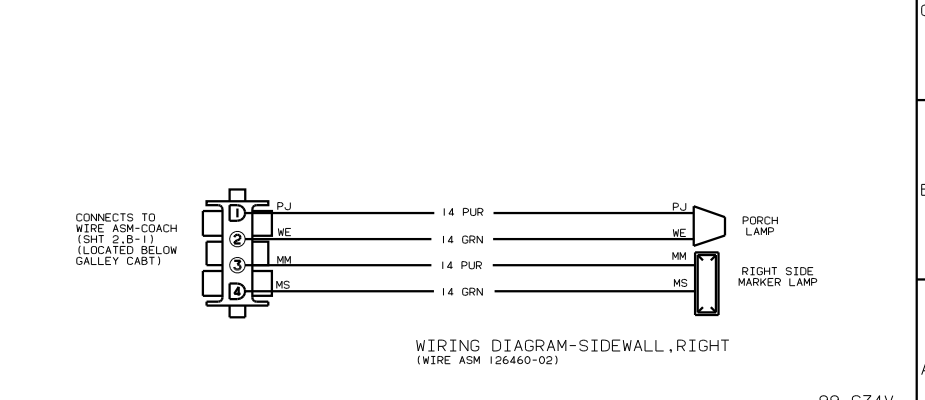
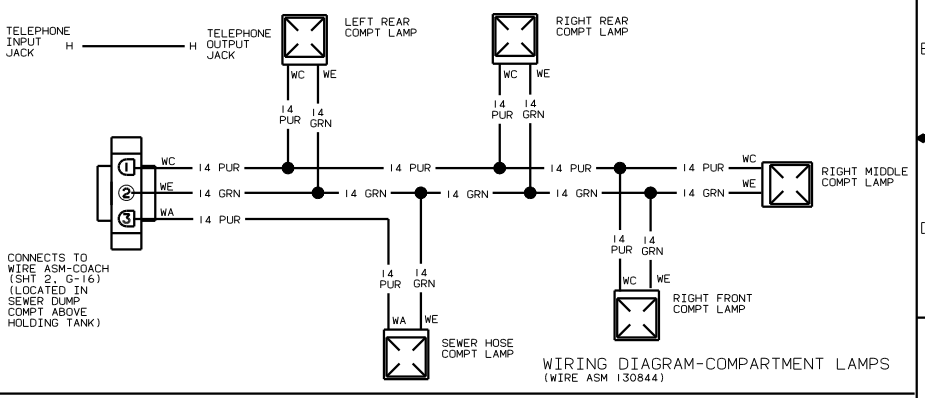
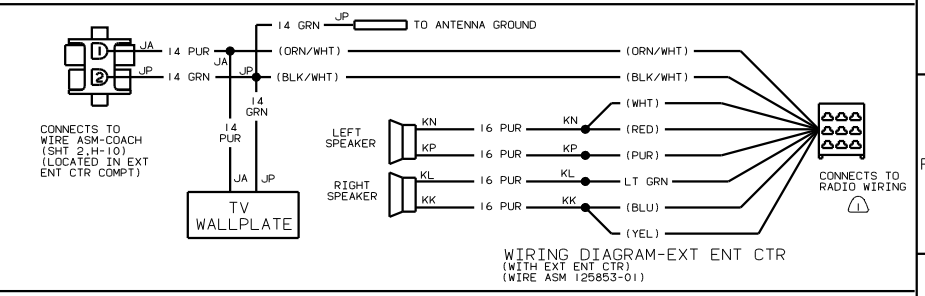
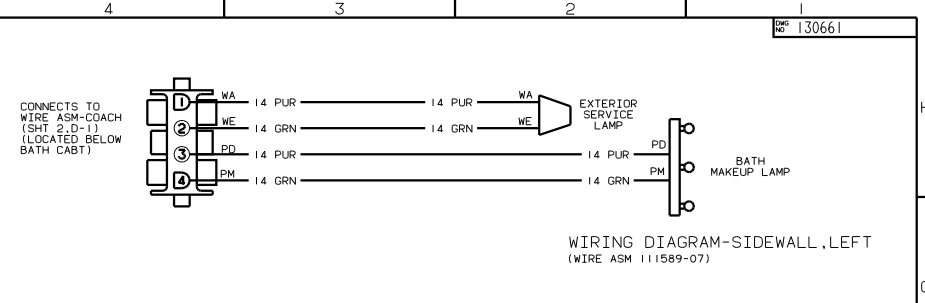
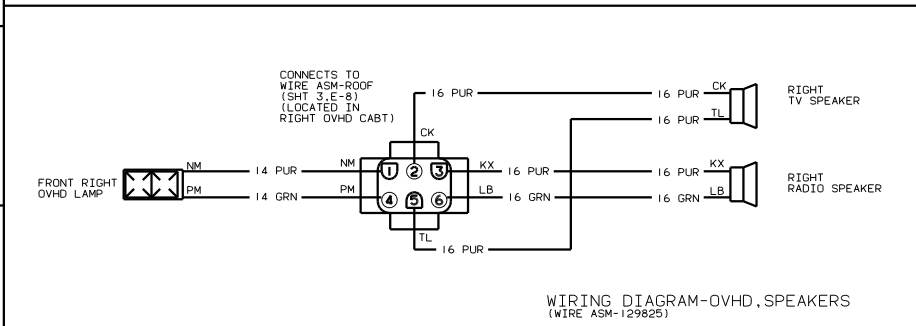
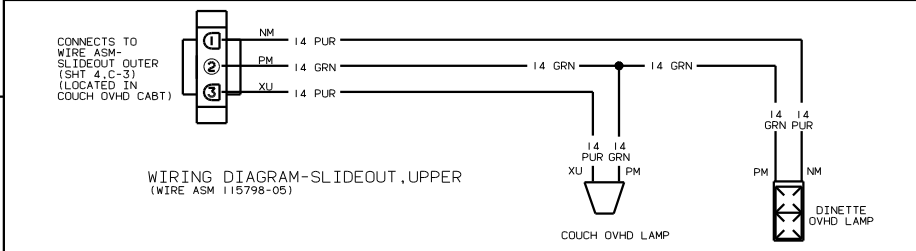
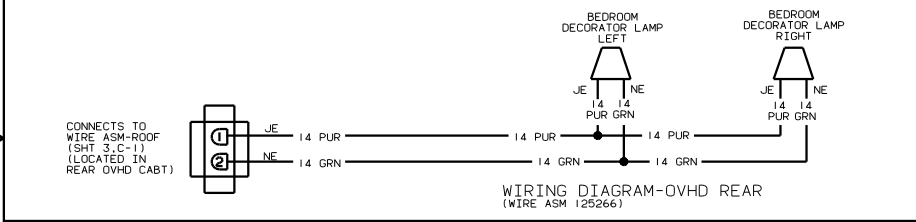
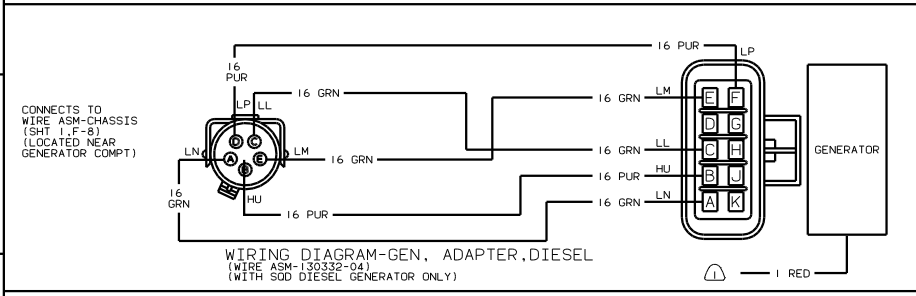
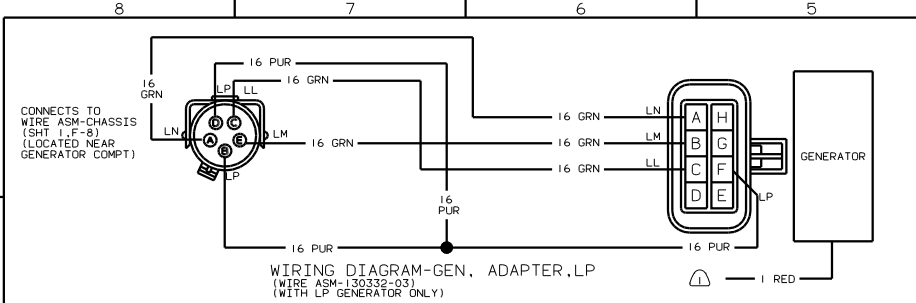
99 G34V

- ② SEE SHT 2 FOR ADDITIONAL INFORMATION.
- ① SEE MANUFACTURER'S DIAGRAM FOR ADDITIONAL INFORMATION.

TITLE		WIRING DIAGRAM-BODY 12V	
NO. OF SHEETS	DATE	REV.	DATE
3 OF 6		1	

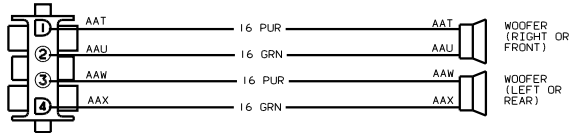


NOTES:
1) SEE MANUFACTURER'S DIAGRAM FOR ADDITIONAL INFORMATION.



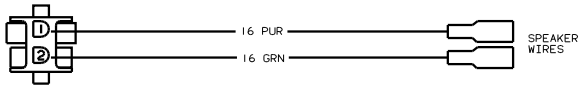
NOTES:
1 SEE MANUFACTURER'S DIAGRAM FOR ADDITIONAL INFORMATION.

CONNECTS TO
WIRE ASM-
AMPLIFIER



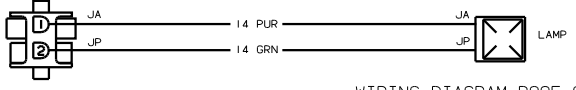
WIRING DIAGRAM-SPEAKER,DELUXE EXT
(WIRE ASM 125898-07)

CONNECTS TO
SPEAKER



WIRING DIAGRAM-SPEAKER, ADAPTER
(WIRE ASM 124843-01) (RIGHT)
(WIRE ASM 124843-04) (LEFT)

CONNECTS TO
WIRE ASM-ROOF
(SHT 3, B-1)
(LOCATED IN
RIGHT FRONT
OVHD)



WIRING DIAGRAM-ROOF CENTER
(WIRE ASM-077093-20)