



**DANGER**

**Danger of electrical shock, burns or death.** Always remove all power sources before attempting any repair, service or diagnostic work. Power can be present from shore power, generator, inverter or battery. All power sources must be disabled and secured before performing any service.

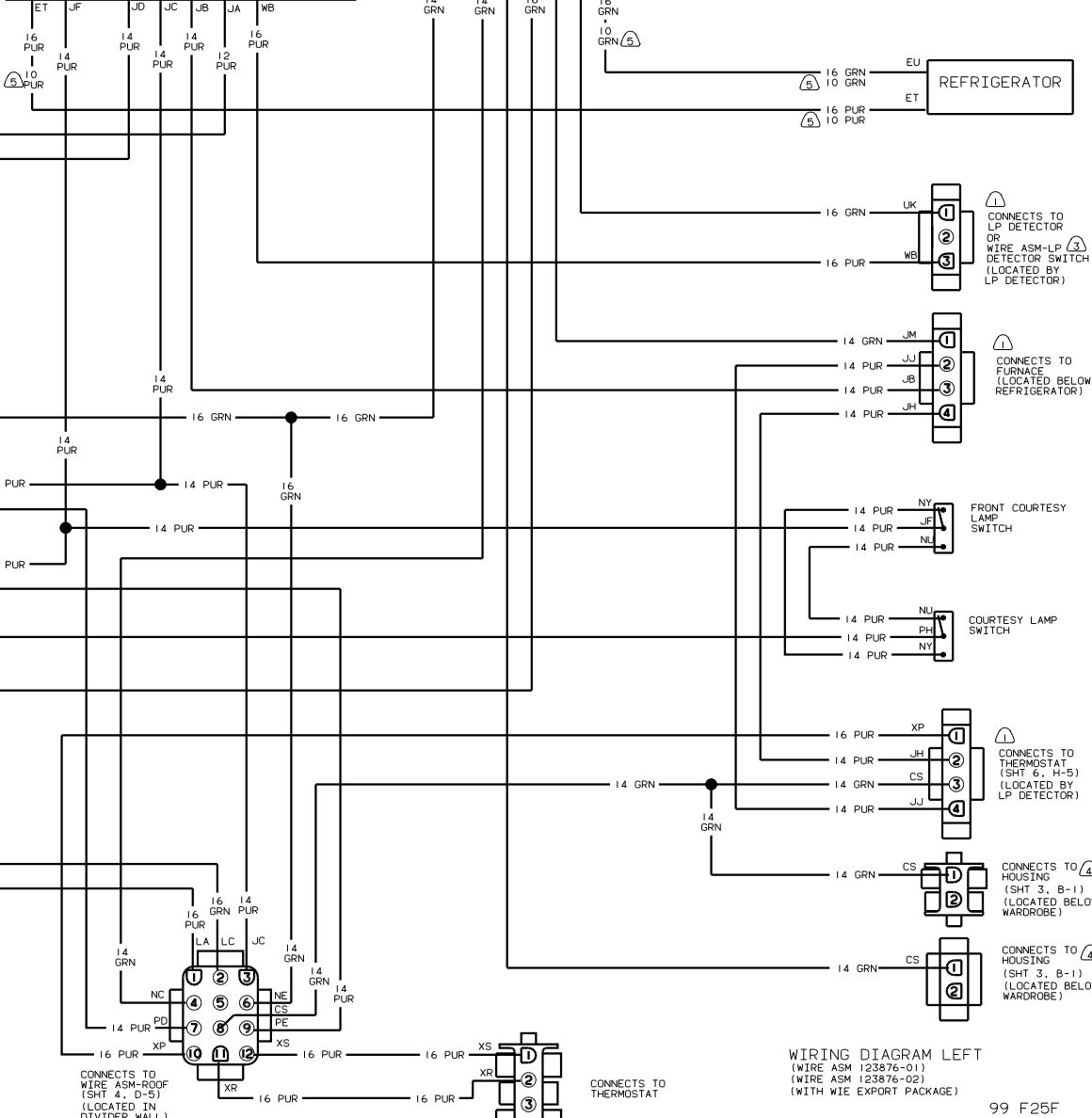
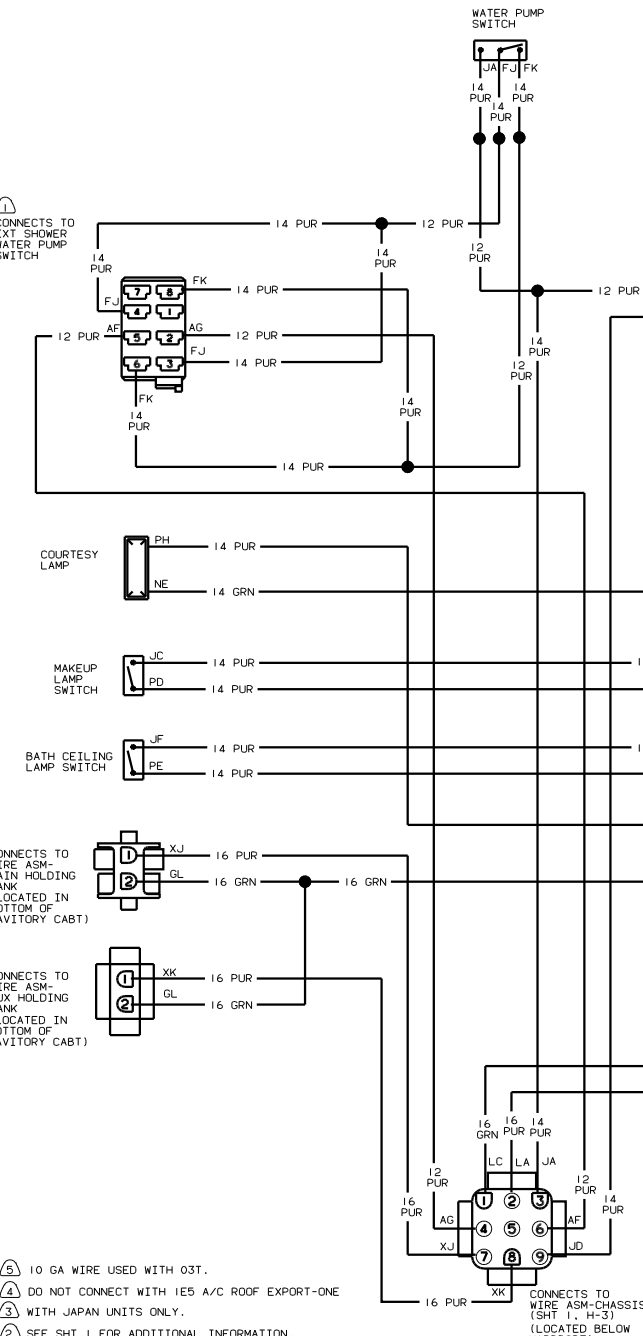
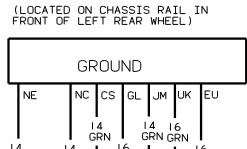
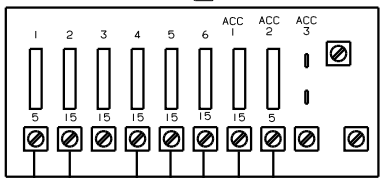


**CAUTION**

If you lack the skills, tools or equipment to perform diagnostic or repair work leave such work to an authorized Winnebago Industries dealer or other qualified shop.







(1)

(2)

(3)

(4)

(5)

(6)

(7)

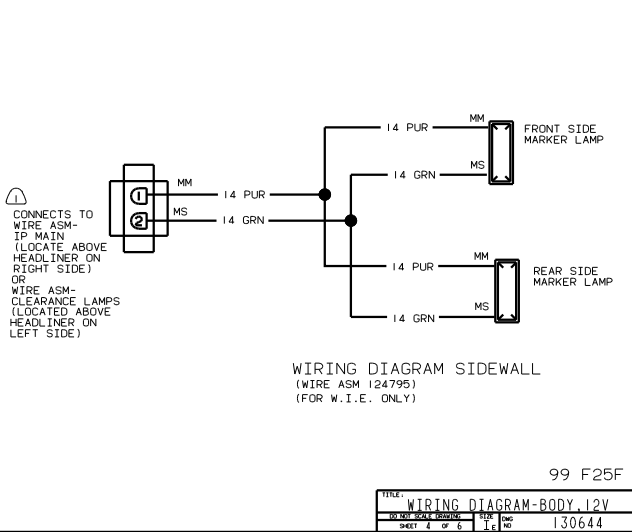
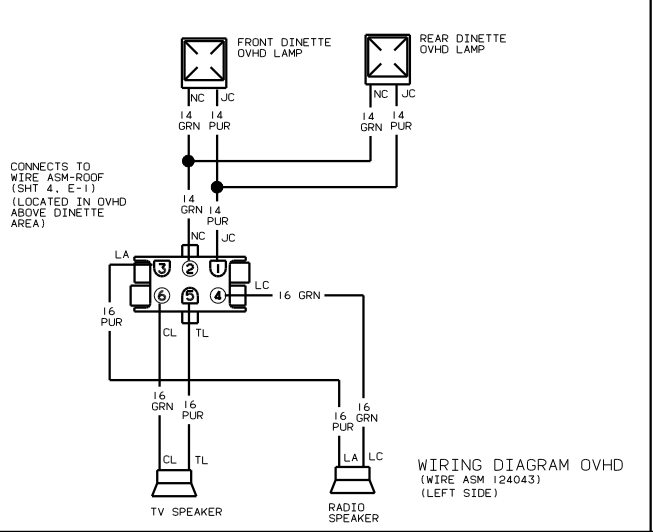
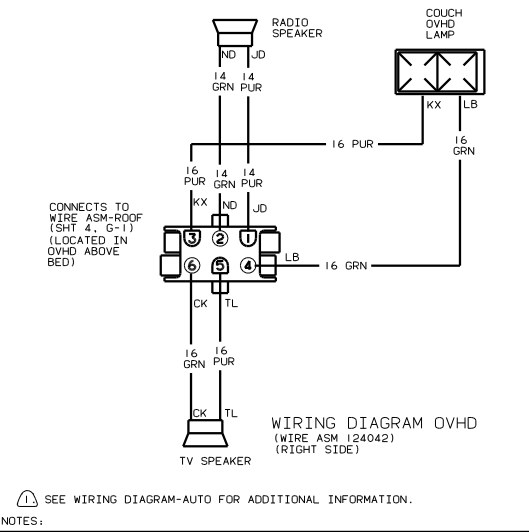
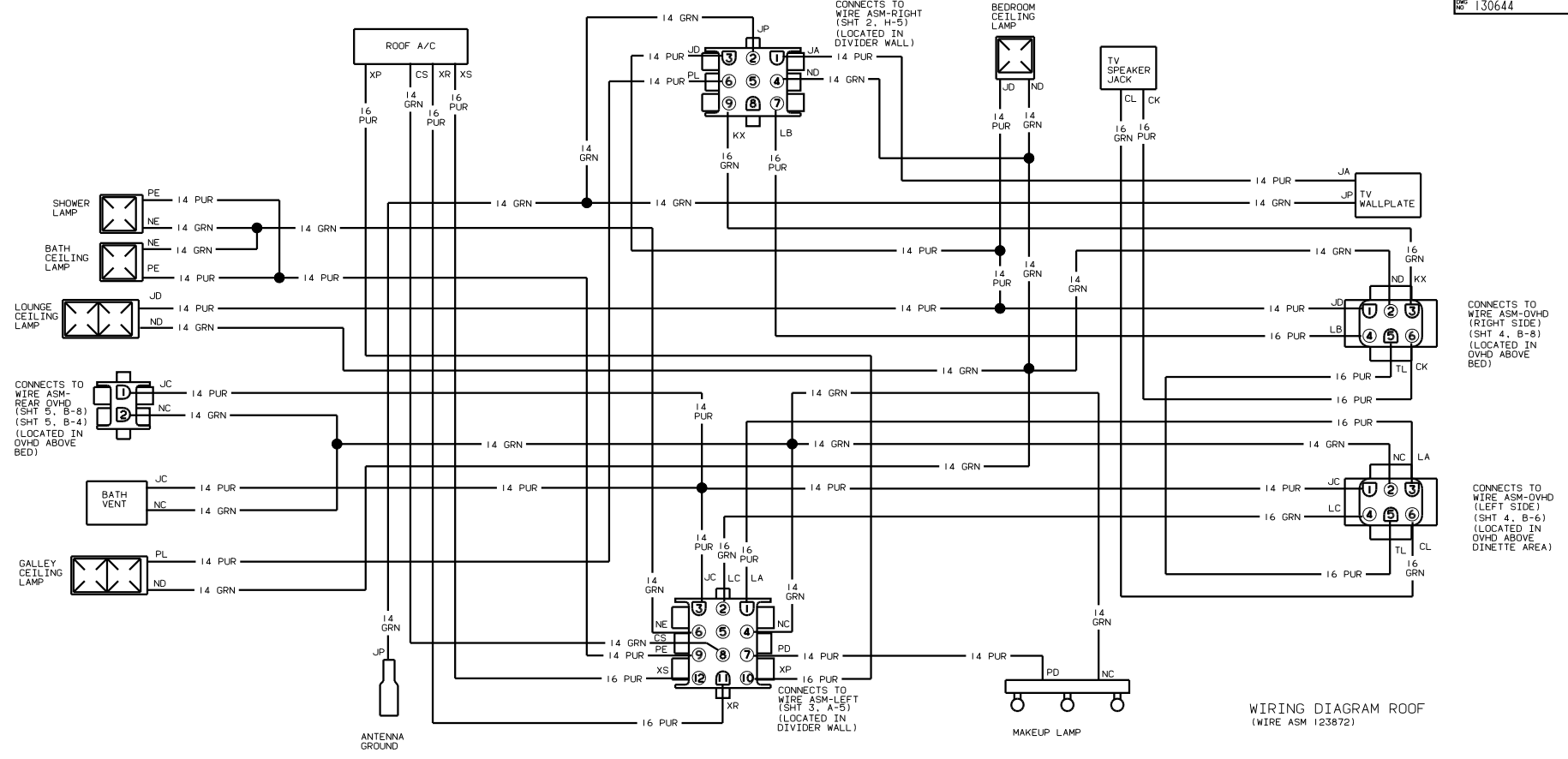
(8)

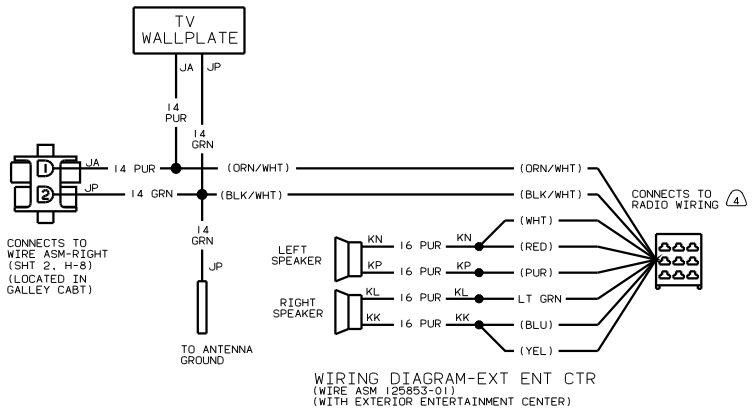
(9)

- (5) 10 GA WIRE USED WITH 03T.
- (4) DO NOT CONNECT WITH 1E5 A/C ROOF EXPORT-ONE
- (3) WITH JAPAN UNITS ONLY.
- (2) SEE SHT 1 FOR ADDITIONAL INFORMATION.
- (1) SEE MANUFACTURER'S DIAGRAM FOR ADDITIONAL INFORMATION.

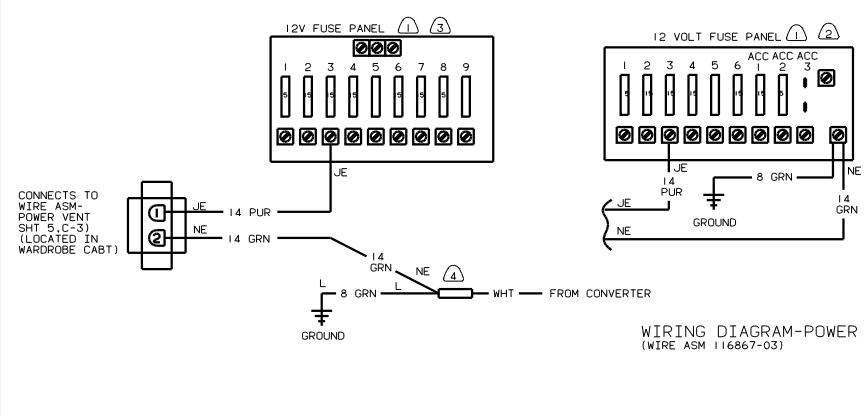
WIRING DIAGRAM LEFT  
 (WIRE ASM 123876-01)  
 (WIRE ASM 123876-02)  
 (WITH WIE EXPORT PACKAGE)

99 F25F

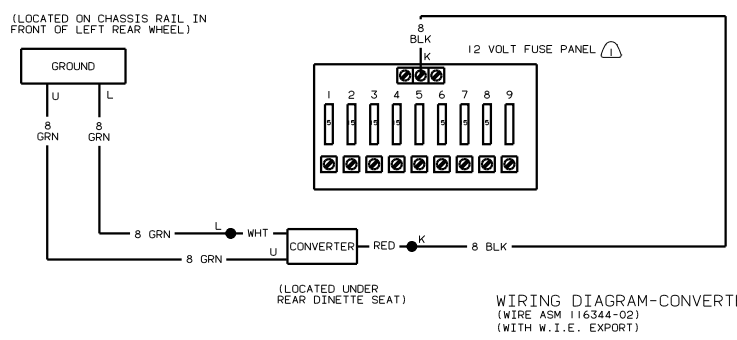




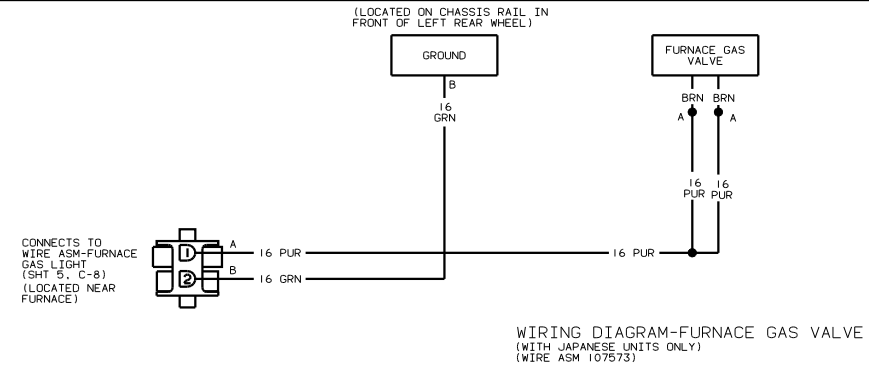
WIRING DIAGRAM-EXT ENT CTR  
(WIRE ASM 125953-01)  
(WITH EXTERIOR ENTERTAINMENT CENTER)



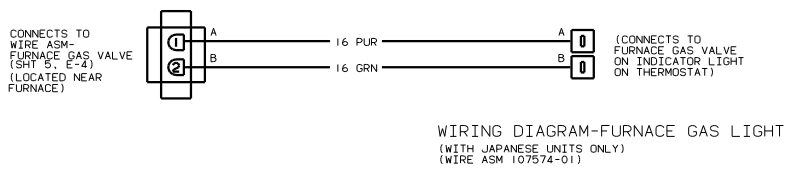
WIRING DIAGRAM-POWER VENT  
(WIRE ASM 116867-03)



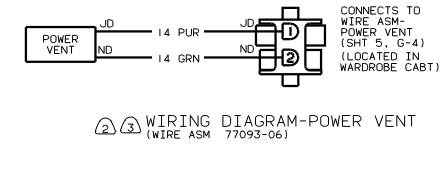
WIRING DIAGRAM-CONVERTER  
(WIRE ASM 116344-02)  
(WITH W.I.E. EXPORT)



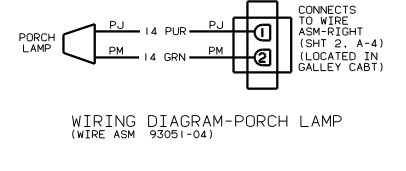
WIRING DIAGRAM-FURNACE GAS VALVE  
(WITH JAPANESE UNITS ONLY)  
(WIRE ASM 107573)



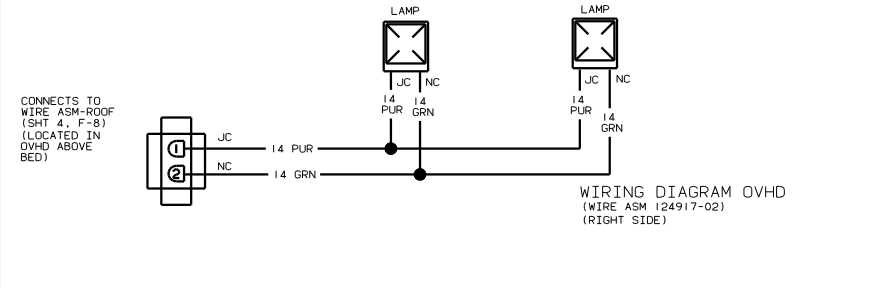
WIRING DIAGRAM-FURNACE GAS LIGHT  
(WITH JAPANESE UNITS ONLY)  
(WIRE ASM 107574-01)



WIRING DIAGRAM-POWER VENT  
(WIRE ASM 77093-06)

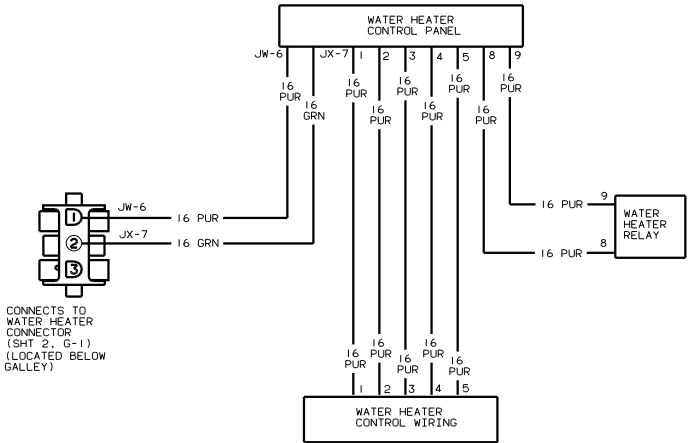


WIRING DIAGRAM-PORCH LAMP  
(WIRE ASM 93051-04)

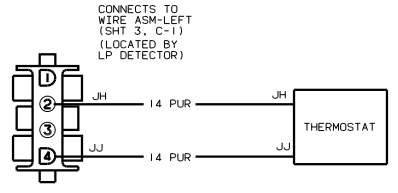


WIRING DIAGRAM OVHD  
(WIRE ASM 124917-02)  
(RIGHT SIDE)

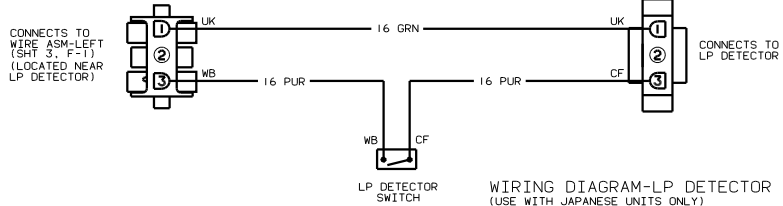
④ SEE MANUFACTURER'S DIAGRAM FOR ADDITIONAL INFORMATION.  
 ⑤ USE WITH WIE EXPORT PREP PACKAGE.  
 ② USE WITH U.S. AND JAPAN.  
 ① SEE SHT 3 FOR ADDITIONAL INFORMATION.



WIRING DIAGRAM WATER HEATER  
 (WIRE ASM 111879-04)  
 (WITH WIE EXPORT PACKAGE)



WIRING DIAGRAM THERMOSTAT  
 (WIRE ASM 117252)  
 (WITH WIE EXPORT PREP PACKAGE)



WIRING DIAGRAM-LP DETECTOR SWITCH  
 (USE WITH JAPANESE UNITS ONLY)  
 (WIRE ASM 115733)