



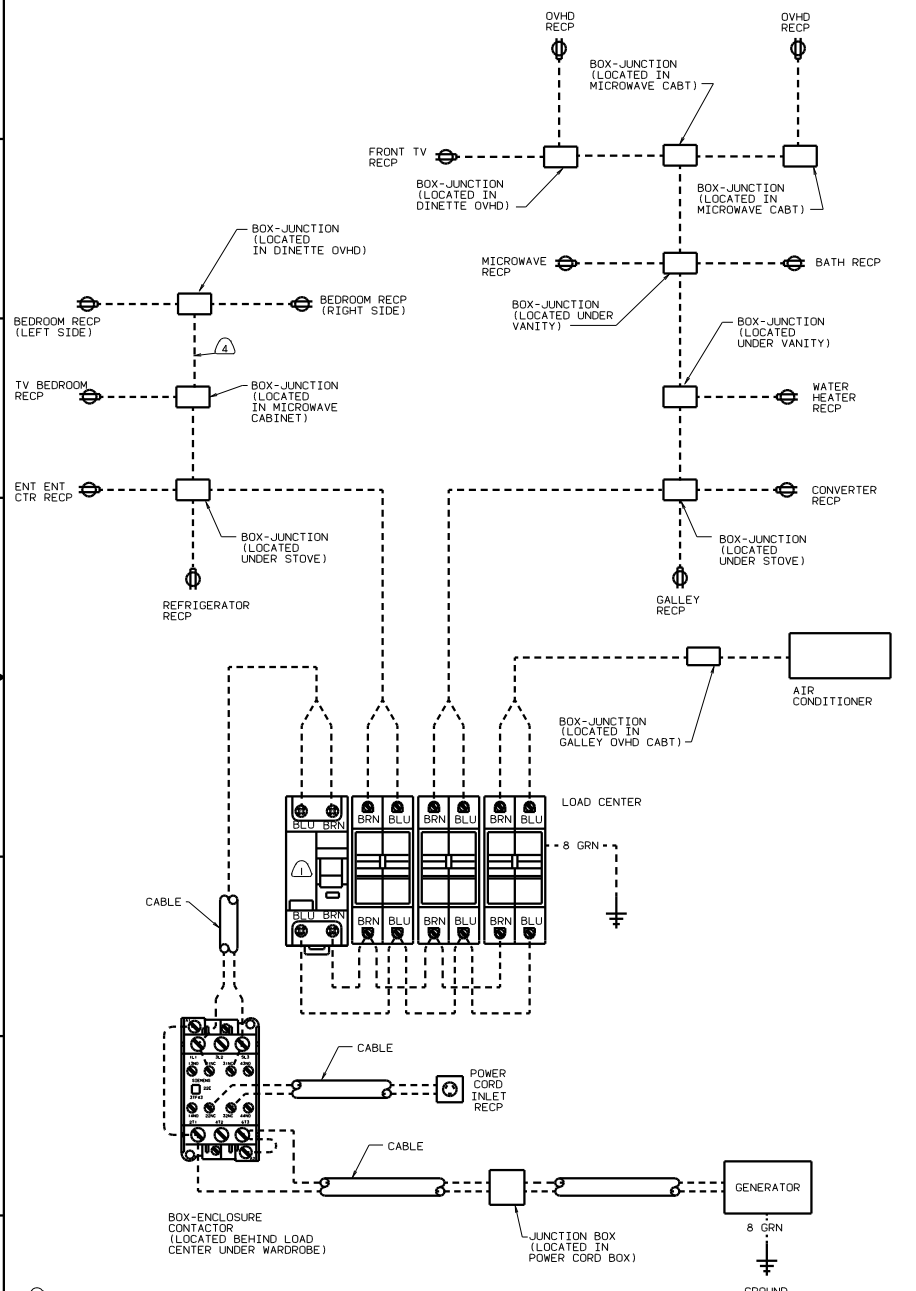
DANGER

Danger of electrical shock, burns or death. Always remove all power sources before attempting any repair, service or diagnostic work. Power can be present from shore power, generator, inverter or battery. All power sources must be disabled and secured before performing any service.



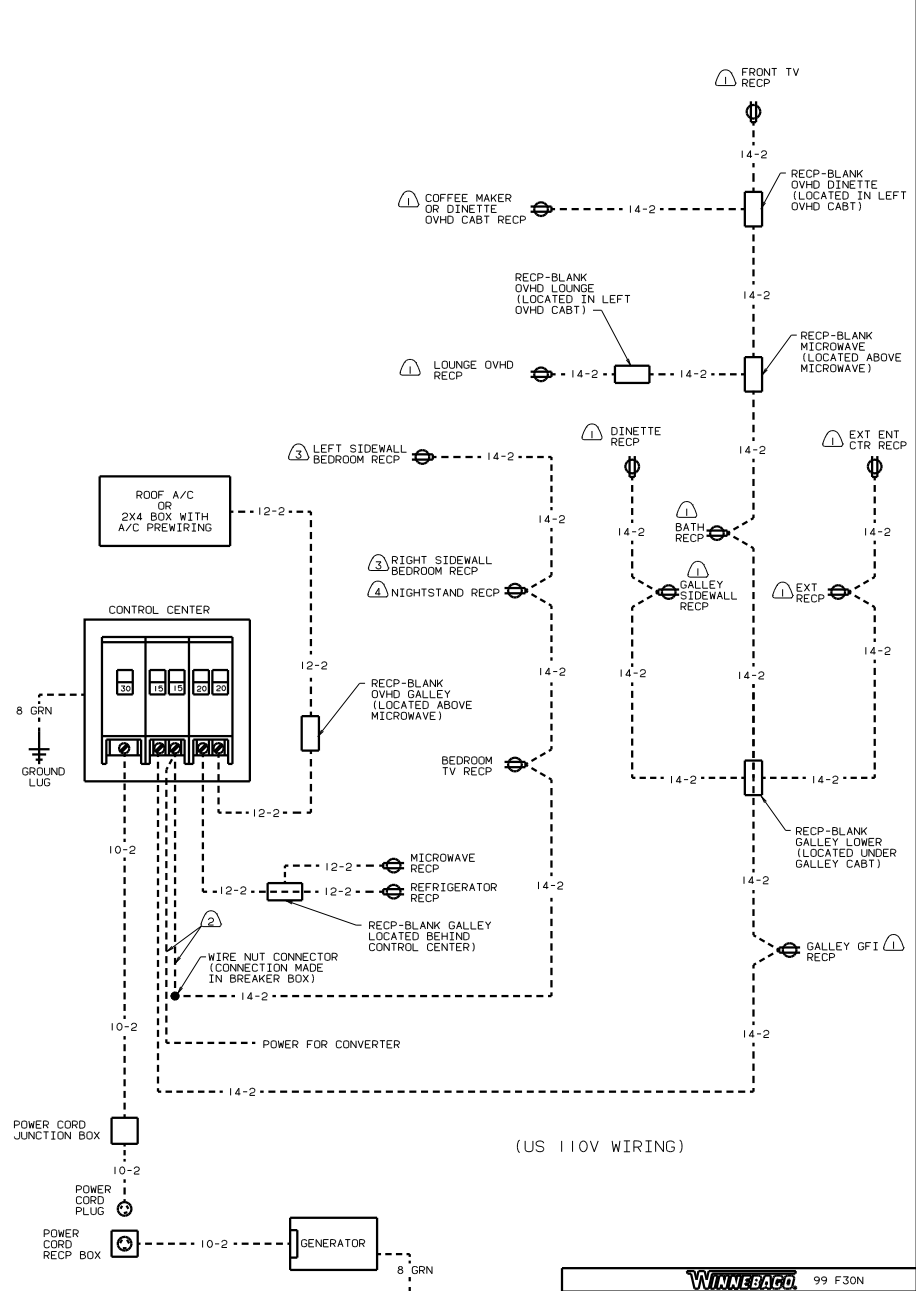
CAUTION

If you lack the skills, tools or equipment to perform diagnostic or repair work leave such work to an authorized Winnebago Industries dealer or other qualified shop.



NOTES:
 ④ WITH TWIN BEDS.
 ③ WITH QUEEN BED.
 ② LEAD SUPPLIED WITH CONVERTER.
 ① PROTECTED BY GROUND FAULT INTERRUPTER RECP.

(EUROPEAN 220V WIRING)
 031 EUROPEAN EXPORT PREP PACKAGE



(US 110V WIRING)

OF IN	DATE	UNDESIGNED TOLERANCES ARE	MATERIAL
CHP	DATE	WELD DIM (1:1)	
PIE	DATE	ONE-PLACE (1:1)	
D/E	DATE	TWO-PLACE (1:1)	
DATE	DATE	ANGLE	
COMP	DATE	INDIC. WELD PROJECTION	

WINNEBAGO 99 F30N
 WIRING DIAGRAM-BODY 110V
 SHEET 1 OF 1
 REF: 128171-A 1
 130610