



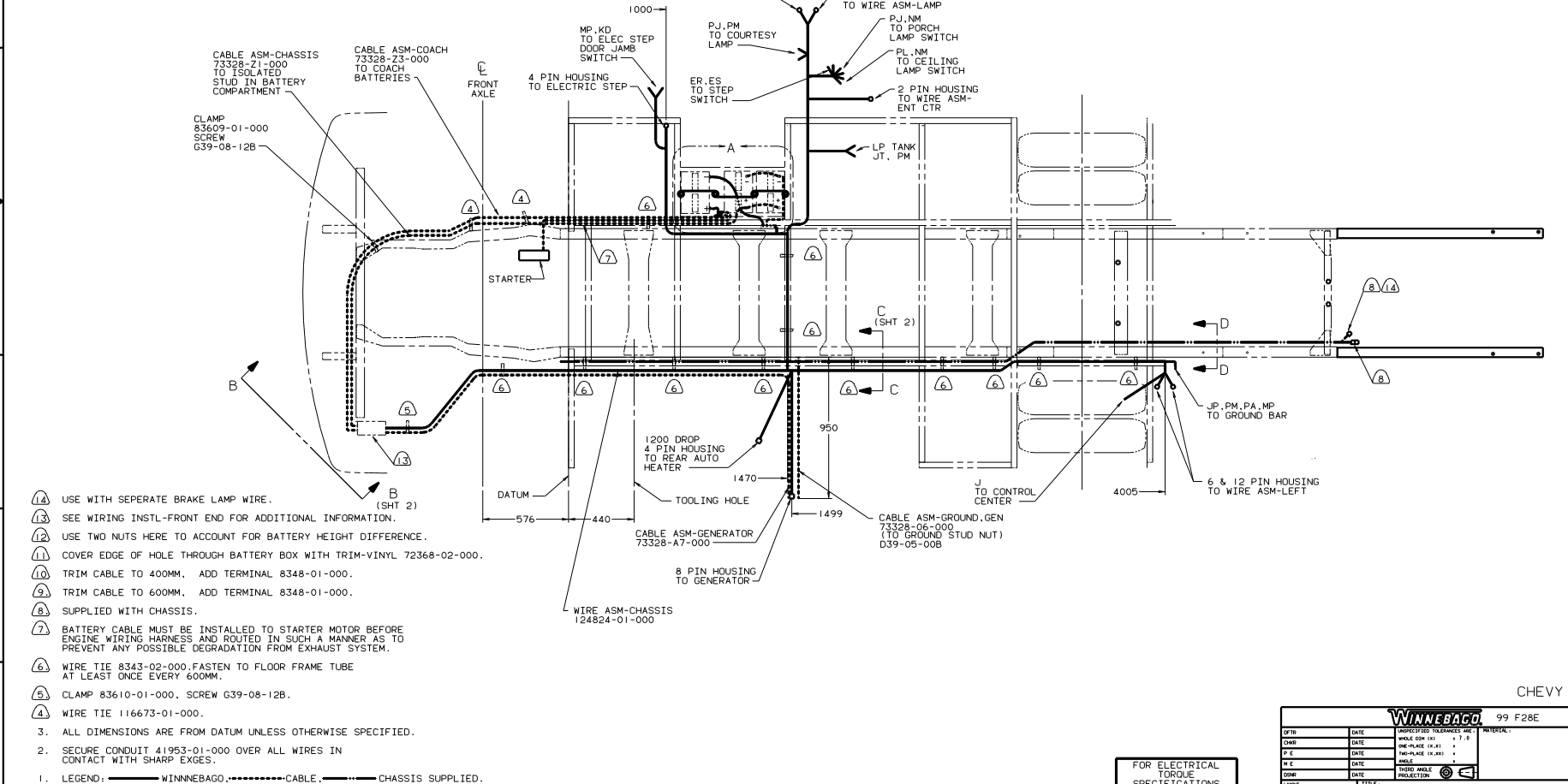
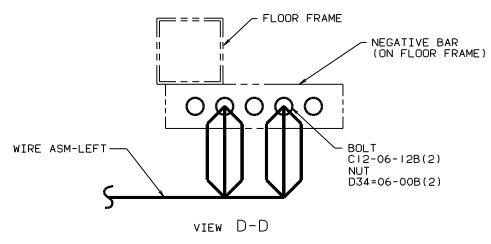
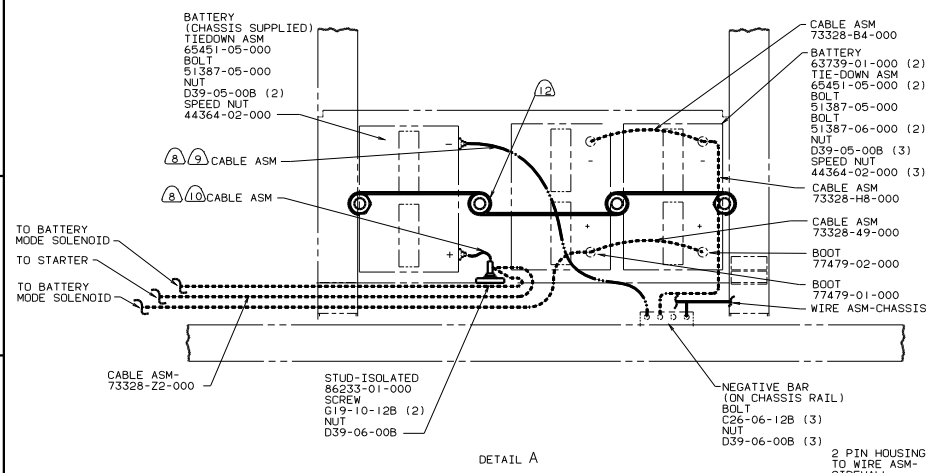
DANGER

Danger of electrical shock, burns or death. Always remove all power sources before attempting any repair, service or diagnostic work. Power can be present from shore power, generator, inverter or battery. All power sources must be disabled and secured before performing any service.



CAUTION

If you lack the skills, tools or equipment to perform diagnostic or repair work leave such work to an authorized Winnebago Industries dealer or other qualified shop.



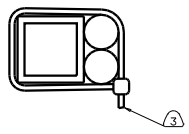
- 14 USE WITH SEPERATE BRAKE LAMP WIRE.
 - 13 SEE WIRING INSTL-FRONT END FOR ADDITIONAL INFORMATION.
 - 12 USE TWO NUTS HERE TO ACCOUNT FOR BATTERY HEIGHT DIFFERENCE.
 - 11 COVER EDGE OF HOLE THROUGH BATTERY BOX WITH TRIM-VINYL 72368-02-000.
 - 10 TRIM CABLE TO 400MM. ADD TERMINAL 8348-01-000.
 - 9 TRIM CABLE TO 600MM. ADD TERMINAL 8348-01-000.
 - 8 SUPPLIED WITH CHASSIS.
 - 7 BATTERY CABLE MUST BE INSTALLED TO STARTER MOTOR BEFORE ENGINE WIRING HARNESS AND ROUTED IN SUCH A MANNER AS TO PREVENT ANY POSSIBLE DEGRADATION FROM EXHAUST SYSTEM.
 - 6 WIRE TIE 8343-02-000.FASTEN TO FLOOR FRAME TUBE AT LEAST ONCE EVERY 600MM.
 - 5 CLAMP 83610-01-000. SCREW G39-08-12B.
 - 4 WIRE TIE 116673-01-000.
3. ALL DIMENSIONS ARE FROM DATUM UNLESS OTHERWISE SPECIFIED.
2. SECURE CONDUIT 41953-01-000 OVER ALL WIRES IN CONTACT WITH SHARP EXGES.
1. LEGEND: — WINNEBAGO. - - - - - CABLE. ——— CHASSIS SUPPLIED.

FOR ELECTRICAL TORQUE SPECIFICATIONS SEE DWG NO. 128783-01-000

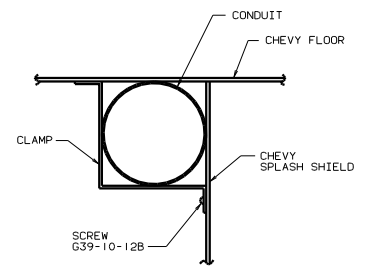
CHEVY 99 F28E

OF IN	DATE	UNSPECIFIED TOLERANCES ARE:	MATERIAL
CHP	DATE	WHOLE DIM (M)	F 1/8
DFE	DATE	ONE-PLACE (R, .01)	
DVE	DATE	TWO-PLACE (R, .001)	
DVE	DATE	THREE-PLACE (R, .0005)	
CDR	DATE	THIRD ANGLE PROJECTION	

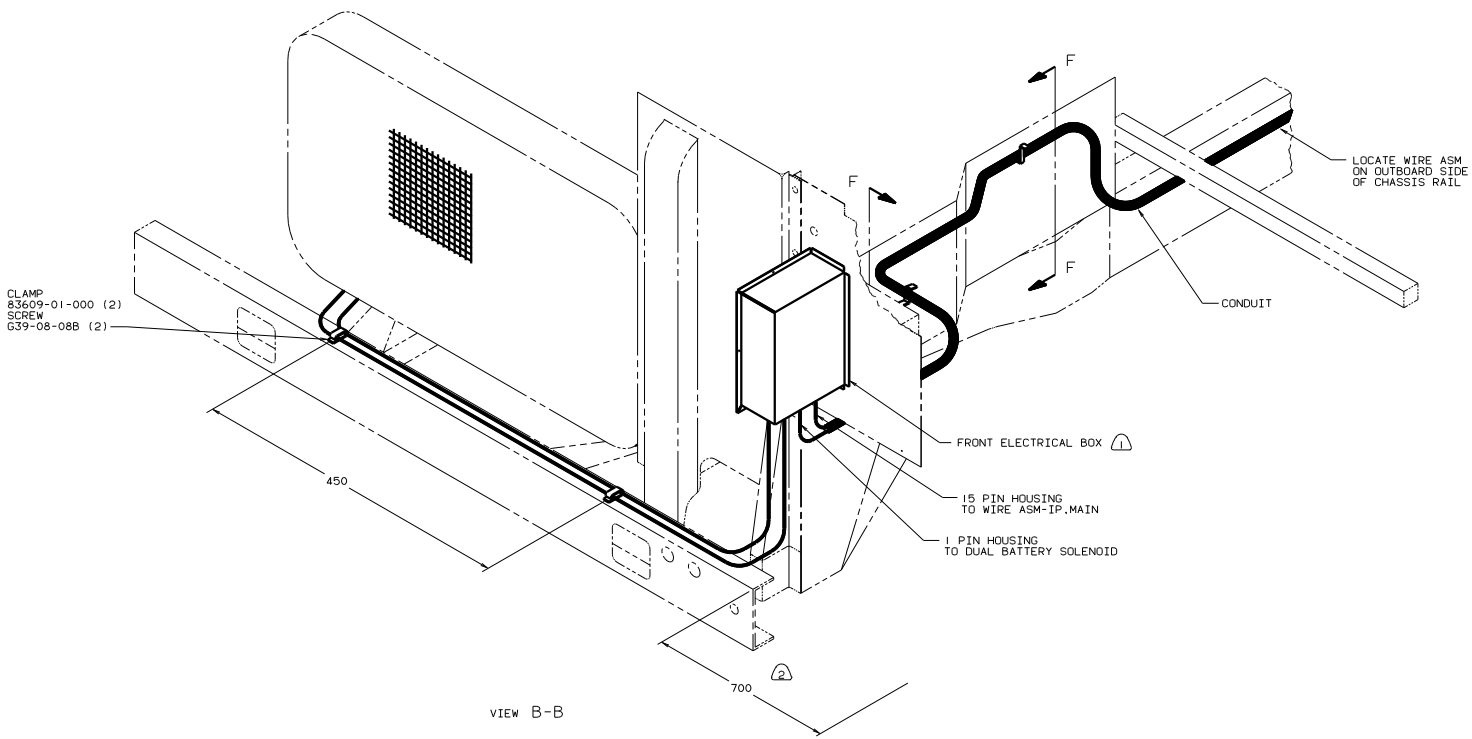
LANE# - - - - - TITLE: WIRING INSTL-CHASSIS
 REF: 128060-0
 SHEET 1 OF 2



VIEW C-C



VIEW F-F



VIEW B-B

- NOTES:
- ③ CUT OFF EXCESS END OF WIRE TIE.
 - ② LAY BATTERY AND GENERATOR CABLES TO THIS DIMENSION TO START INSTALLATION.
 - ① SEE WIRING INSTL-FRONT END FOR ADDITIONAL INFORMATION.

FOR ELECTRICAL TORQUE SPECIFICATIONS SEE DWG NO 128783-01-000

TITLE: WIRING INSTL-CHASSIS		99 F28E	
NO. OF SHEETS	2 OF 2	REV	1 E
DWG NO 130603			