



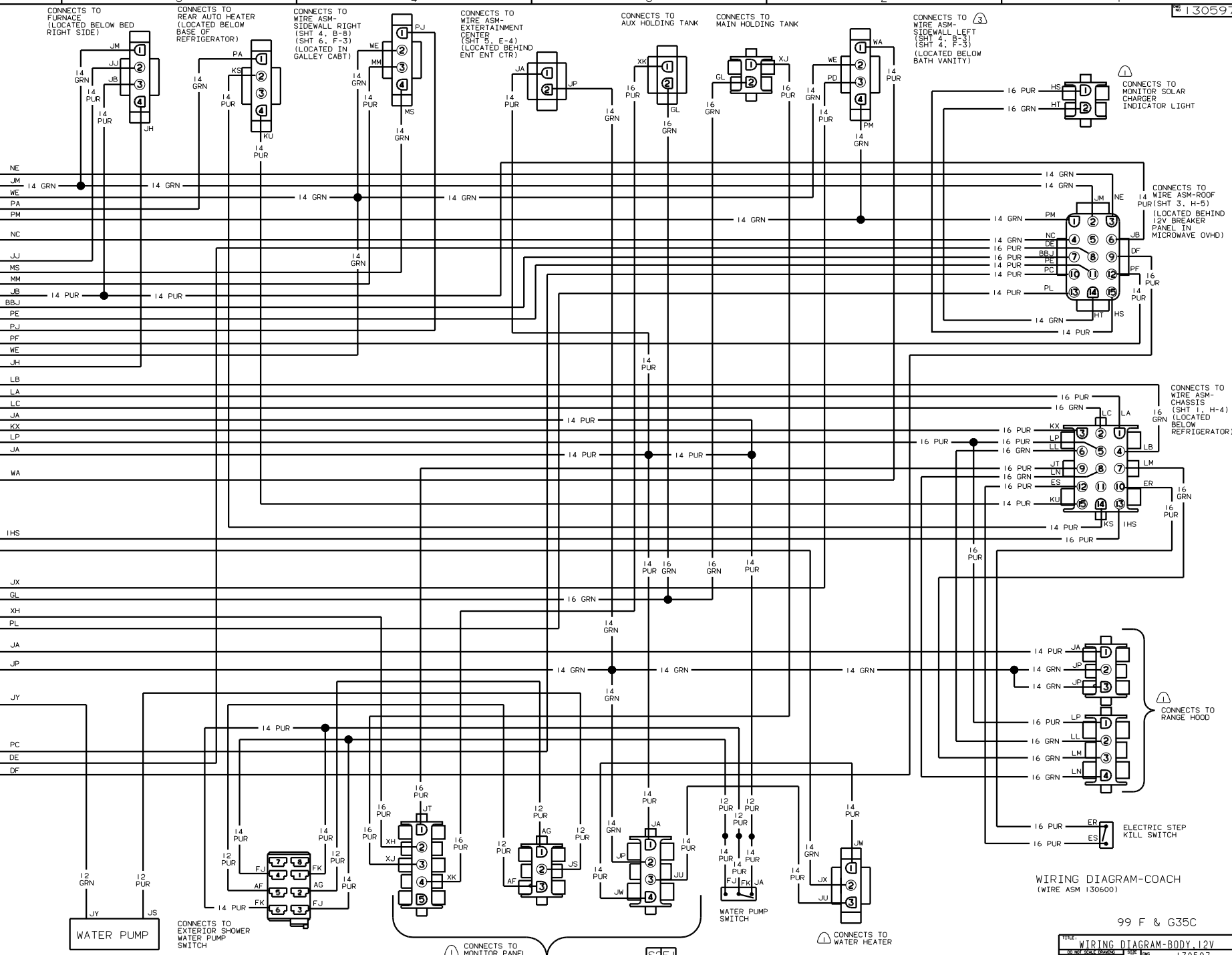
DANGER

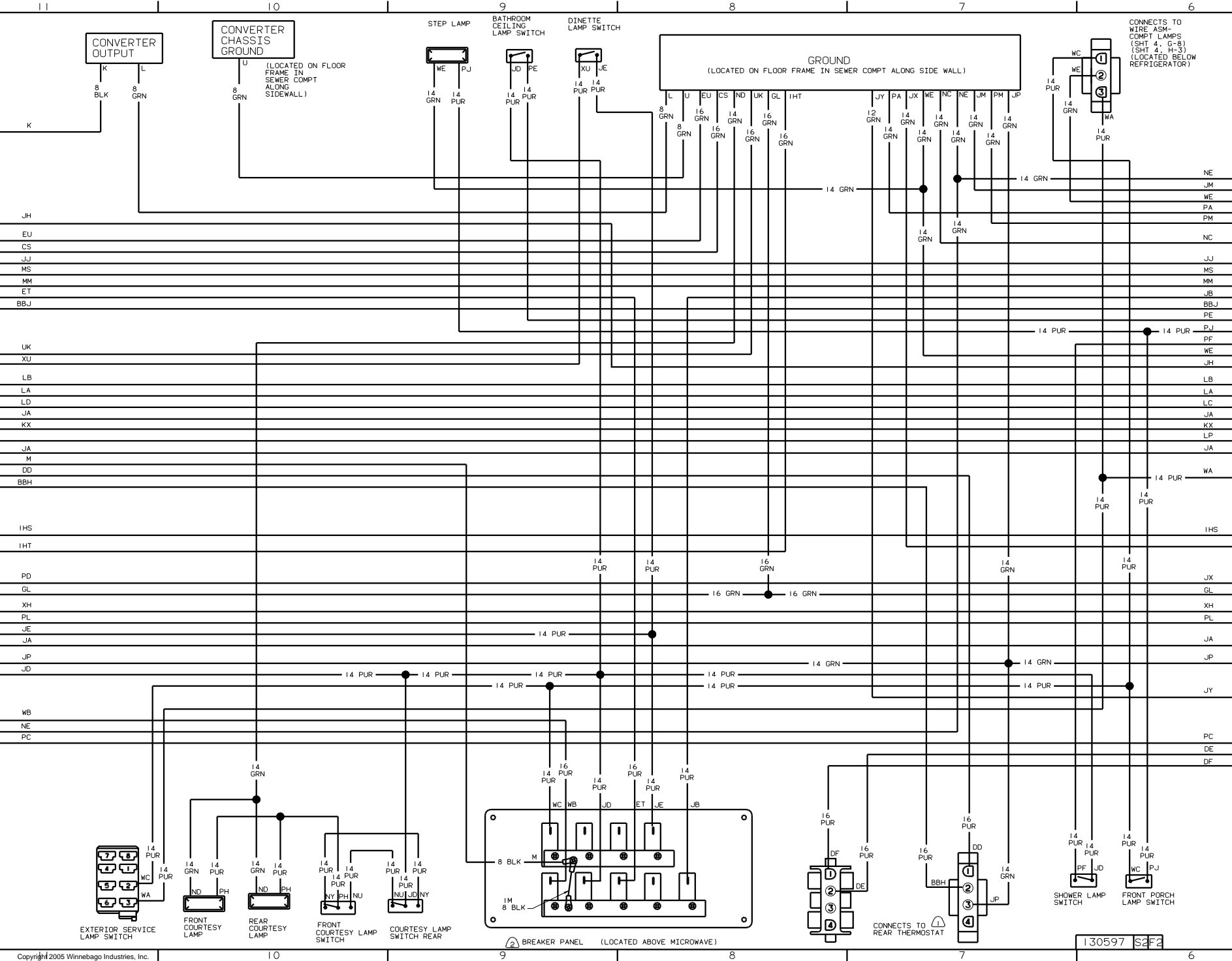
Danger of electrical shock, burns or death. Always remove all power sources before attempting any repair, service or diagnostic work. Power can be present from shore power, generator, inverter or battery. All power sources must be disabled and secured before performing any service.

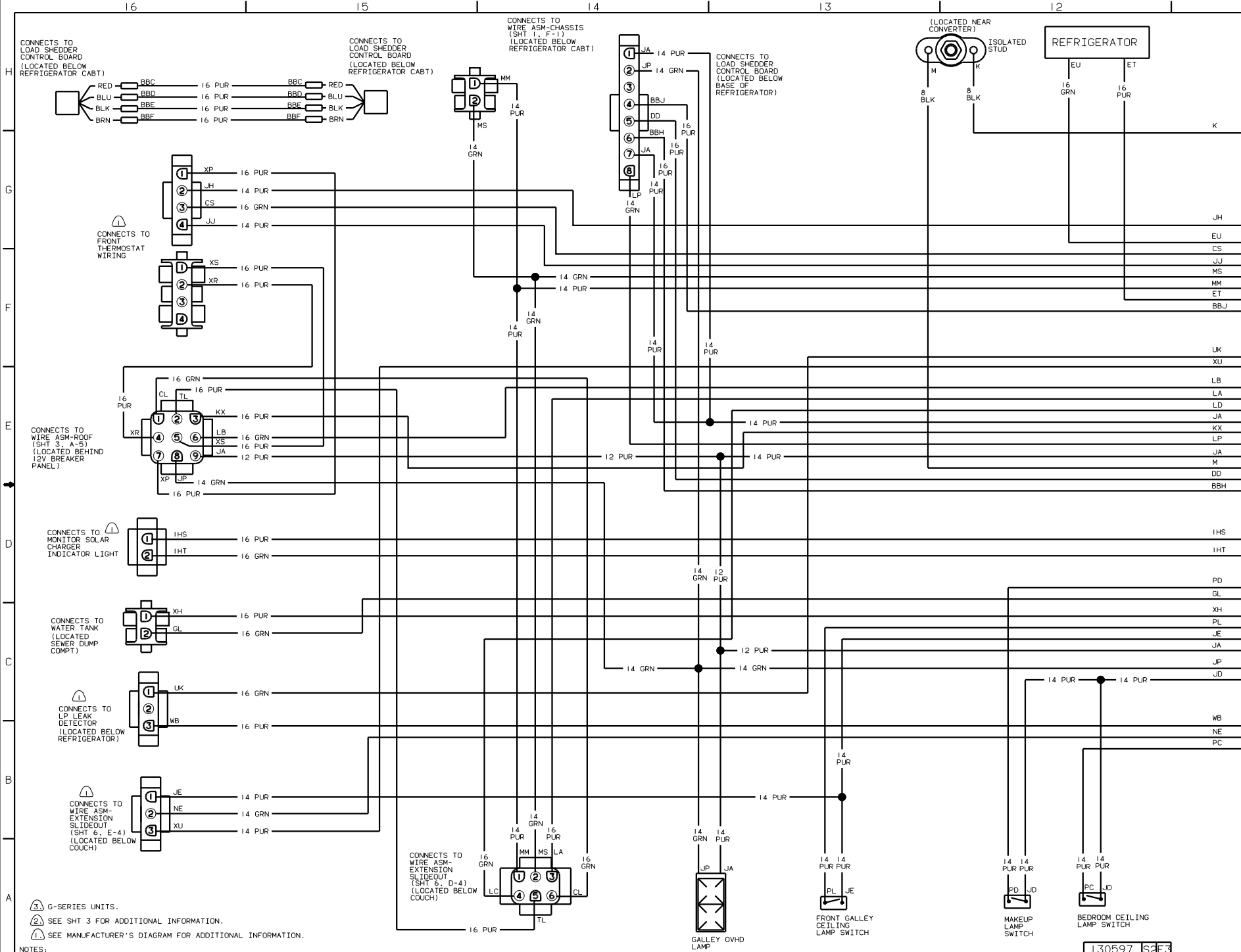


CAUTION

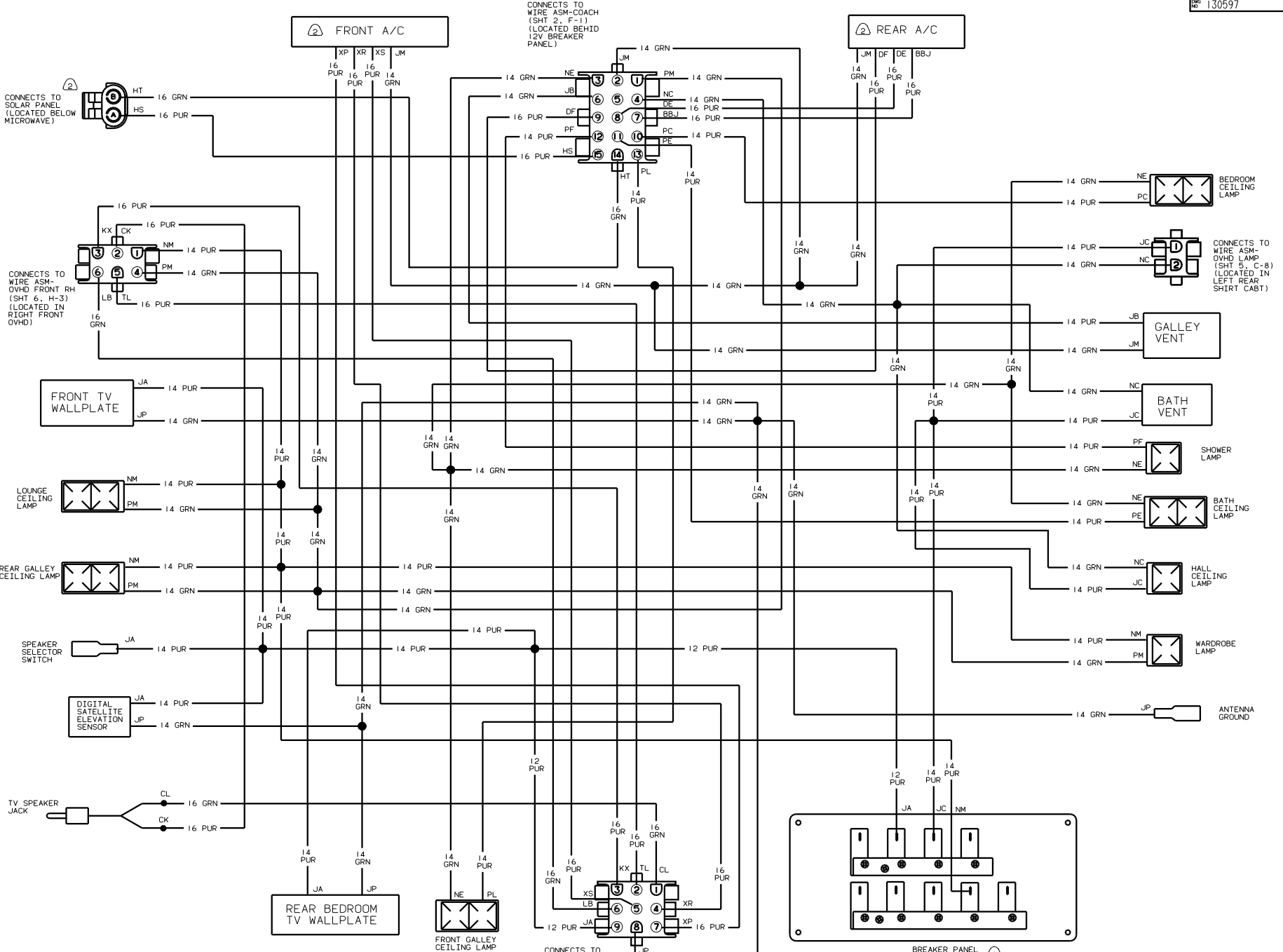
If you lack the skills, tools or equipment to perform diagnostic or repair work leave such work to an authorized Winnebago Industries dealer or other qualified shop.







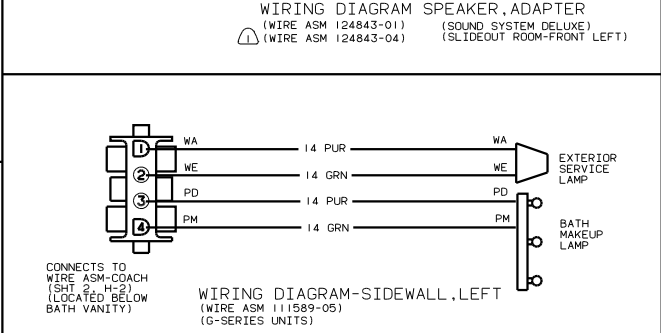
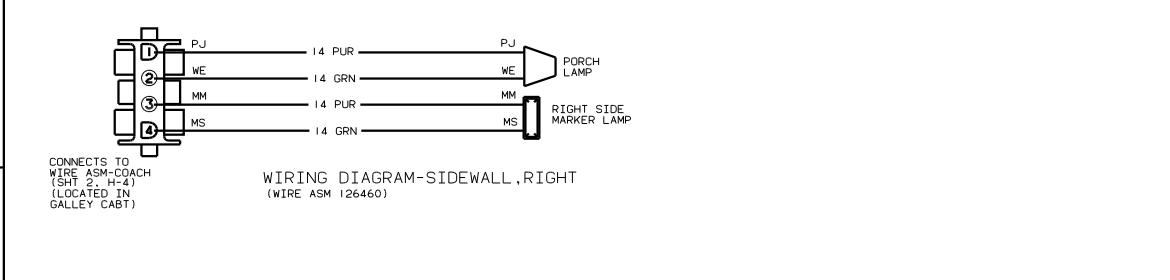
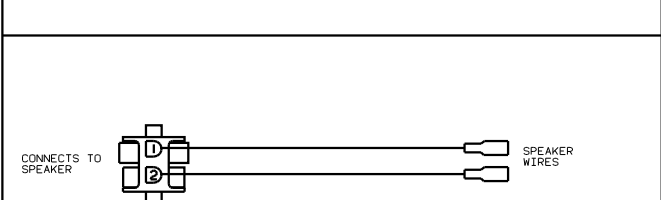
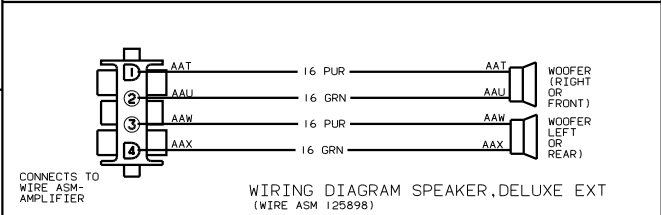
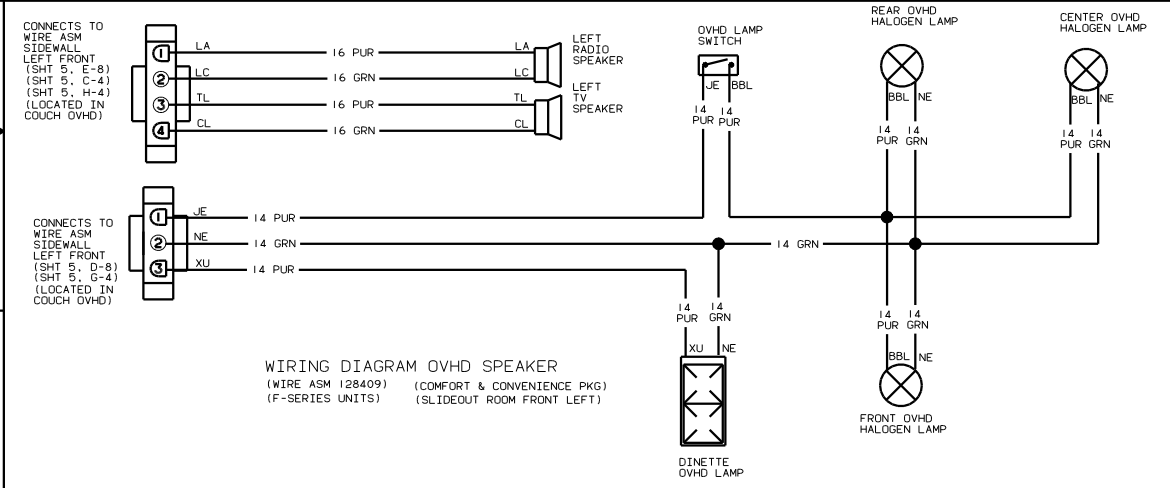
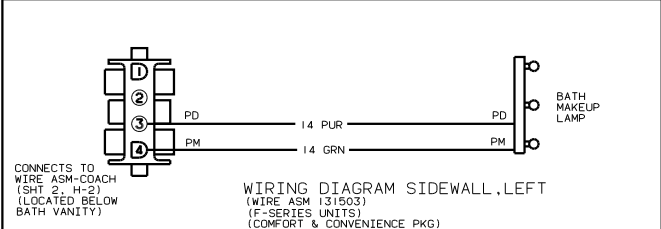
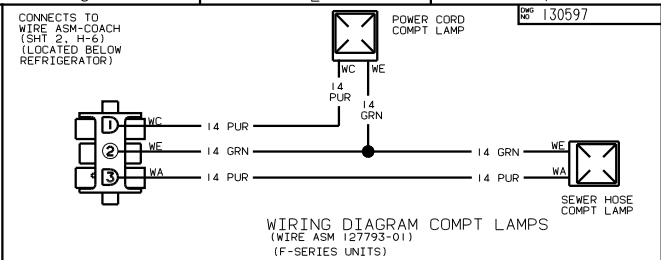
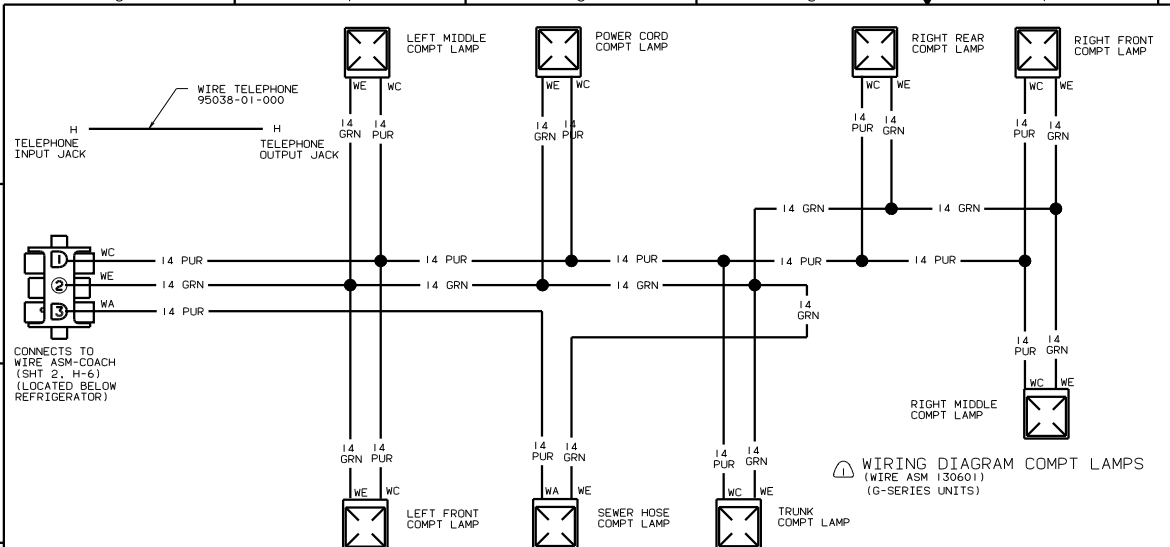
- ③ G-SERIES UNITS.
- ② SEE SHT 3 FOR ADDITIONAL INFORMATION.
- ① SEE MANUFACTURER'S DIAGRAM FOR ADDITIONAL INFORMATION.



⚠️ SEE MANUFACTURER'S DIAGRAM FOR ADDITIONAL INFORMATION.
 ⚠️ SEE SHT 2 FOR ADDITIONAL INFORMATION.

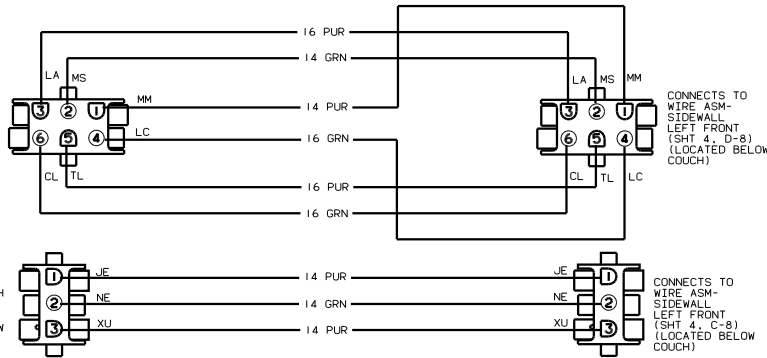
WIRING DIAGRAM ROOF
 (WIRE ASM 130599)

99 F & G35C	
TITLE: WIRING DIAGRAM-BODY_12V	
DATE: 11/16/05	REV: 1.0
DRAWN BY: J.E.	CHECKED BY: J.E.
SHEET 3 OF 6	130597



NOTES:
① LEFT SIDE ONLY.

CONNECTS TO WIRE ASM-COACH (SHT 5, F-3) (SHT 6, C-8) (LOCATED BELOW COUCH IN BASEMENT)



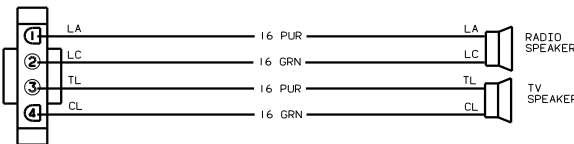
2) WIRING DIAGRAM-EXTENSION, COACH
(WIRE ASM 127026)

CONNECTS TO WIRE ASM-COACH (SHT 5, H-1) (SHT 6, E-8) (LOCATED BELOW COUCH IN BASEMENT)

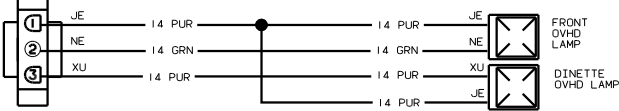


CONNECTS TO WIRE ASM-SIDEWALL LEFT FRONT (SHT 4, C-8) (LOCATED BELOW COUCH)

CONNECTS TO WIRE ASM-SIDEWALL LEFT FRONT (SHT 4, E-8) (SHT 5, H-4) (SHT 5, C-4) (SHT 6, H-8) (LOCATED IN COUCH OVERHEAD)

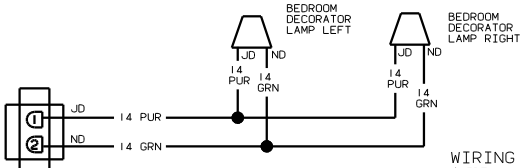


CONNECTS TO WIRE ASM-SIDEWALL LEFT FRONT (SHT 4, D-8) (SHT 5, G-4) (SHT 5, B-4) (SHT 6, G-8) (LOCATED IN COUCH OVERHEAD)



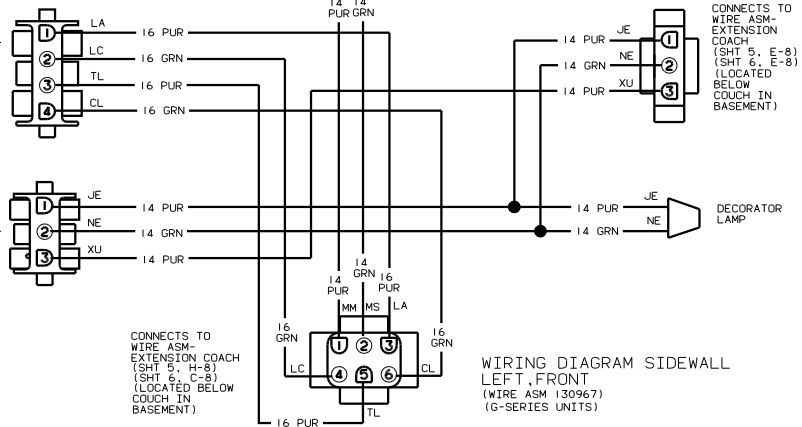
WIRING DIAGRAM-FRONT, LH
(WIRE ASM 127027-02)
(QUEEN BED)
(SLIDEOUT ROOM FRONT LEFT W/O)

CONNECTS TO WIRE ASM-ROOF (SHT 3, F-1) (LOCATED IN LEFT REAR SHIRT CABT)

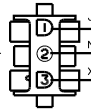


WIRING DIAGRAM-OVHD, REAR
(WIRE ASM 125266)
(TWIN BEDS)
(QUEEN BED)

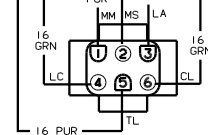
CONNECTS TO WIRE ASM-OVHD FRONT LEFT (SHT 4, E-8) (SHT 5, E-8) (SHT 6, H-8) (LOCATED IN COUCH OVHD)



CONNECTS TO WIRE ASM-OVHD FRONT LEFT (SHT 4, D-8) (SHT 5, D-8) (SHT 5, B-4) (SHT 6, G-8) (LOCATED IN COUCH OVHD)

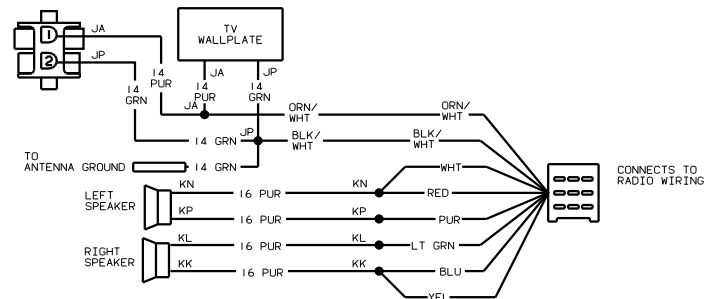


CONNECTS TO WIRE ASM-EXTENSION COACH (SHT 5, H-8) (SHT 6, C-8) (LOCATED BELOW COUCH IN BASEMENT)



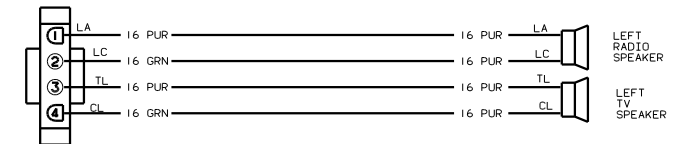
WIRING DIAGRAM SIDEWALL LEFT, FRONT
(WIRE ASM 130967)
(G-SERIES UNITS)

CONNECTS TO WIRE ASM COACH (SHT 2, H-4) (LOCATED BEHIND EXT ENT CTR)

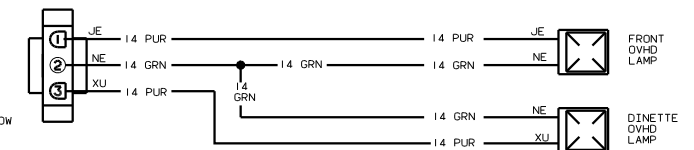


WIRING DIAGRAM-ENTERTAINMENT CENTER
(WIRE ASM-125853-01)
(WITH EXTERIOR ENTERTAINMENT CENTER)

CONNECTS TO WIRE ASM-SIDEWALL LEFT FRONT (SHT 4, E-8) (SHT 5, H-4) (SHT 5, E-8) (SHT 6, H-8) (LOCATED IN COUCH OVHD)



CONNECTS TO WIRE ASM-SIDEWALL LEFT FRONT (SHT 4, D-8) (SHT 5, G-4) (SHT 5, D-8) (SHT 6, G-8) (LOCATED BELOW COUCH OVHD)



WIRING DIAGRAM-OVHD, FRONT, LH
(WIRE ASM 127733-01)
(SLIDEOUT ROOM-LEFT FRONT)

99 F & G35C

