



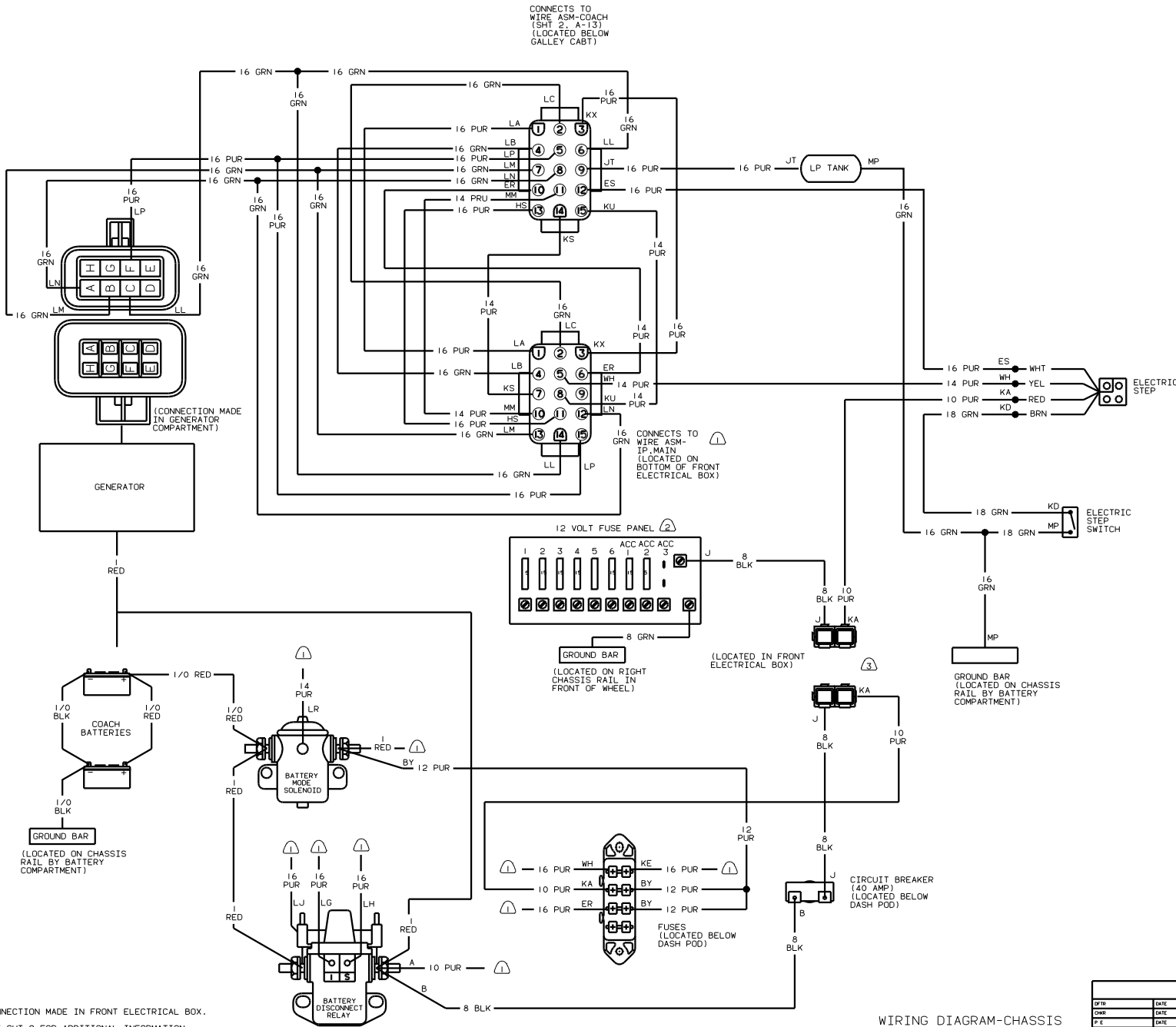
DANGER

Danger of electrical shock, burns or death. Always remove all power sources before attempting any repair, service or diagnostic work. Power can be present from shore power, generator, inverter or battery. All power sources must be disabled and secured before performing any service.



CAUTION

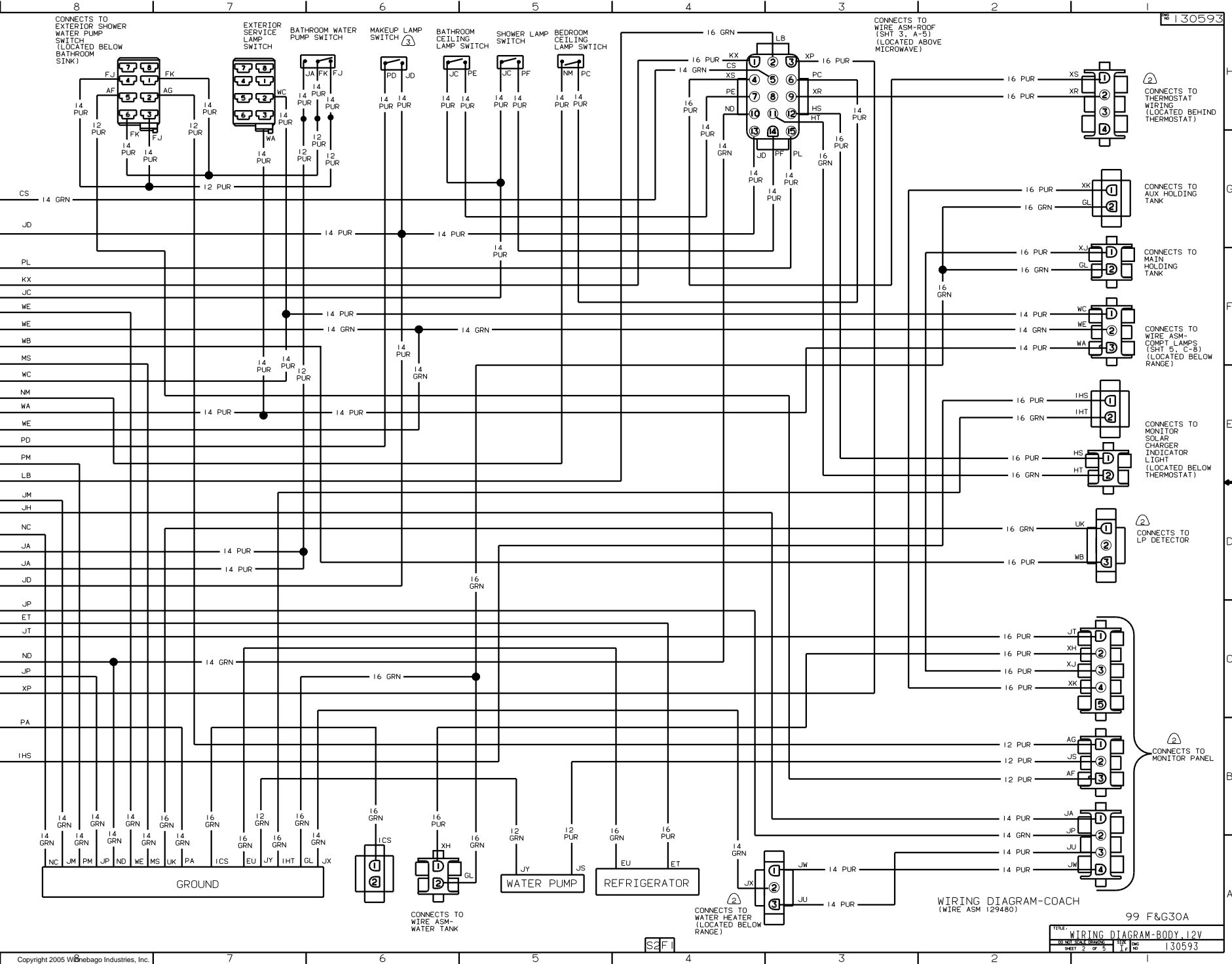
If you lack the skills, tools or equipment to perform diagnostic or repair work leave such work to an authorized Winnebago Industries dealer or other qualified shop.



- ③ CONNECTION MADE IN FRONT ELECTRICAL BOX.
- ② SEE SHT 2 FOR ADDITIONAL INFORMATION.
- ① SEE WIRING DIAGRAM-AUTO FOR ADDITIONAL INFORMATION.

WIRING DIAGRAM-CHASSIS (WIRE ASM 127089)

| | | |
|-----------|-----------------------------|-----------|
| WINNEBAGO | | 99 F&G30A |
| DATE | UNSPECIFIED TOLERANCES ARE: | INVERTAL |
| DATE | WHOLE DIM INCH | + |
| DATE | ONE-PLACE IN .01 | + |
| DATE | TWO-PLACE IN .001 | + |
| DATE | ANGLE | |
| DATE | INDIC. W/ANGLE | |
| DATE | PROJECTION | |
| LAYOUT | TITLE | |
| DATE | WIRING DIAGRAM-BODY 12V | |
| SCALE | NO NET SCALE CHANGING | |
| DATE | SHEET 1 OF 5 | 130593 |



CONNECTS TO EXTERIOR SHOWER WATER PUMP SWITCH (LOCATED BELOW BATHROOM SINK)

EXTERIOR SERVICE LAMP SWITCH

BATHROOM WATER PUMP SWITCH

MAKEUP LAMP SWITCH

BATHROOM CEILING LAMP SWITCH

SHOWER LAMP SWITCH

BEDROOM CEILING LAMP SWITCH

CONNECTS TO WIRE ASM-ROOF (SHT 3, A-5) (LOCATED ABOVE MICROWAVE)

CONNECTS TO THERMOSTAT WIRING (LOCATED BEHIND THERMOSTAT)

CONNECTS TO AUX HOLDING TANK

CONNECTS TO MAIN HOLDING TANK

CONNECTS TO WIRE ASM-COMPT LAMPS (SHT 5, C-8) (LOCATED BELOW RANGE)

CONNECTS TO MONITOR SOLAR CHARGER INDICATOR LIGHT (LOCATED BELOW THERMOSTAT)

CONNECTS TO LP DETECTOR

CONNECTS TO MONITOR PANEL

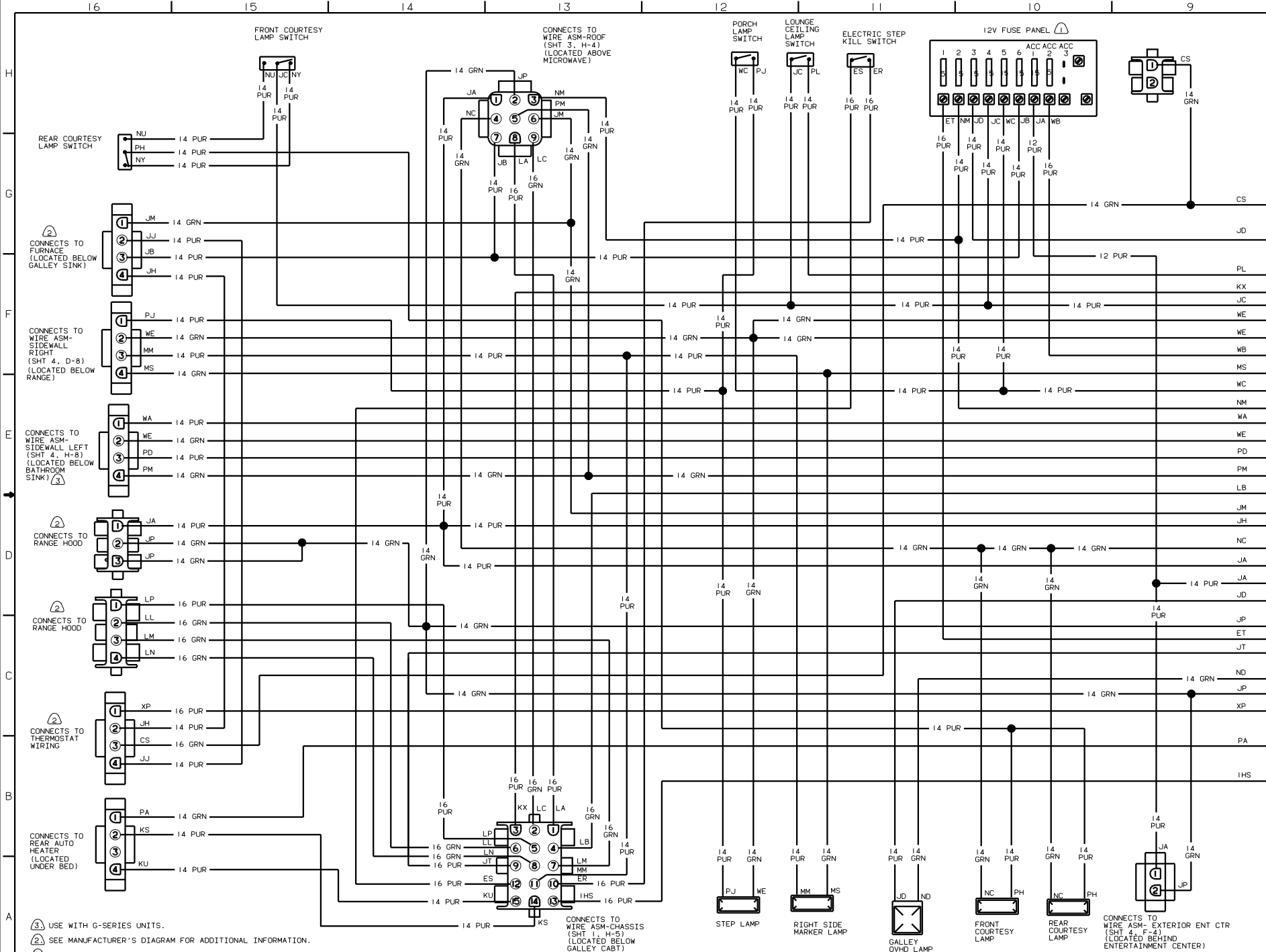
CONNECTS TO WATER HEATER (LOCATED BELOW RANGE)

CONNECTS TO WATER HEATER (LOCATED BELOW RANGE)

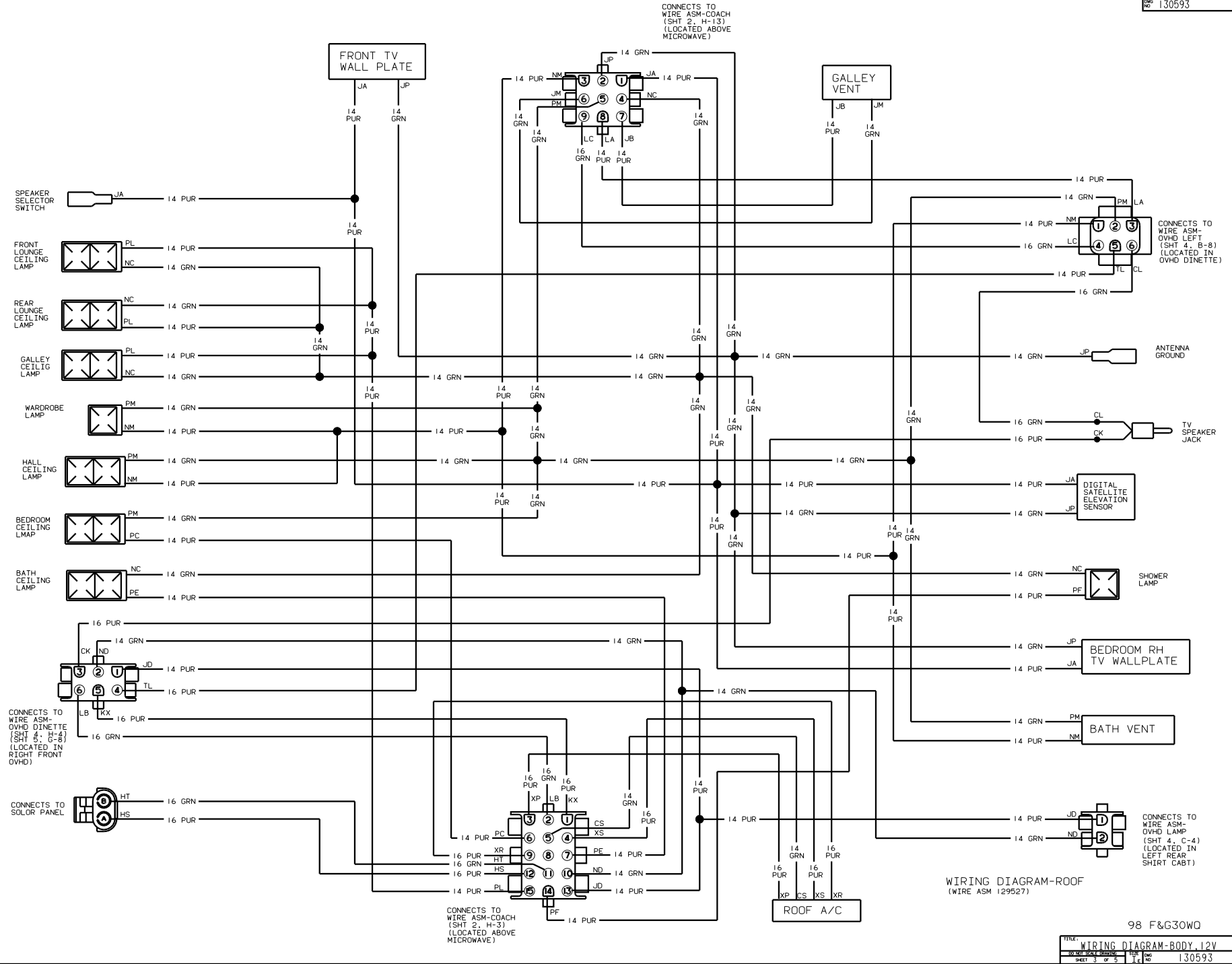
WIRING DIAGRAM-COACH (WIRE ASM 129480)

99 F&G30A

WIRING DIAGRAM-BODY.12V



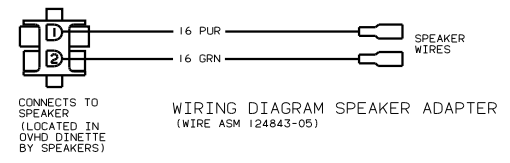
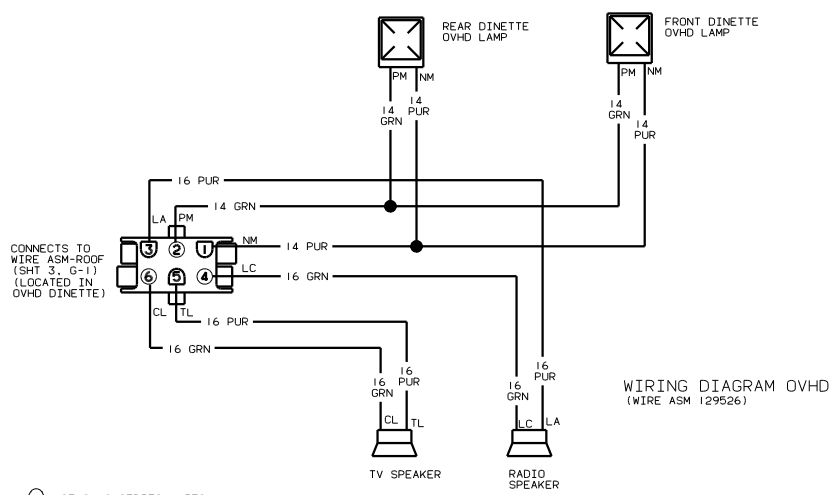
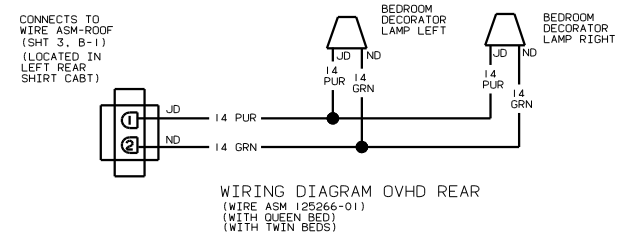
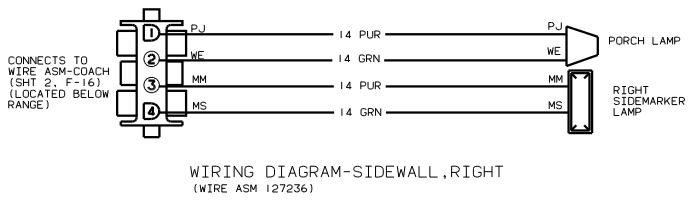
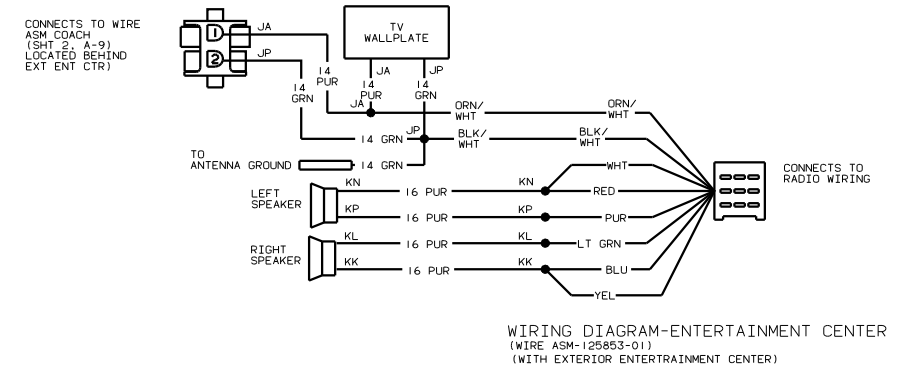
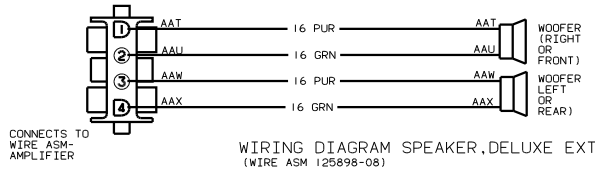
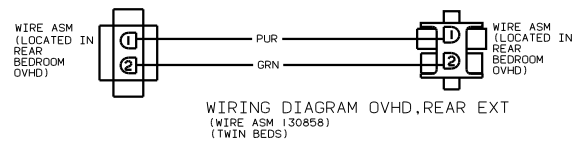
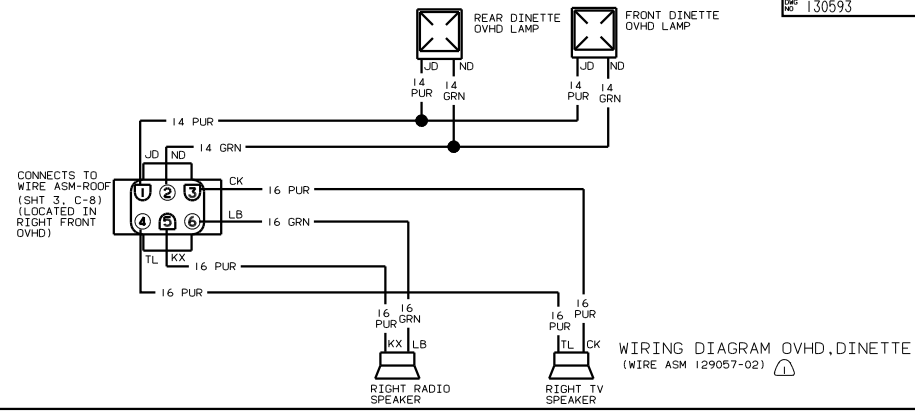
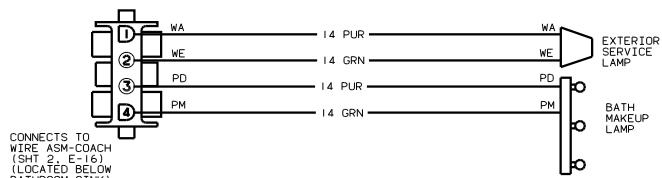
- ③ USE WITH G-SERIES UNITS.
- ② SEE MANUFACTURER'S DIAGRAM FOR ADDITIONAL INFORMATION.
- ① SEE SHT 1 FOR ADDITIONAL INFORMATION.



WIRING DIAGRAM-ROOF
(WIRE ASM 129527)

98 F&G30WQ

| | |
|--------------------------------|------------------|
| TITLE: WIRING DIAGRAM-BODY 12V | |
| NO. OF SHEETS: 5 | SHEET NO. 3 OF 5 |
| REV. NO. | 1.0 |
| 130593 | |



USE ON G-SERIES UNITS.

