



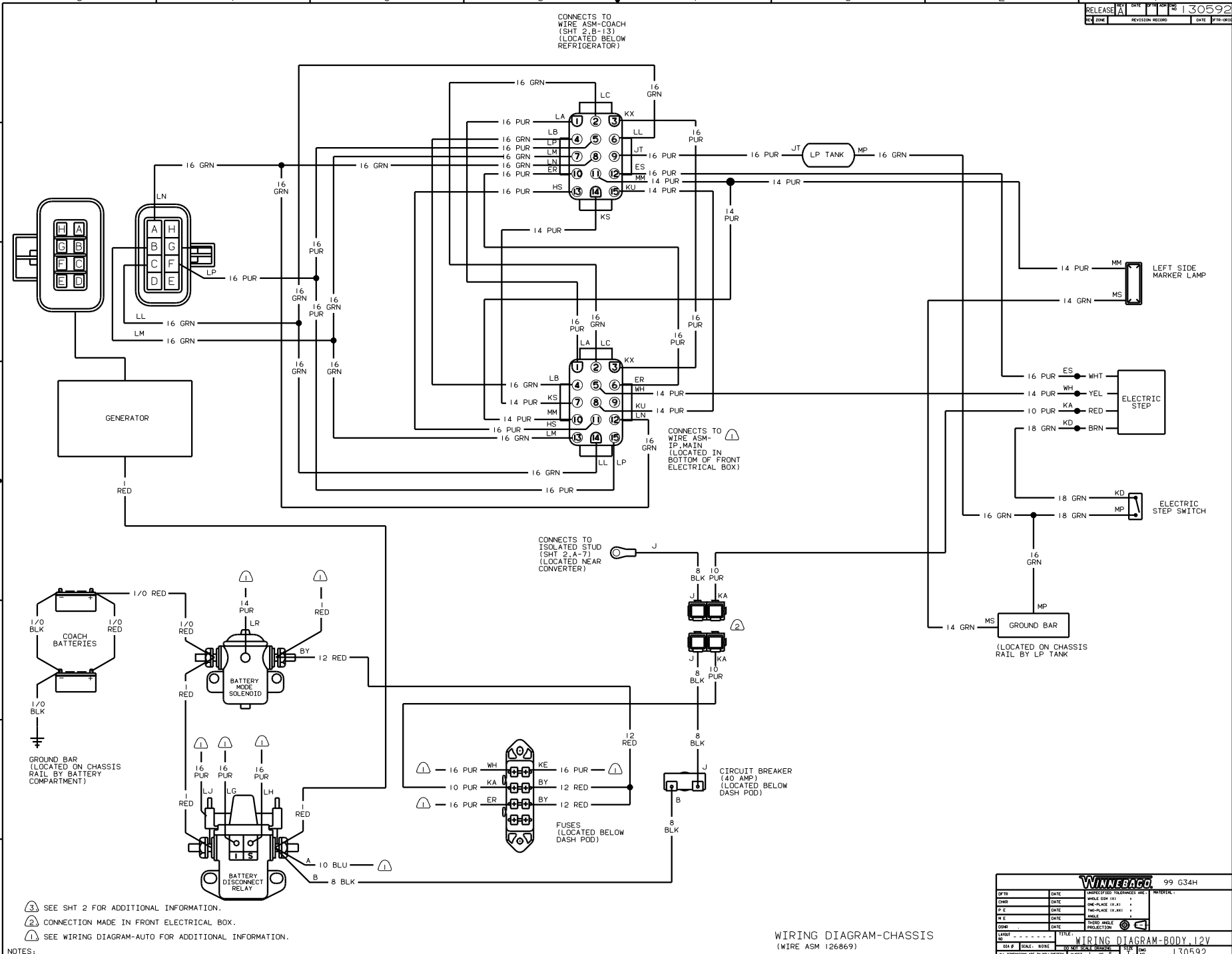
DANGER

Danger of electrical shock, burns or death. Always remove all power sources before attempting any repair, service or diagnostic work. Power can be present from shore power, generator, inverter or battery. All power sources must be disabled and secured before performing any service.



CAUTION

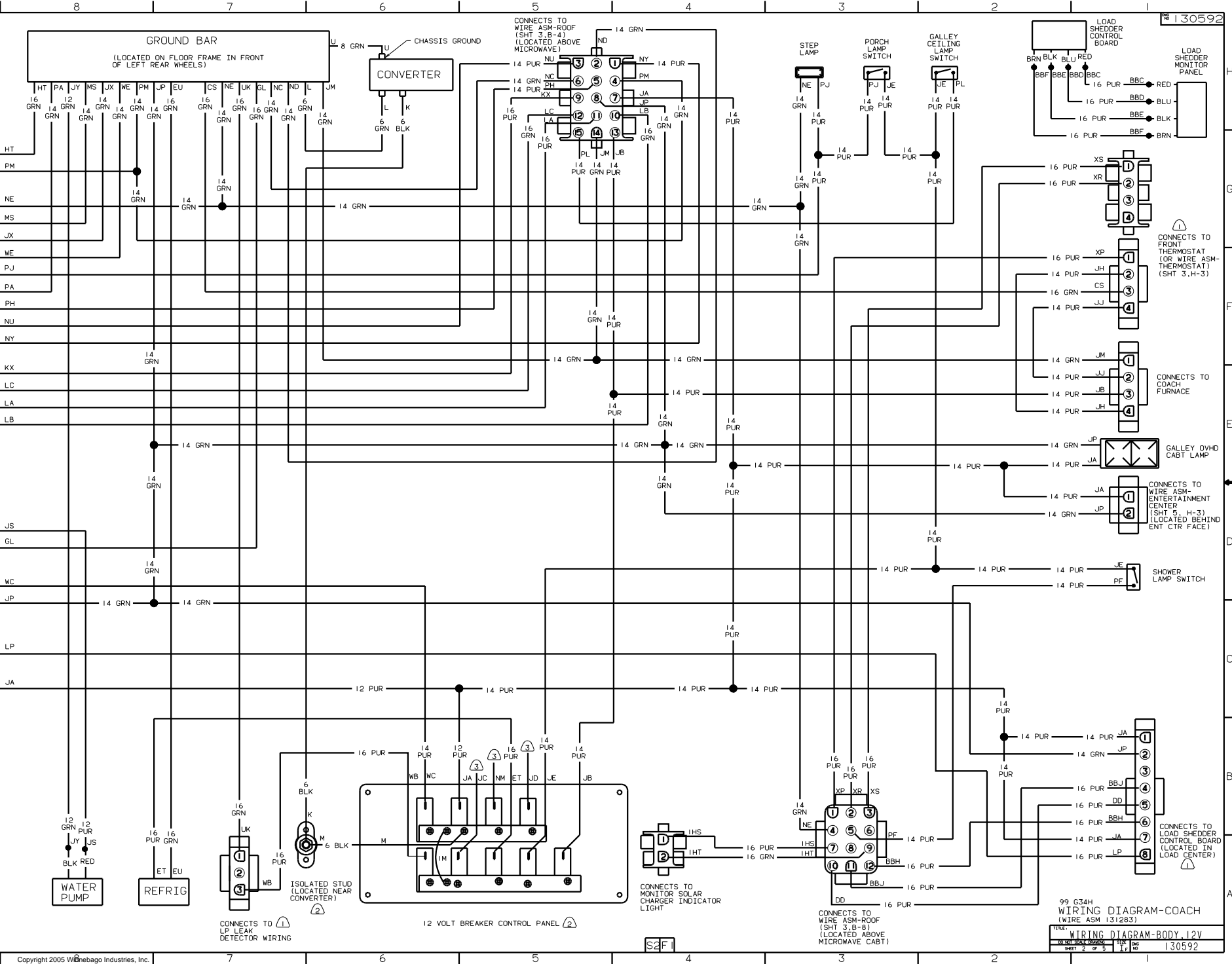
If you lack the skills, tools or equipment to perform diagnostic or repair work leave such work to an authorized Winnebago Industries dealer or other qualified shop.



- 3 SEE SHT 2 FOR ADDITIONAL INFORMATION.
 2 CONNECTION MADE IN FRONT ELECTRICAL BOX.
 1 SEE WIRING DIAGRAM-AUTO FOR ADDITIONAL INFORMATION.

WIRING DIAGRAM-CHASSIS
 (WIRE ASM 126869)

WINNEBAGO			
99 G34H			
DATE	BY	DESCRIPTION	APPROVED
LAYOUT BY: _____ TITLE: WIRING DIAGRAM-BODY 12V DRAWN BY: _____ SCALE: NONE 100% FULL SCALE DRAWING PAPER NO: _____ ALL DIMENSIONS ARE IN MILLIMETERS SHEET 1 OF 5 TYPED BY: _____ 130592			



130592

GROUND BAR
(LOCATED ON FLOOR FRAME IN FRONT OF LEFT REAR WHEELS)

CONVERTER

CONNECTS TO WIRE ASM-ROOF (SHT 3,B-4) (LOCATED ABOVE MICROWAVE)

CONNECTS TO 12 VOLT BREAKER CONTROL PANEL

CONNECTS TO MONITOR SOLAR CHARGER INDICATOR LIGHT

CONNECTS TO WIRE ASM-ROOF (SHT 3,B-8) (LOCATED ABOVE MICROWAVE CABT)

LOAD SHEDDER CONTROL BOARD

LOAD SHEDDER MONITOR PANEL

CONNECTS TO FRONT THERMOSTAT (OR WIRE ASM-THERMOSTAT) (SHT 3,H-3)

CONNECTS TO COACH FURNACE

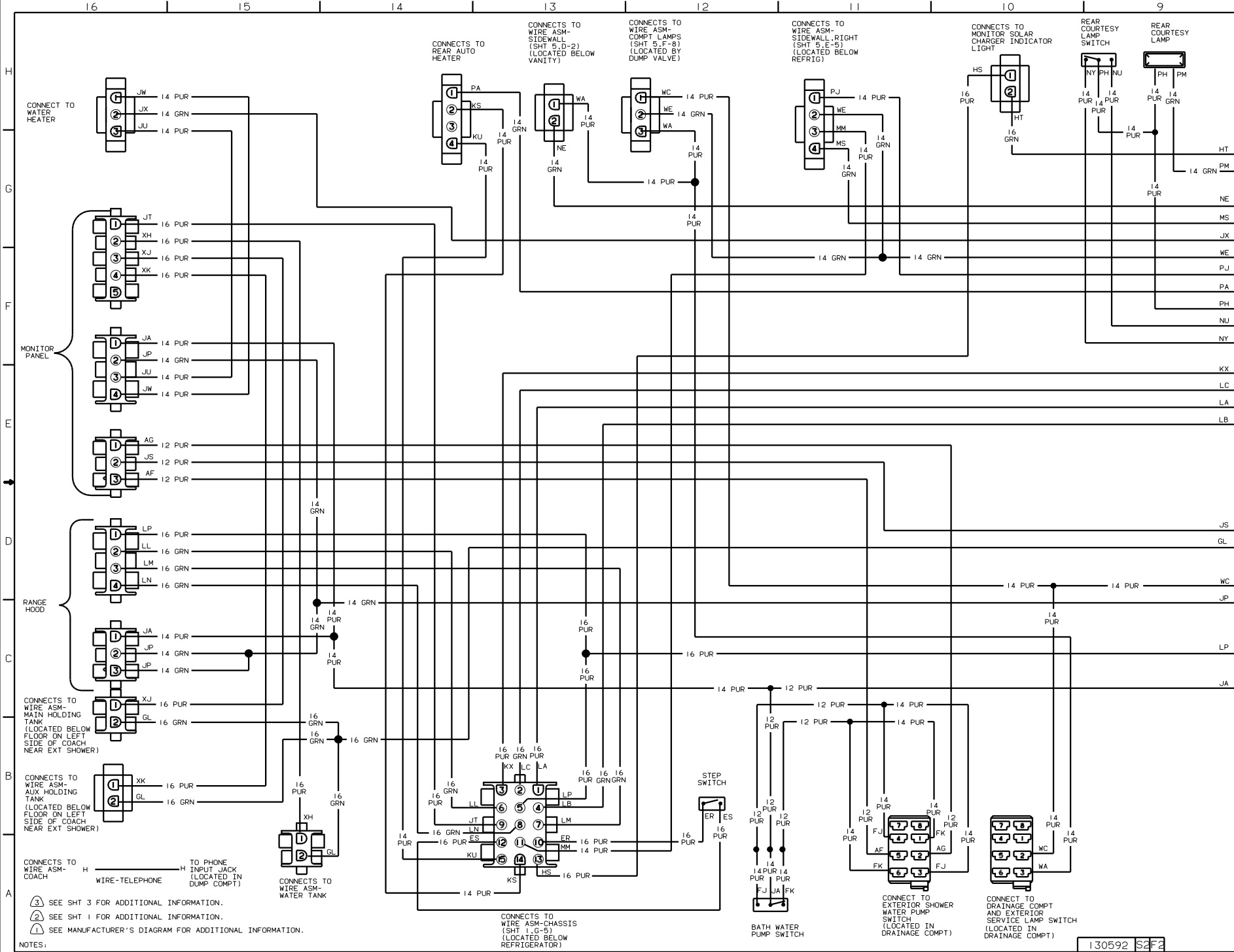
CONNECTS TO WIRE ASM-ENTERTAINMENT CENTER (SHT 5,H-3) (LOCATED BEHIND ENT CTR FACE)

CONNECTS TO LOAD SHEDDER CONTROL BOARD (LOCATED IN LOAD CENTER)

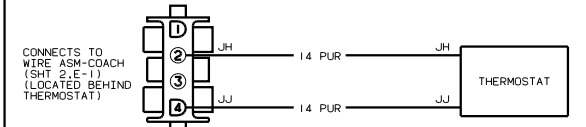
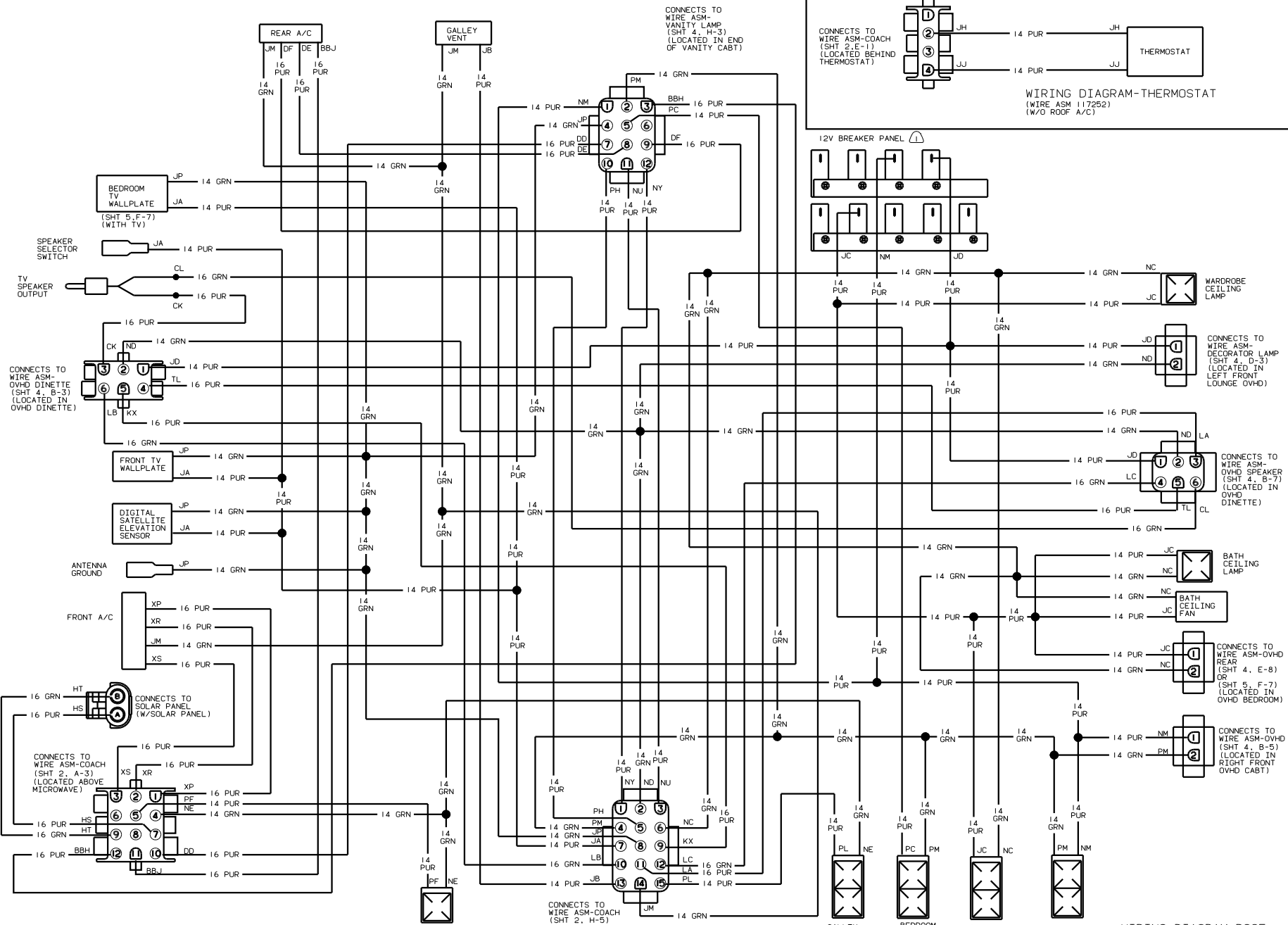
99 G34H
WIRING DIAGRAM-COACH
(WIRE ASM 131283)

WIRING DIAGRAM-BODY 12V

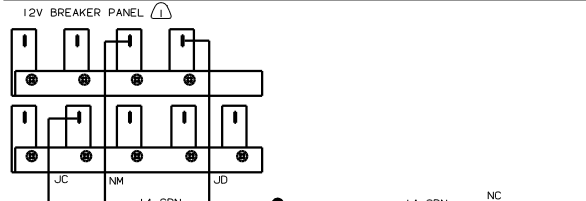
130592



- NOTES:
- ③ SEE SHT 3 FOR ADDITIONAL INFORMATION.
 - ② SEE SHT 1 FOR ADDITIONAL INFORMATION.
 - ① SEE MANUFACTURER'S DIAGRAM FOR ADDITIONAL INFORMATION.



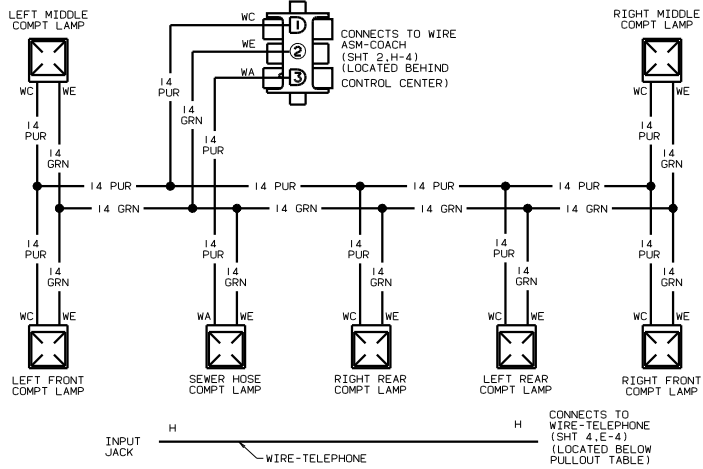
WIRING DIAGRAM-THERMOSTAT
(WIRE ASM 117252)
(W/O ROOF A/C)



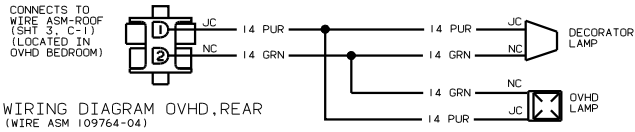
WIRING DIAGRAM-ROOF
(WIRE ASM 131284) 99 G34H

② SEE MANUFACTURER'S DIAGRAM FOR ADDITIONAL INFORMATION.
① SEE SHT 2 FOR ADDITIONAL INFORMATION.

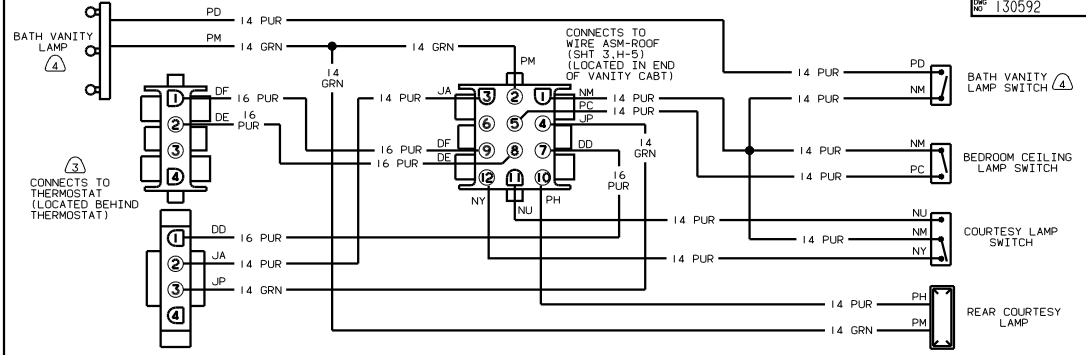
FILE NO	WIRING DIAGRAM-BODY 12V
NO. OF SHEETS	5
SHEET NO	3
DATE	1/8
REV. NO	
NO.	130592



WIRING DIAGRAM-COMPT LAMPS
(WIRE ASM 131285)



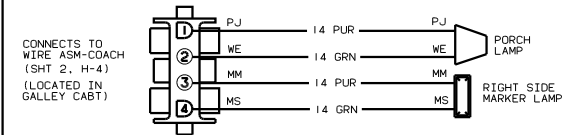
WIRING DIAGRAM OVHD, REAR
(WIRE ASM 109764-04)



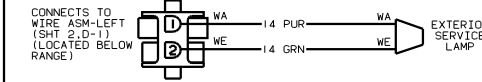
WIRING DIAGRAM-VANITY LAMP
(WIRE ASM 123752)



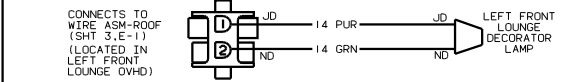
WIRING DIAGRAM-WIRE, TELEPHONE
(WIRE ASM 95038-01)



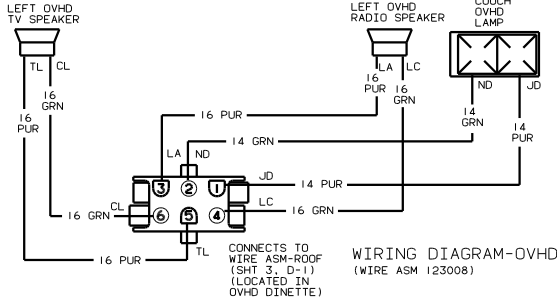
WIRING DIAGRAM-SIDEWALL, RIGHT
(WIRE ASM 126460-03)



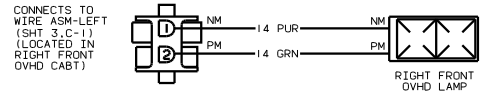
WIRING DIAGRAM-SIDEWALL, LEFT
(WIRE ASM 77093-15)



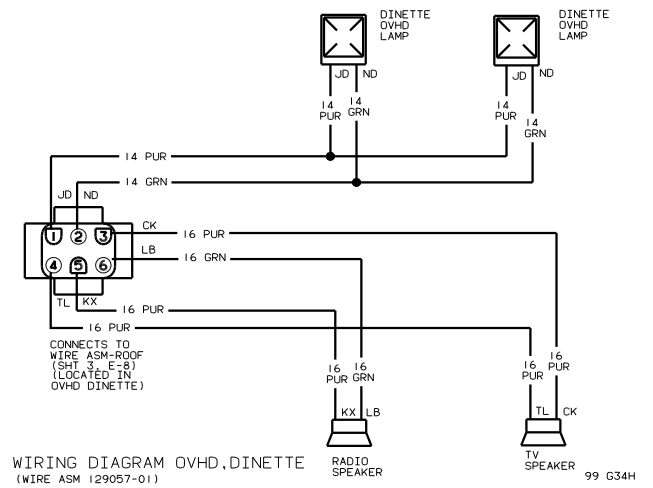
WIRING DIAGRAM-DECORATOR LAMP
(WIRE ASM 77093-01)
(LOCATED IN LEFT SIDEWALL)



WIRING DIAGRAM-OVHD SPEAKER
(WIRE ASM 123008)

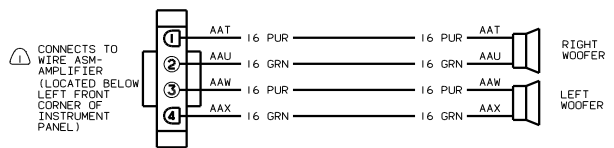


WIRING DIAGRAM-OVHD, RIGHT FRONT
(WIRE ASM 77093-14)

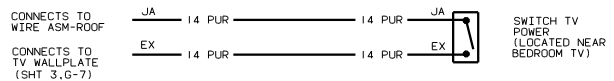


WIRING DIAGRAM OVHD, DINETTE
(WIRE ASM 129057-01)

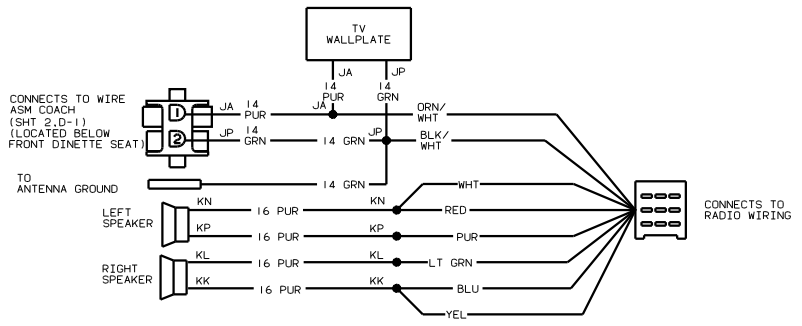
NOTES: (2) SEE WIRING DIAGRAM-AUTO FOR FURTHER INFORMATION. (3) SEE MANUFACTURER'S DIAGRAM FOR ADDITIONAL INFORMATION.
(4) SEE WIRING DIAGRAM-AUTO LAMPS FOR FURTHER INFORMATION. (5) G-SERIES UNITS.



WIRING DIAGRAM-SPEAKER,DELUXE EXT
 (WIRE ASM-125898-06)
 (WITH DELUXE SOUND SYSTEM)



WIRING DIAGRAM-TV SWITCH
 (WIRE ASM-126819)
 (WITH BEDROOM TV)



WIRING DIAGRAM ENTERTAINMENT CENTER
 (WIRE ASM-125853-01)
 (WITH EXTERIOR ENTERTAINMENT CENTER)

SEE WIRING DIAGRAM-AUTOMOTIVE FOR MORE INFORMATION.

NOTES: