



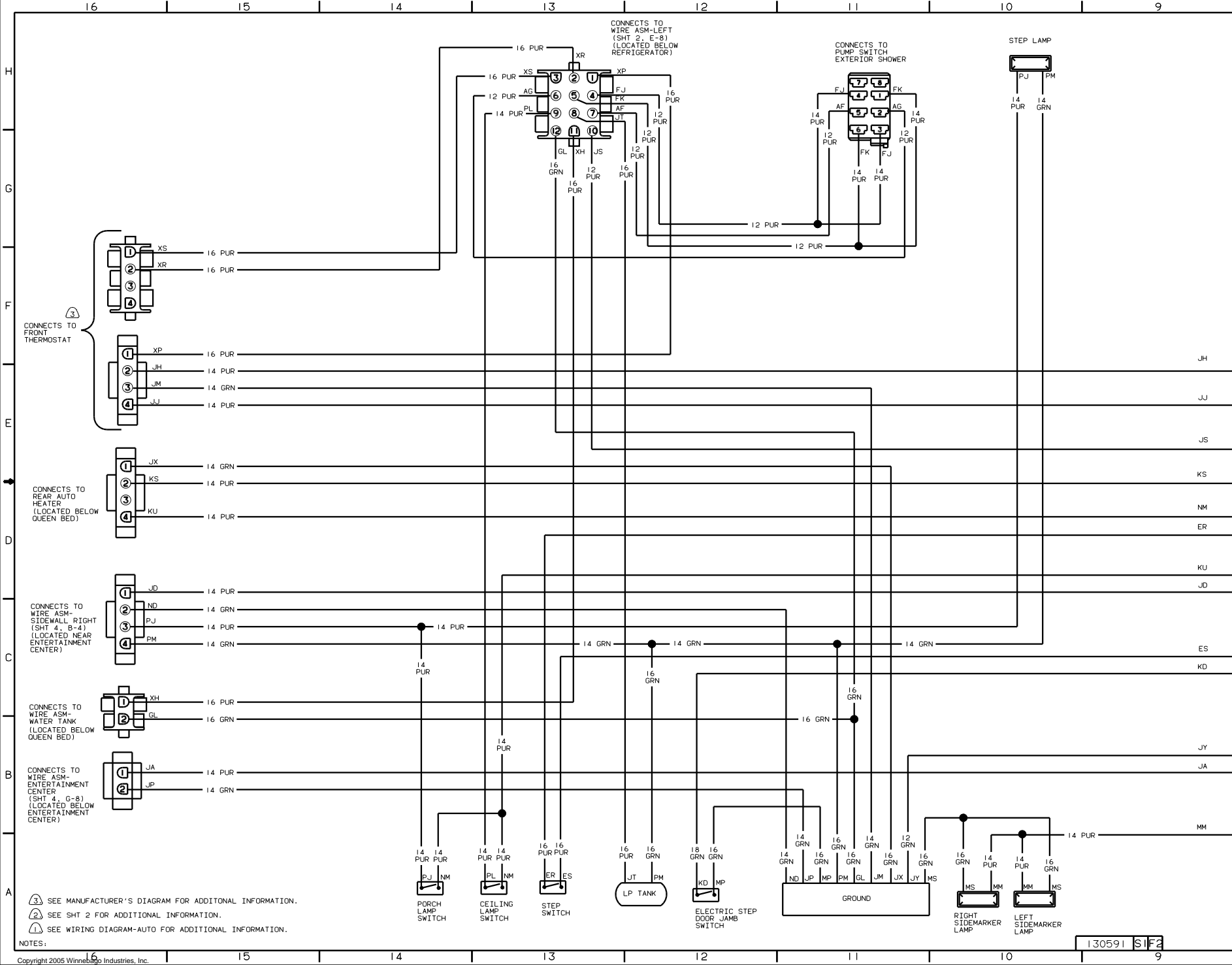
DANGER

Danger of electrical shock, burns or death. Always remove all power sources before attempting any repair, service or diagnostic work. Power can be present from shore power, generator, inverter or battery. All power sources must be disabled and secured before performing any service.



CAUTION

If you lack the skills, tools or equipment to perform diagnostic or repair work leave such work to an authorized Winnebago Industries dealer or other qualified shop.



③ CONNECTS TO FRONT THERMOSTAT

CONNECTS TO REAR AUTO HEATER (LOCATED BELOW QUEEN BED)

CONNECTS TO WIRE ASM-SIDEWALL RIGHT (SHT 4, B-4) (LOCATED NEAR ENTERTAINMENT CENTER)

CONNECTS TO WIRE ASM-WATER TANK (LOCATED BELOW QUEEN BED)

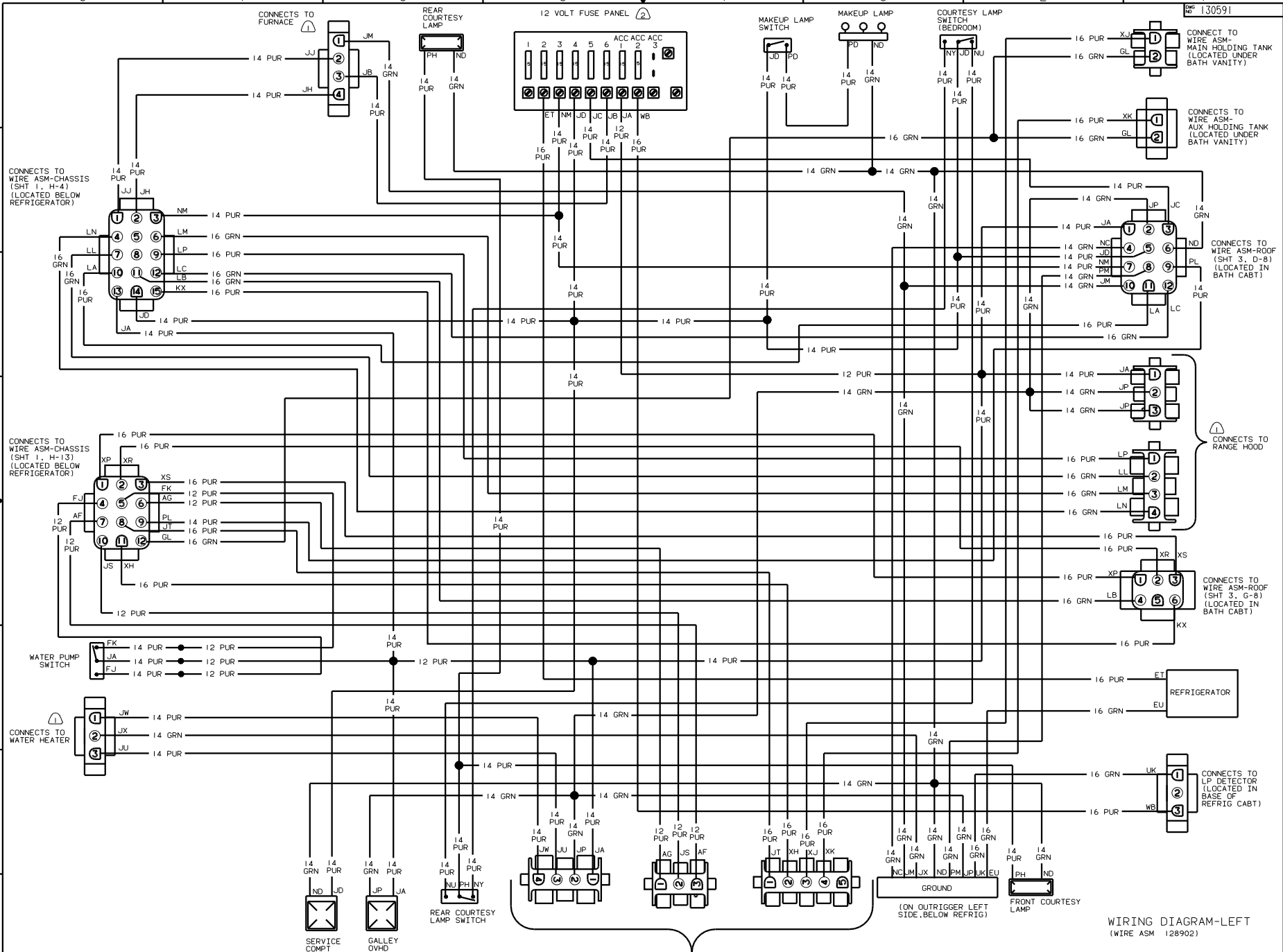
CONNECTS TO WIRE ASM-ENTERTAINMENT CENTER (SHT 4, G-8) (LOCATED BELOW ENTERTAINMENT CENTER)

CONNECTS TO WIRE ASM-LEFT (SHT 2, E-8) (LOCATED BELOW REFRIGERATOR)

CONNECTS TO PUMP SWITCH EXTERIOR SHOWER

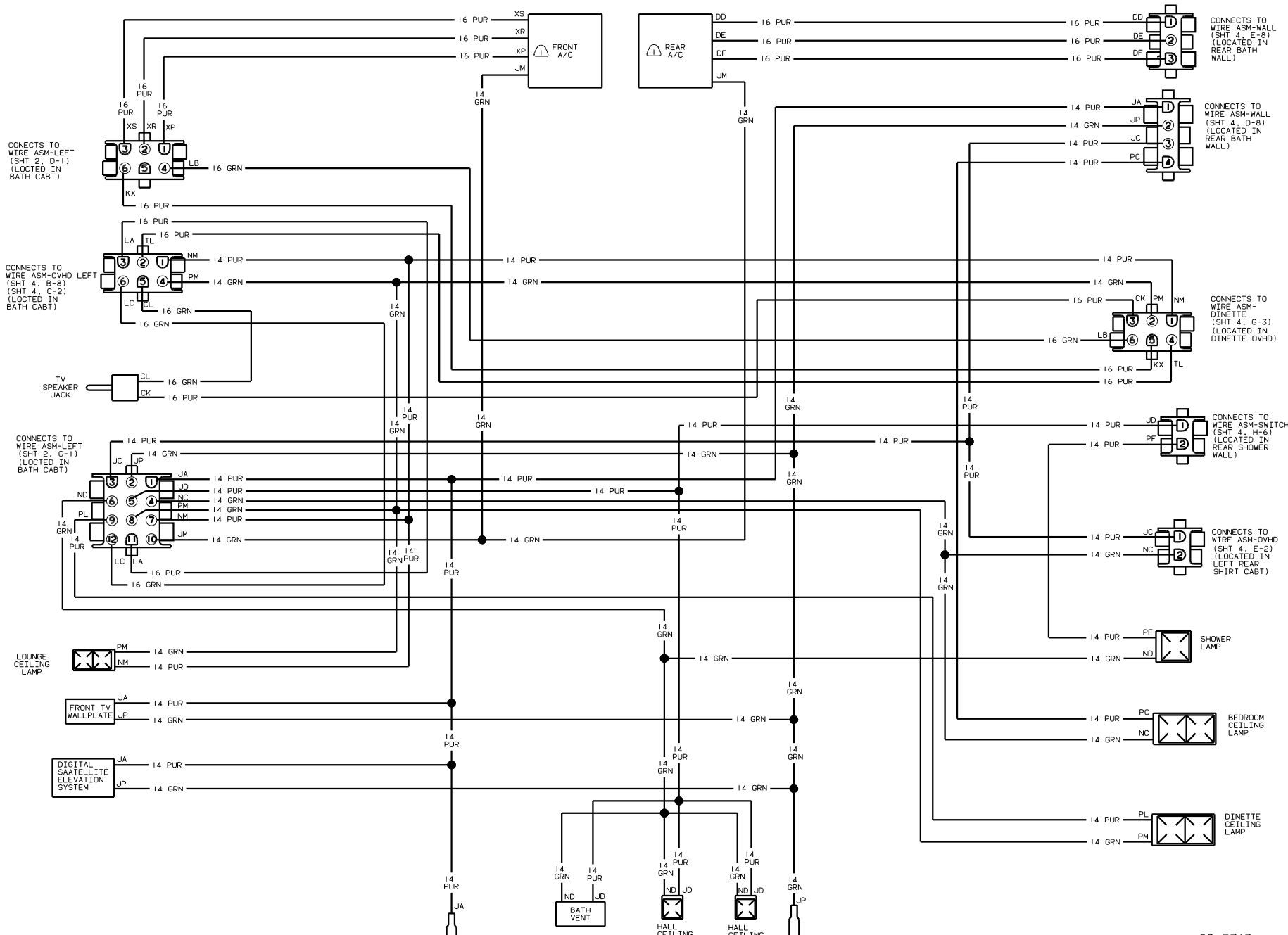
STEP LAMP

- ③ SEE MANUFACTURER'S DIAGRAM FOR ADDITIONAL INFORMATION.
- ② SEE SHT 2 FOR ADDITIONAL INFORMATION.
- ① SEE WIRING DIAGRAM-AUTO FOR ADDITIONAL INFORMATION.



WIRING DIAGRAM-LEFT
(WIRE ASM 128902)

NOTES:
 (1) SEE SHT 1 FOR ADDITIONAL INFORMATION.
 (2) SEE MANUFACTURER'S DIAGRAM FOR ADDITIONAL INFORMATION.



CONNECTS TO WIRE ASM-LEFT (SHT 2, D-1) (LOCATED IN BATH CABT)

CONNECTS TO WIRE ASM-OVHD LEFT (SHT 4, B-8) (SHT 4, C-2) (LOCATED IN BATH CABT)

CONNECTS TO WIRE ASM-LEFT (SHT 2, G-1) (LOCATED IN BATH CABT)

CONNECTS TO WIRE ASM-WALL (SHT 4, E-8) (LOCATED IN REAR BATH WALL)

CONNECTS TO WIRE ASM-WALL (SHT 4, D-8) (LOCATED IN REAR BATH WALL)

CONNECTS TO WIRE ASM-DINETTE (SHT 4, G-3) (LOCATED IN DINETTE OVHD)

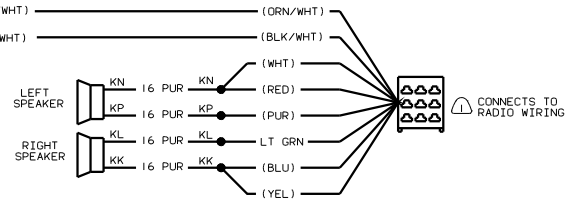
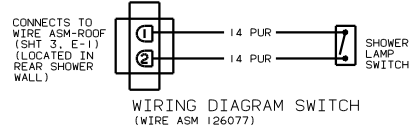
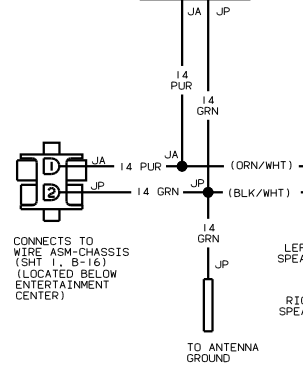
CONNECTS TO WIRE ASM-SWITCH (SHT 4, H-6) (LOCATED IN REAR SHOWER WALL)

CONNECTS TO WIRE ASM-OVHD (SHT 4, E-2) (LOCATED IN LEFT REAR SHIRT CABT)

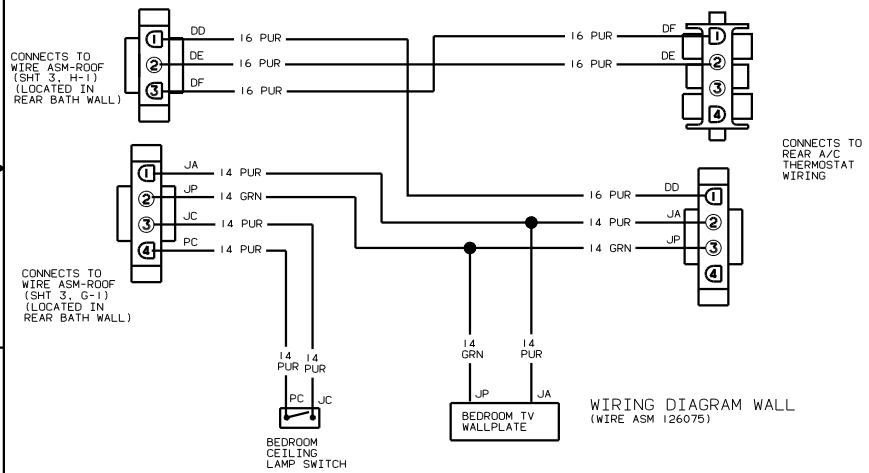
1 SEE MANUFACTURER'S DIAGRAM FOR ADDITIONAL INFORMATION.
NOTES:

WIRING DIAGRAM-ROOF
(WIRE ASM 128927)

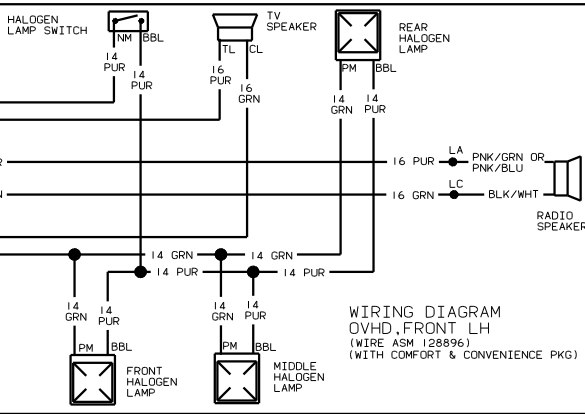
TV WALLPLATE



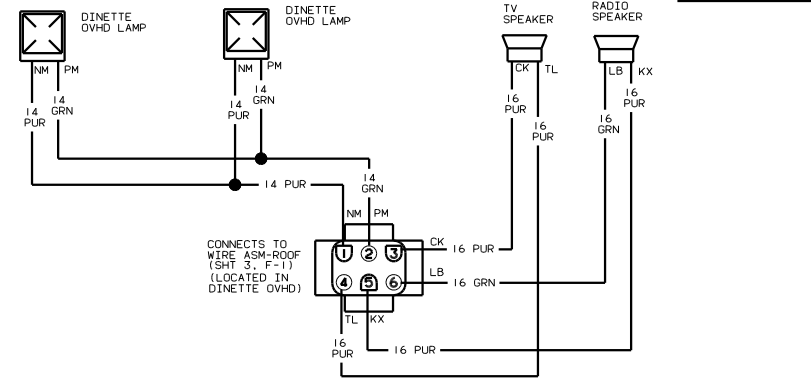
WIRING DIAGRAM-EXT ENT CTR (WIRE ASM 125853-01) (WITH EXTERIOR ENTERTAINMENT CENTER) (76C)



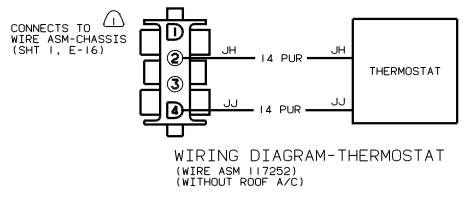
WIRING DIAGRAM WALL (WIRE ASM 126075)



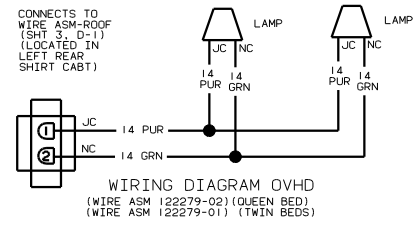
WIRING DIAGRAM OVHD, FRONT LH (WIRE ASM 128896) (WITH COMFORT & CONVENIENCE PKG)



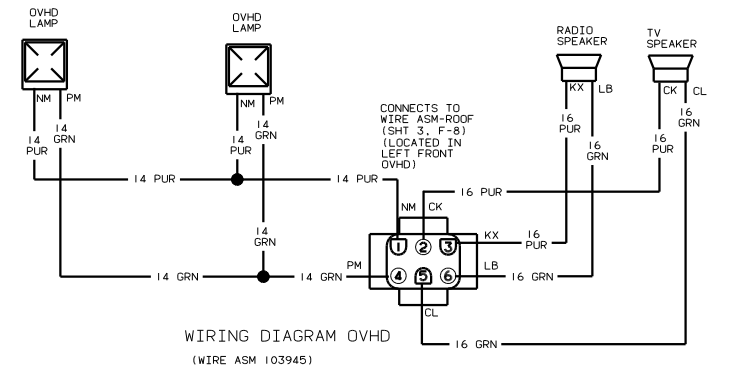
WIRING DIAGRAM OVHD, DINETTE (WIRE ASM 126076)



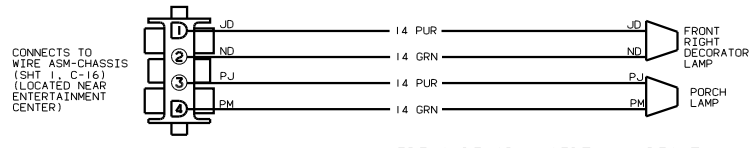
WIRING DIAGRAM-THERMOSTAT (WIRE ASM 117252) (WITHOUT ROOF A/C)



WIRING DIAGRAM OVHD (WIRE ASM 122279-02) (QUEEN BED) (WIRE ASM 122279-01) (TWIN BEDS)



WIRING DIAGRAM OVHD (WIRE ASM 103945)



WIRING DIAGRAM SIDEWALL, RIGHT (WIRE ASM 128900)

NOTES: SEE MANUFACTURER'S DIAGRAM FOR ADDITIONAL INFORMATION.