



**DANGER**

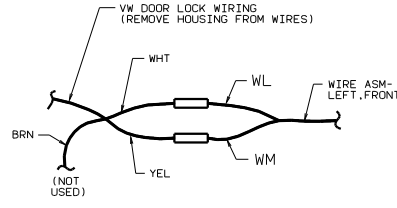
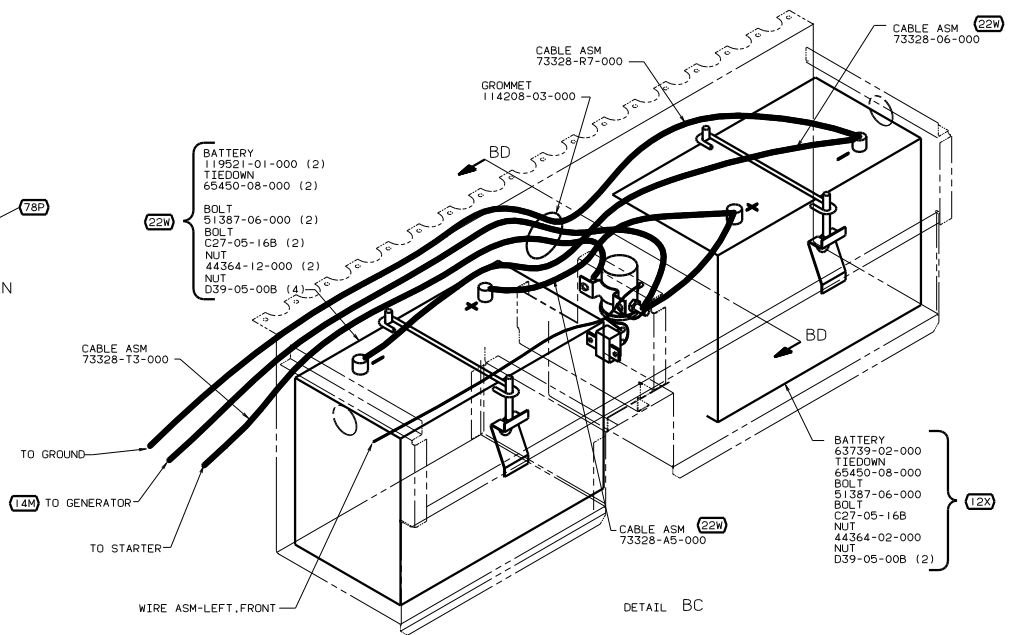
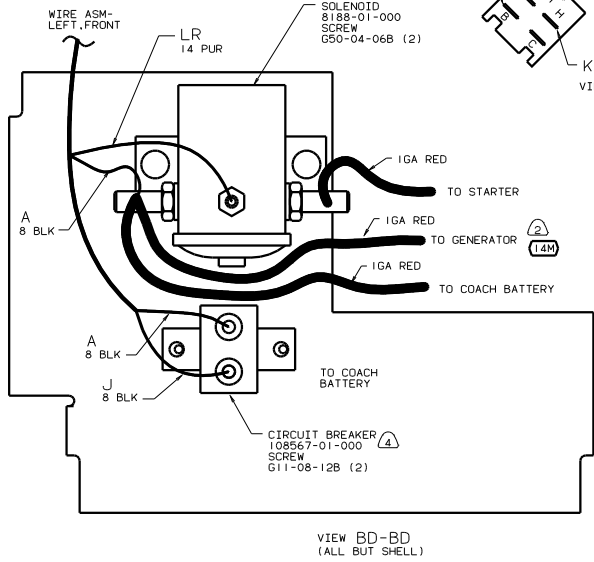
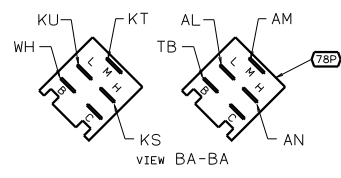
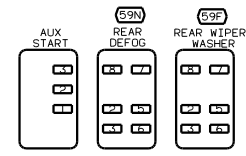
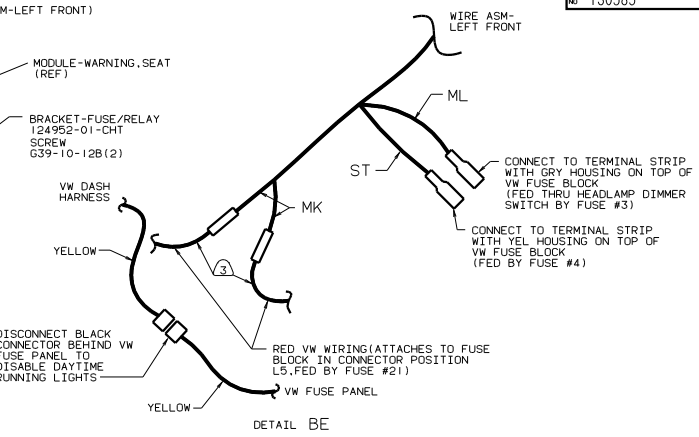
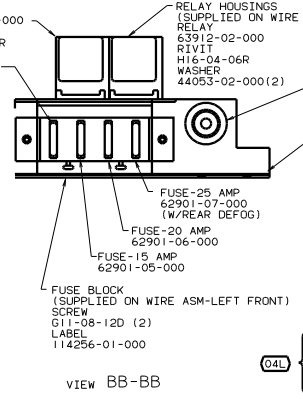
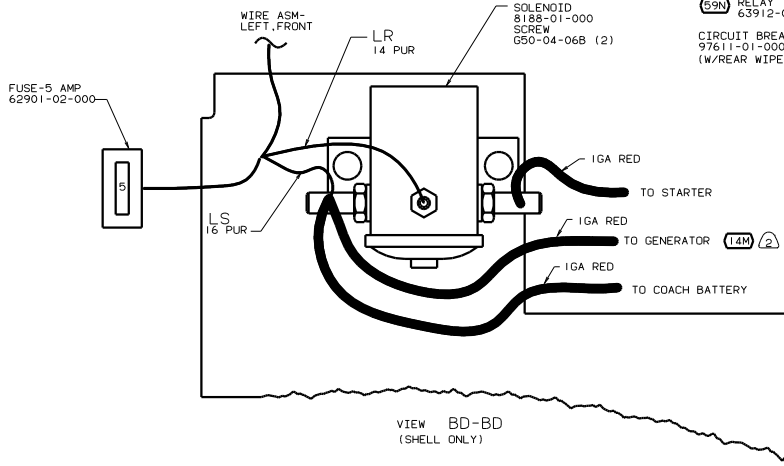
**Danger of electrical shock, burns or death.** Always remove all power sources before attempting any repair, service or diagnostic work. Power can be present from shore power, generator, inverter or battery. All power sources must be disabled and secured before performing any service.



**CAUTION**

If you lack the skills, tools or equipment to perform diagnostic or repair work leave such work to an authorized Winnebago Industries dealer or other qualified shop.





- ④ SEAL SEAMS AND TOP OF CIRCUIT BREAKER WITH SEALANT 117082-01-000. MINIMIZE CONTACT OF SEALANT WITH ELECTRICALLY CONDUCTIVE SURFACES.
- ③ CUT WIRE AND RECONNECT AS SHOWN.
- ② SEE GENERATOR INSTL FOR ADDITIONAL INFORMATIION.
- ① SEE WIRING INSTL-BODY FOR ADDITIONAL INFORMATIION.

- 78P A/C AUXILIARY AUTOMOTIVE
- 59N WINDOW REAR DEFOGGER/DEFROST
- 59F WINDOW REAR WIPER/WASHER
- 265 CODES/STANDARDS-CSA/CMVSS
- 22W BATTERY-TWO
- 181 CODES STANDARDS/USA
- 14M GENERATOR-3,000W-GENERAC GAS
- 12X BATTERY-ONE
- 04L JAPAN EXPORT PACKAGE