



DANGER

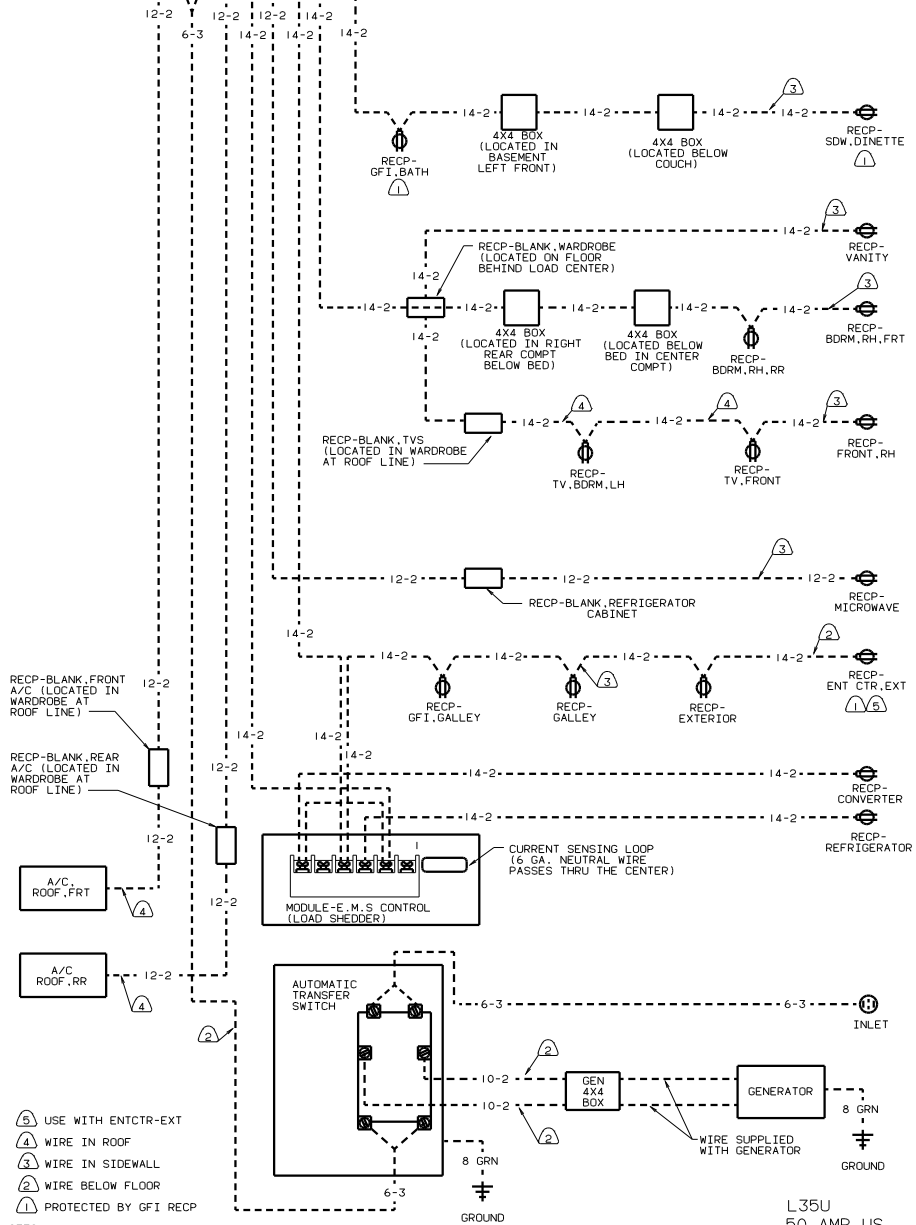
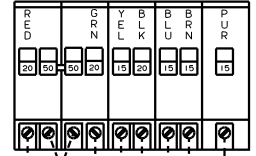
Danger of electrical shock, burns or death. Always remove all power sources before attempting any repair, service or diagnostic work. Power can be present from shore power, generator, inverter or battery. All power sources must be disabled and secured before performing any service.



CAUTION

If you lack the skills, tools or equipment to perform diagnostic or repair work leave such work to an authorized Winnebago Industries dealer or other qualified shop.

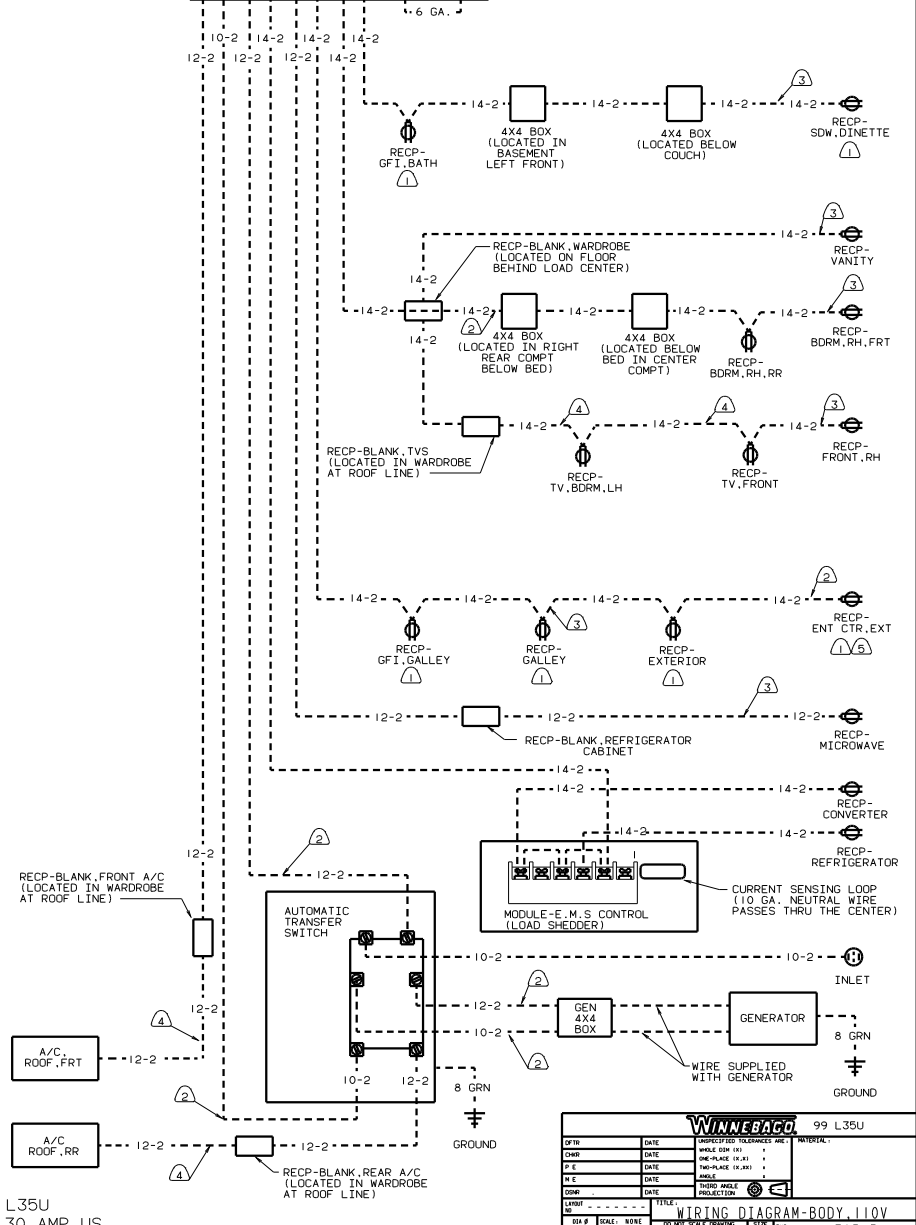
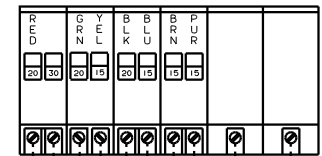
LOAD CENTER



- ⑤ USE WITH ENTCTR-EXT
- ④ WIRE IN ROOF
- ③ WIRE IN SIDEWALL
- ② WIRE BELOW FLOOR
- ① PROTECTED BY GFI RECP

L35U
50 AMP US

LOAD CENTER



L35U
30 AMP US

WINNEBAGO 99 L35U

DATE	DATE	DATE	DATE
BY	BY	BY	BY
CHKD	CHKD	CHKD	CHKD
DATE	DATE	DATE	DATE
BY	BY	BY	BY
CHKD	CHKD	CHKD	CHKD
DATE	DATE	DATE	DATE

WIRING DIAGRAM-BODY, 110V

SHEET 1 OF 2

