



DANGER

Danger of electrical shock, burns or death. Always remove all power sources before attempting any repair, service or diagnostic work. Power can be present from shore power, generator, inverter or battery. All power sources must be disabled and secured before performing any service.



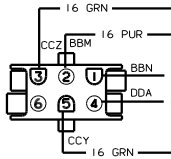
CAUTION

If you lack the skills, tools or equipment to perform diagnostic or repair work leave such work to an authorized Winnebago Industries dealer or other qualified shop.

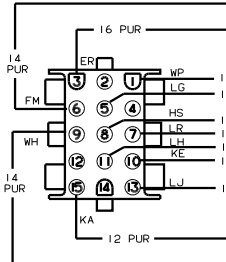
3. CONNECTS TO WIRE ASM-HEADLAMP (LOCATED AT LEFT END OF FRONT CROSSMEMBER)



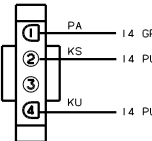
1. CONNECTS TO WIRE ASM-SLIDE OUT CONTROL (LOCATED BELOW LEFT DASH)



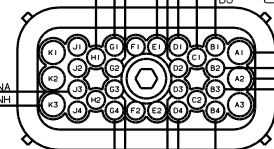
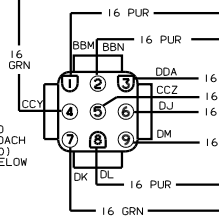
CONNECTS TO WIRE ASM-ELECTRICAL BOX (SHT 1 F-3) (LOCATED INSIDE STORAGE COMPT AHEAD OF ENTRANCE STEP)



4. CONNECTS TO AUTO HEATER



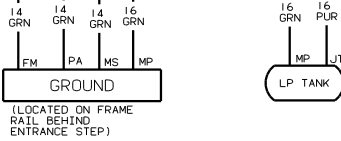
CONNECTS TO WIRE ASM-COACH (SHT 2 A-10) (LOCATED BELOW GALLEY)

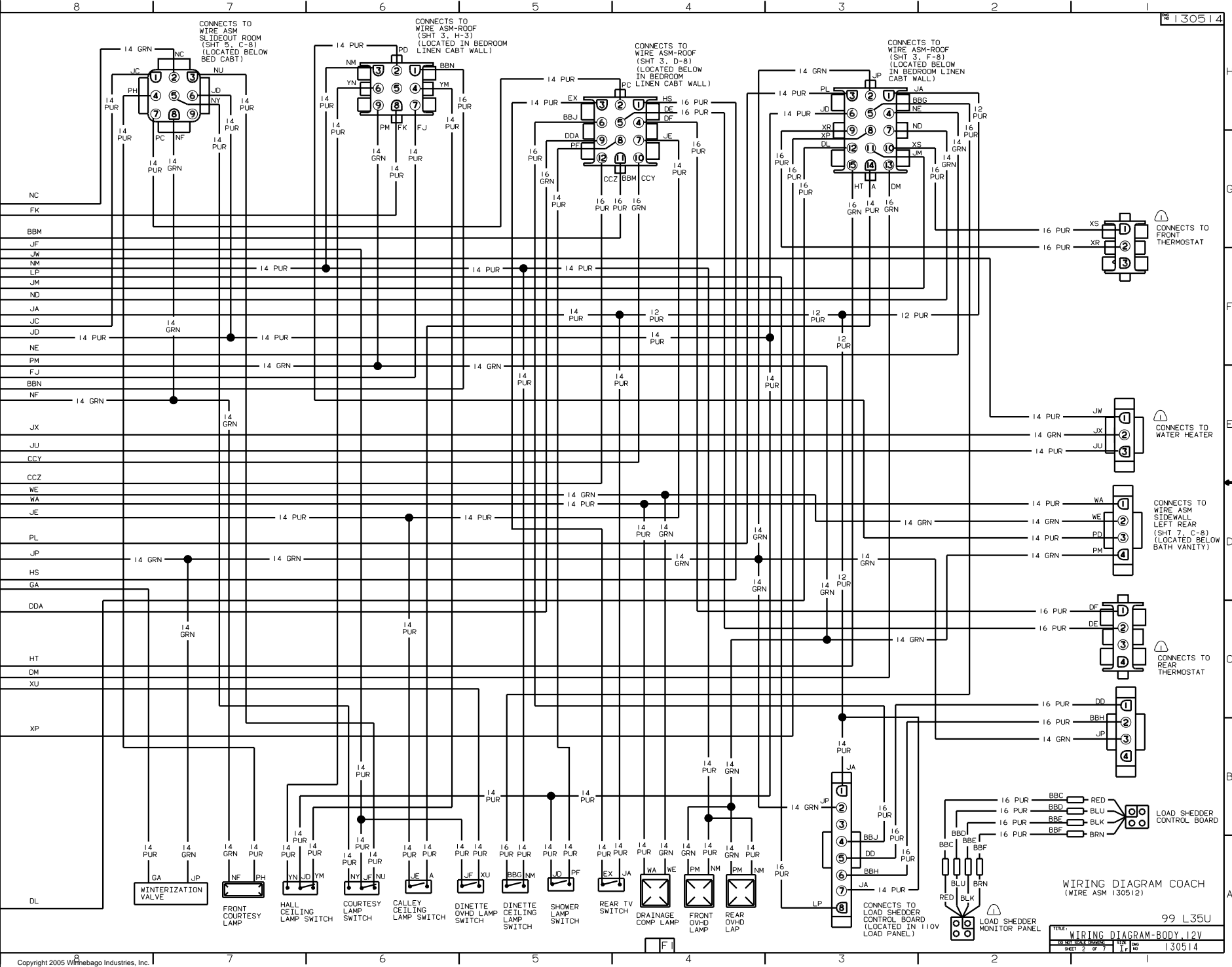


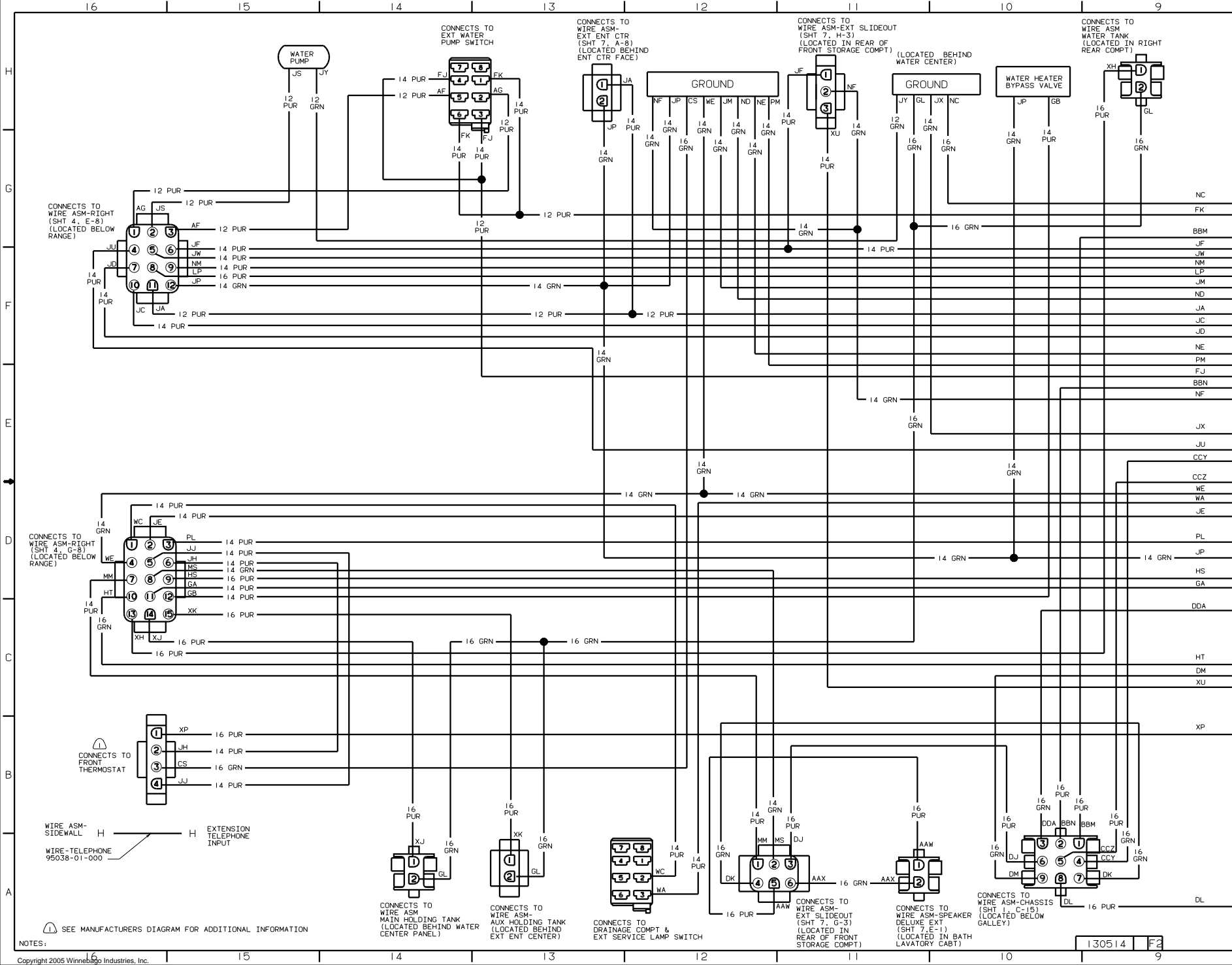
CONNECTS TO WIRE ASM-IF MAIN (LOCATE THRU CAB FLOOR ON LEFT SIDE)

- 4. SEE MANUFACTURER'S DIAGRAM FOR ADDITIONAL INFORMATION.
- 3. SEE WIRING DIAGRAM-AUTO LAMPS FOR ADDITIONAL INFORMATION.
- 2. SEE SHT 4 FOR ADDITIONAL INFORMATION
- 1. SEE WIRING DIAGRAM-AUTO FOR ADDITIONAL INFORMATION.

NOTES:







CONNECTS TO WIRE ASM-RIGHT (SHT 4, E-8) (LOCATED BELOW RANGE)

CONNECTS TO WIRE ASM-RIGHT (SHT 4, G-8) (LOCATED BELOW RANGE)

CONNECTS TO FRONT THERMOSTAT

WIRE ASM- SIDEWALL H EXTENSION TELEPHONE INPUT
WIRE-TELEPHONE 95038-01-000

CONNECTS TO WIRE ASM MAIN HOLDING TANK (LOCATED BEHIND WATER CENTER PANEL)
CONNECTS TO WIRE ASM-AUX HOLDING TANK (LOCATED BEHIND EXT ENT CENTER)

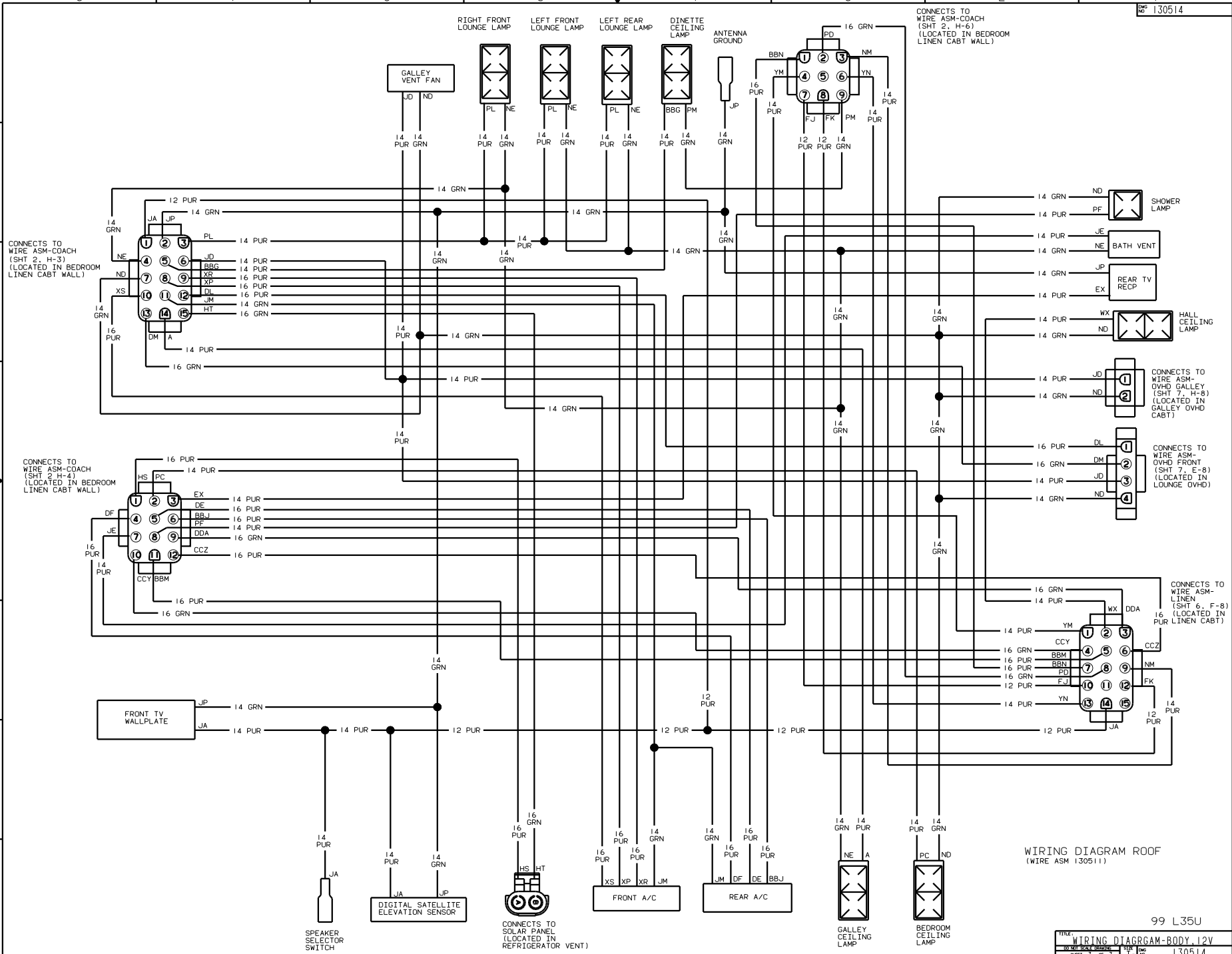
CONNECTS TO DRAINAGE COMPT & EXT SERVICE LAMP SWITCH

CONNECTS TO WIRE ASM-EXT SLIDEOUT (SHT 7, G-3) (LOCATED IN REAR OF FRONT STORAGE COMPT)

CONNECTS TO WIRE ASM-SPEAKER DELUXE EXT (SHT 7,E-1) (LOCATED IN BATH LAVATORY CABT)

CONNECTS TO WIRE ASM-CHASSIS (SHT 1, C-15) (LOCATED BELOW GALLEY)

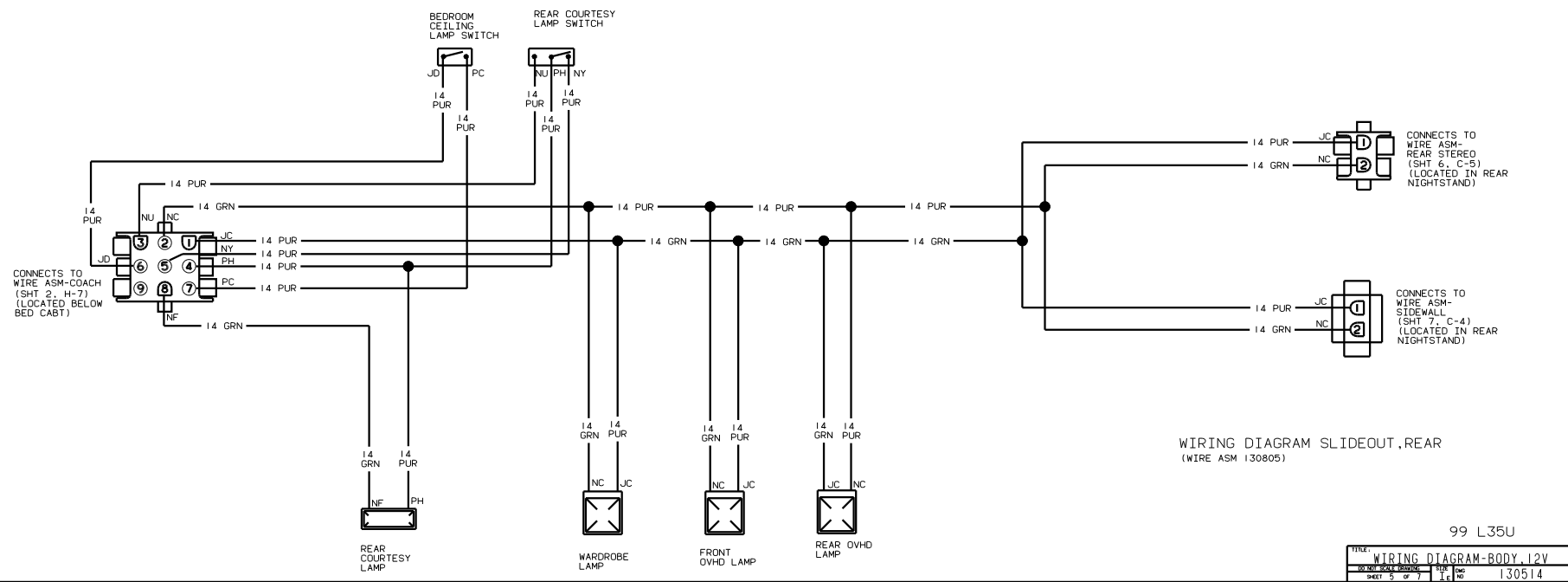
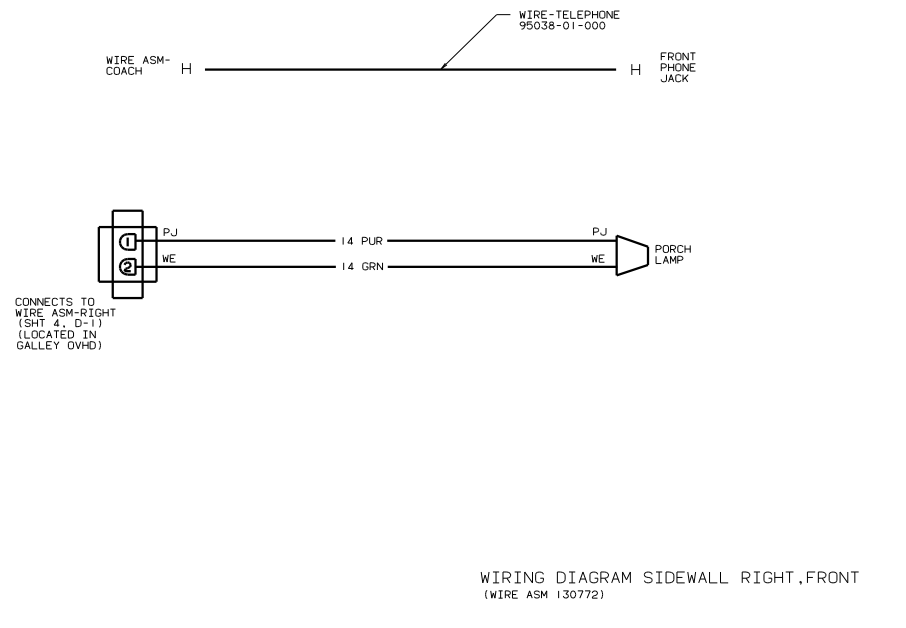
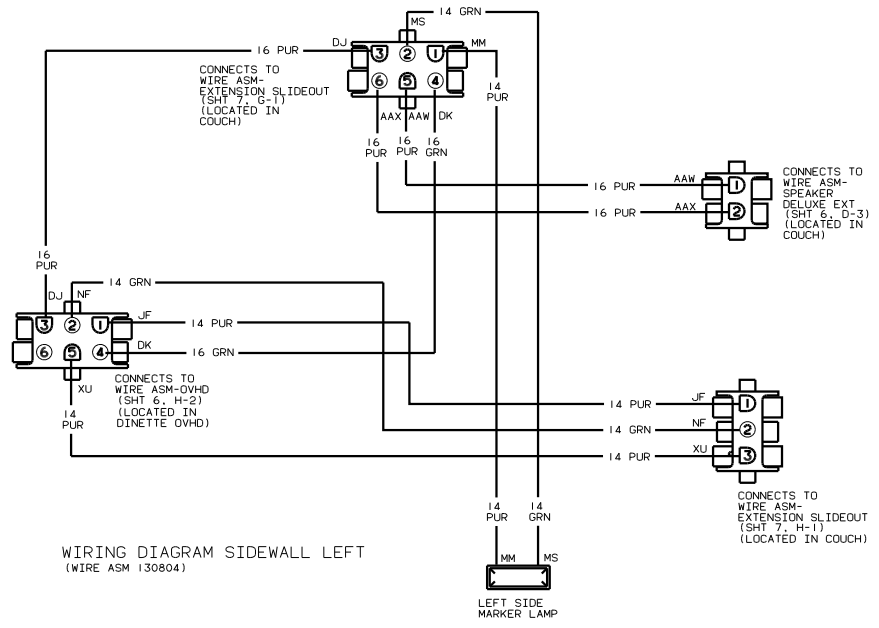
NOTES: 1 SEE MANUFACTURERS DIAGRAM FOR ADDITIONAL INFORMATION



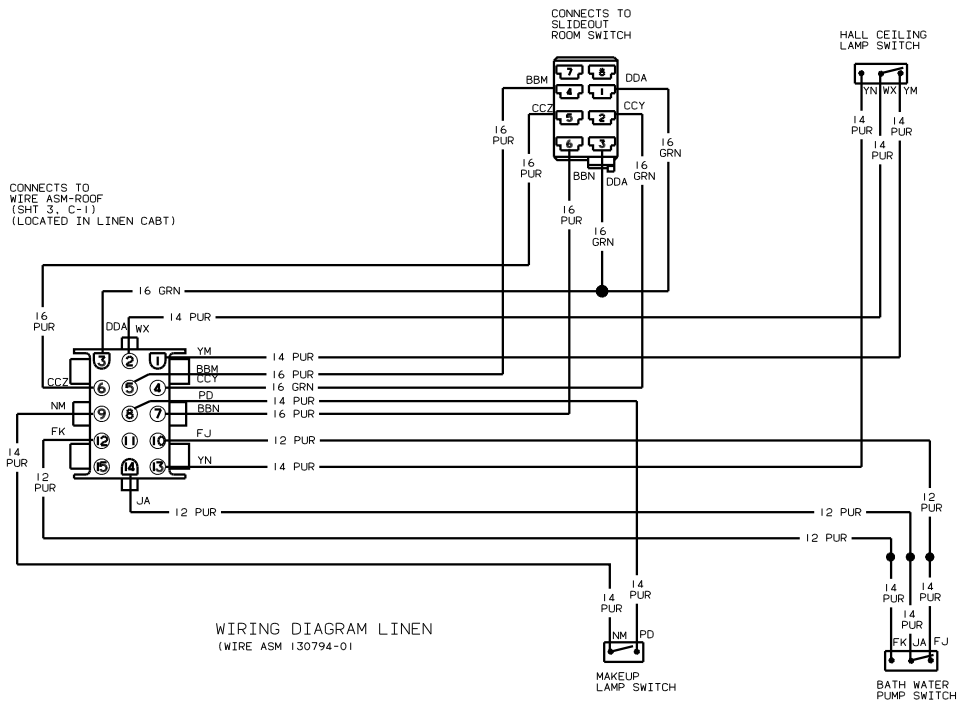
WIRING DIAGRAM ROOF
(WIRE ASM 130511)

99 L35U

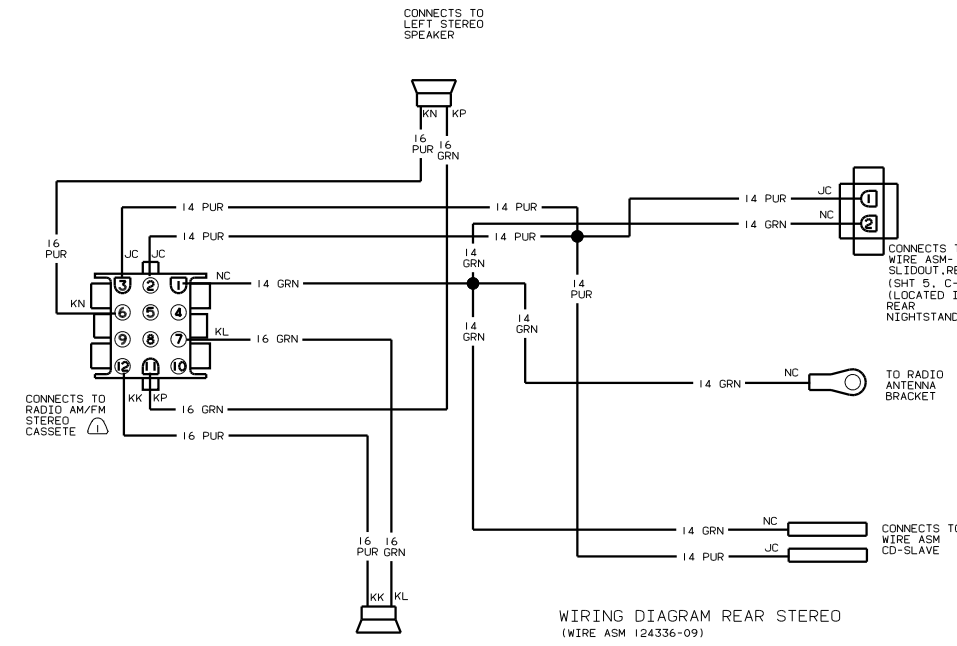
TITLE	WIRING DIAGRAM-BODY 12V
NO. OF SHEETS	7
SHEET NO.	3
DATE	11/16/05
130514	



CONNECTS TO WIRE ASM-ROOF (SHT 3, C-1) (LOCATED IN LINEN CABT)

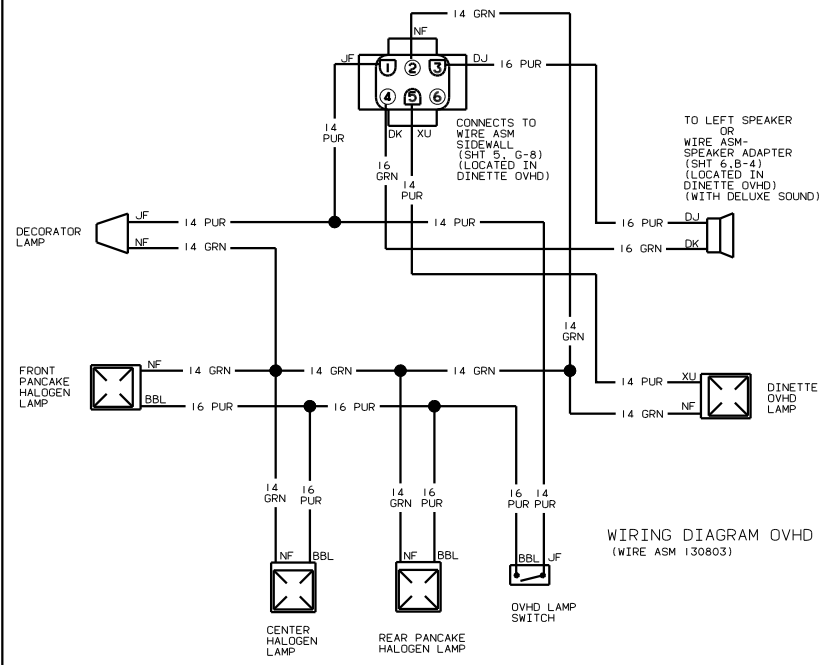


WIRING DIAGRAM LINEN
(WIRE ASM 130794-01)

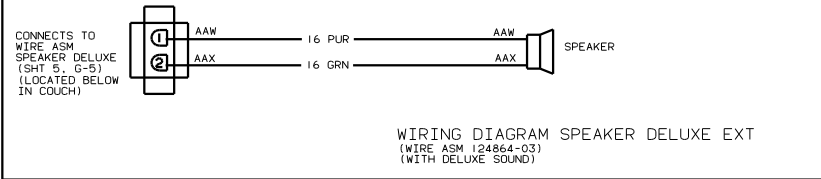


WIRING DIAGRAM REAR STEREO
(WIRE ASM 124336-09)

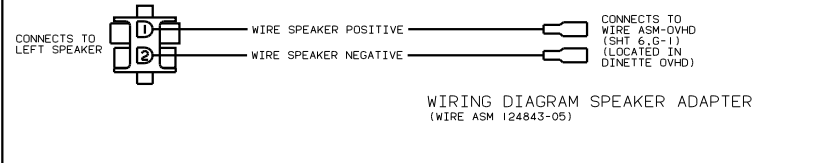
SEE MANUFACTURER'S DIAGRAM FOR ADDITIONAL INFORMATION.



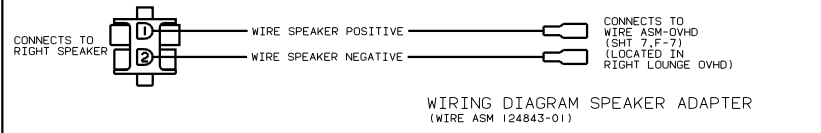
WIRING DIAGRAM OVHD
(WIRE ASM 130803)



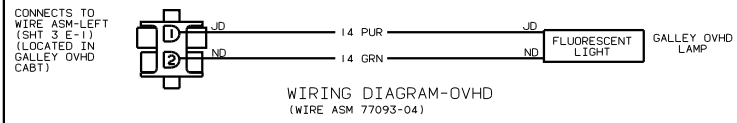
WIRING DIAGRAM SPEAKER DELUXE EXT
(WIRE ASM 124864-03)
(WITH DELUXE SOUND)



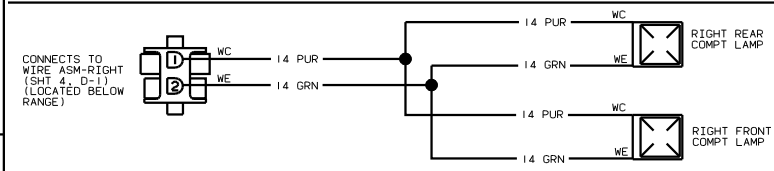
WIRING DIAGRAM SPEAKER ADAPTER
(WIRE ASM 124843-05)



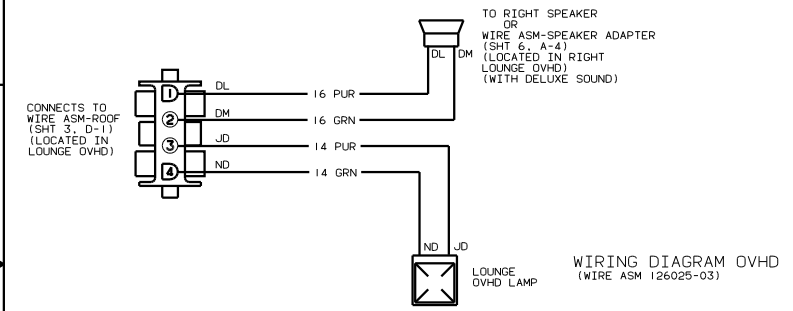
WIRING DIAGRAM SPEAKER ADAPTER
(WIRE ASM 124843-01)



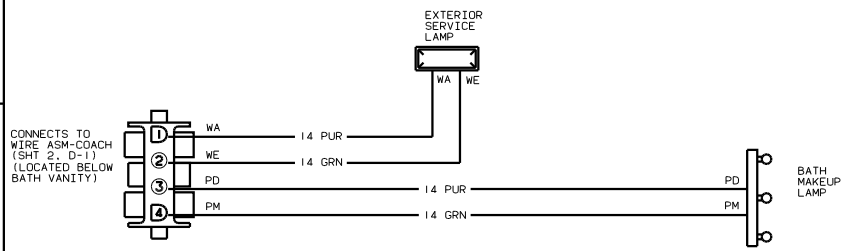
WIRING DIAGRAM-OVHD
(WIRE ASM 77093-04)



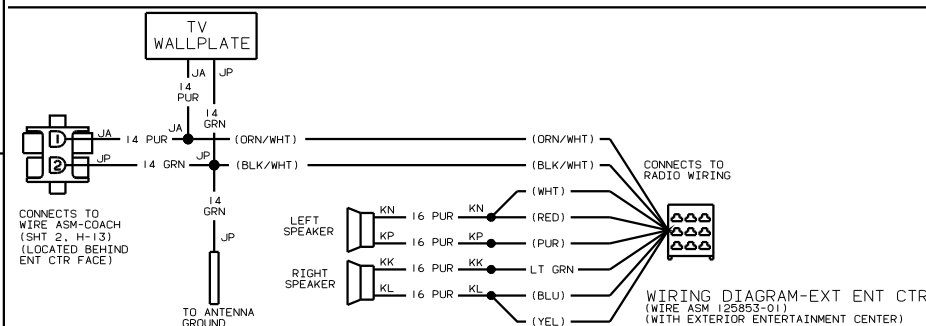
WIRING DIAGRAM COMPT LAMPS
(WIRE ASM 130795)



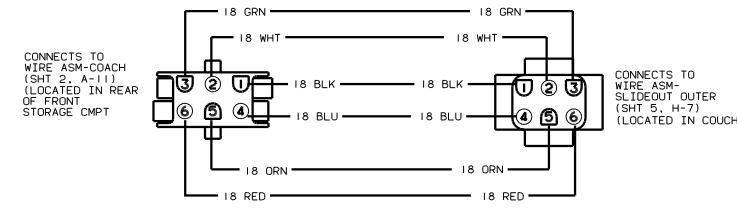
WIRING DIAGRAM OVHD
(WIRE ASM 126025-03)



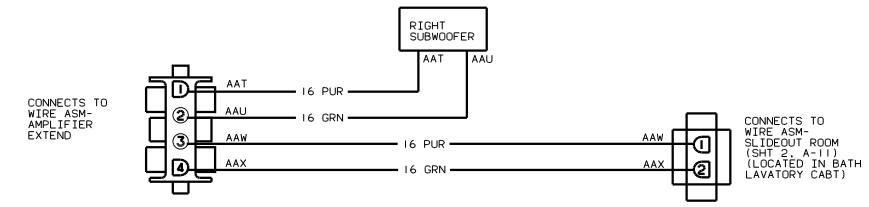
WIRING DIAGRAM SIDEWALL LEFT-REAR
(WIRE ASM 123087-03)



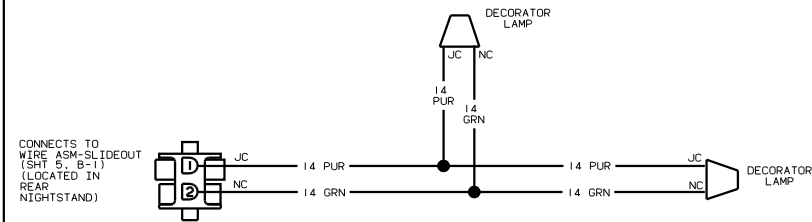
WIRING DIAGRAM-EXT ENT CTR
(WIRE ASM 125883-01)



WIRING DIAGRAM-EXTENSION, SLIDEOUT
(WIRE ASM 115818)



WIRING DIAGRAM SPEAKER, DELUXE-EXT
(WIRE ASM 126087-03)



WIRING DIAGRAM OVHD REAR
(WIRE ASM 109764-06)