



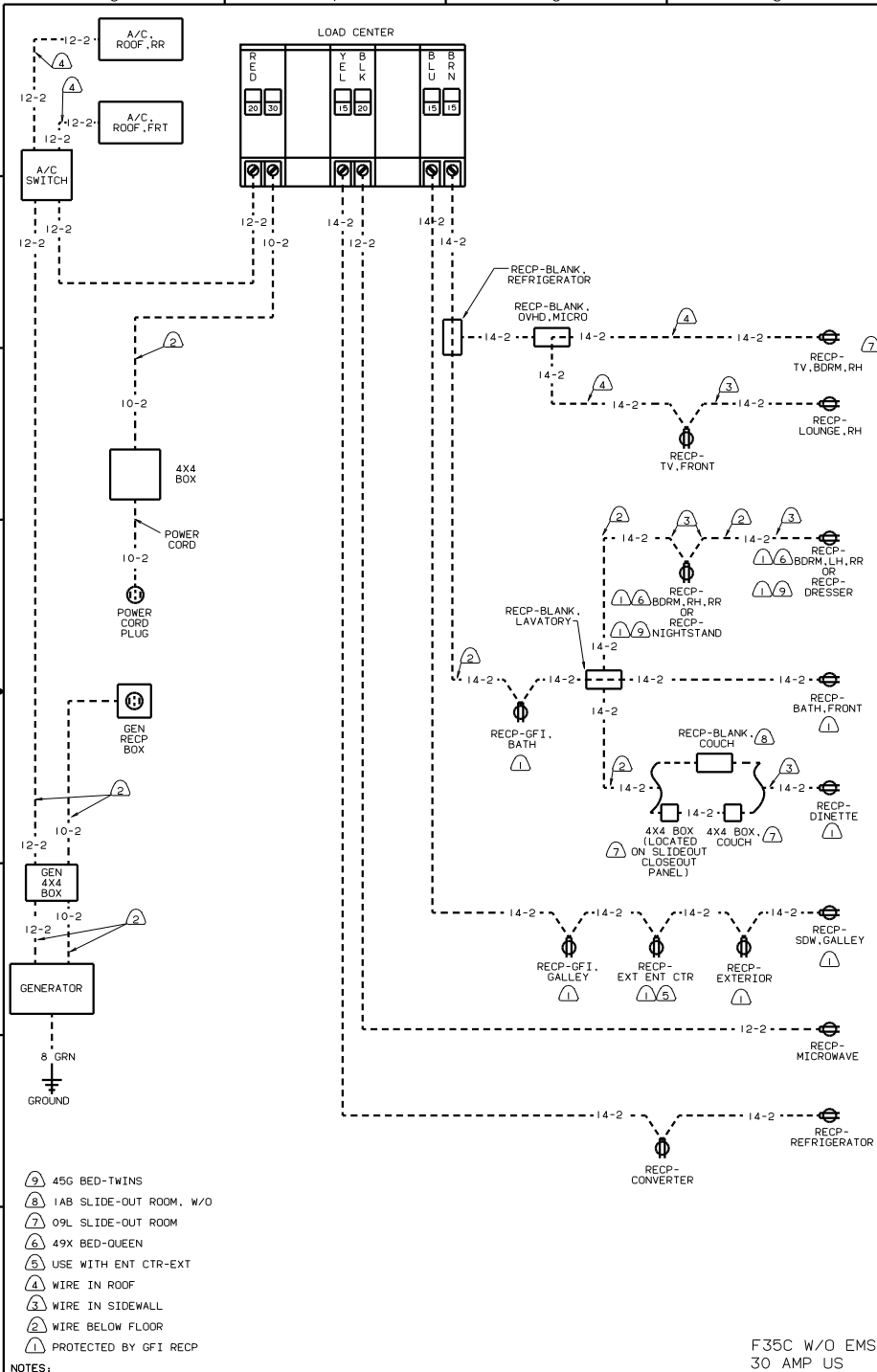
DANGER

Danger of electrical shock, burns or death. Always remove all power sources before attempting any repair, service or diagnostic work. Power can be present from shore power, generator, inverter or battery. All power sources must be disabled and secured before performing any service.

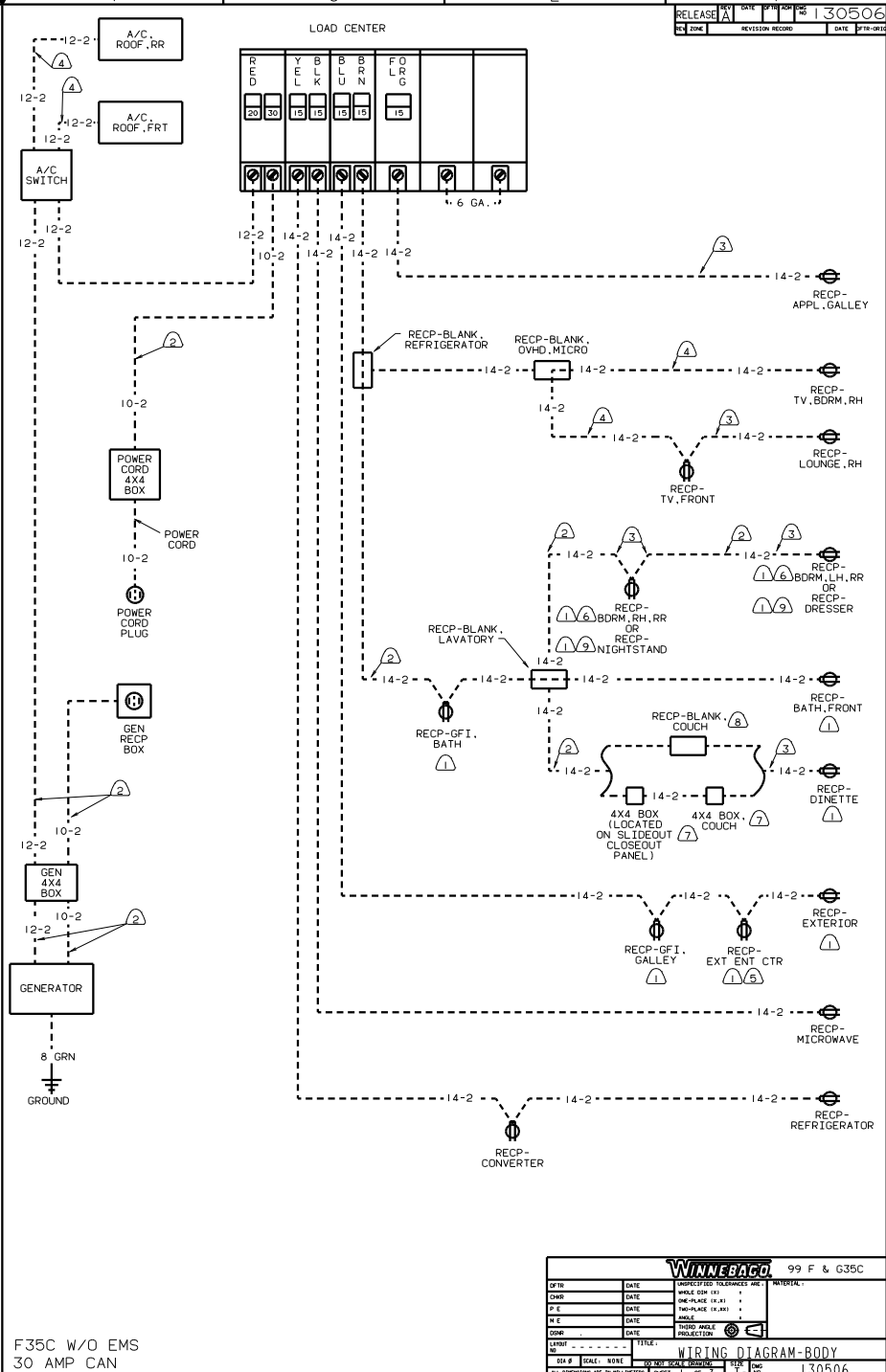


CAUTION

If you lack the skills, tools or equipment to perform diagnostic or repair work leave such work to an authorized Winnebago Industries dealer or other qualified shop.



F35C W/O EMS
30 AMP US

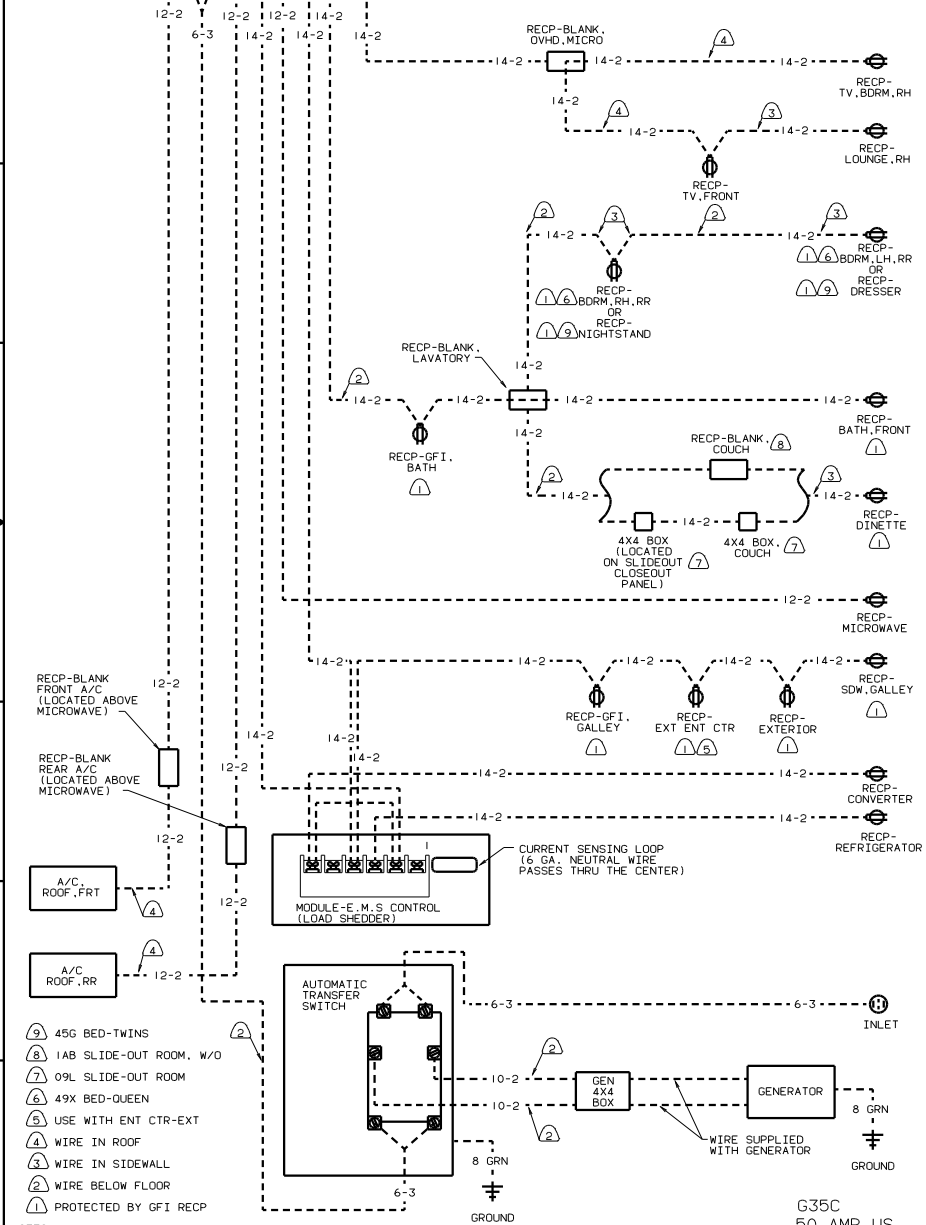
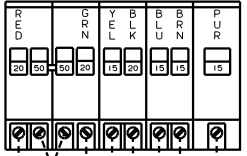


F35C W/O EMS
30 AMP CAN

- (9) 45G BED-TWINS
- (8) 1AB SLIDE-OUT ROOM, W/O
- (7) 09L SLIDE-OUT ROOM
- (6) 49X BED-QUEEN
- (5) USE WITH ENT CTR-EXT
- (4) WIRE IN ROOF
- (3) WIRE IN SIDEWALL
- (2) WIRE BELOW FLOOR
- (1) PROTECTED BY GFI RECP

WINNEBAGO		99 F & G35C
DATE	UNSPECIFIED TOLERANCES ARE:	INVERTED
DATE	WHOLE OR 1/16"	
DATE	ONE-PLACE (1/32")	
DATE	TWO-PLACE (1/64")	
DATE	ANGLE	
DATE	THRU HOLE PROJECTION	
DATE		
TITLE: WIRING DIAGRAM-BODY		
SHEET 1 OF 3		
130506		

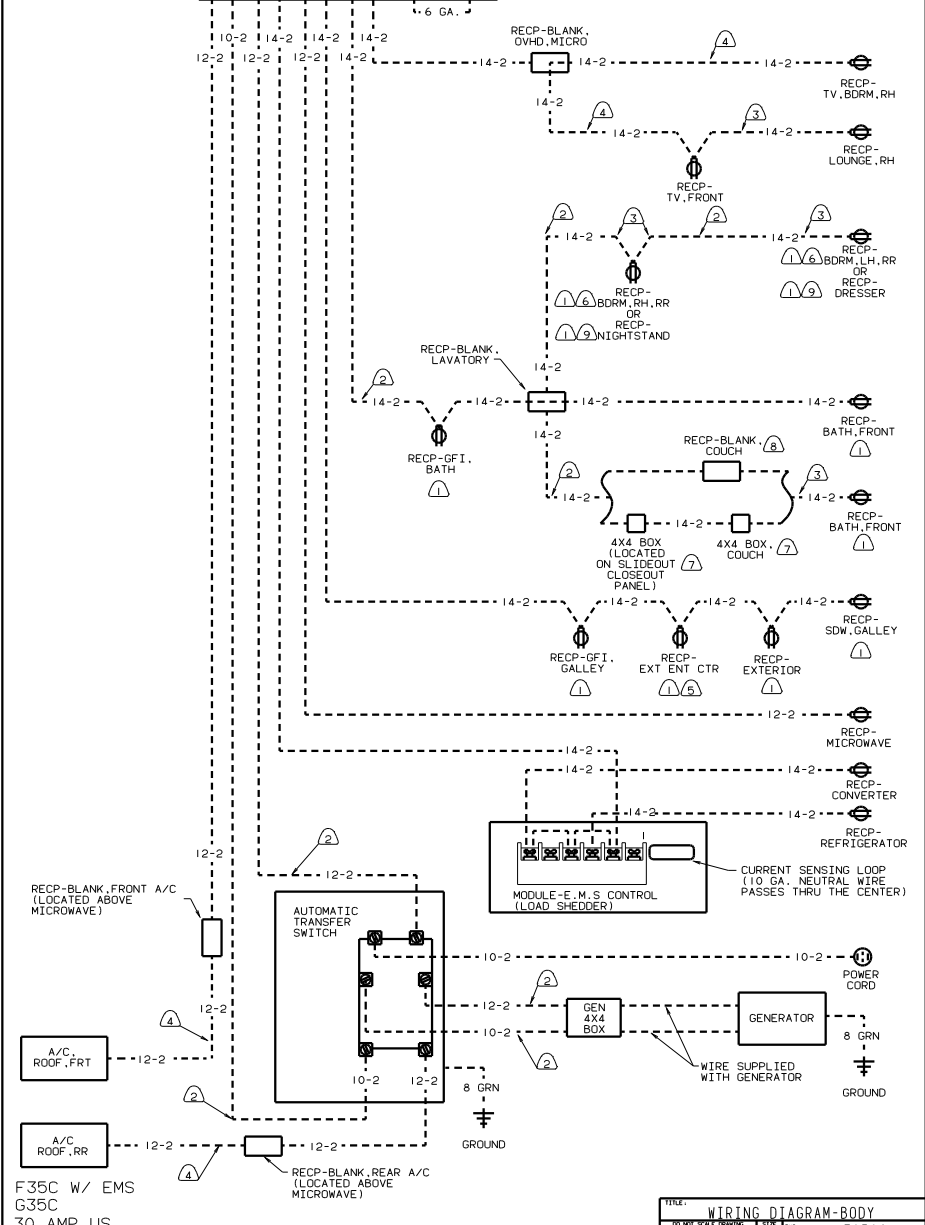
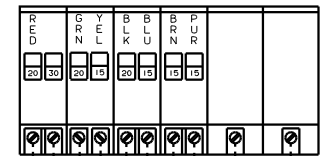
LOAD CENTER



- ⑨ 45G BED-TWINS
- ⑧ 1AB SLIDE-OUT ROOM, W/O
- ⑦ 09L SLIDE-OUT ROOM
- ⑥ 49X BED-QUEEN
- ⑤ USE WITH ENT CTR-EXT
- ④ WIRE IN ROOF
- ③ WIRE IN SIDEWALL
- ② WIRE BELOW FLOOR
- ① PROTECTED BY GFI RECIP

G35C
50 AMP US

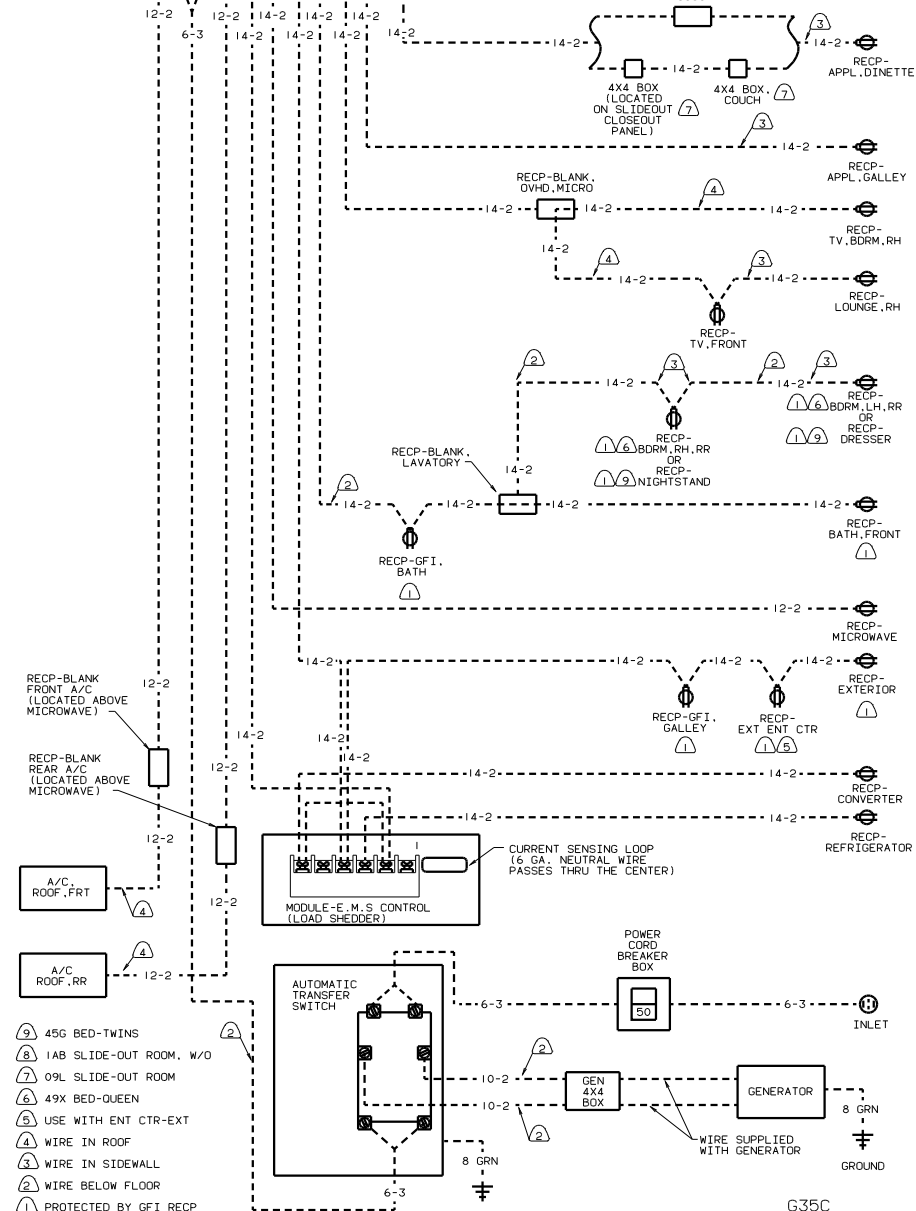
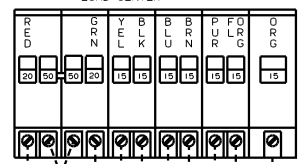
LOAD CENTER



F35C W/ EMS
30 AMP US

WIRING DIAGRAM-BODY
SHEET 2 OF 3

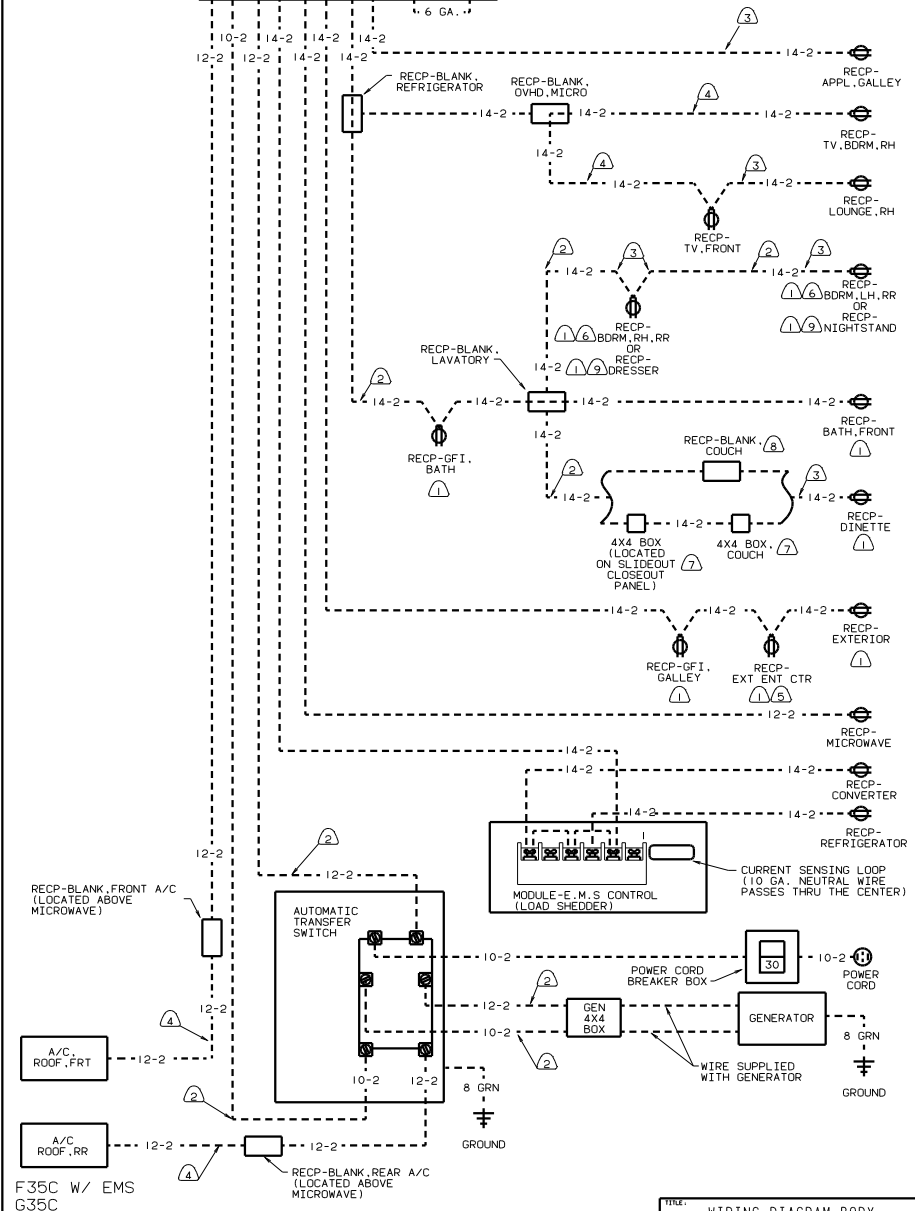
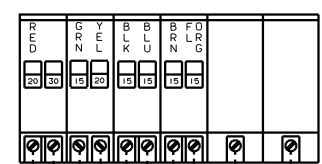
LOAD CENTER



- ⑨ 45G BED-TWINS
- ⑧ 1AB SLIDE-OUT ROOM, W/O
- ⑦ 09L SLIDE-OUT ROOM
- ⑥ 49X BED-QUEEN
- ⑤ USE WITH ENT CTR-EXT
- ④ WIRE IN ROOF
- ③ WIRE IN SIDEWALL
- ② WIRE BELOW FLOOR
- ① PROTECTED BY GFI RECP

G35C
50 AMP CAN

LOAD CENTER



F35C W/ EMS
G35C
30 AMP CAN

TITLE: WIRING DIAGRAM-BODY
30 AMP CAN CONTAINS 10 SHEETS
SHEET 3 OF 3