



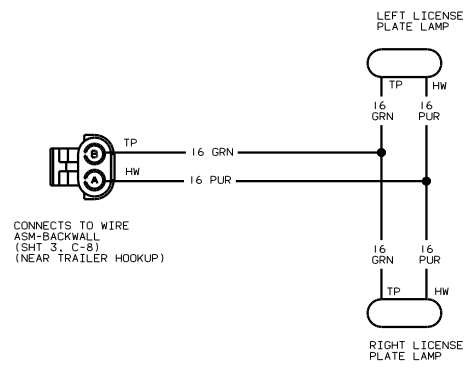
**DANGER**

**Danger of electrical shock, burns or death.** Always remove all power sources before attempting any repair, service or diagnostic work. Power can be present from shore power, generator, inverter or battery. All power sources must be disabled and secured before performing any service.

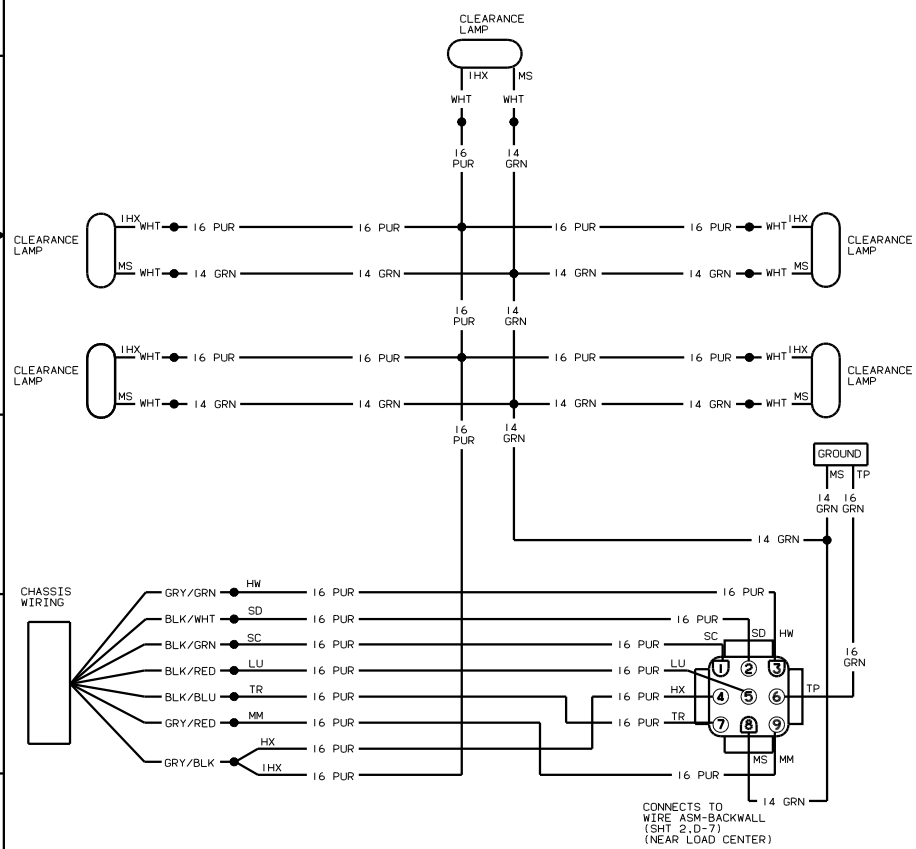


**CAUTION**

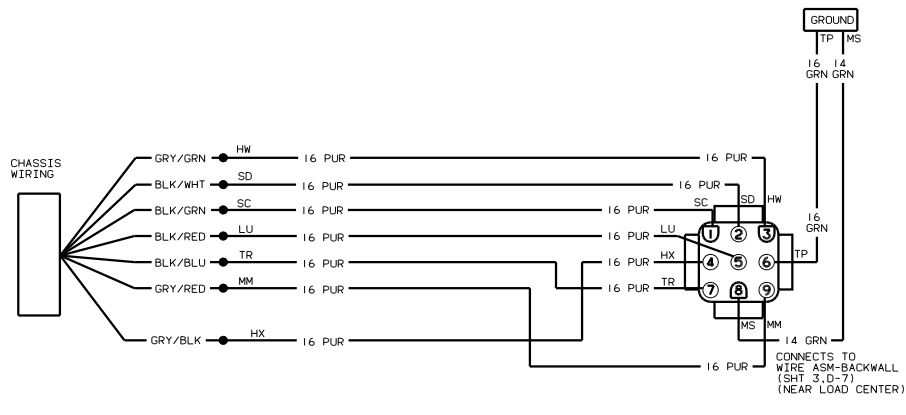
If you lack the skills, tools or equipment to perform diagnostic or repair work leave such work to an authorized Winnebago Industries dealer or other qualified shop.



WIRING DIAGRAM LICENSE PLATE LAMPS  
(WIRE ASM 113731-02 US/CA)  
(WIRE ASM-113731-01 JAPAN EXPORT)



WIRING DIAGRAM-EXTERIOR LAMPS  
(WIRE ASM 131083-01 OD HD)  
(WIRE ASM 131083-02 FD)  
(WIRE ASM 131083-03 SHELL)



WIRING DIAGRAM-CLEARANCE/TAILLAMPS  
(WIRE ASM 131083-04)  
(JAPAN EXPORT)

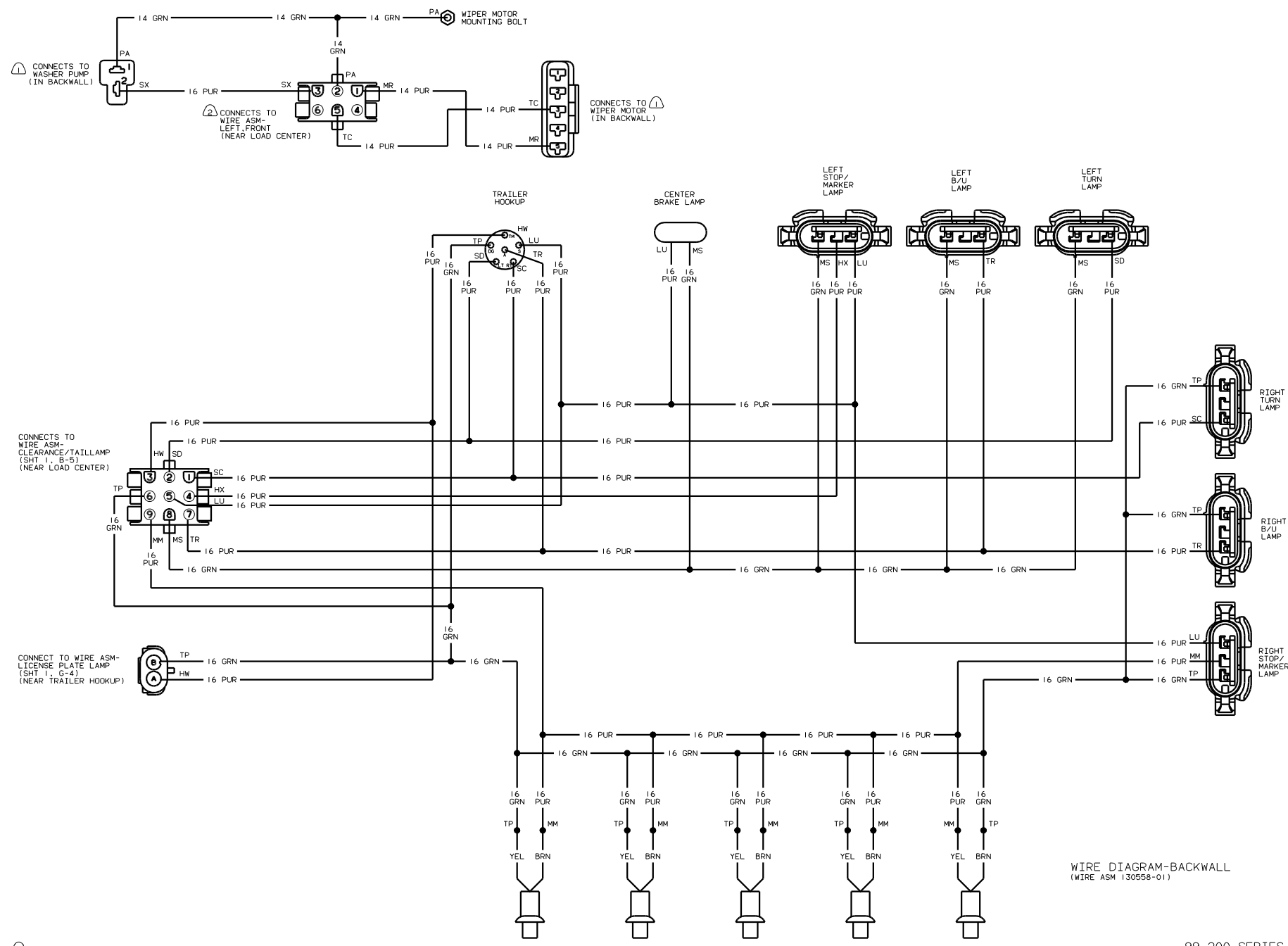
**WINNEBAGO** 99 200 SERIES

OF IN	DATE	UNSPECIFIED TOLERANCES ARE:	INVERTICAL
CHP	DATE	HALF DIM (H)	
PIE	DATE	ONE-PLACE (H, H1)	
PIE	DATE	TWO-PLACE (H, H2)	
DATE	DATE	ANGLE	
DATE	DATE	INDIC. W/ANGLE	
DATE	DATE	PROJECTION	

LANE NO. TITLE: WIRING DIAGRAM-AUTO LAMPS

SHEET 1 OF 3

REF: 127079-B 1

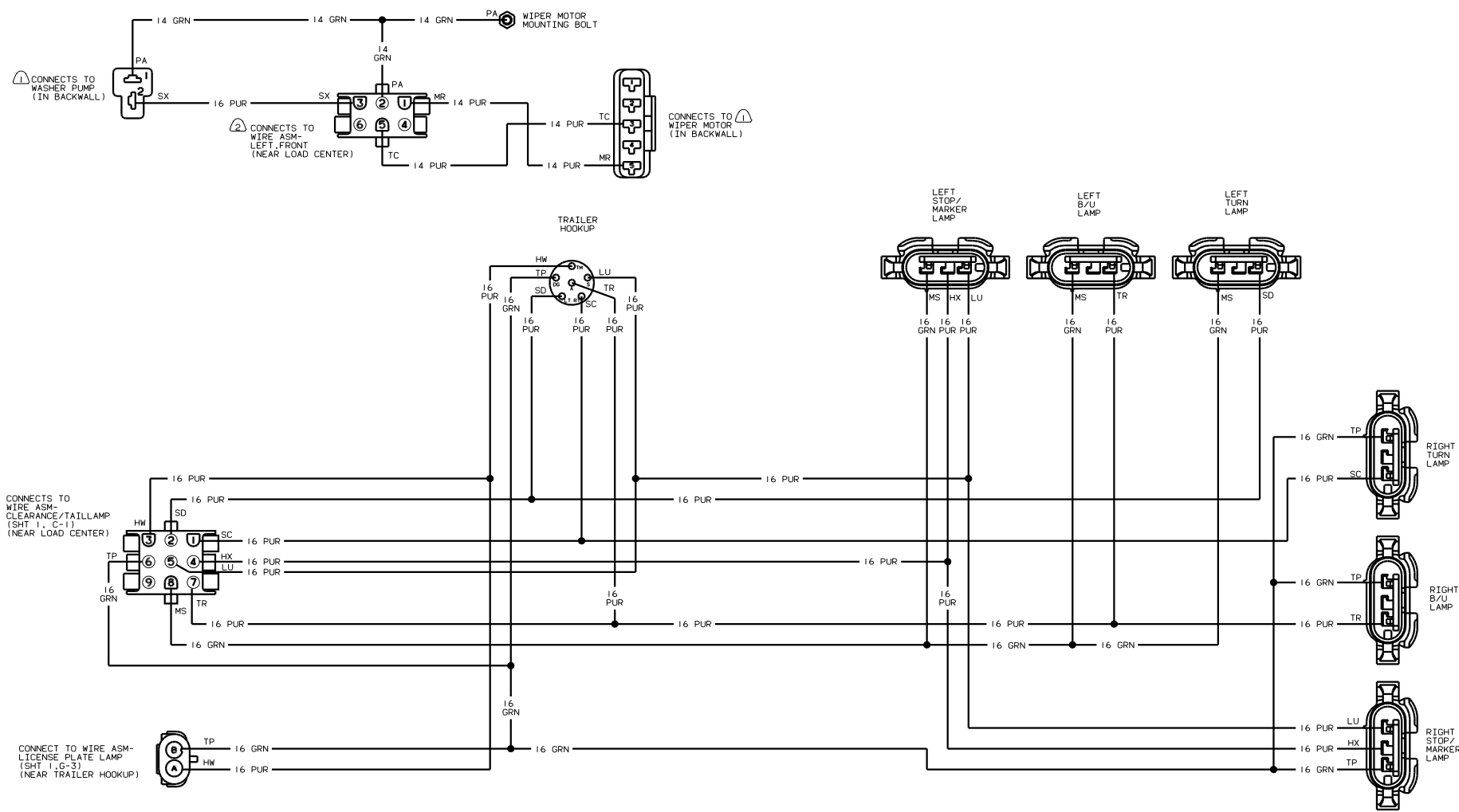


② SEE WIRING DIAGRAM-BODY FOR ADDITIONAL INFORMATION.  
 ① SEE MANUFACTURER'S DIAGRAM FOR ADDITIONAL INFORMATION.

WIRE DIAGRAM-BACKWALL  
 (WIRE ASM 130558-01)

99 200 SERIES

TITLE		WIRING DIAGRAM-AUTO LAMPS	
DATE	BY	DATE	BY
11/11/04	J.E.	11/11/04	J.E.
SHEET 2 OF 3		130504	



WIRE DIAGRAM-BACKWALL  
(WIRE ASM 130558-02)  
(JAPAN EXPORT)

99 200 SERIES

WIRING DIAGRAM-AUTO LAMPS	
NO. OF PAGES: 3	FIG. NO. 1E
SHEET 3 OF 3	130504

② SEE WIRING DIAGRAM-BODY FOR ADDITIONAL INFORMATION.  
 ① SEE MANUFACTURER'S DIAGRAM FOR ADDITIONAL INFORMATION.