



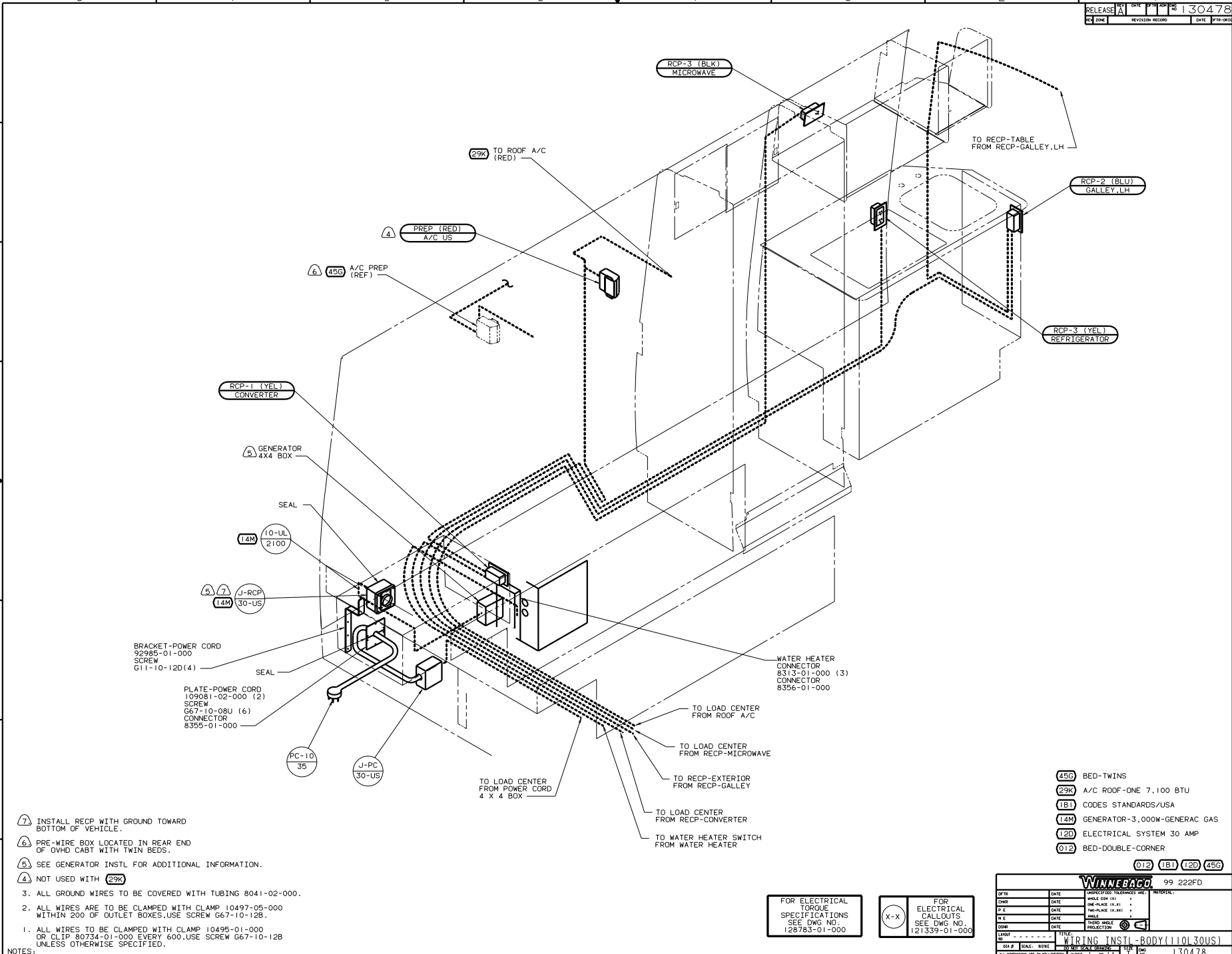
DANGER

Danger of electrical shock, burns or death. Always remove all power sources before attempting any repair, service or diagnostic work. Power can be present from shore power, generator, inverter or battery. All power sources must be disabled and secured before performing any service.



CAUTION

If you lack the skills, tools or equipment to perform diagnostic or repair work leave such work to an authorized Winnebago Industries dealer or other qualified shop.



- 7) INSTALL RECP WITH GROUND TOWARD BOTTOM OF VEHICLE.
 - 6) PRE-WIRE BOX LOCATED IN REAR END OF OVHD CABT WITH TWIN BEDS.
 - 5) SEE GENERATOR INSTL FOR ADDITIONAL INFORMATION.
 - 4) NOT USED WITH 29K
3. ALL GROUND WIRES TO BE COVERED WITH TUBING 8041-02-000.
2. ALL WIRES ARE TO BE CLAMPED WITH CLAMP 10497-05-000 WITHIN 200 OF OUTLET BOXES. USE SCREW G67-10-12B.
1. ALL WIRES TO BE CLAMPED WITH CLAMP 10495-01-000 OR CLIP 80734-01-000 EVERY 600. USE SCREW G67-10-12B UNLESS OTHERWISE SPECIFIED.

- 45G BED-TWINS
- 29K A/C ROOF-ONE 7,100 BTU
- 1B1 CODES STANDARDS/USA
- 14M GENERATOR-3,000W-GENERAC GAS
- 12D ELECTRICAL SYSTEM 30 AMP
- 012 BED-DOUBLE-CORNER

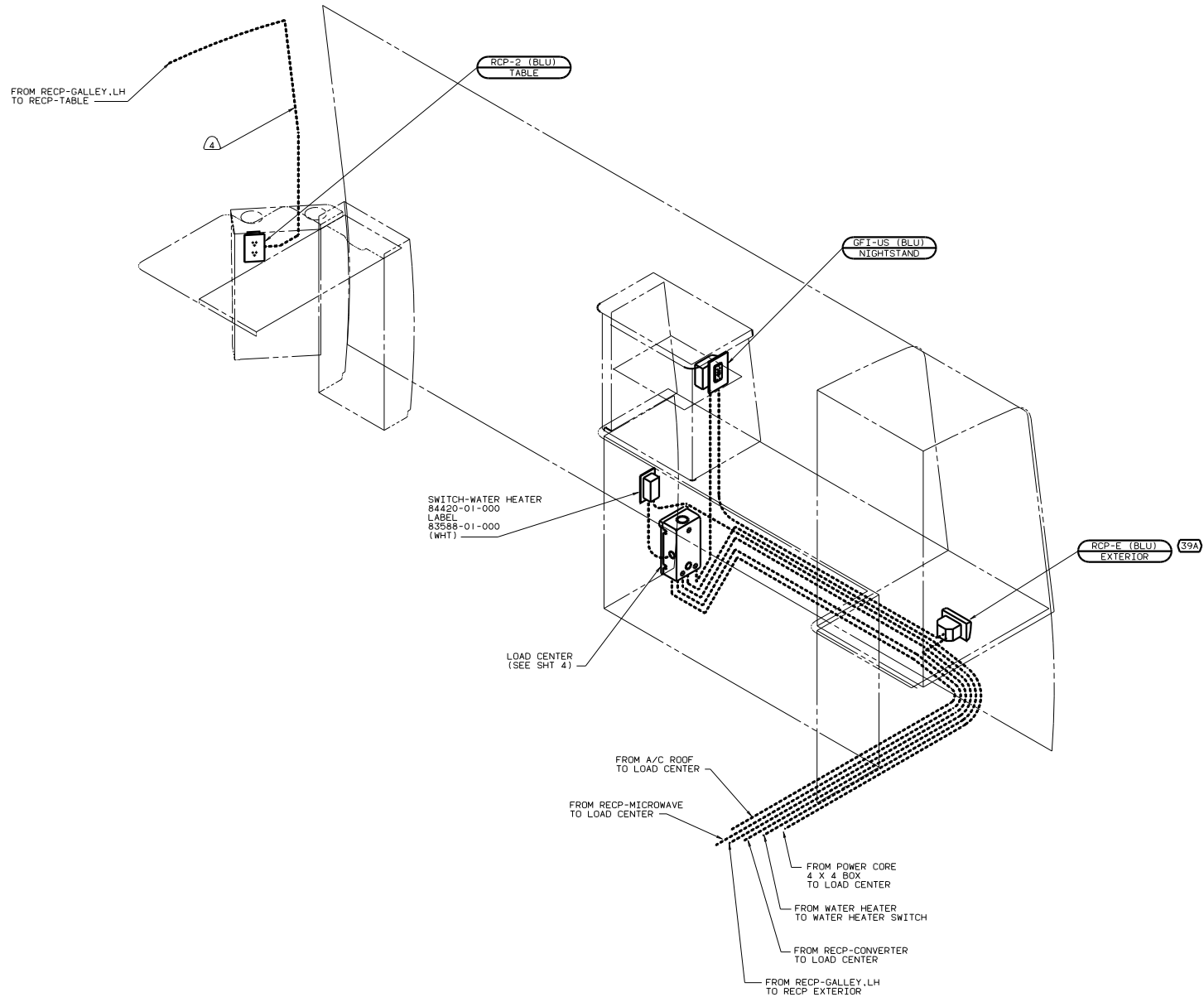
FOR ELECTRICAL TORQUE SPECIFICATIONS SEE DWG NO. 126783-01-000

X-X FOR ELECTRICAL CALLOUTS SEE DWG NO. 121339-01-000

WINNEBAGO 99 222FD

OF IN	DATE	UNSPECIFIED TOLERANCES ARE:	MATERIAL
OMP	DATE	WHOLE DIM (IN)	
PIE	DATE	ONE-PLACE (IN, .01)	
D/E	DATE	HOLE-PLACE (IN, .001)	
DATE	DATE	ANGLE	
DATE	DATE	THIRD ANGLE PERSPECTIVE	

TITLE: WIRING INSTL-BODY (110130US)
 SHEET 1 OF 14
 REF: 126969 F 1



- 4) WIRE ROUTED BEHIND TRANSITION PANEL.
- ALL GROUND WIRES TO BE COVERED WITH TUBING 8041-02-000.
 - ALL WIRES ARE TO BE CLAMPED WITH CLAMP 10497-05-000 WITHIN 200 OF OUTLET BOXES. USE SCREW G67-10-12B.
 - ALL WIRES TO BE CLAMPED WITH CLAMP 10495-01-000 OR CLIP 80734-01-000 EVERY 600. USE SCREW G67-10-12B UNLESS OTHERWISE SPECIFIED.

NOTES:

- 39A EXT RECEPTACLE DPLX 120VAC
- 1B1 CODES STANDARDS/USA
- 12D ELECTRICAL SYSTEM 30 AMP
- 012 BED-DOUBLE-CORNER

FOR ELECTRICAL TORQUE SPECIFICATIONS SEE DWG NO. 128783-01-000

FOR ELECTRICAL CALLOUTS SEE DWG NO. 121339-01-000

99 222FD 1B1 12D 012

WIRING INSTL-BODY(110R30US)
 SHEET 2 OF 14
 130478

FROM RECP-GALLEY
TO RECP-TABLE

RCP-2 (BLU)
TABLE

4

SWITCH-WATER HEATER
84420-01-000
LABEL
83588-01-000
(WHIT)

LOAD CENTER
(SEE SHT 4)

RCP-E (BLU) (39A)
EXTERIOR

FROM RECP-MICROWAVE
TO LOAD CENTER

FROM A/C ROOF
TO LOAD CENTER

GFT-US (BLU)
NIGHTSTAND

FROM POWER CORD
4 X 4 BOX
TO LOAD CENTER

FROM WATER HEATER
TO WATER HEATER SWITCH

FROM RECP-CONVERTER
TO LOAD CENTER

FROM RECP-GALLEY, LH
TO RECP-EXTERIOR

- 4 WIRE ROUTED BEHIND TRANSITION PANEL.
- ALL GROUND WIRES TO BE COVERED WITH TUBING 8011-02-000.
 - ALL WIRES ARE TO BE CLAMPED WITH CLAMP 10497-05-000 WITHIN 200 OF OUTLET BOXES. USE SCREW G67-10-12B.
 - ALL WIRES TO BE CLAMPED WITH CLAMP 10495-01-000 OR CLIP 80734-01-000 EVERY 600. USE SCREW G67-10-12B UNLESS OTHERWISE SPECIFIED.

NOTES:

FOR ELECTRICAL
TORQUE
SPECIFICATIONS
SEE DWG NO.
128783-01-000

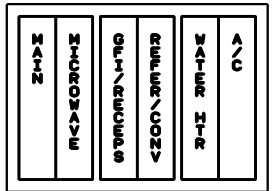
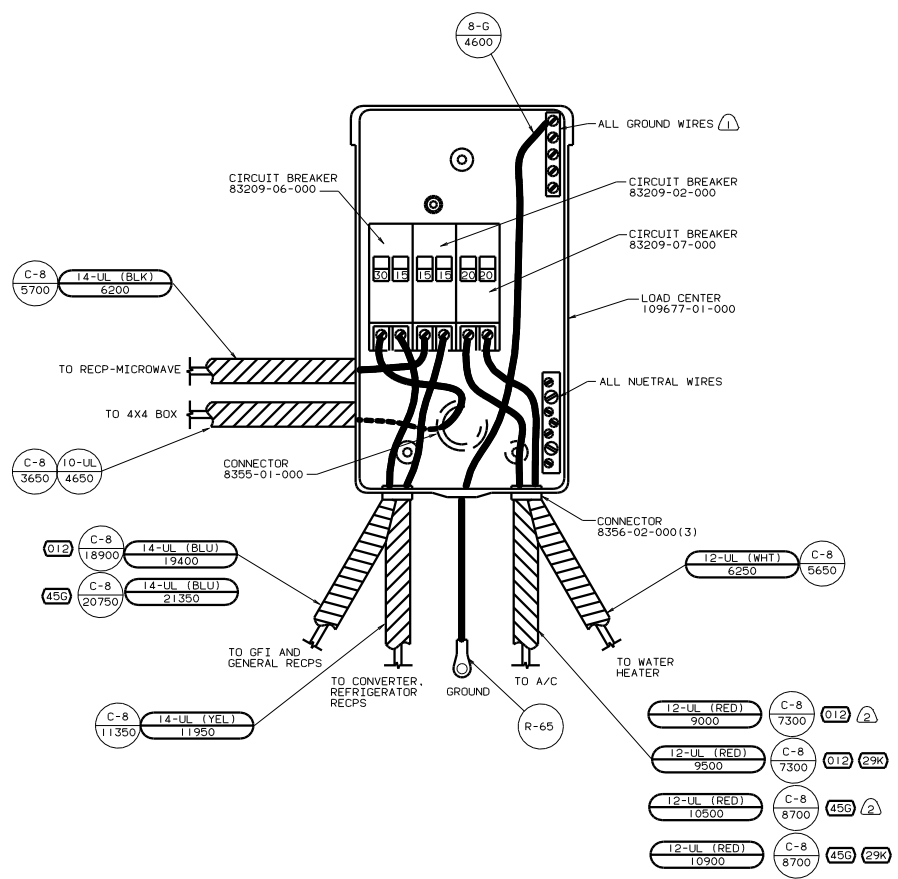
FOR
ELECTRICAL
CALLOUTS
SEE DWG NO.
121339-01-000



- 45G BED-TWINS
- 39A EXT RECEPTACLE DPLX 120VAC
- 1B1 CODES STANDARDS/USA
- 12D ELECTRICAL SYSTEM 30 AMP

99 222FD 1B1 12D 45G

WIRING INSTL-BODY (110R30US)
130478



LABEL 95721-38-000

INSTALL LABEL ON BACK SIDE OF CABINET ACCESS DOOR.

(2) WITHOUT (29K)
 (1) ALL GROUND WIRES TO BE COVERED WITH TUBING 8041-02-000.

- (45G) BED-TWINS
- (29K) A/C ROOF-ONE 7,100 BTU
- (181) CODES STANDARDS/USA
- (120) ELECTRICAL SYSTEM 30 AMP
- (012) BED-DOUBLE-CORNER

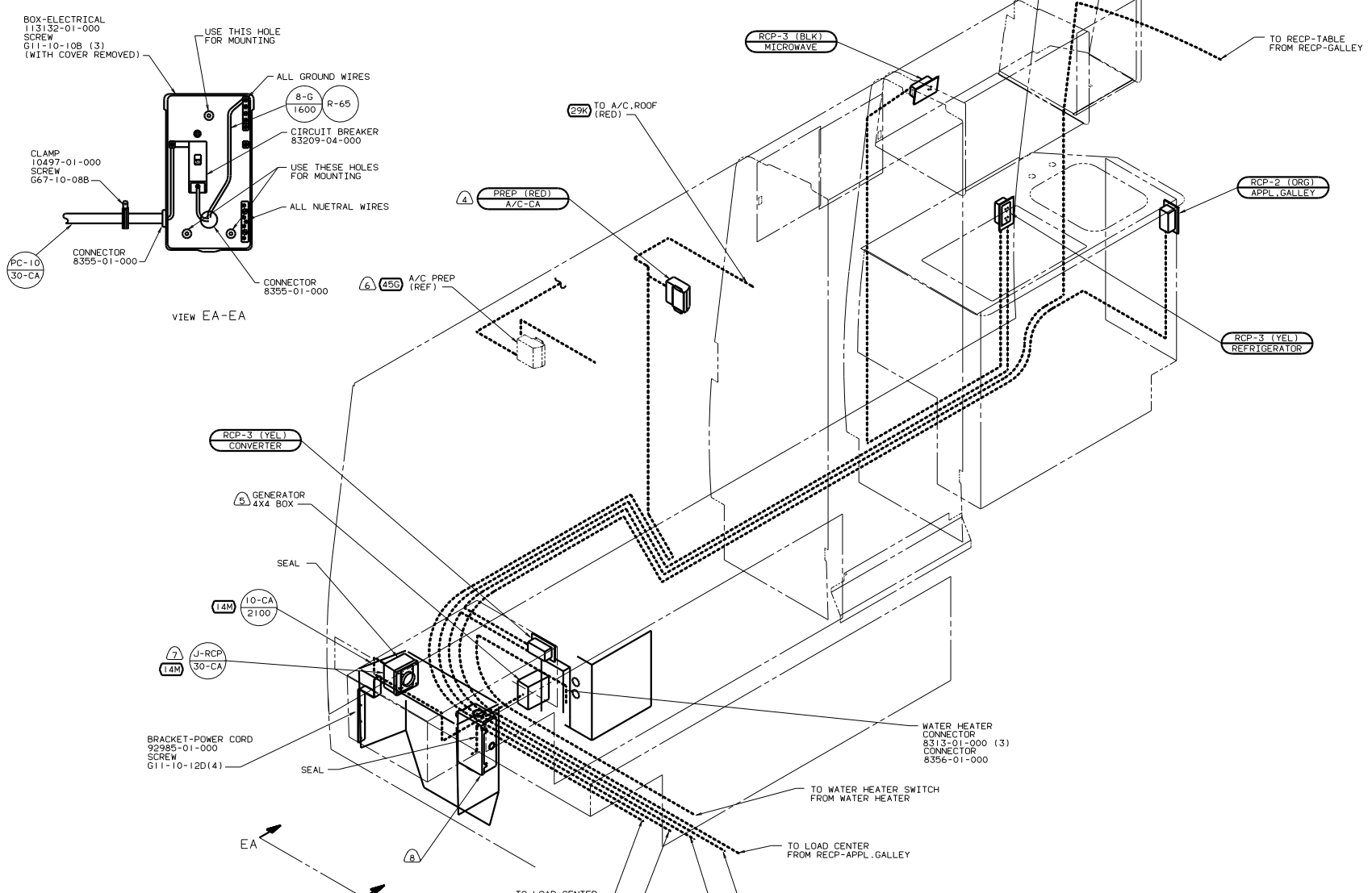
FOR ELECTRICAL TORQUE SPECIFICATIONS SEE DWS NO. 128783-01-000

(X-X) FOR ELECTRICAL CALLOUTS SEE DWS NO. 121339-01-000

99 222FD (181) (120)

TITLE		DRAWING NO.	
WIRING INSTL-BODY(30 LC US)		121339-01-000	
SHEET		PAGE NO.	
4 OF 14		16	

130478



- ⑧ LOCATE BOX SO REAR KNOCKOUT ALIGNS WITH HOLE IN COMPT WALL.
 - ⑦ INSTALL RECP WITH GROUND TOWARD BOTTOM OF VEHICLE.
 - ⑥ PRE-WIRE BOX IS LOCATED IN REAR END OF OVHD CABT WITH TWIN BEDS.
 - ⑤ SEE GENERATOR INSTL FOR ADDITIONAL INFORMATION.
 - ④ NOT USED WITH ②9K
3. ALL GROUND WIRES TO BE COVERED WITH TUBING 8011-02-000.
 2. ALL WIRES ARE TO BE CLAMPED WITH CLAMP 10497-05-000 WITHIN 200' OF OUTLET BOXES. USE SCREW 667-10-12B.
 1. ALL WIRES TO BE CLAMPED WITH CLAMP 10495-01-000 OR CLIP 80734-01-000 EVERY 600. USE SCREW 667-10-12B UNLESS OTHERWISE SPECIFIED.

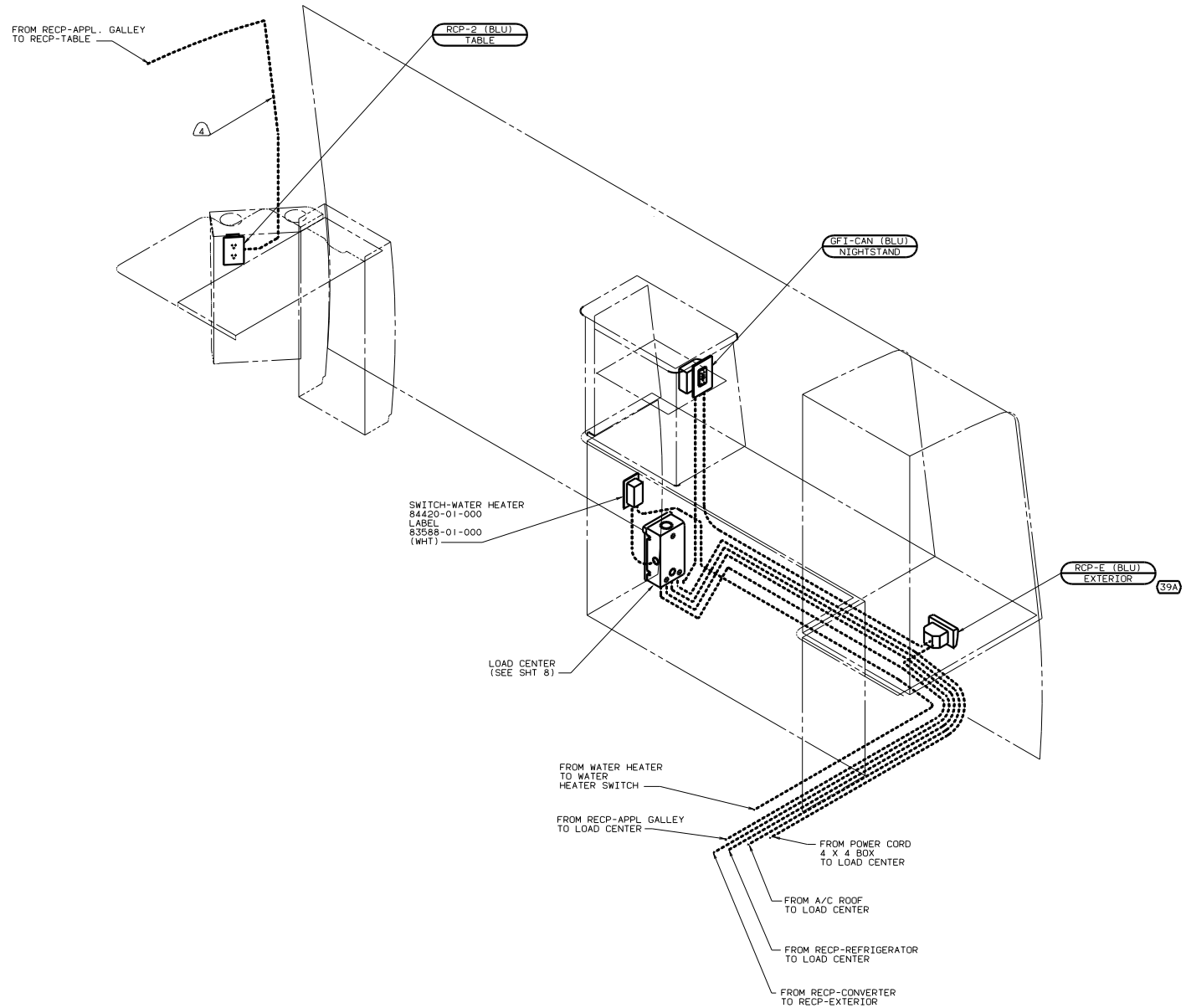
NOTES:

- ①20 ELECTRICAL SYSTEM 30 AMP
- ④56 BED-TWINS
- ②9K A/C ROOF-ONE 7,100 BTU
- ②65 CODES/STANDARDS-CSA/CMVSS
- ④4M GENERATOR-3,000W-GENERAC GAS
- ①12 BED-DOUBLE-CORNER

FOR ELECTRICAL TORQUE SPECIFICATIONS SEE DWG NO. 128783-01-000

FOR ELECTRICAL CALLOUTS SEE DWG NO. 121339-01-000

99 222FD ②65 ①20 ①12 ④56
 TITLE: WIRING INSTL-BODY(110130CAN)
 SHEET 5 OF 14



- ④ WIRE ROUTED IN SIDEWALL.
- ALL GROUND WIRES TO BE COVERED WITH TUBING 8011-02-000.
 - ALL WIRES ARE TO BE CLAMPED WITH CLAMP 10497-05-000 WITHIN 200 OF OUTLET BOXES. USE SCREW G67-10-12B.
 - ALL WIRES TO BE CLAMPED WITH CLAMP 10495-01-000 OR CLIP 80734-01-000 EVERY 600. USE SCREW G67-10-12B UNLESS OTHERWISE SPECIFIED.

NOTES:

FOR ELECTRICAL TORQUE SPECIFICATIONS SEE DWG NO. 128783-01-000

FOR ELECTRICAL CALLOUTS SEE DWG NO. 121339-01-000

- ③9A EXT RECEPTACLE DPLX 120VAC
- ②65 CODES/STANDARDS-CSA/CMVSS
- ①20 ELECTRICAL SYSTEM 30 AMP
- ①12 BED-DOUBLE-CORNER

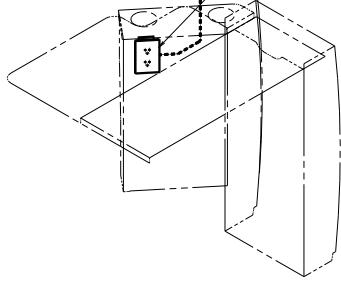
99 222FD ②65 ①20 ①12

TITLE: WIRING INSTL-BODY (L10R30CAN)
 SHEET 6 OF 14 FILE NO. 130478

FROM RECP-APPL GALLEY
TO RECP-TABLE

RCP-2 (BLU)
TABLE

4



SWITCH-WATER HEATER
84420-01-000
LABEL
83588-01-000
(WHIT)

LOAD CENTER
(SEE SHT 8)

RCP-E (BLU)
EXTERIOR 39A

FROM WATER HEATER
TO WATER
HEATER SWITCH

GFI-CAN (BLU)
NIGHTSTAND

FROM POWER CORD
4 X 4 BOX
TO LOAD CENTER

FROM A/C ROOF
TO LOAD CENTER

FROM RECP-REFRIGERATOR
TO LOAD CENTER

FROM RECP-CONVERTER
TO RECP-EXTERIOR

FROM RECP-APPL GALLEY
TO LOAD CENTER

4 WIRE ROUTED IN SIDEWALL.

3. ALL GROUND WIRES TO BE COVERED WITH TUBING 8011-02-000.

2. ALL WIRES ARE TO BE CLAMPED WITH CLAMP 10497-05-000
WITHIN 200 OF OUTLET BOXES. USE SCREW G67-10-12B.

1. ALL WIRES TO BE CLAMPED WITH CLAMP 10495-01-000 OR
CLIP 80734-01-000 EVERY 600. USE SCREW G67-10-12B
UNLESS OTHERWISE SPECIFIED.

NOTES:

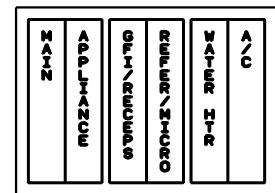
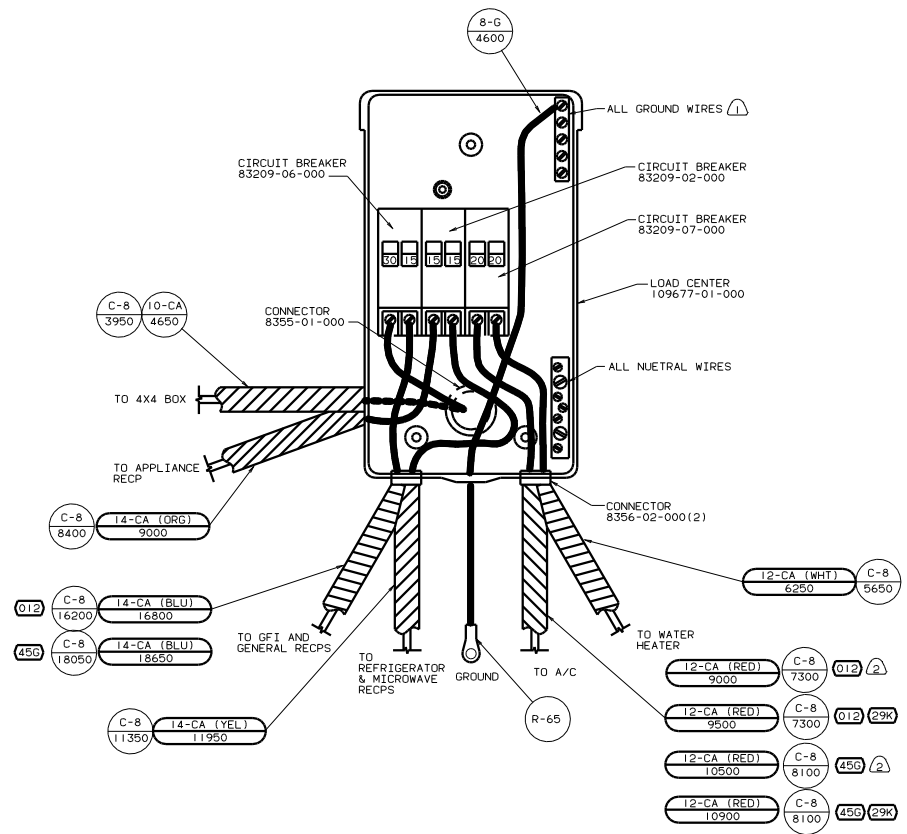
FOR ELECTRICAL
TORQUE
SPECIFICATIONS
SEE DWG NO.
128783-01-000

FOR
ELECTRICAL
CALLOUTS
SEE DWG NO.
121339-01-000

- 45G BED-TWINS
- 39A EXT RECEPTACLE DPLX 120VAC
- 265 CODES/STANDARDS-CSA/CMVSS
- 12D ELECTRICAL SYSTEM 30 AMP

99 222FD 265 12D 45G

FILE: WIRING INSTL-BODY(110R30CAN)
NO. 101 SCALE: 1:1 SHEET 7 OF 15 DWG NO. 130478



LABEL 95721-39-000

INSTALL LABEL ON BACK SIDE OF CABINET ACCESS DOOR.

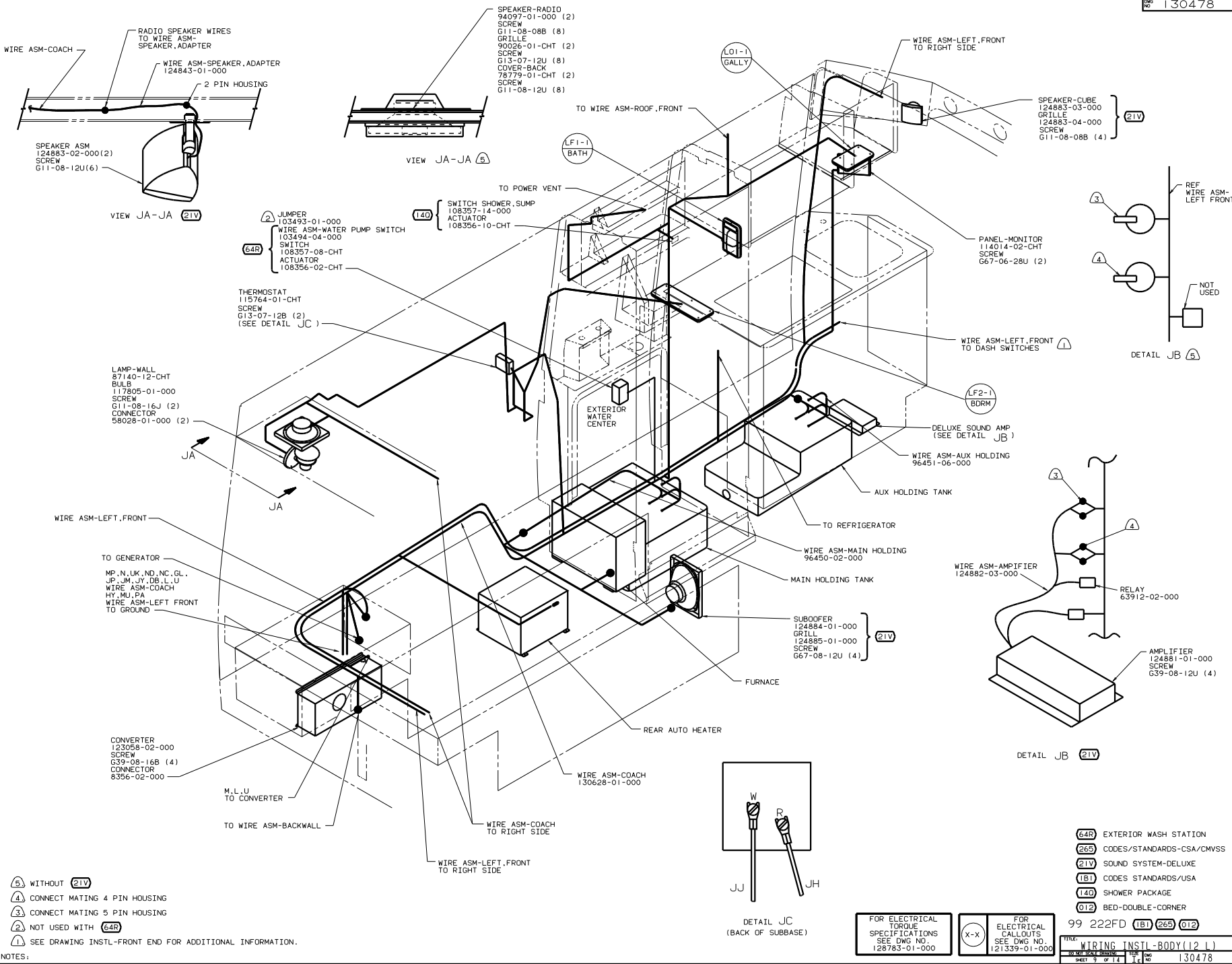
WITHOUT (29K)
 ALL GROUND WIRES TO BE COVERED WITH TUBING 8041-02-000.

- (45G) BED-TWINS
- (29K) A/C ROOF-ONE 7,100 BTU
- (265) CODES/STANDARDS-CSA/CMVSS
- (12D) ELECTRICAL SYSTEM 30 AMP
- (012) BED-DOUBLE-CORNER

FOR ELECTRICAL TORQUE SPECIFICATIONS SEE DWG NO. 128763-01-000

FOR ELECTRICAL CALLOUTS SEE DWG NO. 121339-01-000

99 222FD (265) (12D)
WIRING INSTL-BODY(30 LC CAN)
 SHEET 8 OF 14



- (5) WITHOUT (21V)
- (4) CONNECT MATING 4 PIN HOUSING
- (3) CONNECT MATING 5 PIN HOUSING
- (2) NOT USED WITH (64R)
- (1) SEE DRAWING INSTL-FRONT END FOR ADDITIONAL INFORMATION.

- (64R) EXTERIOR WASH STATION
- (265) CODES/STANDARDS-CSA/CMVSS
- (21V) SOUND SYSTEM-DELUXE
- (181) CODES STANDARDS/USA
- (14B) SHOWER PACKAGE
- (012) BED-DOUBLE-CORNER

FOR ELECTRICAL TORQUE SPECIFICATIONS SEE DWG NO. 128783-01-000

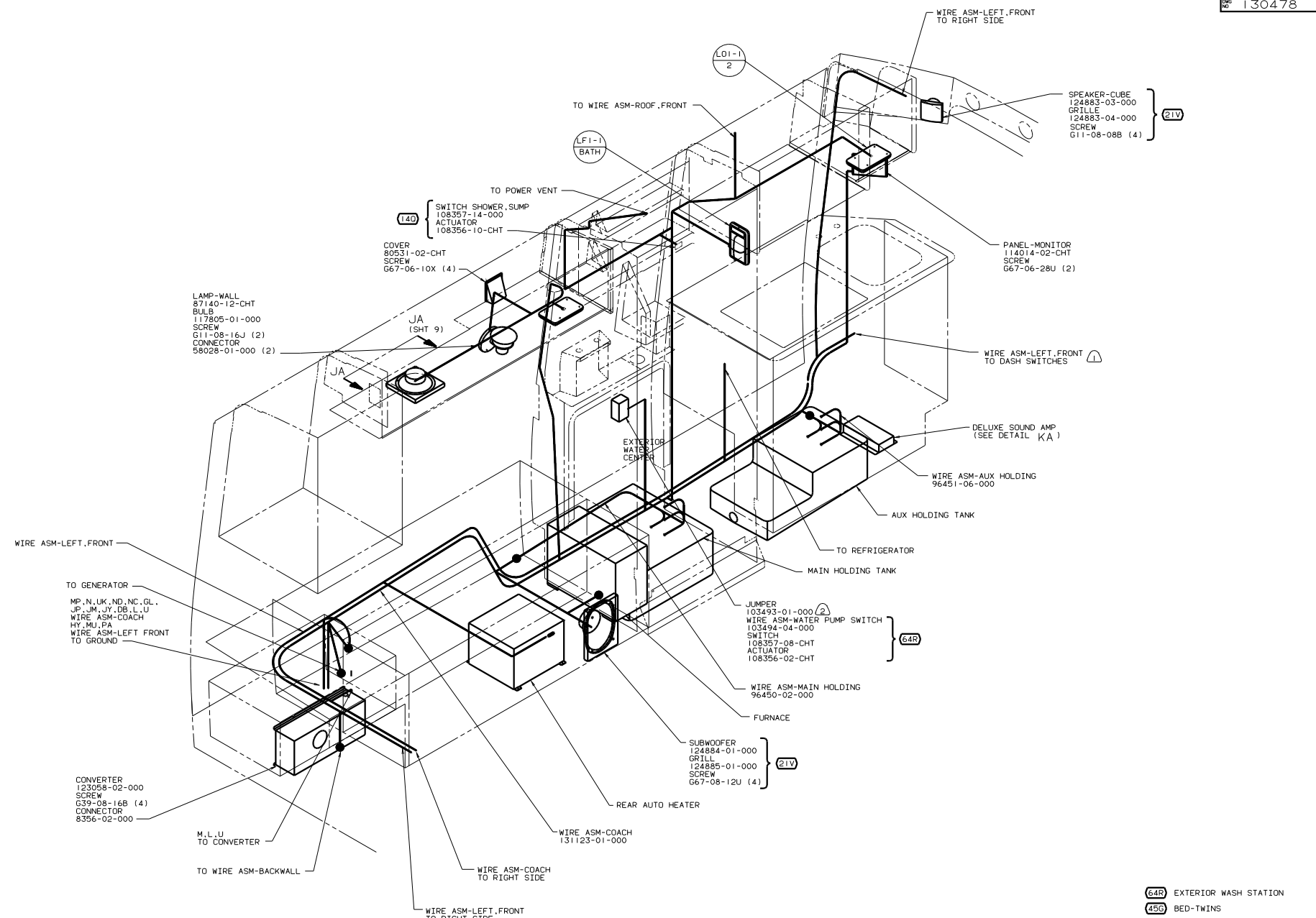
X-X FOR ELECTRICAL CALLOUTS SEE DWG NO. 121339-01-000

99 222FD (181) (265) (012)

TITLE: WIRING INSTL-BODY (12 L)

NO. OF SHEETS: 9 OF 14 SHEET 9 OF 14

130478



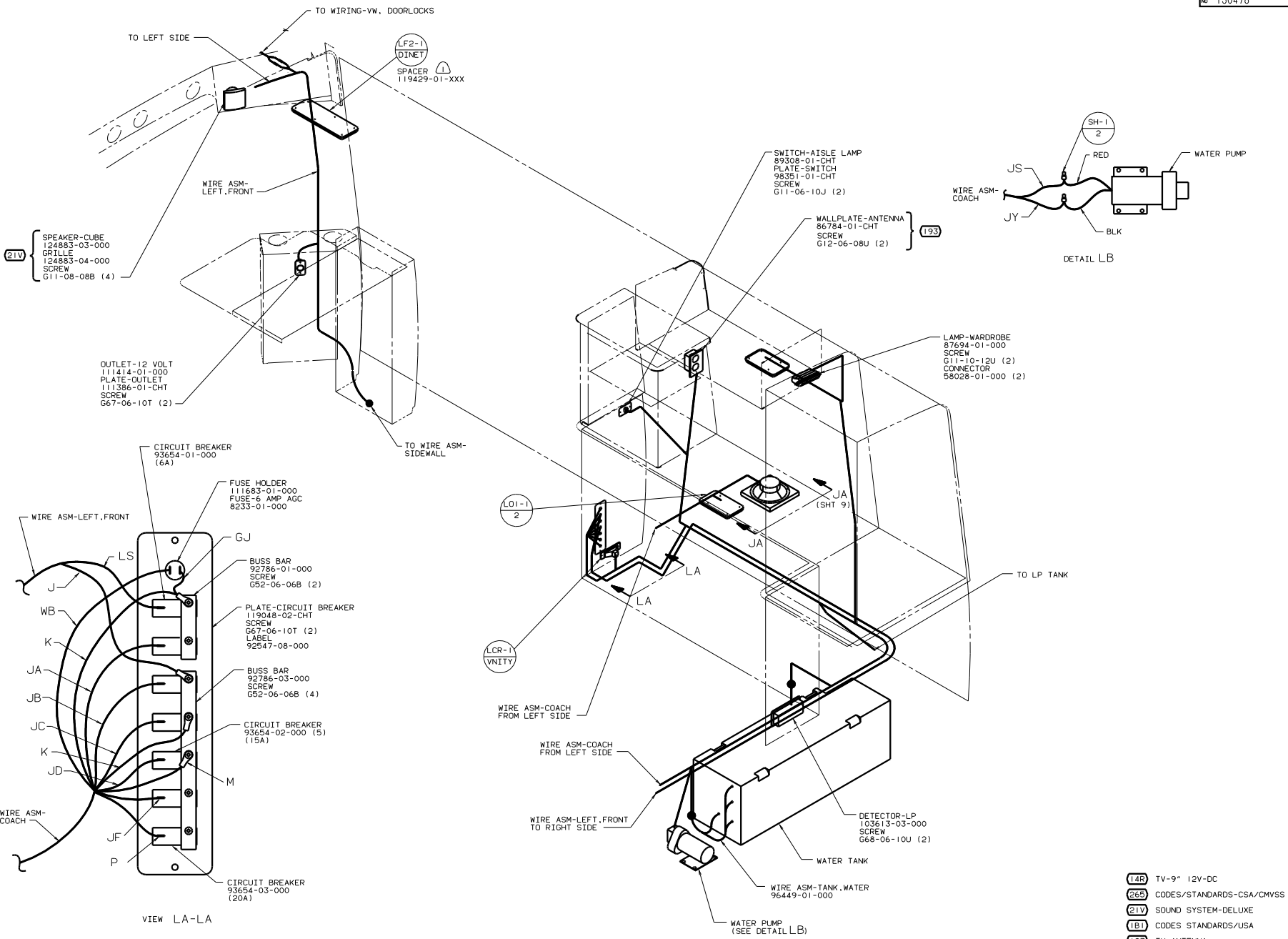
- (6) RELAY ASM PROVIDED WITH WIRE ASM-AMPLIFIER.
- (5) WITHOUT (21V)
- (4) CONNECT MATING 4 PIN HOUSING.
- (3) CONNECT MATING 5 PIN HOUSING.
- (2) NOT USED WITH (64R)
- (1) SEE DRAWING INSTL-FRONT END FOR ADDITIONAL INFORMATION.

- (64R) EXTERIOR WASH STATION
- (45G) BED-TWINS
- (26S) CODES/STANDARDS-CSA/CMVSS
- (21V) SOUND SYSTEM-DELUXE
- (1B1) CODES STANDARDS/USA
- (14D) SHOWER PACKAGE

FOR ELECTRICAL
TORQUE
SPECIFICATIONS
SEE DWG NO.
128783-01-000

FOR ELECTRICAL
CALLOUTS
SEE DWG NO.
121339-01-000

99 222FD (1B1) (26S) (45G)
 TITLE: WIRING INSTL-BODY (12 L)
 SHEET 10 OF 14



- (21V) {
- SPEAKER-CUBE
- 124883-03-000
- GRILLE
- 124883-04-000
- SCREW
- G11-08-08B (4)

- (193)

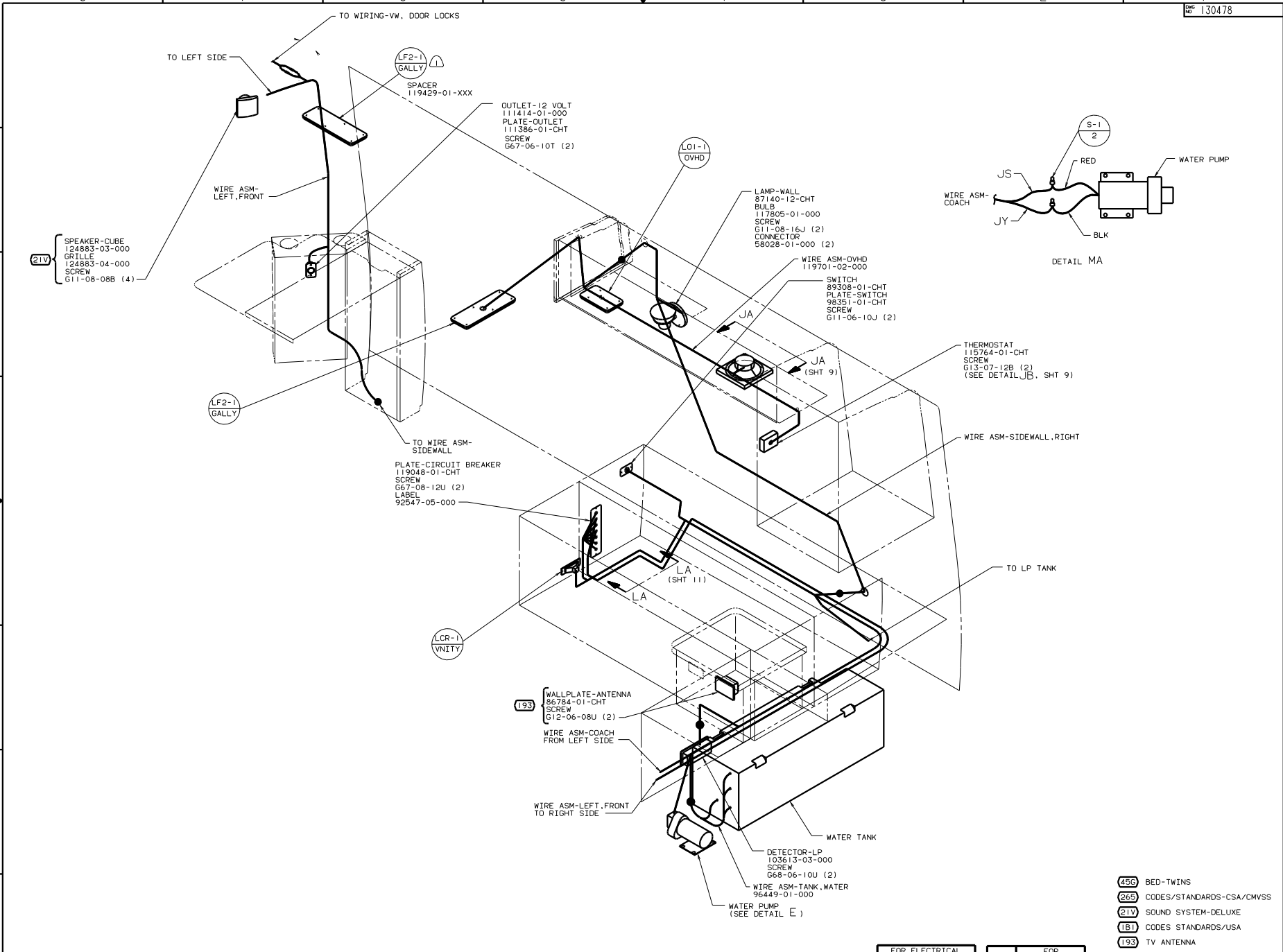
- (14R) TV-9" 12V-DC
- (26S) CODES/STANDARDS-CSA/CMVSS
- (21V) SOUND SYSTEM-DELUXE
- (1B1) CODES STANDARDS/USA
- (193) TV ANTENNA
- (012) BED-DOUBLE-CORNER

NOTES:
 1. PILOT HOLES MUST BE DRILLED FOR SCREW CLEARANCE.

FOR ELECTRICAL TORQUE SPECIFICATIONS SEE DWG NO. 128783-01-000

FOR ELECTRICAL CALLOUTS SEE DWG NO. 121339-01-000

99 222FD (1B1) (26S) (012)
 TITLE: WIRING INSTL-BODY (12_R)
 SHEET 11 OF 14



21V
 SPEAKER-CUBE
 124883-03-000
 GRILLE
 124883-04-000
 SCREW
 G11-08-08B (4)

LF2-1
 GALLY

SPACER
 119429-01-XXX

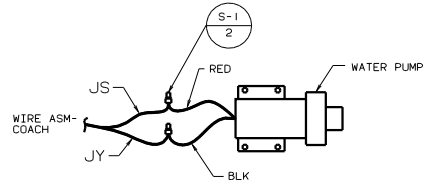
OUTLET-12 VOLT
 111414-01-000
 PLATE-OUTLET
 111386-01-CHT
 SCREW
 G67-06-10T (2)

LO1-1
 OVHD

LAMP-WALL
 87140-12-CHT
 BULB
 117805-01-000
 SCREW
 G11-08-16J (2)
 CONNECTOR
 98028-01-000 (2)

WIRE ASM-OVHD
 119701-02-000

SWITCH
 89308-01-CHT
 PLATE-SWITCH
 98351-01-CHT
 SCREW
 G11-06-10J (2)



DETAIL MA

LF2-1
 GALLY

PLATE-CIRCUIT BREAKER
 119048-01-CHT
 SCREW
 G67-08-12U (2)
 LABEL
 92547-05-000

THERMOSTAT
 115764-01-CHT
 SCREW
 G13-07-12B (2)
 (SEE DETAIL JB, SHT 9)

LCR-1
 VNVITY

193
 WALLPLATE-ANTENNA
 86784-01-CHT
 SCREW
 G12-06-08U (2)

WIRE ASM-COACH
 FROM LEFT SIDE

WIRE ASM-LEFT FRONT
 TO RIGHT SIDE

DETECTOR-LP
 103613-03-000
 SCREW
 G68-06-10U (2)

WIRE ASM-TANK,WATER
 96449-01-000

WATER PUMP
 (SEE DETAIL E)

- 456 BED-TWINS
- 265 CODES/STANDARDS-CSA/CMVSS
- 21V SOUND SYSTEM-DELUXE
- 181 CODES STANDARDS/USA
- 193 TV ANTENNA

PILOT HOLES MUST BE DRILLED FOR SCREW CLEARANCE.

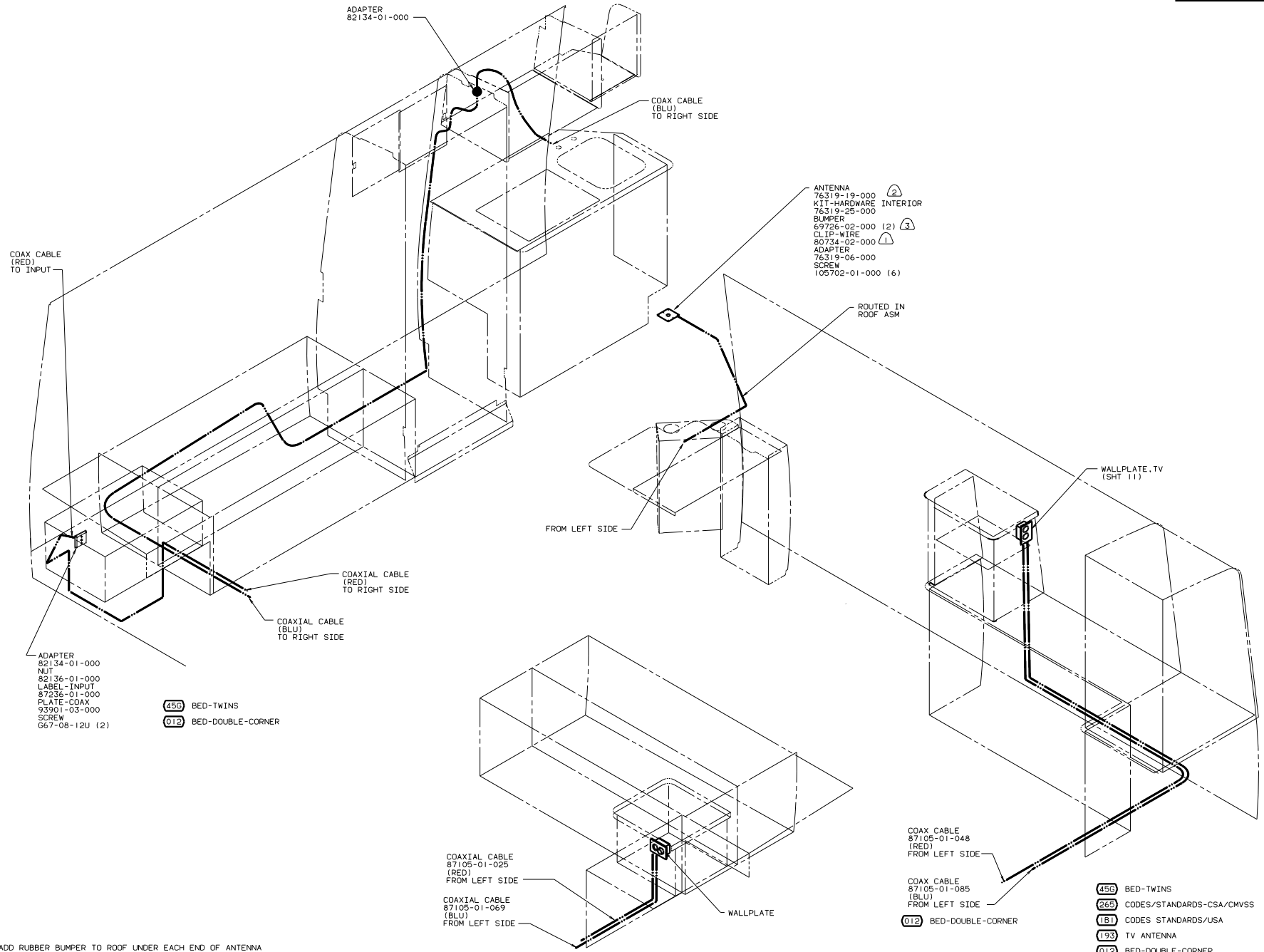
NOTES:

FOR ELECTRICAL
 TORQUE
 SPECIFICATIONS
 SEE DWG NO.
 128783-01-000

X-X
 FOR
 ELECTRICAL
 CALLOUTS
 SEE DWG NO.
 121339-01-000

99 222FD (181) (265) (456)

TITLE	WIRING INSTL-BODY(12_R)
NO. OF SHEETS	14
SHEET NO.	12 OF 14
FIG. NO.	1
DWG. NO.	130478



- ANTENNA 76319-19-000
- KIT-HARDWARE INTERIOR 76319-25-000
- BUMPER 69726-02-000 (2)
- CLIP-WIRE 80734-02-000
- ADAPTER 76319-06-000
- SCREW 105702-01-000 (6)

- ADAPTER 82134-01-000
- NUT 82136-01-000
- LABEL-INPUT 87236-01-000
- PLATE-COAX 93901-03-000
- SCREW 067-08-12U (2)

- 450 BED-TWINS
- 012 BED-DOUBLE-CORNER

- COAXIAL CABLE 87105-01-025 (RED) FROM LEFT SIDE
- COAXIAL CABLE 87105-01-069 (BLU) FROM LEFT SIDE

- 450 BED-TWINS

- COAX CABLE 87105-01-048 (RED) FROM LEFT SIDE

- COAX CABLE 87105-01-085 (BLU) FROM LEFT SIDE

- 012 BED-DOUBLE-CORNER

- 450 BED-TWINS
- 265 CODES/STANDARDS-CSA/CMVSS
- 181 CODES STANDARDS/USA
- 193 TV ANTENNA
- 012 BED-DOUBLE-CORNER

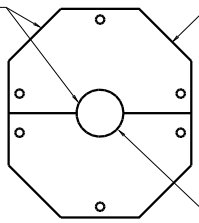
- 3 ADD RUBBER BUMPER TO ROOF UNDER EACH END OF ANTENNA IN DOWN POSITION WHICH MAY IN CONTACT WITH ROOF.
- 2 SEE DRAWING 76319-01-000 FOR ADDITIONAL INFORMATION.
- 1 LOCATE TO RETAIN CABLE BUT NOT RESTRICT TRAVEL OF ANTENNA.

FOR ELECTRICAL TORQUE SPECIFICATIONS SEE DWG NO 128783-01-000

99 222FD 181 265 193

TITLE	WIRING INSTL-BODY(COAX)
DATE	1.1
DWG NO	130478
SHEET	13 OF 14

SEAL
PLATE 109081-02-000 (2)
SCREW G11-08-16U (6)



VIEW PA-PA

GROMMET 71015-18-000
AIR CONDITIONER 93306-01-CHT
CEILING ASM 93307-03-000
SPRING A/C 102289-01-000 (4)

LAMP-CLEARANCE, AMBER 113709-01-000 (5)
SCREW G11-08-12T (10)
SEAL

LAMP-CLEARANCE, RED 111102-01-000 (5)
LAMP-MARKER, LENS, RED 111102-03-000 (5)
SCREW G39-08-12U (EXT) (10)
SEAL

LAMP ASM-CENTER BRAKE 121950-01-000
SCREW (SUPPLIED W/LAMP)

WIRE ASM-BACKWALL 130558-01-000

TO WIPER MOTOR

TO WASHER PUMP

CONNECTOR-SOCKET, TRAILER SCREW 101618-01-000 (2)

TO WIRE ASM- LICENSE PLATE LAMP

LAMP ASM 112126-03-000 (RH)
112126-04-000 (LH)
SOCKET-LAMP 112709-01-000 (2)
112709-02-000 (2)
112709-03-000 (2)
BULB 112707-01-000 (4)
112708-01-000 (2)
BRACKET ASM-TAIL LAMP 113778-03-000 (2)
SCREW G39-10-209 (4)
GROMMET 23942-01-000 (2)

ON INTERIOR OF CAP, GRIND OFF TIP OF SCREW PRIOR TO SEALING (TO PROVIDE INNER LINER CLEARANCE).

CONNECT WIRE HX (PUR) TO RED WIRE AND WIRE MS (GRN) TO WHT WIRE.

SEE WIRING INSTL-FRONT END FOR ADDITIONAL INFORMATION.

SEE BUMPER ASM-REAR FOR ADDITIONAL INFORMATION.

LOCATE ON CENTER OF HOLE IN CAP ASM-REAR.

CONNECTOR-PLUG, TRAILER 113589-01-000 TO BE SUPPLIED LOOSE IN COACH WITH TRAILER TOW PACKAGE.

NOTES:

29K A/C ROOF-ONE 7,100 BTU
265 CODES/STANDARDS-CSA/CMVSS
1B1 CODES STANDARDS/USA
99 222FD 1B1 265

FOR ELECTRICAL TORQUE SPECIFICATIONS SEE DWG NO. 128783-01-000

FOR ELECTRICAL CALLOUTS SEE DWG NO. 121339-01-000

TITLE: WIRING INSTL-BODY
SHEET 14 OF 14