



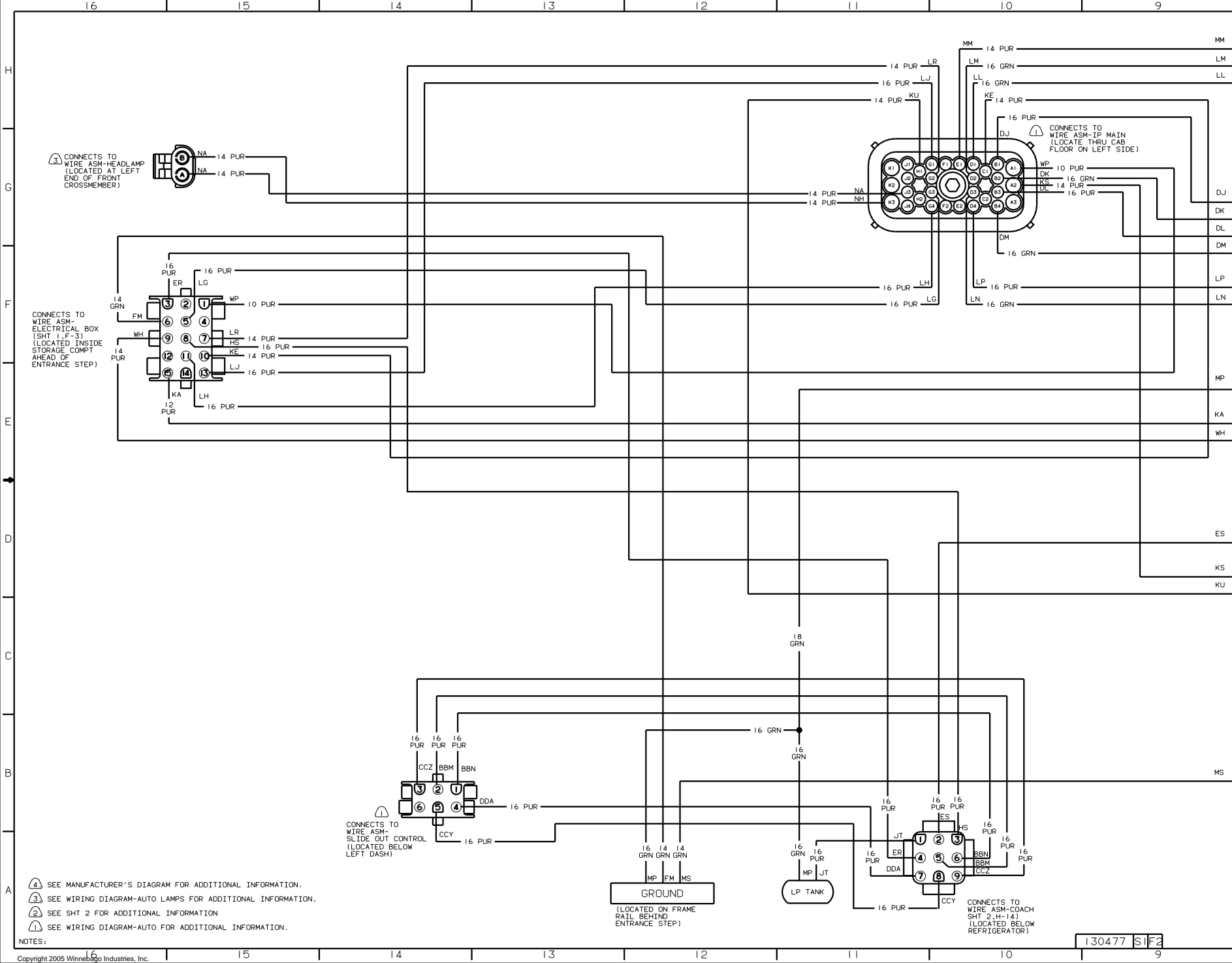
DANGER

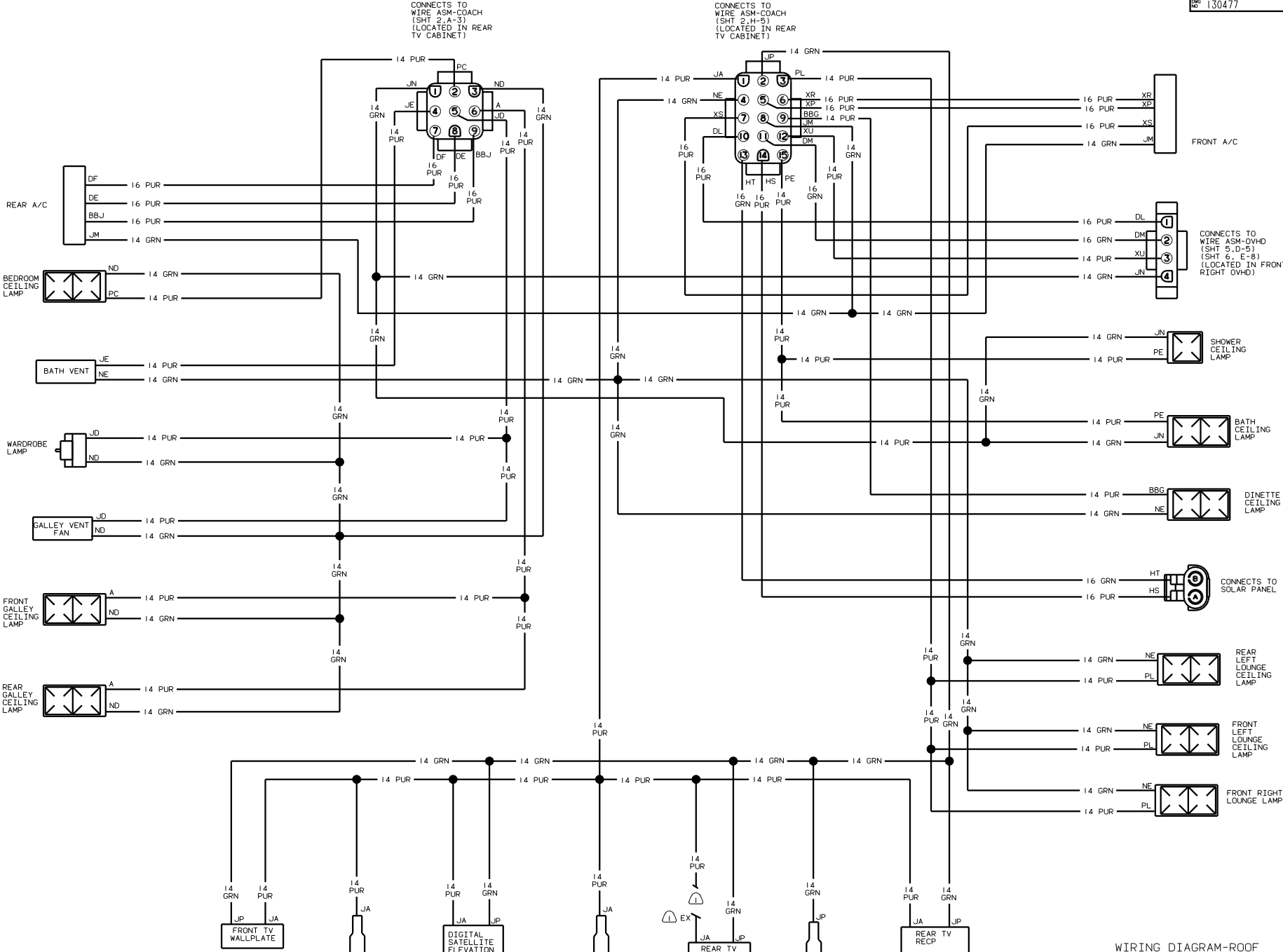
Danger of electrical shock, burns or death. Always remove all power sources before attempting any repair, service or diagnostic work. Power can be present from shore power, generator, inverter or battery. All power sources must be disabled and secured before performing any service.



CAUTION

If you lack the skills, tools or equipment to perform diagnostic or repair work leave such work to an authorized Winnebago Industries dealer or other qualified shop.





WITH BEDROOM TV OPTION
SEE SHT 5.C-2 FOR TV SWITCH WIRING.

NOTES:

SPEAKER
SELECTOR
SWITCH

DIGITAL
SATELLITE
ELEVATION
SENSOR

SPEAKER
SELECTOR
SWITCH

REAR TV
WALLPLATE

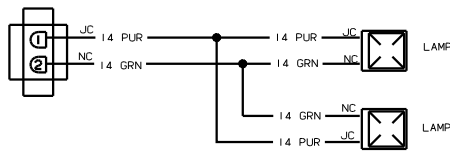
ANTENNA
GROUND

REAR TV
RECP

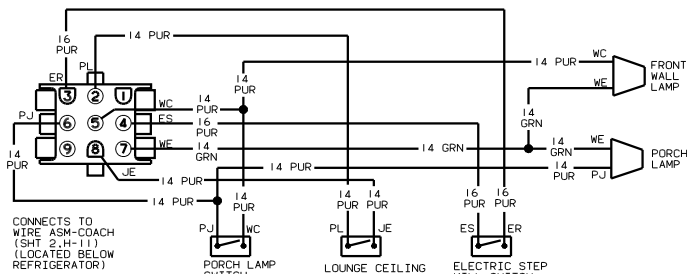
WIRING DIAGRAM-ROOF
(WIRE ASM 131121) 99 L34Y

TITLE: WIRING DIAGRAM-BODY	
NO. OF SHEETS: 6	SHEET NO. 3 OF 6
REV. NO. 1	REV. DATE
130477	

CONNECTS TO WIRE ASM-ROOF (SHT 4,E-5) (LOCATED IN REAR SHIRT CABINET)

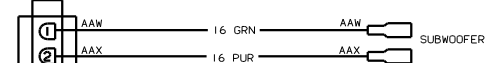


WIRING DIAGRAM-OVHD
(WIRE ASM-122279-01)

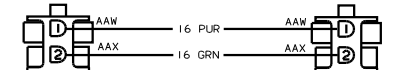


WIRING DIAGRAM-SIDEWALL,RIGHT
(WIRE ASM-126100)

CONNECTS TO WIRE ASM-SIDEWALL,LEFT (SHT 4,G-1) (LOCATED BEHIND COUCH)



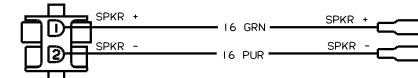
WIRING DIAGRAM-SPEAKER,DELUXE EXT
(WIRE ASM-124864-03)



CONNECTS TO WIRE ASM-SLIDEOUT ROOM (SHT 4,F-1) (LOCATED BEHIND STOVE)

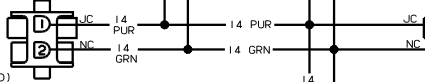
WIRING DIAGRAM-SIDEWALL,LEFT
(WIRE ASM-125866)

CONNECTS TO SPEAKER (LOCATED IN FRONT OVHDS)



WIRING DIAGRAM-SPEAKER,ADAPTER
(WIRE ASM-124843-01)

CONNECTS TO WIRE ASM-SLIDEOUT ROOM (SHT 5,B-1) (LOCATED IN REAR NIGHTSTAND)



WIRING DIAGRAM-SIDEWALL,SLIDEOUT
(WIRE ASM-130616)

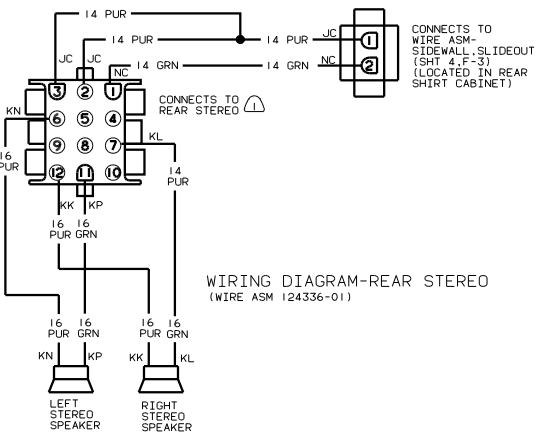
CONNECTS TO WIRE ASM-OVHD (SHT 4, H-8) (LOCATED IN REAR SHIRT CABT)



WIRING DIAGRAM OVHD
(WIRE ASM 126025)

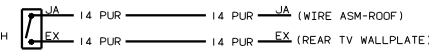
CONNECTS TO WIRE ASM-ROOF (SHT 3, F-8) (LOCATED IN FRONT RIGHT OVHD CABINET)

CONNECTS TO WIRE ASM-SIDEWALL,SLIDEOUT (SHT 4,F-3) (LOCATED IN REAR SHIRT CABINET)



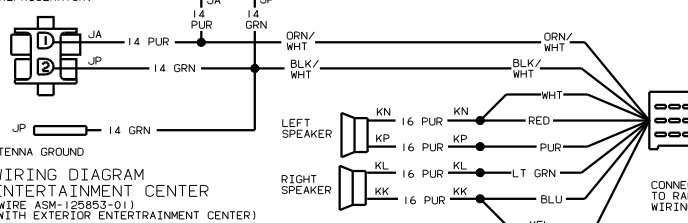
WIRING DIAGRAM-REAR STEREO
(WIRE ASM 124336-01)

TV SWITCH



WIRING DIAGRAM TV,SWITCH
(WIRE ASM 126819)

CONNECTS TO WIRE ASM-RIGHT (SHT 2,E-1) (LOCATED BELOW REFRIGERATOR)



WIRING DIAGRAM ENTERTAINMENT CENTER
(WIRE ASM-125853-01)
(WITH EXTERIOR ENTERTAINMENT CENTER)

CONNECTS TO WIRE ASM-COUCHWALL,LEFT (SHT 2,B-4) (LOCATED IN BED CABT)



WIRING DIAGRAM-SLIDEOUT ROOM
(WIRE ASM-128706)

- ④ WITH BEDROOM TV
- ③ WITH DELUXE SOUND.
- ② WITHOUT DELUXE SOUND.
- ① SEE WIRING DIAGRAM-AUTO FOR ADDITIONAL INFORMATION.

99 L34Y

