



**DANGER**

**Danger of electrical shock, burns or death.** Always remove all power sources before attempting any repair, service or diagnostic work. Power can be present from shore power, generator, inverter or battery. All power sources must be disabled and secured before performing any service.

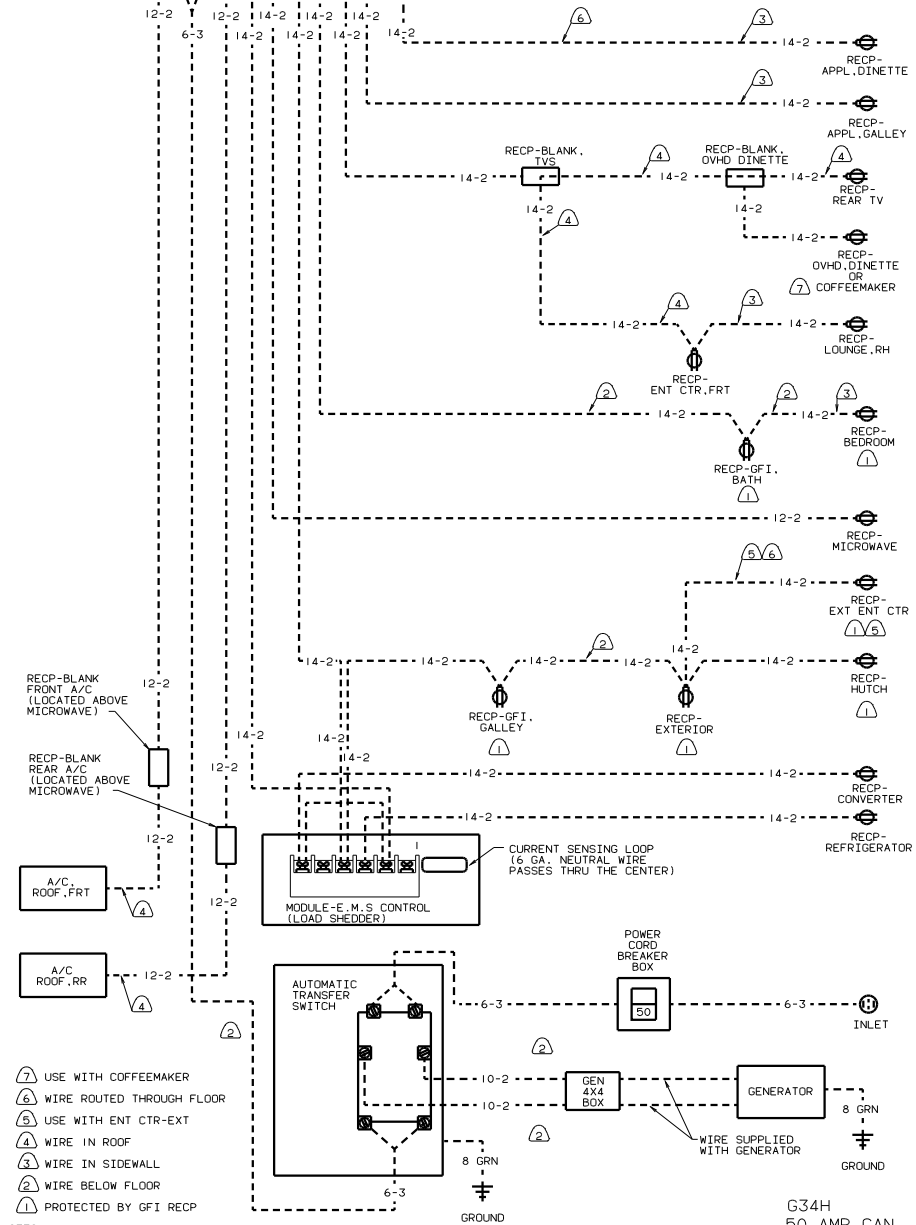
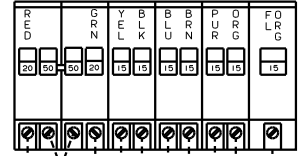


**CAUTION**

If you lack the skills, tools or equipment to perform diagnostic or repair work leave such work to an authorized Winnebago Industries dealer or other qualified shop.



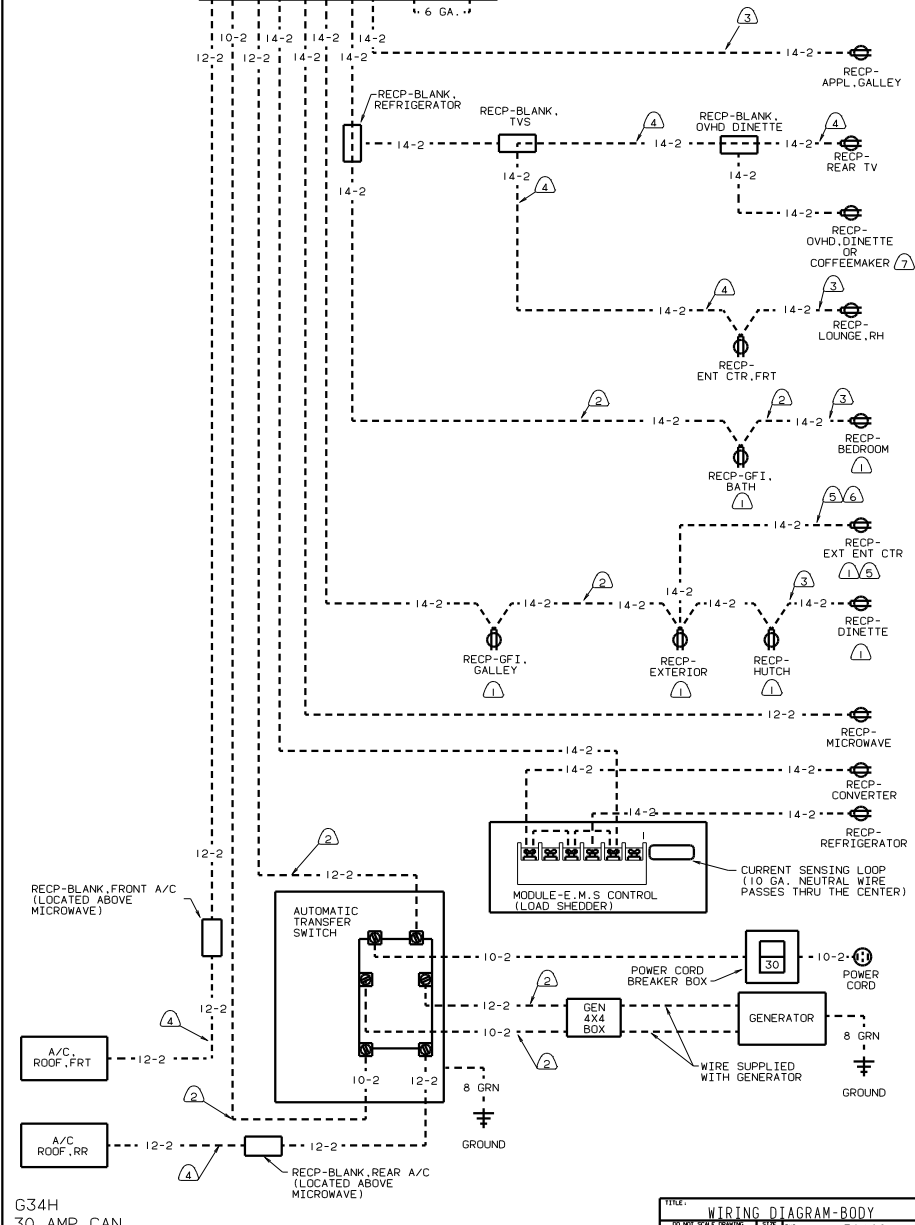
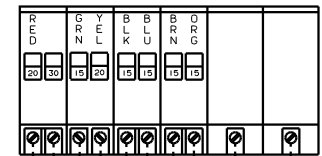
LOAD CENTER



- ⑦ USE WITH COFFEEMAKER
- ⑥ WIRE ROUTED THROUGH FLOOR
- ⑤ USE WITH ENT CTR-EXT
- ④ WIRE IN ROOF
- ③ WIRE IN SIDEWALL
- ② WIRE BELOW FLOOR
- ① PROTECTED BY GFI RECP

G34H 50 AMP CAN

LOAD CENTER



G34H 30 AMP CAN

WIRING DIAGRAM-BODY