



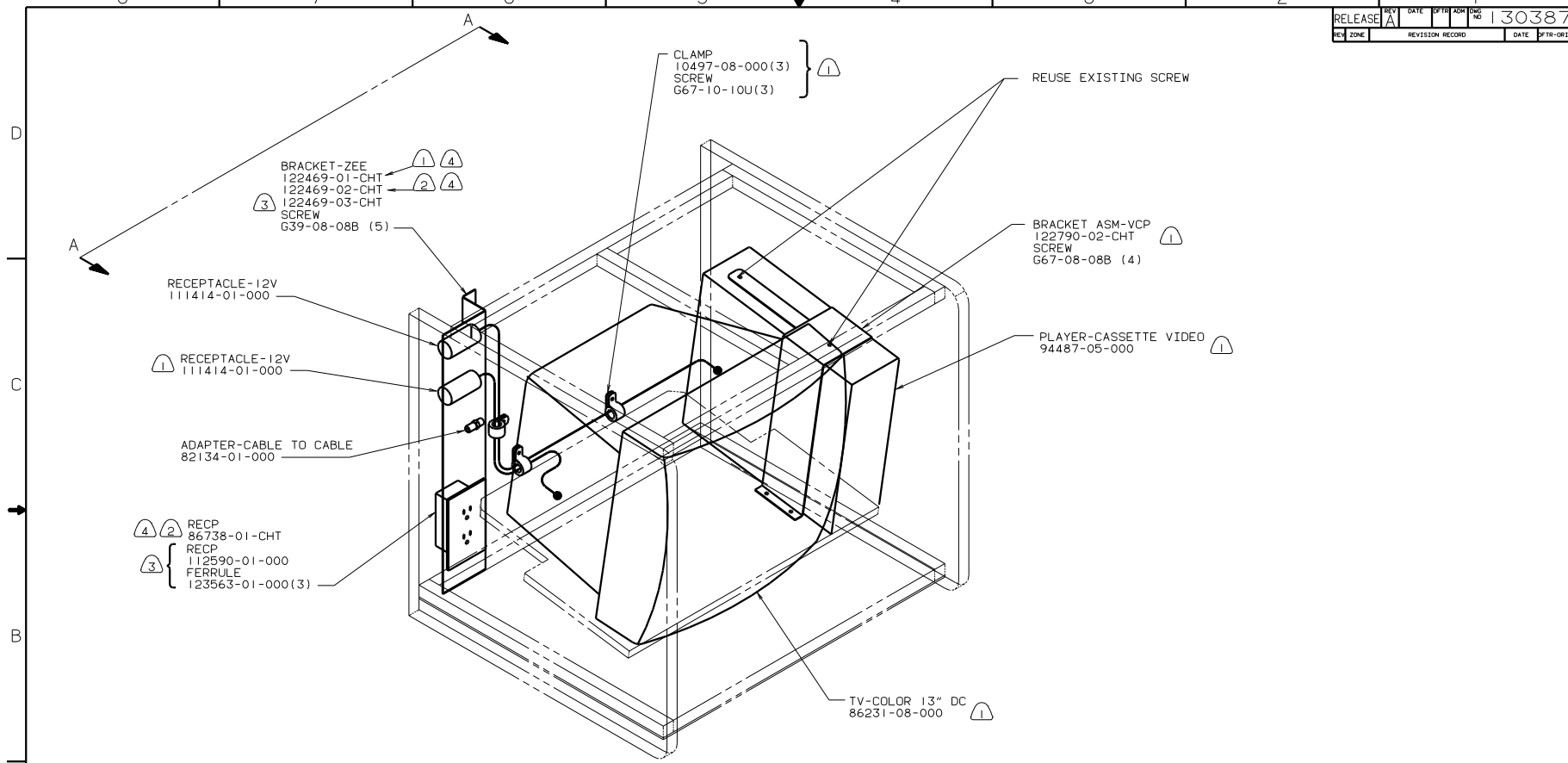
DANGER

Danger of electrical shock, burns or death. Always remove all power sources before attempting any repair, service or diagnostic work. Power can be present from shore power, generator, inverter or battery. All power sources must be disabled and secured before performing any service.



CAUTION

If you lack the skills, tools or equipment to perform diagnostic or repair work leave such work to an authorized Winnebago Industries dealer or other qualified shop.

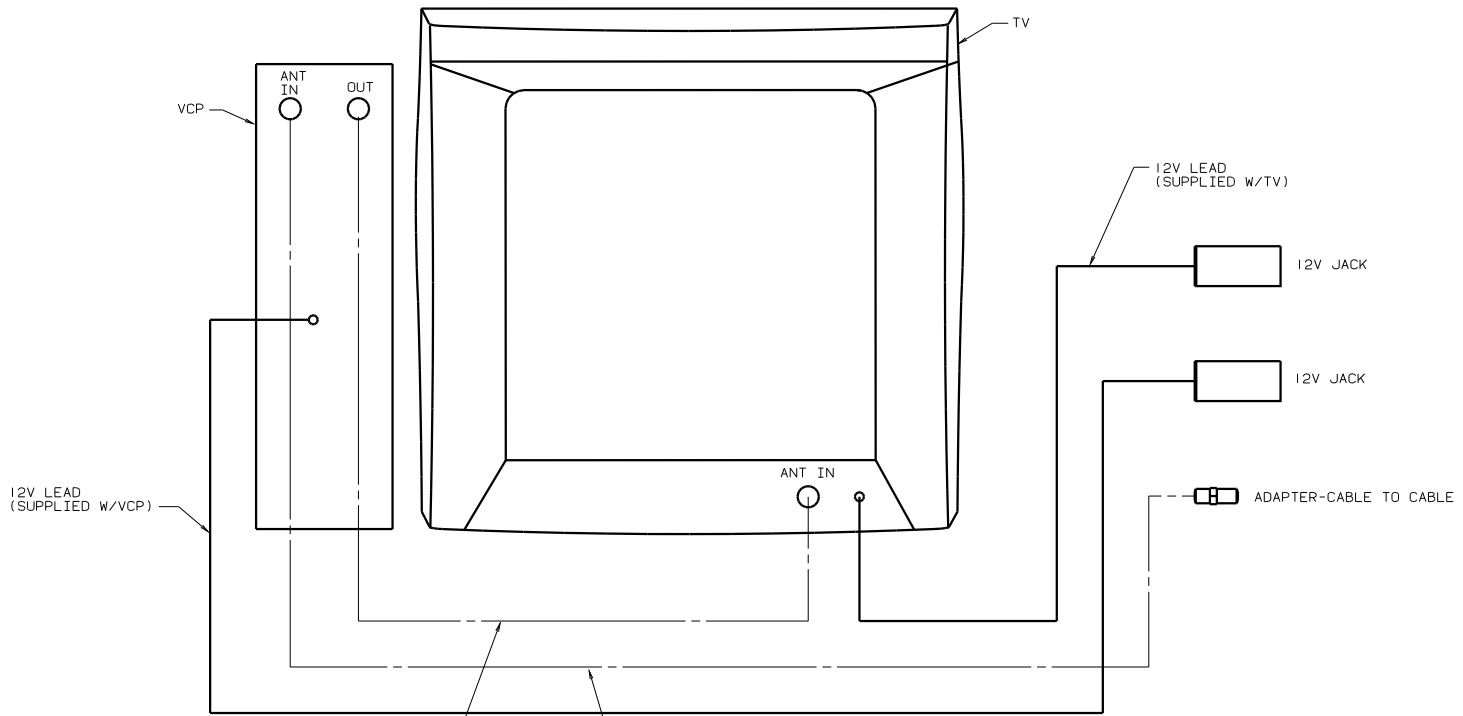


265 CODE STANDARDS-CSA
 1B1 CODE STANDARDS-USA
 78A TV-13", SIDE, W/VCP, 12V

- NOTES:
- ④. NOT USED WITH 03T EUROPEAN EXPORT PREP.
 - ③. 03T EUROPEAN EXPORT PREP.
 - ②. NOT USED WITH 78A TV-13" W/VCP, 12V.
 - ①. 78A TV-13" W/VCP, 12V.

		99 C-BODY											
		MATERIAL											
OF TR	DATE	UNSPECIFIED TOLERANCES ARE:	<table border="1"> <tr> <td>WHOLE DIM (X, Y)</td> <td>+</td> </tr> <tr> <td>ONE-PLACE (X, XX)</td> <td>+</td> </tr> <tr> <td>TWO-PLACE (X, XXX)</td> <td>+</td> </tr> <tr> <td>ANGLE</td> <td>+</td> </tr> <tr> <td>THIRD ANGLE PROJECTION</td> <td></td> </tr> </table>	WHOLE DIM (X, Y)	+	ONE-PLACE (X, XX)	+	TWO-PLACE (X, XXX)	+	ANGLE	+	THIRD ANGLE PROJECTION	
WHOLE DIM (X, Y)	+												
ONE-PLACE (X, XX)	+												
TWO-PLACE (X, XXX)	+												
ANGLE	+												
THIRD ANGLE PROJECTION													
CHGR	DATE	WHOLE DIM (X, Y)	+										
P E	DATE	ONE-PLACE (X, XX)	+										
N E	DATE	TWO-PLACE (X, XXX)	+										
DSGR	DATE	ANGLE	+										
LAYOUT NO. -----		TITLE: WIRING INSTL-TV/VCR, SIDE											
DIA #	SCALE, NONE	TO NEXT SCALE (ROUNDING)	SHEET NO										
ALL DIMENSIONS ARE IN MILLIMETERS		SHEET 1 OF 6	DRG NO 130387										

D
C
B
A



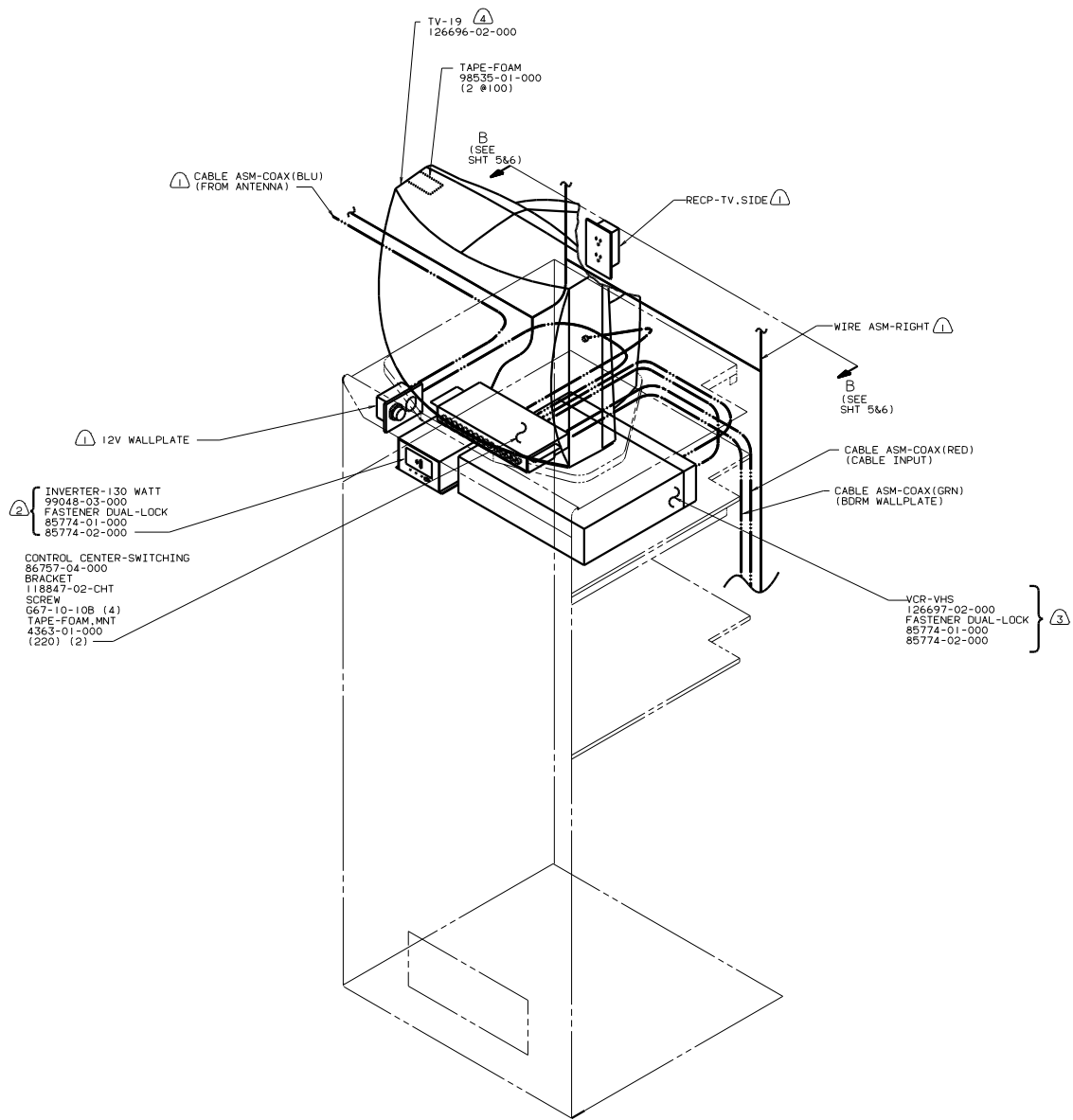
CABLE ASM-COAXIAL 87105-01-007

VIEW A-A

99 C-BODY
265 CODE STANDARDS-CSA
1B1 CODE STANDARDS-USA
78A TV-13',SIDE,W/VCP,12V

TITLE: WIRING INSTL-TV/VCR,SIDE			
DR	DATE	REV	BY
1			
SHEET 2 OF 6		DWG NO	130387

H
G
F
E
D
C
B
A

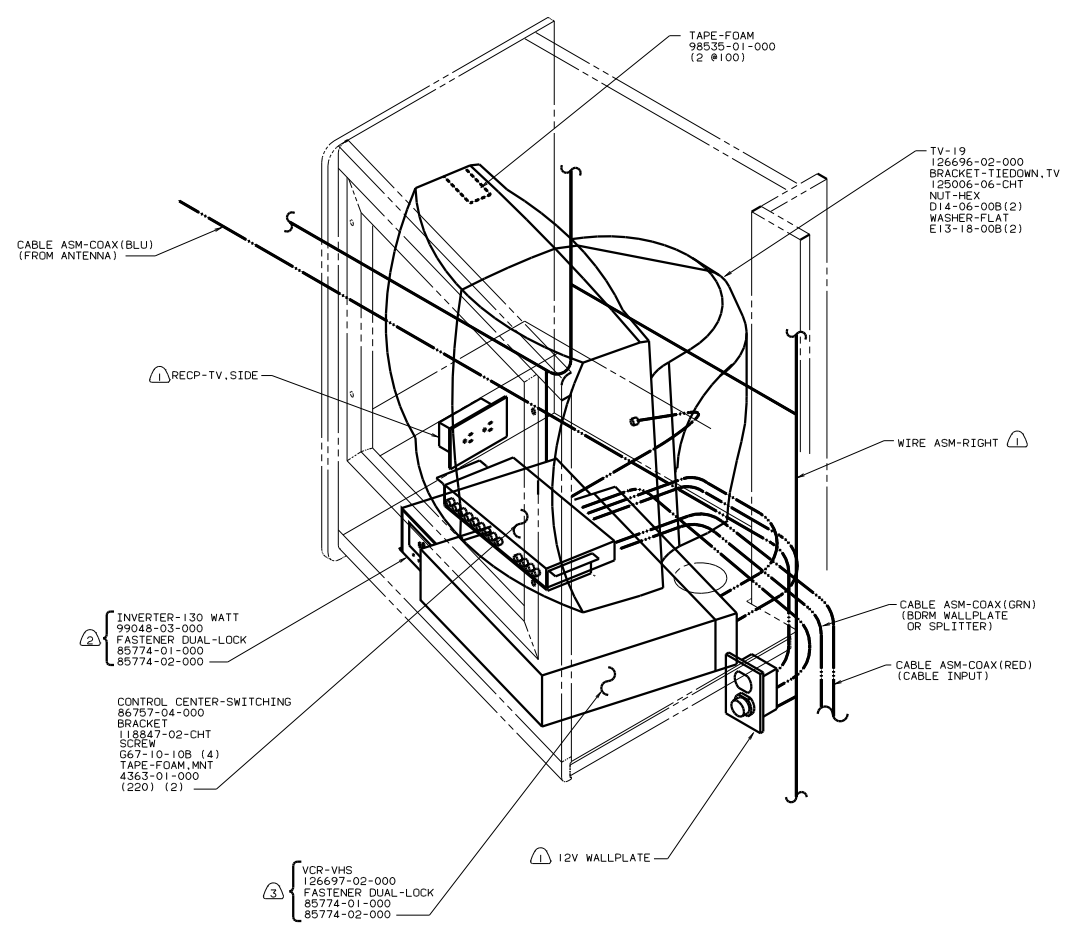


- ② INVERTER-130 WATT
99048-03-000
- FASTENER DUAL-LOCK
85774-01-000
85774-02-000
- CONTROL CENTER-SWITCHING
86757-04-000
- BRACKET
118847-02-CHT
- SCREW
567-10-10B (4)
- TAPE-FOAM, MNT
4363-01-000
(220) (2)

99 331C SIDE
ENTERTAINMENT CENTER
42T TV-19" W/SW-SYS
210 TV-19" W/SW-SYS AND VCR
265 CODE STANDARDS-CSA
1B1 CODE STANDSRDS-USA

- NOTES:
- ④ SEE CABINET ASM-SHELF-TV FOR TIEDOWNS.
 - ③ 210 TV-19" W/VCR/SWITCHING SYSTEM.
 - ② 40F INVERTER-DC/AC, 130W.
 - ① SEE WIRING INSTL-BODY FOR ADDITIONAL INFORMATION.

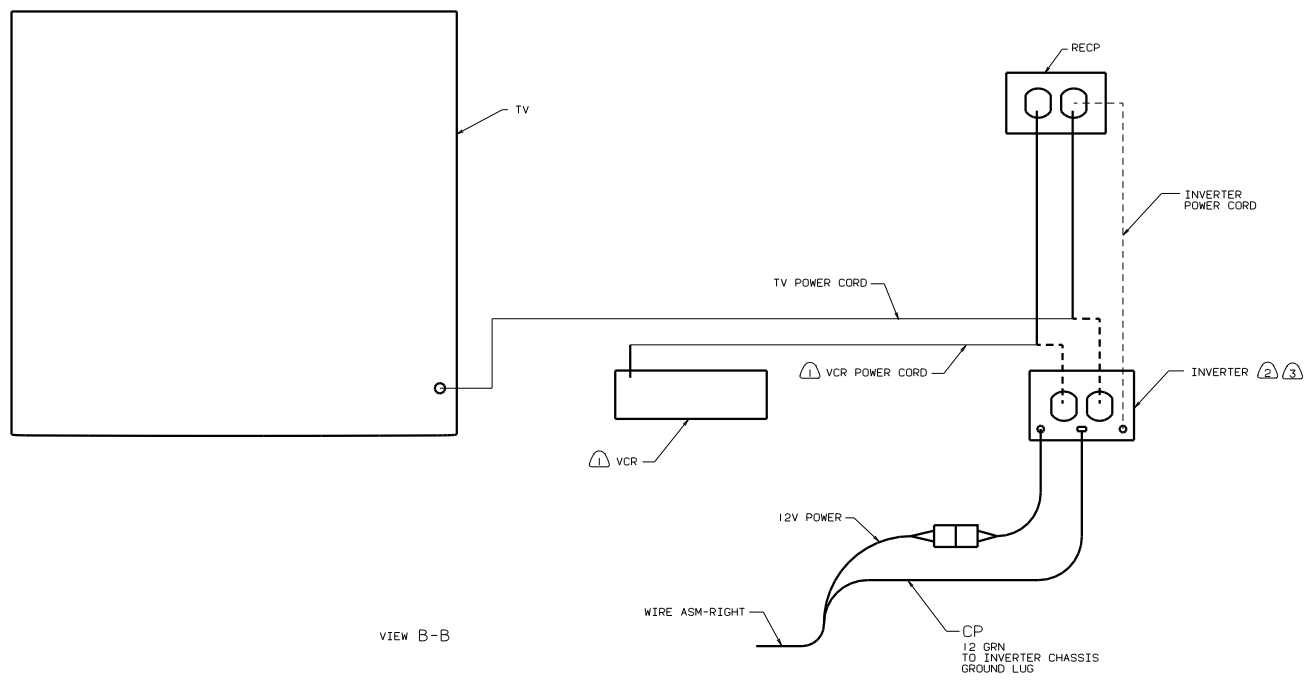
TITLE		REV	
WIRING INSTL-TV/VCR SIDE		1.0	
30 40 50 60 70 80 90	10 20 30 40 50 60 70 80 90	1 2 3 4 5 6	1 2 3 4 5 6
SHEET 3 OF 6		JOB NO 130387	



- ③ 210 TV-19" W/VCR/SWITCHING SYSTEM.
- ② 40F INVERTER-DC/AC, 130W.
- ① SEE WIRING INSTL-BODY FOR ADDITIONAL INFORMATION.

99 331T SIDE
 ENTERTAINMENT CENTER
 42T TV-19" W/SW-SYS
 210 TV-19" W/SW-SYS AND VCR
 265 CODE STANDARDS-CSA
 1B1 CODE STANDSRDS-USA

TITLE		REV	
WIRING INSTL-TV/VCR SIDE		1	
DO NOT SCALE DRAWING	DATE	DESIGNED BY	130387
SHEET 4 OF 6			



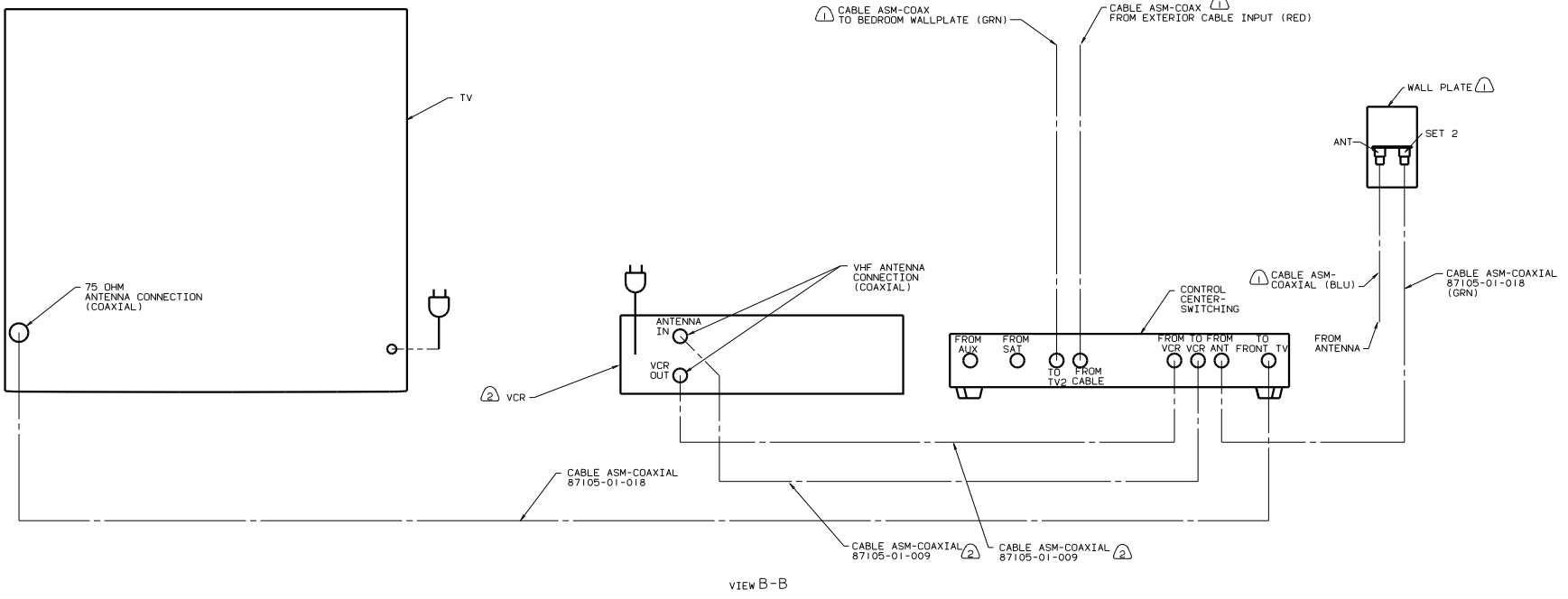
VIEW B-B

- ③ WITH 40F. PLUG TV OR (TV AND VCR) INTO INVERTER. PLUG INVERTER INTO RECP-ENTERTAINMENT CTR.
- ② 40F INVERTER-DC/AC-130W.
- ① 210 TV-19" W/VCR/SW SYS.

NOTES:

99 331WM & 331WT
 110V AND 12V
 42T TV-19" W/SW-SYS
 210 TV-19" W/SW-SYS AND VCR
 265 CODE STANDARDS-CSA
 1B1 CODE STANDARDS-USA

TITLE: WIRE INSTL-TV/VCR SIDE	
DATE: 04/04/05	REV: 1.0
SHEET: 5 OF 6	DWG NO: 130387



VIEW B-B

② 210 TV-19" W/VCR/SW SYS ONLY.
 ⚠ SEE WIRING INSTL-BODY FOR ADDITIONAL INFORMATION.

99 331C & 331T
 COAX CONNECTION
 42T TV-19" W/SW-SYS
 210 TV-19" W/SW-SYS AND VCR
 265 CODE STANDARDS-CSA
 1B1 CODE STANDARDS-USA

TITLE		WIRE INSTL-TV/VCR SIDE	
DATE	BY	CHK	NO
11/01/05	J.E.		
SHEET 6 OF 6		130387	