



**DANGER**

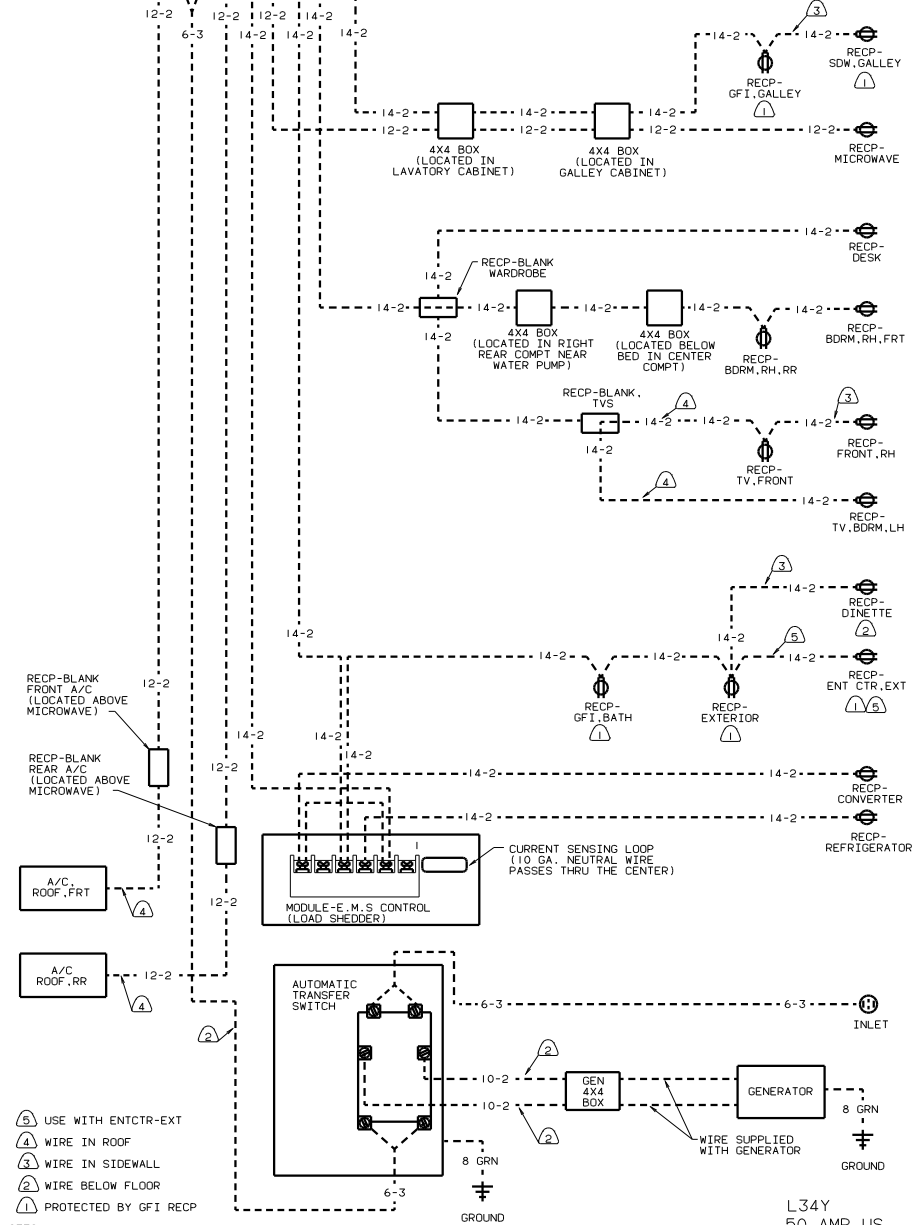
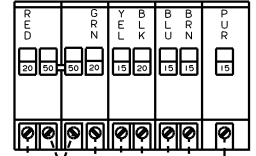
**Danger of electrical shock, burns or death.** Always remove all power sources before attempting any repair, service or diagnostic work. Power can be present from shore power, generator, inverter or battery. All power sources must be disabled and secured before performing any service.



**CAUTION**

If you lack the skills, tools or equipment to perform diagnostic or repair work leave such work to an authorized Winnebago Industries dealer or other qualified shop.

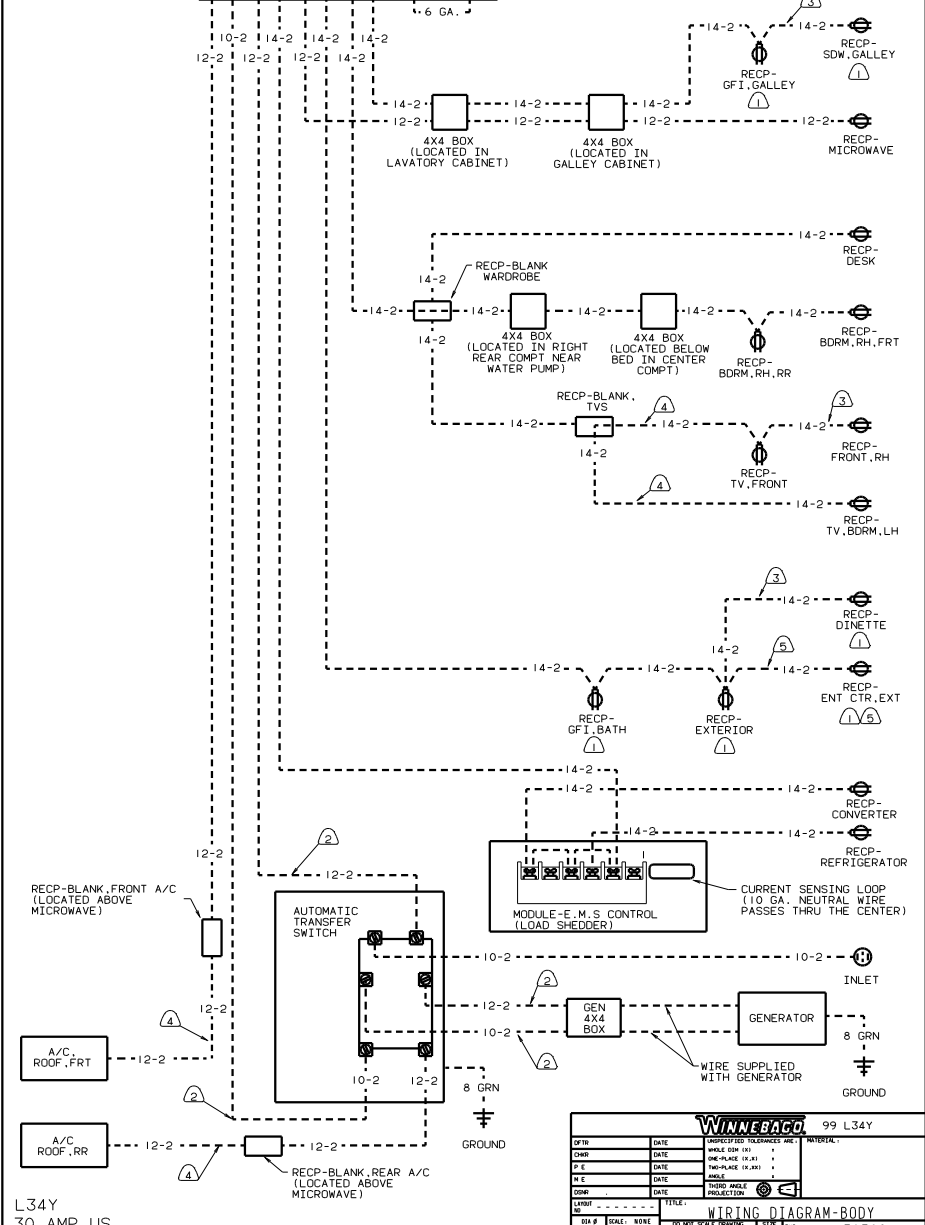
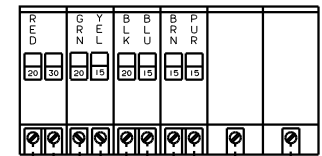
LOAD CENTER



- (5) USE WITH ENTCTR-EXT
- (4) WIRE IN ROOF
- (3) WIRE IN SIDEWALL
- (2) WIRE BELOW FLOOR
- (1) PROTECTED BY GFI RECP

L34Y  
50 AMP US

LOAD CENTER



L34Y  
30 AMP US

OP IN	DATE	UNDESIGNED TOLERANCES ARE	MATERIAL
CHK	DATE	WHOLE OR 1/2"	
APP	DATE	ONE-PLACE (1/2, 1/4)	
D/E	DATE	ANGLE	
CON	DATE	INDIC. W/OLE PROJECTION	

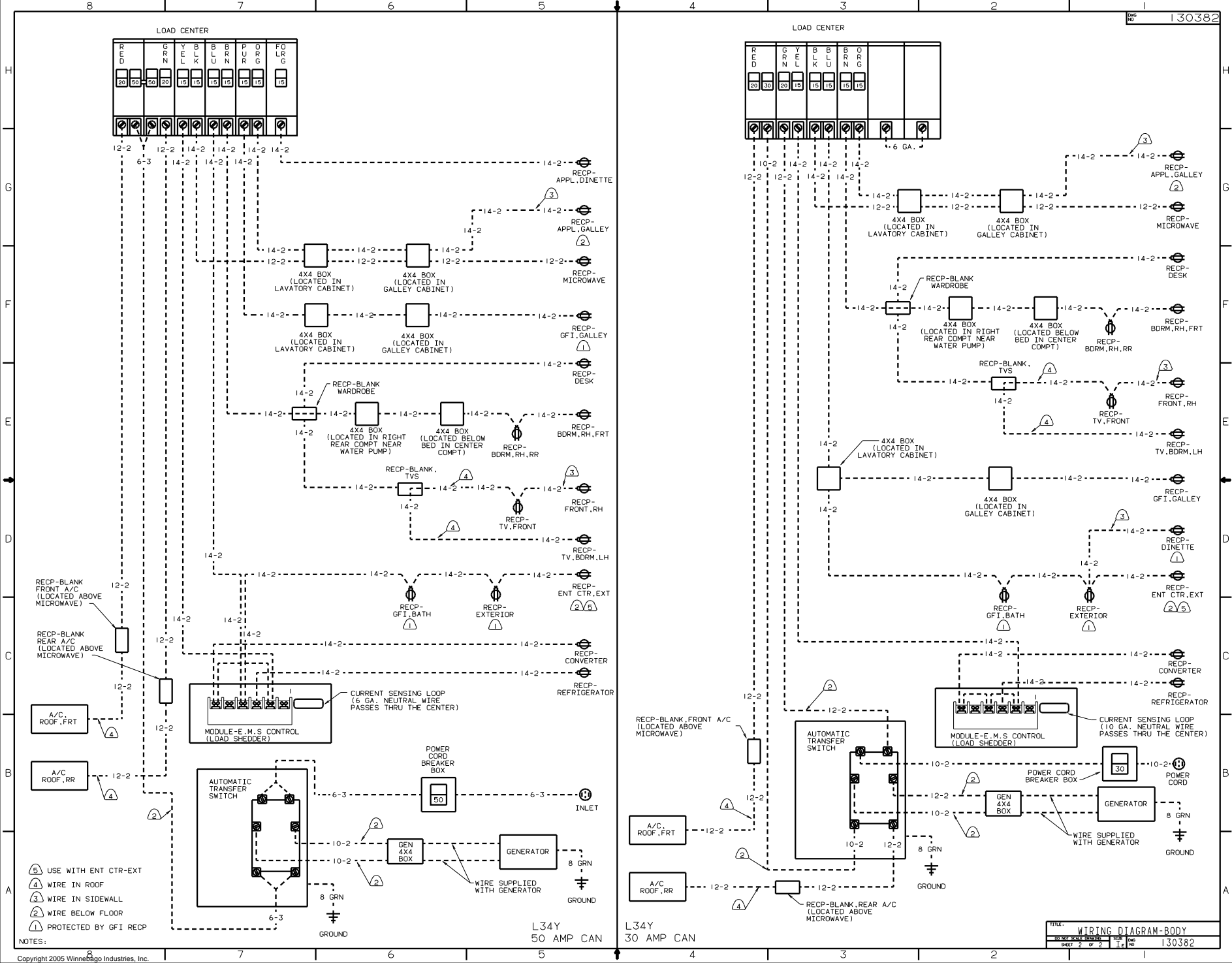
WINNEMAGO 99 L34Y

WIRING DIAGRAM-BODY

SHEET 1 OF 2

REF: 127682 B 1

130382



LOAD CENTER

LOAD CENTER

- NOTES:
- ⑤ USE WITH ENT CTR-EXT
  - ④ WIRE IN ROOF
  - ③ WIRE IN SIDEWALL
  - ② WIRE BELOW FLOOR
  - ① PROTECTED BY GFI RECIP

TITLE		WIRING DIAGRAM-BODY	
NO. OF SCALES	DATE	REV.	NO.
2	2	1	1
SHEET 2 OF 2		130382	